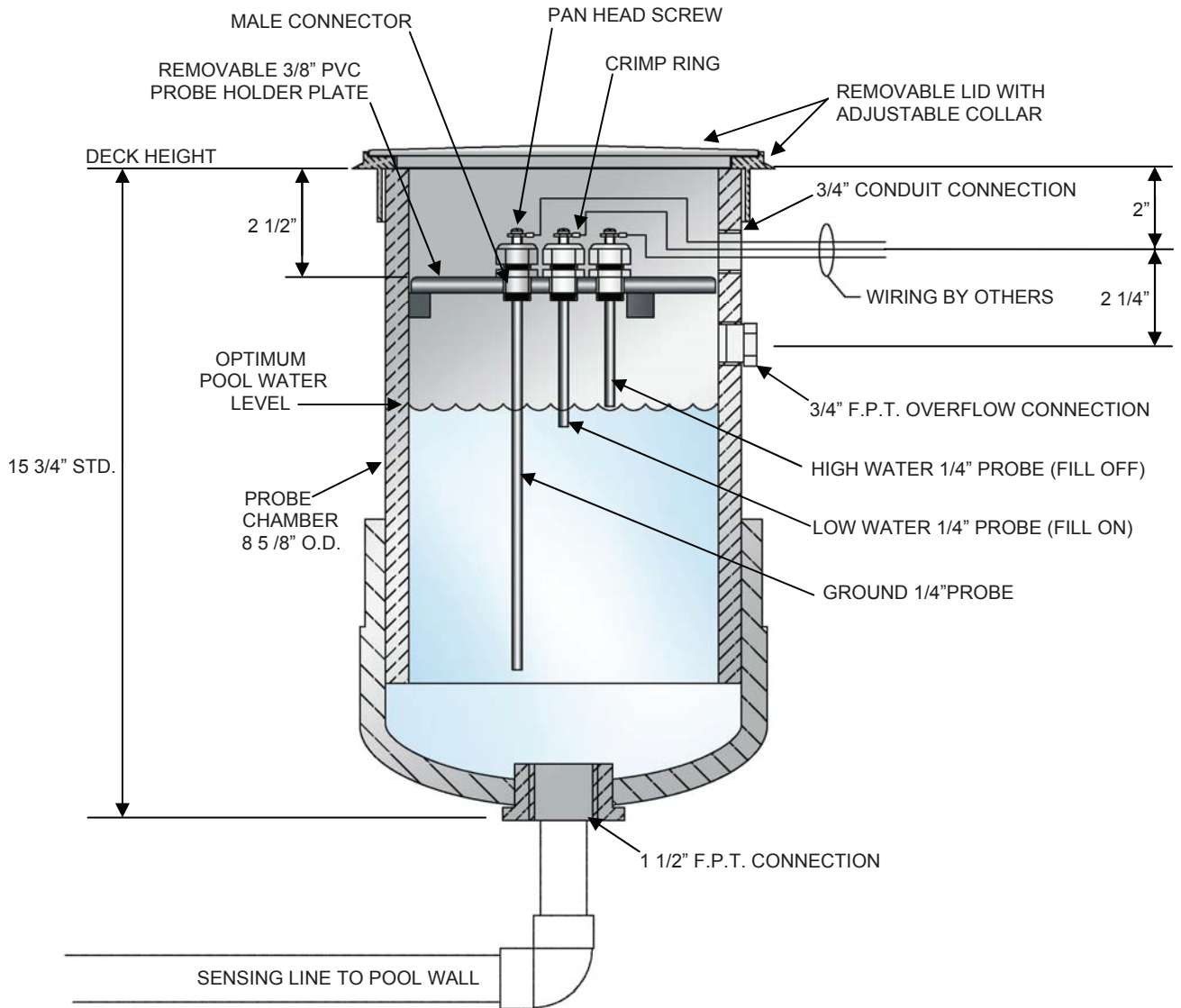


## Probe Chamber Assembly



- To be used in conjunction with automatic water level control assembly for pool make-up water.
- Probe lengths are to be adjusted according to size and gutter conditions.
- Standard probes supplied in 12" lengths and cut to suit in field.
- Specially designed probe holders allows for +/- 1/2" of elevation adjustment.

R-5/5/11

## **AUTOMATIC MAKE-UP WATER LEVEL CONTROLLER—WLC-100**

- A. Pool water level shall be maintained by an automatic make-up level controller Model WLC-100.
- B. Controller package shall consist of a PVC chamber to house stainless steel probes, a liquid level relay and delay timer, 110v 24-hour timer and terminal board.
- C. Water level shall be controlled by the use of a three-probe electrode system, one for high level, one for low level and one ground. Electrodes shall be T316 stainless steel connected to a UL approved probe holder. A mechanical linkage or float operated system will not be acceptable.
- D. Probes and holders shall be housed in a PVC chamber consisting of an 8", schedule 80 PVC pipe. Chamber shall be sized to accommodate desired range of water level variation and shall be complete with removable cover and adjustable collar suitable for deck level installation. A 1 ½", equalizing line shall be connected from the bottom of the chamber to the pool wall.
- E. Probes shall be mounted on a readily removable plastic disk within the chamber. Probe connectors shall be protected with 90° molded plastic holders. Probe holders allow for +/- ½" of elevation adjustment.
- F. Wiring from the probes shall be connected to a UL approved relay mounted within the Control Panel.
- G. A 24 hour, 110v time clock shall be provided to allow for variable time settings of operation for the WLC system. Clock shall be provided with a manual override.
- H. Solenoid valve size shall be as indicated on drawing, N.C., slow closing.

## **AUTOMATIC MAKE-UP WATER LEVEL CONTROLLER—WLC-300**

- A. Pool water level shall be maintained by an automatic water level controller Model WLC-300.
- B. Controller package shall consist of a PVC probe chamber, stainless steel probes, and a solid state relay with NEMA 1 enclosure. Unit shall be Neptune-Benson Model WLC-300 water level controller or approved equal.
- C. Water level shall be controlled by the use of a three probe electrode system; high level, low level and ground.
- D. Probes and holder shall be housed in a PVC chamber consisting of an 8" schedule 80 PVC pipe. The chamber is sized to accommodate the desired range of water level variation and shall be complete with a removable cover and adjustable collar suitable for deck level installation. A 1 ½" line shall be connected to the bottom of the probe chamber from the pool wall to reflect the water level in the pool.
- E. Probes shall be mounted on a readily removable plastic disc within the probe chamber. Probe connectors shall be protected with 90° molded plastic holders. Probe holders allow for +/- ½" of elevation adjustment.
- F. Wiring from the probes shall be connected to the relay that is to be mounted within a NEMA 1 enclosure.
- G. Unit shall be suitable to activate any 110 volt or 230 volt circuit for solenoid valve, pump or other method of providing makeup water.
- H. Solenoid valve size shall be as indicated on drawing, N.C., slow closing.