

FV-D Float Valve Dual Arm - Single Float



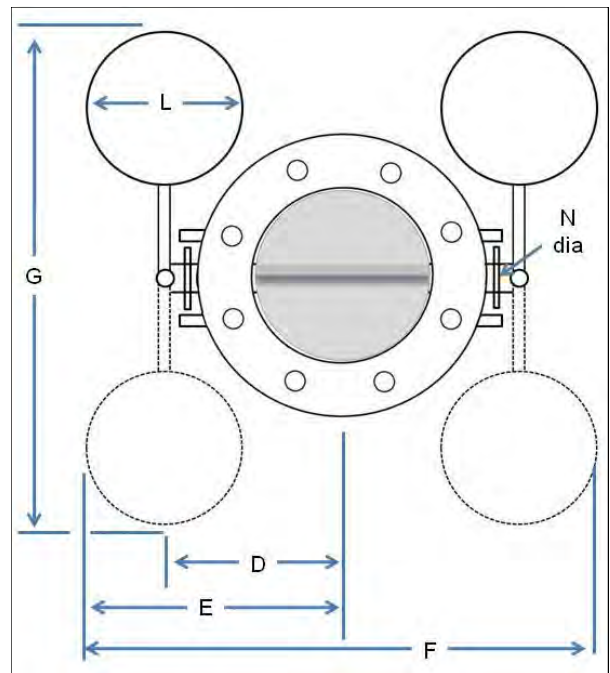
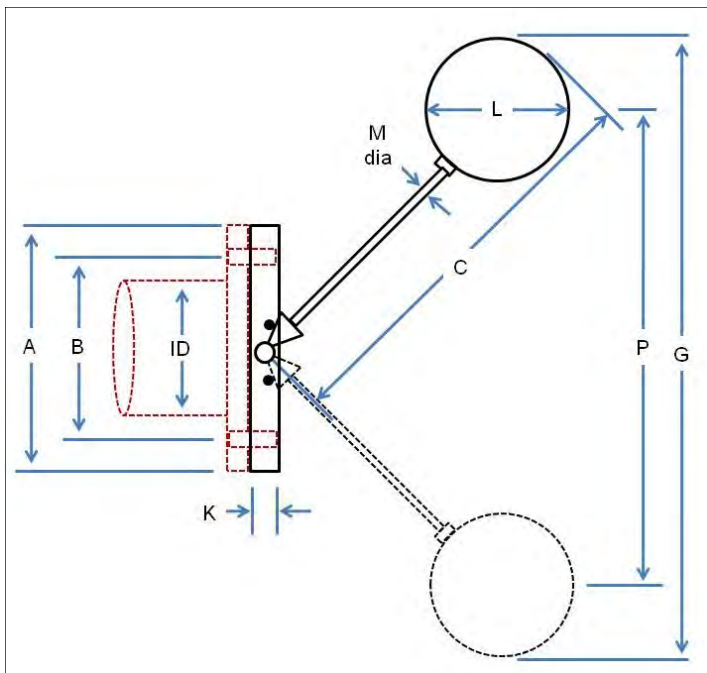
MATERIAL

- Valve body - corrosion grade Isophthalic Polyester
- Valve disc - corrosion grade Isophthalic Polyester
- Float Arm - Solid 316 SS
- Valve shaft - Solid 316 SS
- Hardware - 316 SS
- Float Ball - polyethylene

DESIGN

For end of open pipe installation only
 Not for in-line use
 For 4" through 12" pipe only
 Bolt pattern - ANSI 150


SS arm threaded 3/8" for float attachment
 Valve disc molded onto valve shaft
 Approximately 20% flow when closed



| ID | A | B | C | D | E | F | G | K | L | M | N | P |
|-----|---------|---------|-----|---------|---------|---------|-----|--------|----|------|------|-----|
| 4" | 9 1/2" | 7 1/2" | 23" | 6 5/8" | 10 1/8" | 20 1/4" | 34" | 1" | 8" | 3/8" | 1/2" | 26" |
| 6" | 11 1/2" | 9 1/2" | 23" | 7 5/8" | 11 1/8" | 22 1/4" | 34" | 1" | 8" | 3/8" | 1/2" | 26" |
| 8" | 14" | 11 3/4" | 23" | 8 7/8" | 12 3/8" | 24 3/4" | 34" | 1 1/2" | 8" | 5/8" | 3/4" | 26" |
| 10" | 16 1/2" | 14 1/4" | 23" | 9 7/8" | 13 3/8" | 26 3/4" | 34" | 1 1/2" | 8" | 5/8" | 3/4" | 26" |
| 12" | 19 1/2" | 17" | 23" | 11 3/8" | 14 7/8" | 29 3/4" | 39" | 1 1/2" | 8" | 5/8" | 3/4" | 31" |



FV-D-XWB Float Valve Dual Arm - Dual Float



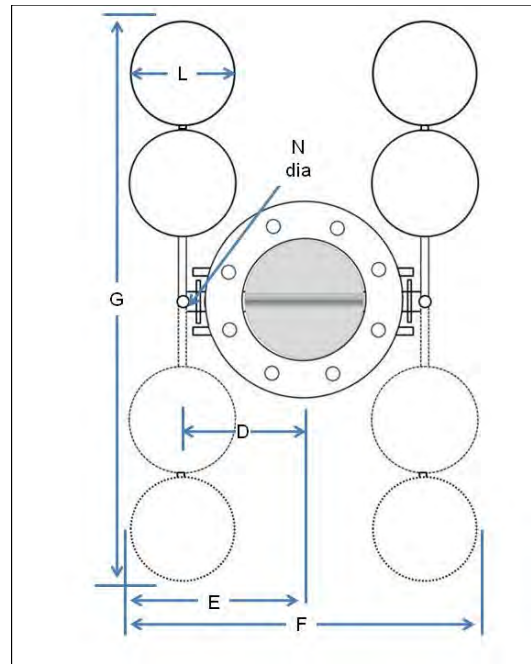
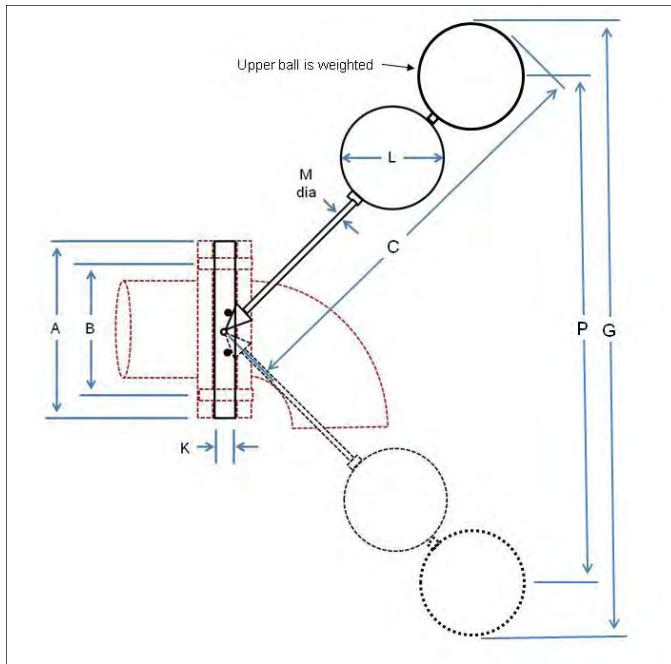
MATERIAL

- Valve body - corrosion grade Isophthalic Polyester
- Valve disc - corrosion grade Isophthalic Polyester
- Float Arm - Solid 316 SS
- Valve shaft - Solid 316 SS
- Hardware - 316 SS
- Float Ball - polyethylene

DESIGN

End of open pipe 14" and 16" only
 In-line installation 4" through 16"
 Bolt pattern - ANSI 150
 Valve disc molded onto valve shaft

SS arm threaded 3/8" for float attachment
 Approximately 20% flow when closed
 Upper float weighted to avoid valve lock



| ID | A | B | C | D | E | F | G | K | L | M | N | P |
|-----|---------|---------|-----|---------|---------|---------|-----|--------|----|------|------|-----|
| 4" | 9 1/2" | 7 1/2" | 32" | 6 5/8" | 10 1/8" | 20 1/4" | 48" | 1" | 8" | 3/8" | 1/2" | 40" |
| 6" | 11 1/2" | 9 1/2" | 32" | 7 5/8" | 11 1/8" | 22 1/4" | 48" | 1" | 8" | 3/8" | 1/2" | 40" |
| 8" | 14" | 11 3/4" | 32" | 8 7/8" | 12 3/8" | 24 3/4" | 48" | 1 1/2" | 8" | 5/8" | 3/4" | 40" |
| 10" | 16 1/2" | 14 1/4" | 32" | 9 7/8" | 13 3/8" | 26 3/4" | 48" | 1 1/2" | 8" | 5/8" | 3/4" | 40" |
| 12" | 19 1/2" | 17" | 32" | 11 3/8" | 14 7/8" | 29 3/4" | 53" | 1 1/2" | 8" | 5/8" | 3/4" | 45" |
| 14" | 21 1/2" | 18 3/4" | 32" | 12 3/8" | 15 7/8" | 31 3/4" | 53" | 1 1/2" | 8" | 5/8" | 3/4" | 45" |
| 16" | 24" | 21 1/4" | 32" | 13 3/8" | 16 7/8" | 33 3/4" | 53" | 2" | 8" | 5/8" | 3/4" | 45" |



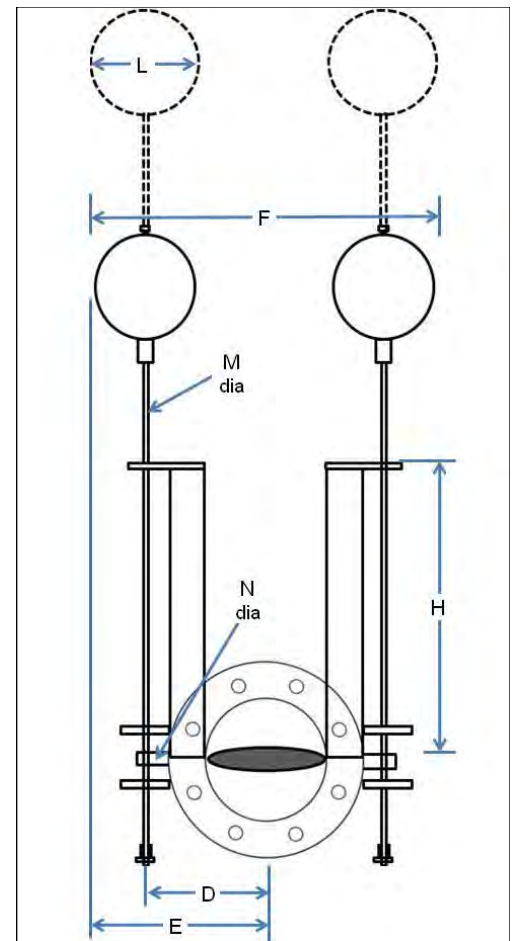
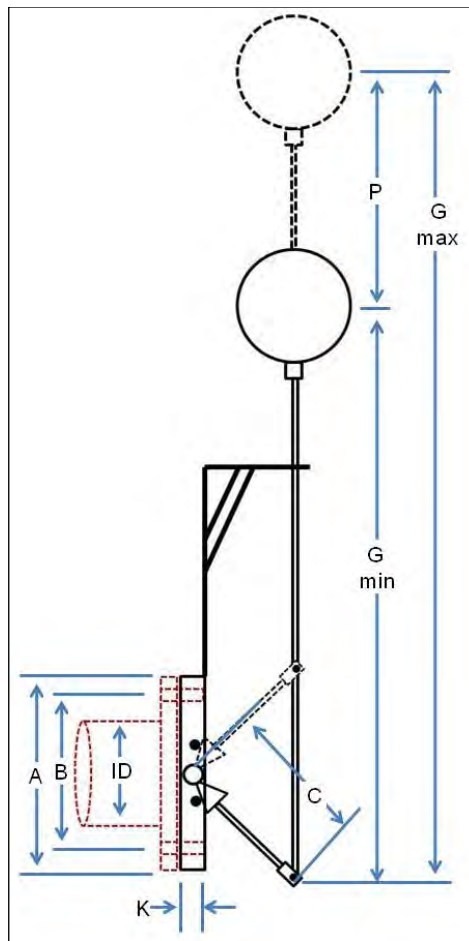
FV-DP Float Valve Dual Arm - Single Float - Pivot

MATERIAL

Valve body - corrosion grade Isophthalic Polyester
 Valve disc - corrosion grade Isophthalic Polyester
 Float Arm - Solid 316 SS
 Valve shaft - Solid 316 SS
 Hardware - 316 SS
 Float Ball - polyethylene

DESIGN

End of open pipe installation only
 For 4" through 10" pipe only
 Not for in line installation
 Bolt pattern - ANSI 150
 Float arm threaded 3/8" for float
 Valve disc molded onto valve shaft
 Approximately 20% flow when fully closed



| ID | A | B | C | D | E | F | G min | G max | H | K | L | M | N | P |
|-----|---------|---------|----|--------|---------|---------|-------|-------|---------|--------|----|------|------|-----|
| 4" | 9 1/2" | 7 1/2" | 8" | 6 5/8" | 10 1/8" | 20 1/4" | 36" | 54" | 26" | 1" | 8" | 3/8" | 1/2" | 18" |
| 6" | 11 1/2" | 9 1/2" | 8" | 7 5/8" | 11 1/8" | 22 1/4" | 36" | 54" | 25 1/2" | 1" | 8" | 3/8" | 1/2" | 18" |
| 8" | 14" | 11 3/4" | 8" | 8 7/8" | 12 3/8" | 24 3/4" | 36" | 54" | 25" | 1 1/2" | 8" | 5/8" | 3/4" | 18" |
| 10" | 16 1/2" | 14 1/4" | 8" | 9 7/8" | 13 3/8" | 26 3/4" | 36" | 54" | 24 1/2" | 1 1/2" | 8" | 5/8" | 3/4" | 18" |



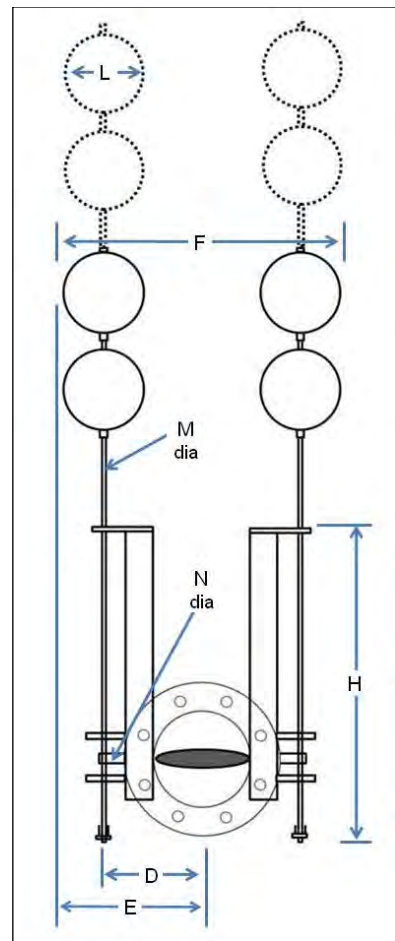
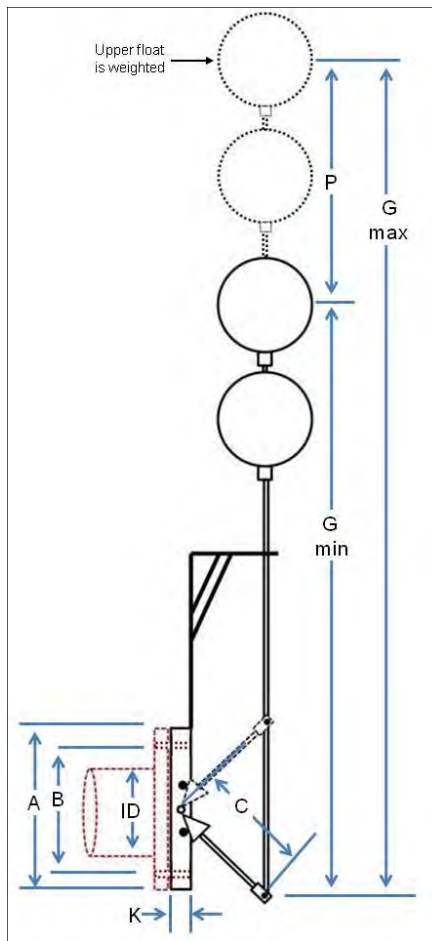
FV-DP-XWB Float Valve Dual Arm - Dual Float - Pivot

MATERIAL

- Valve body - corrosion grade Isophthalic Polyester
- Valve disc - corrosion grade Isophthalic Polyester
- Float Arm - Solid 316 SS
- Valve shaft - Solid 316 SS
- Hardware - 316 SS
- Float Ball - polyethylene

DESIGN

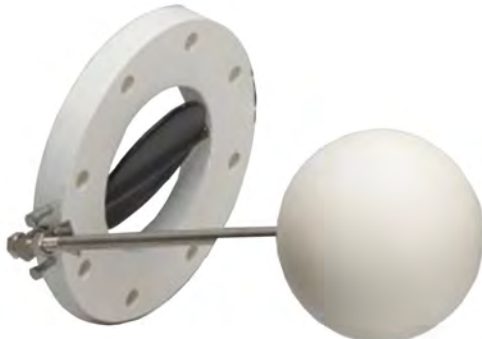
- In line and end-of-pipe installation
- For 4" through 16" pipe
- Bolt pattern - ANSI 150
- Float arm threaded 3/8" for float
- Valve disc molded onto valve shaft
- Approximately 20% flow when fully closed
- Inner float weighted to avoid valve lock



| ID | A | B | C | D | E | F | G min | G max | H | K | L | M | N | P |
|-----|---------|---------|----|---------|---------|---------|-------|-------|---------|--------|----|------|------|-----|
| 4" | 9 1/2" | 7 1/2" | 8" | 6 5/8" | 10 1/2" | 21" | 36" | 46" | 26" | 1" | 8" | 3/8" | 1/2" | 10" |
| 6" | 11 1/2" | 9 1/2" | 8" | 7 5/8" | 11 1/8" | 22 1/4" | 36" | 46" | 25 1/2" | 1" | 8" | 3/8" | 1/2" | 10" |
| 8" | 14" | 11 3/4" | 8" | 8 7/8" | 12 3/8" | 24 3/4" | 36" | 46" | 25" | 1 1/2" | 8" | 5/8" | 3/4" | 10" |
| 10" | 16 1/2" | 14 1/4" | 8" | 9 7/8" | 13 3/8" | 26 3/4" | 36" | 46" | 24 1/2" | 1 1/2" | 8" | 5/8" | 3/4" | 10" |
| 12" | 19 1/2" | 17" | 8" | 11 3/8" | 15 1/8" | 29 3/4" | 36" | 46" | 24" | 1 1/2" | 8" | 5/8" | 3/4" | 10" |
| 14" | 21 1/2" | 18 3/4" | 8" | 12 3/8" | 15 7/8" | 31 3/4" | 36" | 46" | 23 1/2" | 1 1/2" | 8" | 5/8" | 3/4" | 10" |
| 16" | 24" | 21 1/4" | 8" | 13 3/8" | 16 7/8" | 33 3/4" | 36" | 46" | 24" | 2" | 8" | 5/8" | 3/4" | 10" |



FV-S Float Valve Single Arm - Single Float



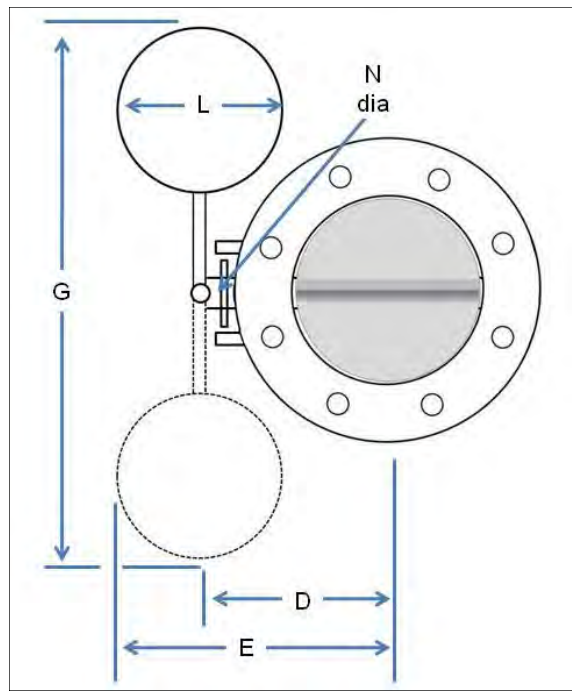
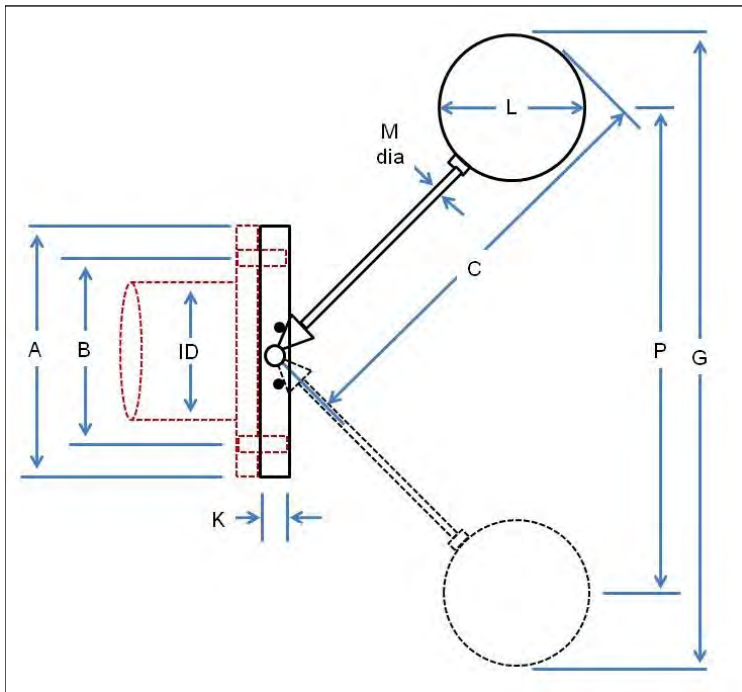
MATERIAL

- Valve body - corrosion grade Isophthalic Polyester
- Valve disc - corrosion grade Isophthalic Polyester
- Float Arm - Solid 316 SS
- Valve shaft - Solid 316 SS
- Hardware - 316 SS
- Float Ball - polyethylene

DESIGN

For end of open pipe installation only
Not for in-line use
For 4", 6" and 8" pipe only
Bolt pattern - ANSI 150


SS arm threaded 3/8" for float attachment
Valve disc molded onto valve shaft
Approximately 20% flow when closed
Arm located on left (looking into flow)



| ID | A | B | C | D | E | G | K | L | M | N | P |
|----|---------|---------|-----|--------|---------|-----|--------|----|------|------|-----|
| 4" | 9 1/2" | 7 1/2" | 23" | 6 5/8" | 10 1/8" | 34" | 1" | 8" | 3/8" | 1/2" | 26" |
| 6" | 11 1/2" | 9 1/2" | 23" | 7 5/8" | 11 1/8" | 34" | 1" | 8" | 3/8" | 1/2" | 26" |
| 8" | 14" | 11 3/4" | 23" | 8 7/8" | 12 3/8" | 34" | 1 1/2" | 8" | 5/8" | 3/4" | 26" |



FV-S-XWB Float Valve Single Arm - Dual Float



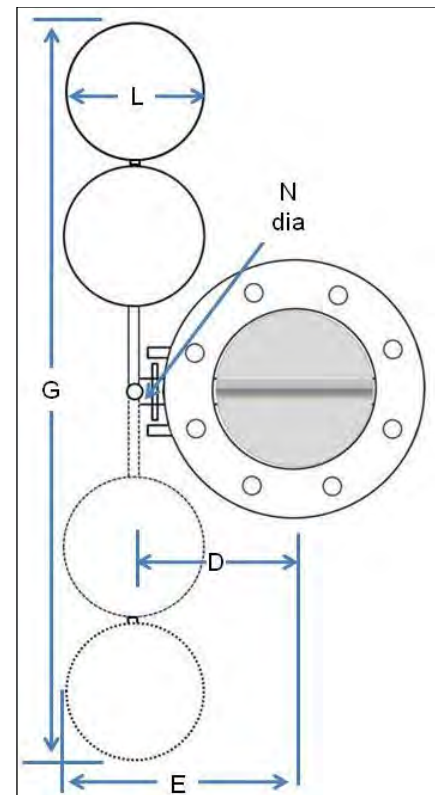
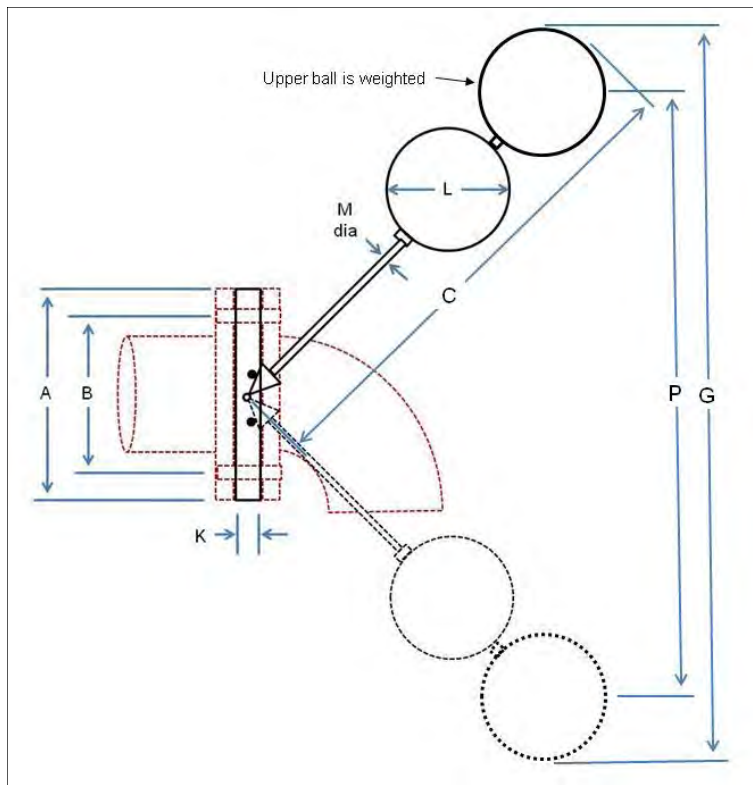
MATERIAL

- Valve body - corrosion grade Isophthalic Polyester
- Valve disc - corrosion grade Isophthalic Polyester
- Float Arm - Solid 316 SS
- Valve shaft - Solid 316 SS
- Hardware - 316 SS
- Float Ball - polyethylene

DESIGN

In line installation only
 Not for end of pipe installation
 4", 6" and 8" only
 Bolt pattern - ANSI 150
 Valve disc molded onto valve shaft

SS arm threaded 3/8" for float attachment
 Approximately 20% flow when closed
 Upper float weighted to avoid valve lock
 Arm on left (looking into flow)



| ID | A | B | C | D | E | G | K | L | M | N | P |
|----|---------|---------|-----|--------|---------|-----|--------|----|------|------|-----|
| 4" | 9 1/2" | 7 1/2" | 32" | 6 5/8" | 10 1/8" | 48" | 1" | 8" | 5/8" | 3/4" | 40" |
| 6" | 11 1/2" | 9 1/2" | 32" | 7 5/8" | 11 1/8" | 48" | 1" | 8" | 5/8" | 3/4" | 40" |
| 8" | 14" | 11 3/4" | 32" | 8 7/8" | 12 3/8" | 48" | 1 1/2" | 8" | 5/8" | 3/4" | 40" |



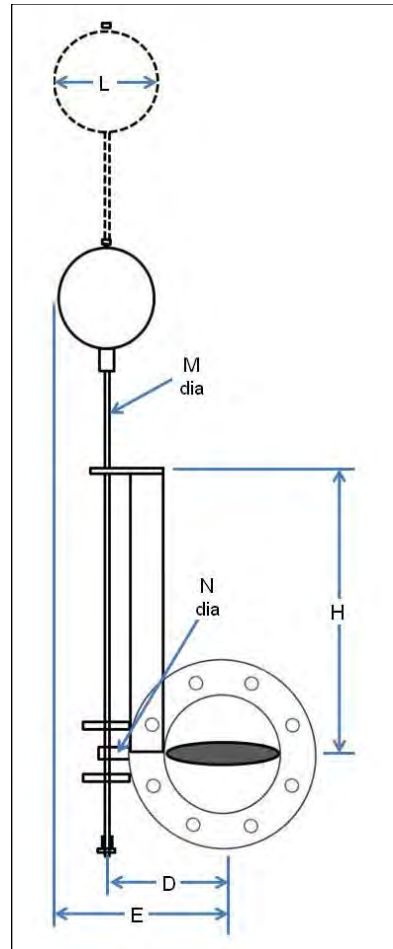
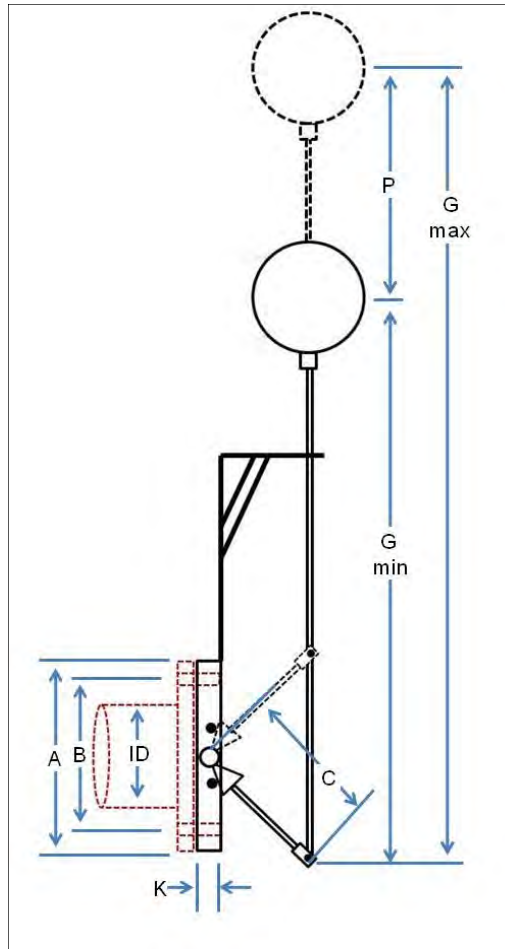
FV-SP Float Valve Single Arm - Single Float - Pivot

MATERIAL

Valve body - corrosion grade Isophthalic Polyester
 Valve disc - corrosion grade Isophthalic Polyester
 Float Arm - Solid 316 SS
 Valve shaft - Solid 316 SS
 Hardware - 316 SS
 Float Ball - polyethylene

DESIGN

End of open pipe installation only
 For 4", 6" and 8" only
 Not for in line installation
 Bolt pattern - ANSI 150
 Float arm threaded 3/8" for float
 Valve disc molded onto valve shaft
 Approximately 20% flow when fully closed



| ID | A | B | C | D | E | G min | G max | H | K | L | M | N | P |
|----|---------|---------|----|--------|---------|-------|-------|---------|--------|----|------|------|-----|
| 4" | 9 1/2" | 7 1/2" | 8" | 6 5/8" | 10 1/8" | 36" | 54" | 26" | 1" | 8" | 3/8" | 1/2" | 18" |
| 6" | 11 1/2" | 9 1/2" | 8" | 7 5/8" | 11 1/8" | 36" | 54" | 25 1/2" | 1" | 8" | 3/8" | 1/2" | 18" |
| 8" | 14" | 11 3/4" | 8" | 8 7/8" | 12 3/8" | 36" | 54" | 25" | 1 1/2" | 8" | 5/8" | 3/4" | 18" |



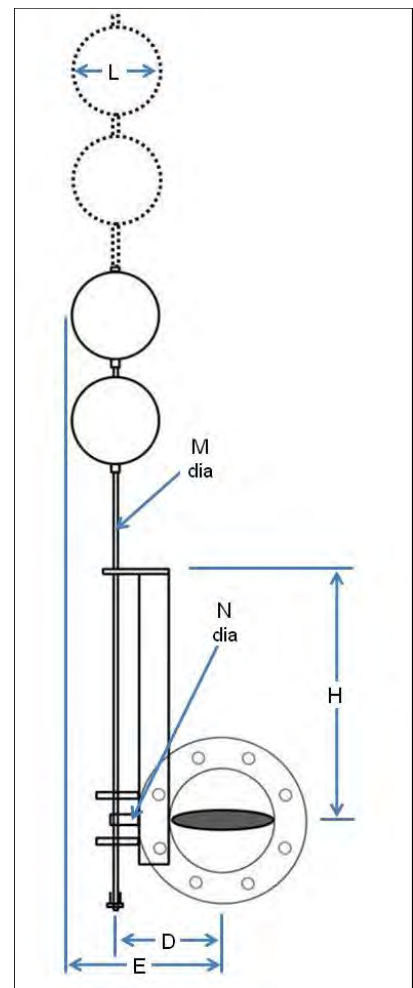
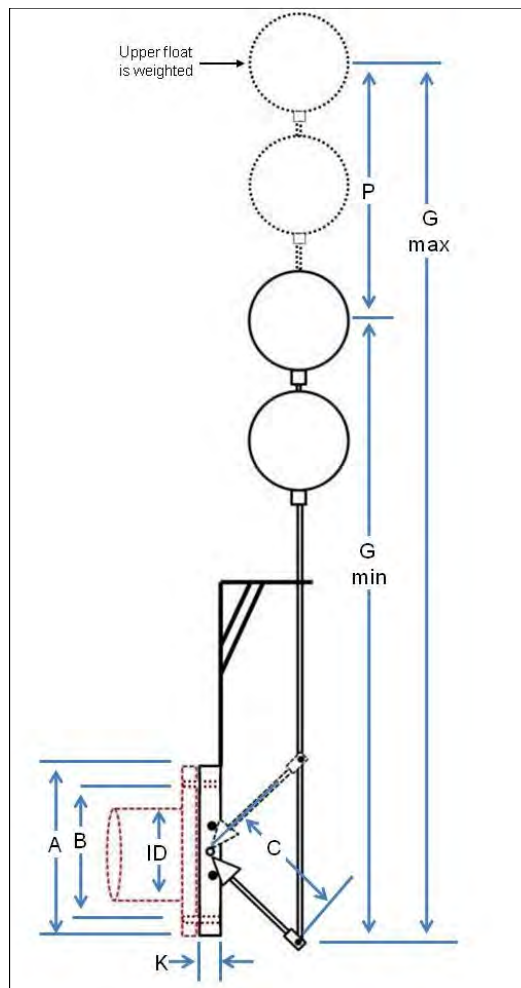
FV-SP-XWB Float Valve Single Arm - Dual Float - Pivot

MATERIAL

Valve body - corrosion grade Isophthalic Polyester
 Valve disc - corrosion grade Isophthalic Polyester
 Float Arm - Solid 316 SS
 Valve shaft - Solid 316 SS
 Hardware - 316 SS
 Float Ball - polyethylene

DESIGN

In line installation only
 4", 6" and 8" only
 Bolt pattern - ANSI 150
 Float arm threaded 3/8" for float
 Valve disc molded onto valve shaft
 Approximately 20% flow when fully closed
 Upper float weighted to avoid valve lock
 Arm on left (looking into flow)



| ID | A | B | C | D | E | F | G min | G max | H | K | L | M | N | P |
|----|---------|---------|----|--------|---------|---------|-------|-------|---------|--------|----|------|------|-----|
| 4" | 9 1/2" | 7 1/2" | 8" | 6 5/8" | 10 1/8" | 21" | 36" | 54" | 26" | 1" | 8" | 3/8" | 1/2" | 18" |
| 6" | 11 1/2" | 9 1/2" | 8" | 7 5/8" | 11 1/8" | 22 1/4" | 36" | 54" | 25 1/2" | 1" | 8" | 3/8" | 1/2" | 18" |
| 8" | 14" | 11 3/4" | 8" | 8 7/8" | 12 3/8" | 24 3/4" | 36" | 54" | 25" | 1 1/2" | 8" | 5/8" | 3/4" | 18" |

