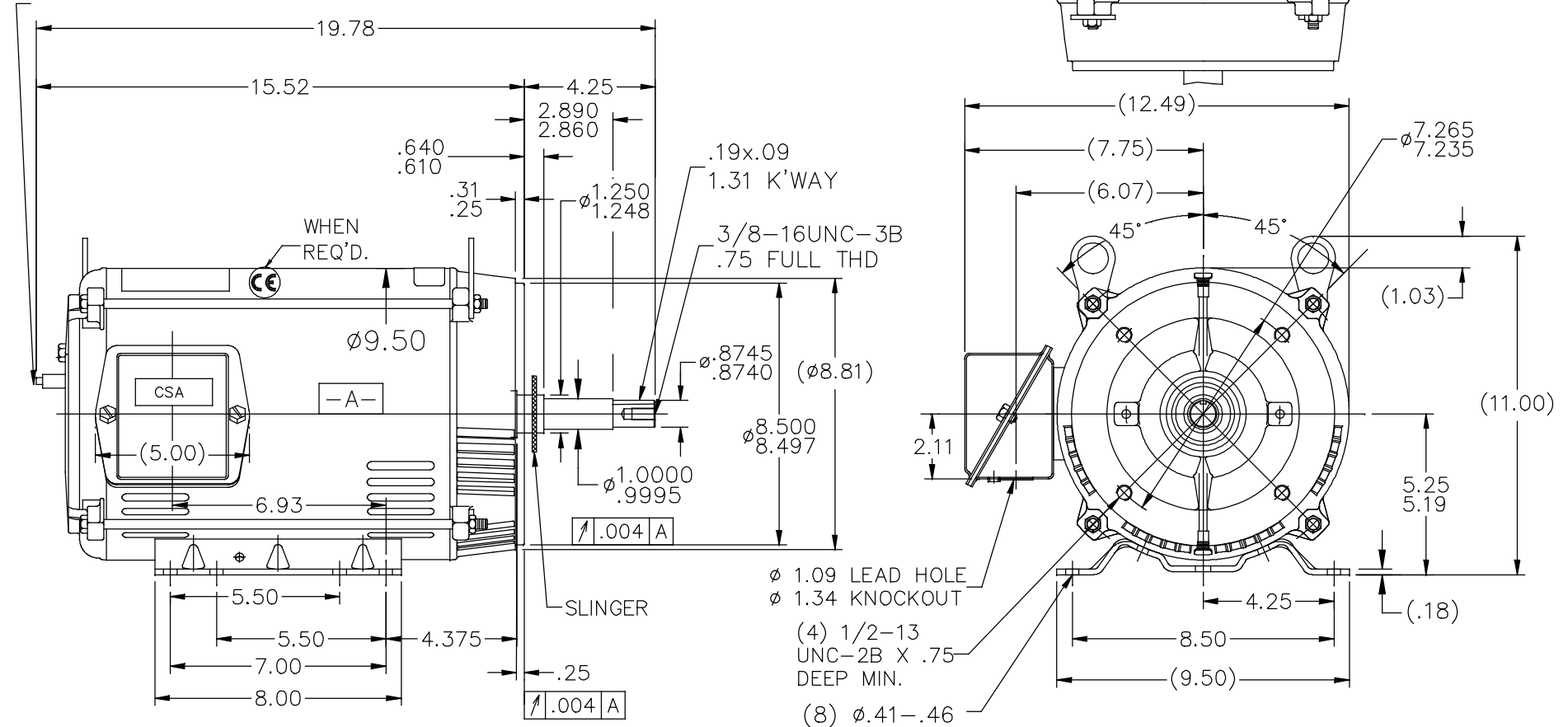


ADD THE UNPAINTED BONDING LUG TO THE ODE ENDBELL

OLCEQK1500



NOTES:

1. NAMEPLATE TO BE READ FROM C'BOX SIDE OF MOTOR.
2. BOX CAN BE MOUNTED IN 90° STEPS.
3. BOX CAN BE MOUNTED ON OPPOSITE SIDE BY REMOVING BRACKETS AND TURNING FRAME 180°. (EXCEPT AS NOTED)

		TOLERANCES UNLESS SPECIFIED		REGAL™ Regal Beloit America, Inc.		DRAWN MVG 08/01/2017	
		DEC.	INCHES			CHK	MSD 08/01/2017
		.X	±.1	TITLE OUTLINE		APPD	MSD 08/01/2017
		.XX	±.03	210JM FR.-BB-TS-DR.PR.-C' FACE		SCALE	1=5
		.XXX	±.005	MAT'L.		REF	038097
A	NEW DRAWING	MVG 08/01/17	MSD .XXXX	±.0005	FINISH	PREV	
NO.	REVISION	BY & DATE	CHK	ANG	±7'30"		
THIS DRAWING IN DESIGN AND DETAIL IS OUR PROPERTY AND MUST NOT BE USED EXCEPT IN CONNECTION WITH OUR WORK ALL RIGHTS OF DESIGN AND INVENTION ARE RESERVED THIS IS AN ELECTRONICALLY GENERATED DOCUMENT - DO NOT SCALE THIS PRINT			RFP	CAD FILE OLCEQK1500		SIZE	DRAWING NO. PAGE OF REV.
			DIST LB			A	OLCEQK1500 A