

U.S. Patent Nos.  
 Brevets américains n°  
 Patente de EE. UU. n.°  
 6,685,285; 6,792,661; 6,793,299; 7,029,078;  
 7,223,317; 7,278,695; 7,510,249; 7,699,412;  
 7,789,471; 8,113,602



**Watch the installation video!**  
**Voir la vidéo d'installation.**  
**Revise el video de instalación.**

# Installation

## Lenox® Lockers Casiers Lenox® Casilleros Lenox®

(includes Cubby & "Z" Lockers)  
 (comprend les casiers ouverts et « Z »)  
 (incluye casilleros de cubículos y "Z")

### Table of Contents

Pre-Installation Information . . . . .	3
Hardware List . . . . .	4
Optional Locker Base Installation . . . . .	5
Optional Corner Filler Installation . . . . .	6
Locker Installation . . . . .	7
Corner Locker Installation . . . . .	8
Optional End Filler Installation . . . . .	9
Number Plate Installation . . . . .	9
Optional Locker Slope Top Installation . . . . .	10-11
Optional Locker Flat Top Installation . . . . .	12
Optional End Panel Installation . . . . .	13
Back-To-Back Locker Installation . . . . .	14
Back-To-Back Locker Slope Top Installation . . . . .	15-16
Island End Panel Installation . . . . .	16

### Table des matières

Avant l'installation . . . . .	18
Liste de la visserie . . . . .	19
Installation de la base de casier en option . . . . .	20
Installation du panneau d'angle en option . . . . .	21
Installation des casiers . . . . .	22
Installation d'un casier d'angle . . . . .	23
Installation du panneau de bout en option . . . . .	24
Pose des plaques numérotées . . . . .	24
Installation du toit incliné de casier en option . . . . .	25-26
Installation du toit plat de casier en option . . . . .	27
Installation des panneaux d'extrémité en option . . . . .	28
Installation de casiers dos à dos . . . . .	29
Installation du toit incliné sur des casiers dos à dos . . . . .	30-31
Installation des panneaux d'extrémité d'îlot . . . . .	31

### Contenido

Información previa a la instalación . . . . .	33
Lista de piezas metálicas . . . . .	34
Instalación opcional de la base del casillero . . . . .	35
Instalación opcional de la pieza de relleno para esquinas . . . . .	36
Instalación del casillero . . . . .	37
Instalación del casillero de esquina . . . . .	38
Instalación opcional de la pieza de relleno de los extremos . . . . .	39
Instalación de la placa de número . . . . .	39
Instalación opcional de la parte superior inclinada del casillero . . . . .	40-41
Instalación opcional de la parte superior plana del casillero . . . . .	42
Instalación opcional del panel del extremo . . . . .	43
Instalación espalda contra espalda de los casilleros . . . . .	44
Instalación espalda contra espalda de la parte superior inclinada de los casilleros . . . . .	45-46
Instalación del panel del extremo en isla . . . . .	46



## WARNING

All lockers must be either secured against a wall or installed back-to-back (for island configuration).

Lockers and slope top components are extremely heavy and may require more than one person to position and install.

Failure to comply with these instructions may result in personal injury and/or property damage and will void the locker warranty.

## NOTICE

Lockers should be installed in a climate-controlled environment and shielded from direct sunlight.

Make sure all floors and walls are clean and smooth. Remove loose impediments, such as protruding nails, and other debris which could affect installation. The lockers must be square AND level AND floor-supported or they will not operate properly (a locker that is square may not be level so be sure to check both).

Optional locker base must be square and level, and anchored to the floor before lockers are installed. The lockers will not operate properly if the base is not square AND level AND not floor-supported. A locker base that is square may not be level so be sure to check both!

Carefully lift lockers at the base when moving and positioning. Do not drag the lockers!

## IMPORTANT

Read this entire installation manual to ensure proper installation. When finished with the installation, file this manual with the owner or maintenance department. Compliance and conformity to local codes and ordinances is the responsibility of the installer.

Separate parts from packaging and make sure all parts are accounted for before discarding any packaging material. If any parts are missing, do not begin installation until you obtain the missing parts.

Review your locker layout drawings and verify the number of lockers and components before beginning installation.

Standard lockers are shown in most illustrations. Cubby lockers and "Z" lockers are similar and are installed in the same manner.

Product warranties may be found under "Products" on our web site at [www.bradleycorp.com](http://www.bradleycorp.com).

## Pre-Installation Information

### Check Contents

Separate all parts from packaging materials and ensure you have all parts required for installation. If any parts are missing, do not attempt to install your Lenox® Lockers until you obtain all parts.

### Supplies required

For lockers with no base, you will need floor anchors and appropriate hardware suitable for your application. For optional fillers, you will need blocking (for support) and suitable fasteners.

### Tools required

- Tape measure
- 9/32" drill bit
- Hammer drill (for drilling into concrete)
- 6' level and shims (for standard lockers)
- Pop rivet gun (for number plates on standard lockers)
- Right-Angle Power Drill (for 12" wide and 12" deep lockers)
- OPTIONAL: chalk and/or string
- Power drill
- Phillips driver bit
- Clamps
- 3/16" masonry drill bit (minimum 6" long)
- Circular saw with carbide-tipped blade

### Installation Tips

Properly installed lockers will need little adjustment. However, the following tips may be helpful:

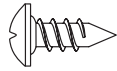
- A chalk line drawn across the top of the locker banks will help provide a visual inspection. This is only an aid and does not replace squaring and leveling the lockers.
- A string line along the top and bottom of the lockers may also be used to help in alignment.
- If shims are required after locker installation is complete, remove obstructive screws, apply the shims then replace the screws.
- Avoid twisting the locker frames when applying shims.
- Drill pilot holes when fasteners are threaded into the plastic components.

## Hardware List (hardware provided by Bradley)



**FAST-LF015**

1/4" x 1-3/4" Lg. Tapcon screw for base and locker mounting



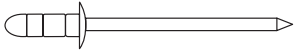
**FAST-T349**

#10 x 1/2" Lg. screw for base



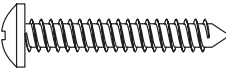
**FAST-LF026**

#6 x 1-1/2" Lg. screw for fastening corner locker to filler



**FAST-LF029**

Black multi-grip rivet for number plate on standard lockers



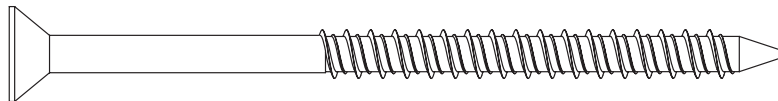
**FAST-LF041**

#8 x 1-1/4" Lg. screw for fastening slope top to locker



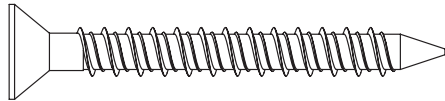
**FAST-LF006**

#6 x 5/8" Lg. screw for end panel mounting



**FAST-LF032**

1/4" x 5" Lg. Tapcon screw for island locker floor mounting



**FAST-LF042**

1/4" x 2-1/4" Lg. Tapcon screw for securing slope top to concrete wall



**FAST-LF030**

#10-24 sex bolt for filler mounting and locker-to-locker fastening



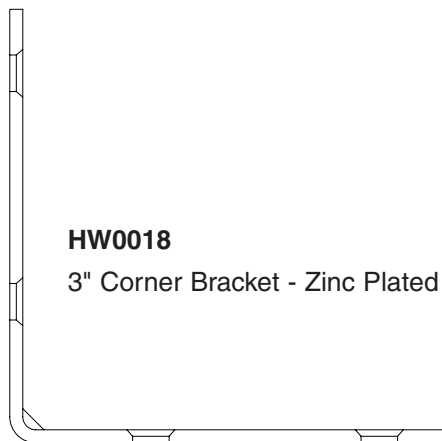
**FAST-LF031**

#10-24 sex bolt for locker-to-locker fastening



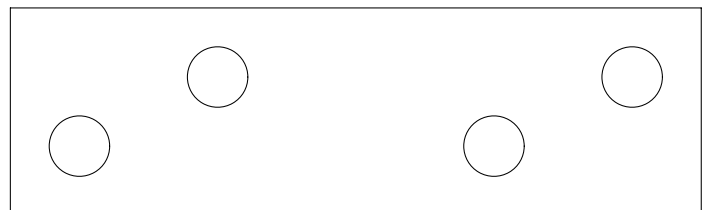
**FAST-LF044**

#10-24 x 1/2" sex bolt for filler mounting



**HW0018**

3" Corner Bracket - Zinc Plated



**HW0048**

2-1/2" Mending Plate



# 1 Optional Locker Base Installation

**NOTICE!** Make sure the base is square AND level before anchoring to the floor (the base may be square but not level so be sure to check both). This will ensure proper locker operation.



The base sections are shipped in standard lengths and come with slotted end caps. The length of the base sections can be easily modified during installation by cutting one end to the desired length. DO NOT cut the end caps.

1. Measure and scribe placement lines for the locker base sections.
2. Position the base sections per submittal layout. The ends of the base sections fit into the slots in the end caps (see Figure 1). Square and plumb the sections and end caps using shims as required. If shims are used, place them under the mounting brackets perpendicular to the bracket.
3. For longer locker runs, the base sections may need to be connected together. Drill 1/16" pilot holes 1/2" deep for the #10 x 1/2" screws that fasten the angle bracket and mending plate to the base. Use the mending plate and #10 x 1/2" screws provided to connect pieces (see Figure 1).
4. Using the applicable mounting hardware supplied, anchor the base sections to the floor. Use a 3/16" masonry drill bit for 1/4" x 1-3/4" Tapcon screws (see inset, Figure 1).

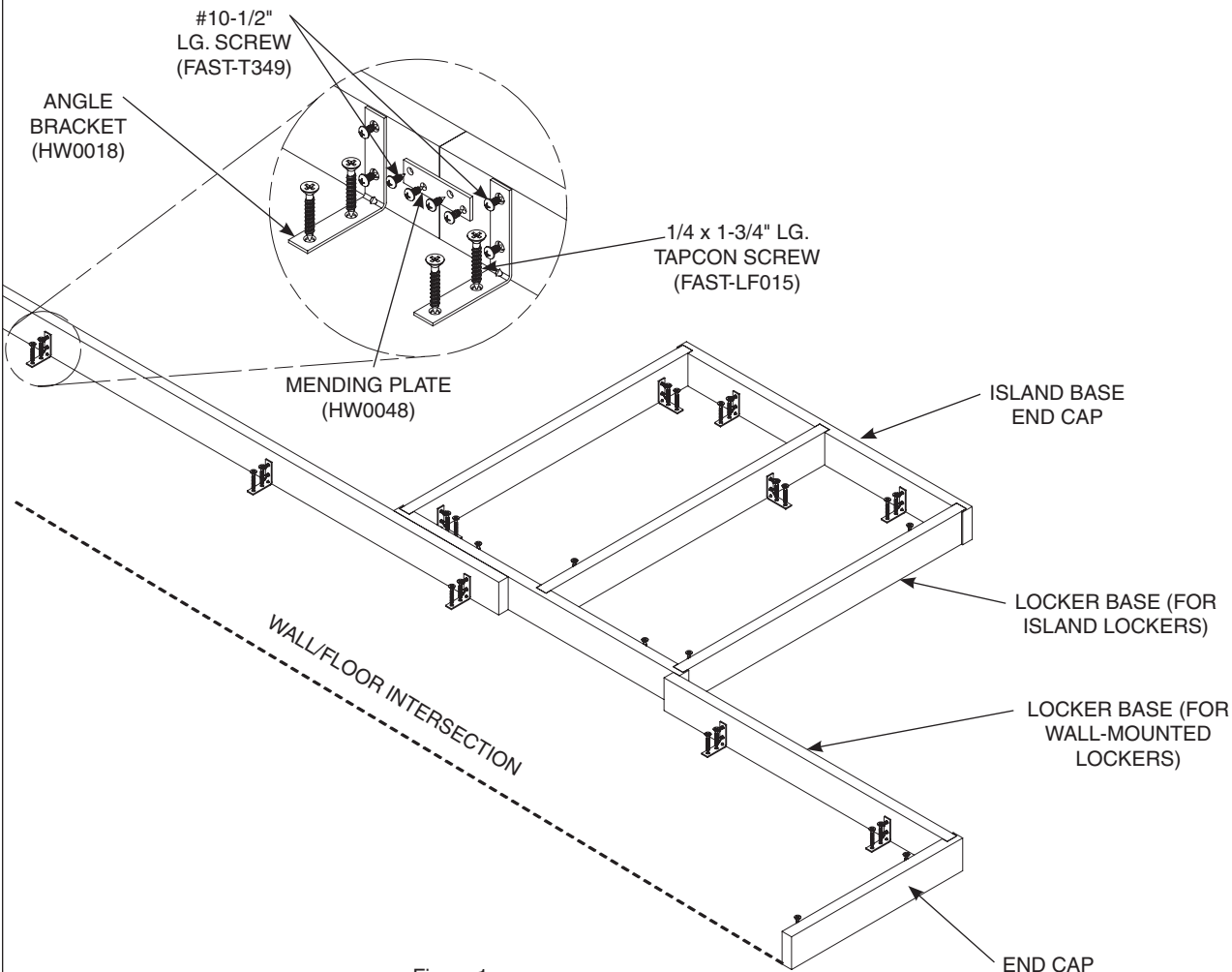


Figure 1

## 2 Optional Corner Filler Installation



Corner fillers are designed to fill gaps in corners (a corner filler is shown in Figure 3 on page 6). They are attached to the locker with the #10-24 male and #10-24 x 1/2" female sex bolts provided.



Be sure to attach the filler to the proper side of the locker per your submittal layout.

1. Align the filler to the locker top and front and temporarily clamp in place.
2. Using the holes in the filler as a template, drill four 9/32" dia. holes through the locker as shown in Figure 2.
3. Secure the filler to the locker with the #10-24 male and #10-24 x 1/2" female sex bolts provided.

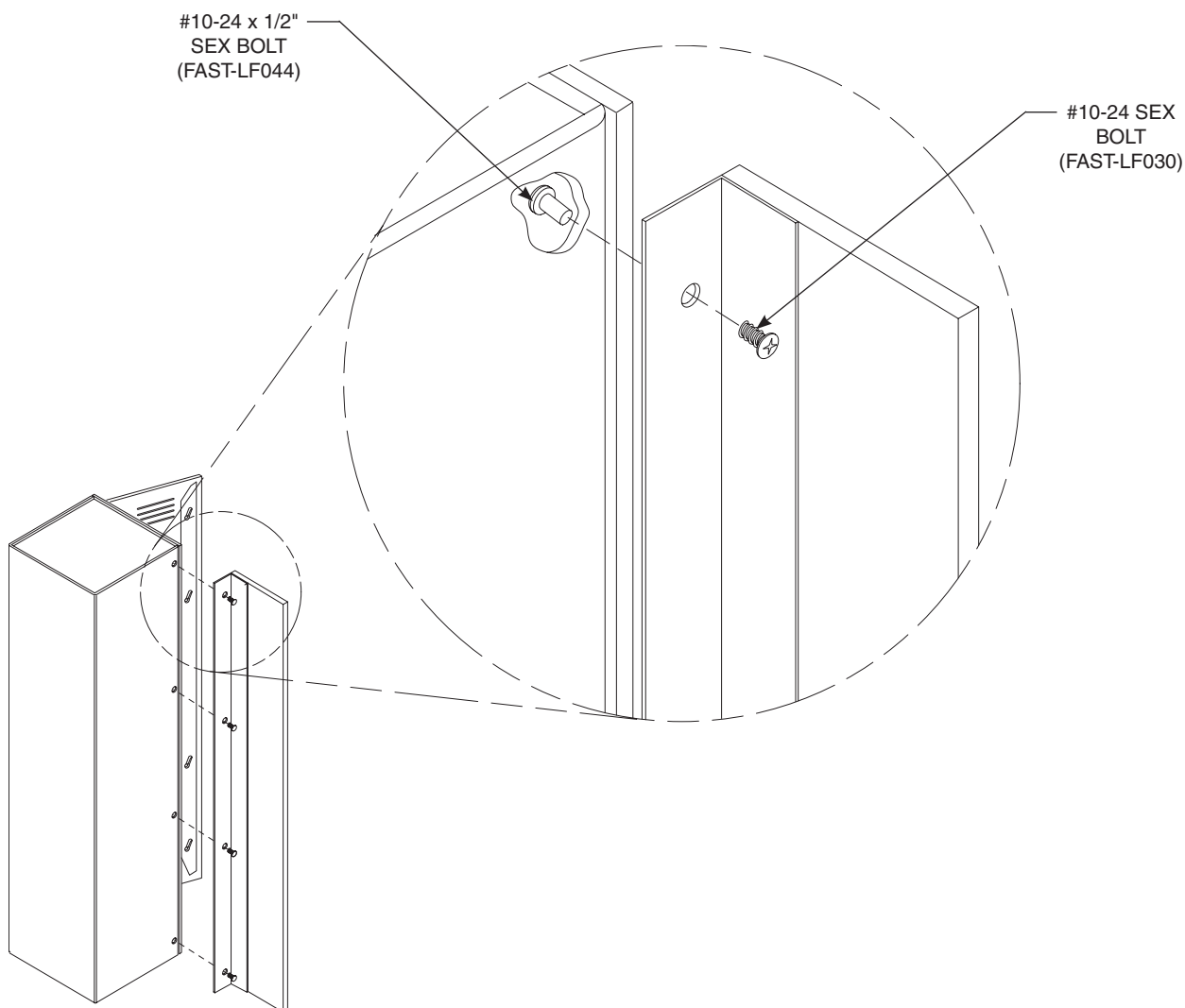


Figure 2

### 3 Locker Installation



Refer to your submittal layouts for proper locker position. The first locker is usually installed at a corner or at the end of a run.

**NOTICE!** Make sure each locker is square AND level before securing into place (the lockers may be square but not level so be sure to check both). Use shims as needed.

1. Position the first locker according to your submittal layouts. Square and plumb the locker using shims as required. Secure the locker to the wall in two places with the two 1/4" x 1-3/4" Lg. Tapcon screws. With the screws centered across the width of the locker, place one near the top and one near the bottom as shown in Figure 3.
2. Position the second locker next to the first locker. STANDARD LOCKERS ONLY: Square and plumb the locker using shims (as required) to align the tops and fronts.

**NOTICE!** Lockers must be installed flush with adjacent lockers.

3. Temporarily clamp the lockers together at the top and bottom. Drill four 9/32" clearance holes through locker as shown in Figure 3. The holes should be located 1-1/2" from the front of the locker and evenly spaced, top to bottom. Fasten lockers to each other using the #10-24 male and #10-24 x 3/4" female sex bolts provided.
4. Position additional lockers according to your submittal layouts. Square and plumb each locker using shims as required. Fasten lockers to each other using the #10-24 male and #10-24 x 3/4" female sex bolts provided.
5. Secure each locker to the wall in two places with the appropriate wall installation hardware provided. Use two 1/4" x 1-3/4" Lg. Tapcon screws, placing one near the top and one near the bottom of the locker as shown in Figure 3.

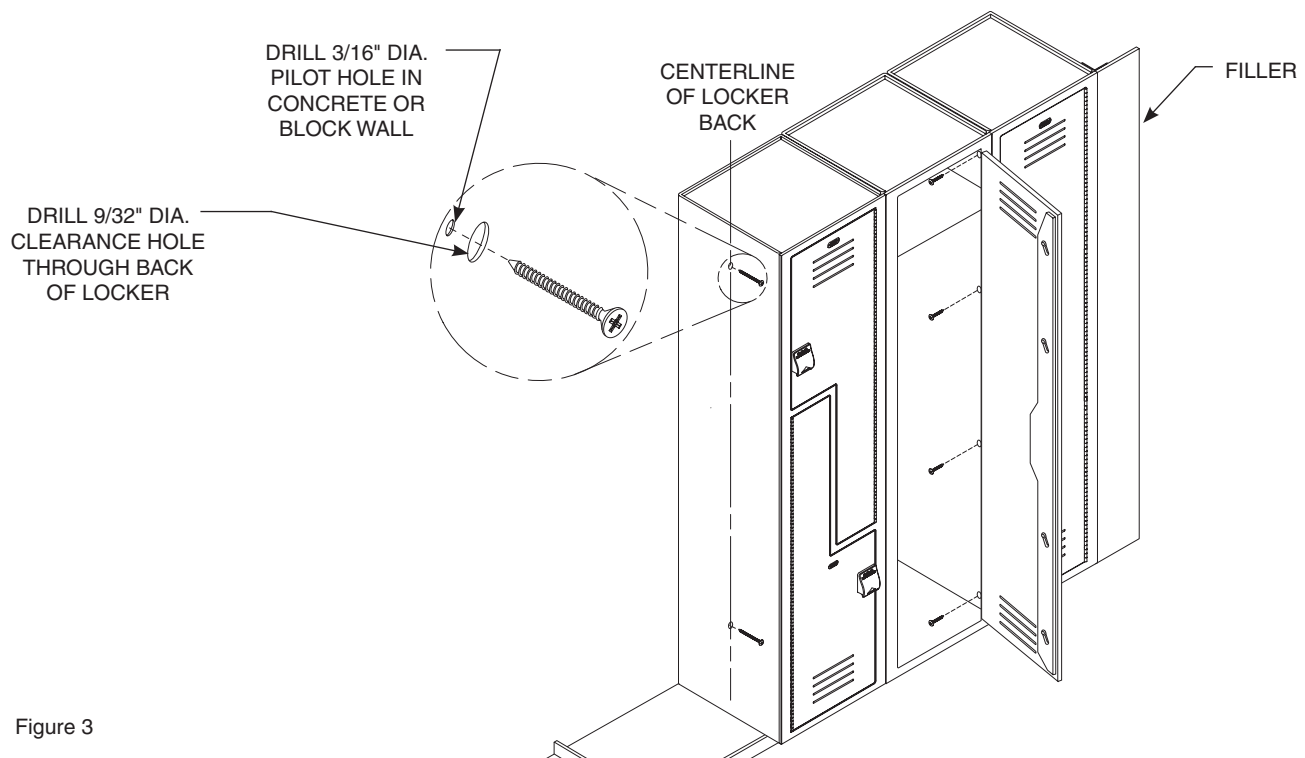


Figure 3

## 4 Corner Locker Installation

1. Drill four 3/16" dia. clearance holes 1-1/2" from the locker face through the locker box only (see Figure 4). Fasten the locker to the corner filler with the #6 x 1-1/2" screws provided.
2. Secure each locker to the wall in two places with two 1/4" x 1-3/4" Lg. Tapcon screws, placing one near the top and one near the bottom of the locker (refer to Figure 3 on page 6).
3. Position the additional lockers according to the submittal layouts. Square and plumb each locker using shims as required. Fasten the lockers to each other using the #10 x 3/4" T-25 security screws provided.
4. Secure each locker to the wall in two places with two 1/4" x 1-3/4" Lg. Tapcon screws, placing one near the top and one near the bottom of the locker (see Figure 3 on page 6).

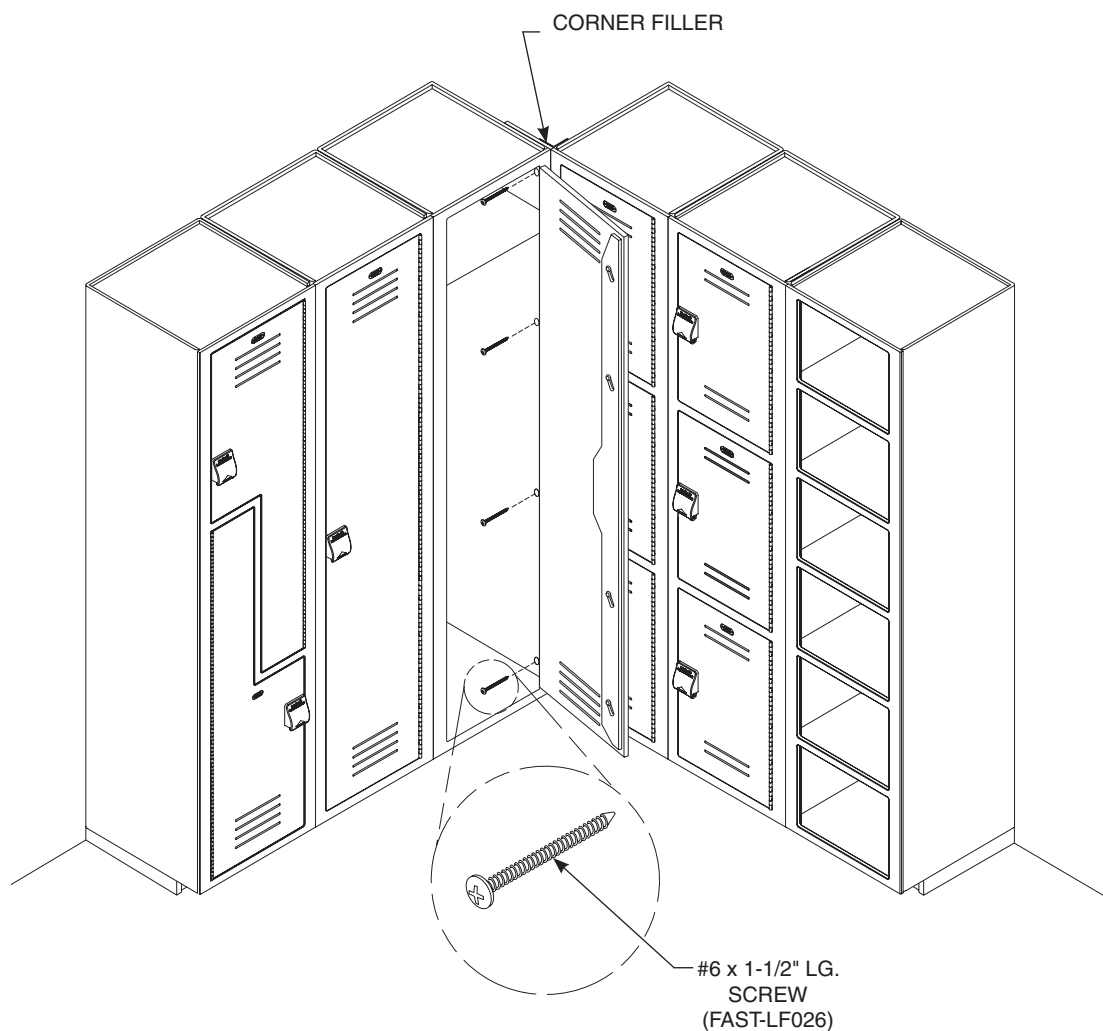


Figure 4

## 5 Optional End Filler Installation



Fillers are designed to fill gaps between locker runs. They are cut to size by the installer and attached with 3-4 suitable fasteners supplied by the installer. The fillers are attached to either an adjoining locker or blocking (the blocking provides support at the end of a locker run). If fillers are being attached to a wall, attach the blocking to the wall first, then secure with suitable fasteners (blocking and fasteners are supplied by installer). Make sure the blocking is positioned so that the filler will be flush with the face with the locker.



Be sure to attach the filler to the proper side of the locker per your submittal layout.

1. Cut the end locker filler to size.
2. Align the filler to the locker top and front and temporarily clamp in place.
3. Using the holes in the filler as a template, drill four 9/32" dia. holes through the locker (refer to Figure 2 on page 5).
4. Secure one side of the filler to the locker with the #10-24 male and #10-24 x 1/2" female sex bolts provided.
5. Secure the other side of the filler to the blocking (fasteners provided by installer).

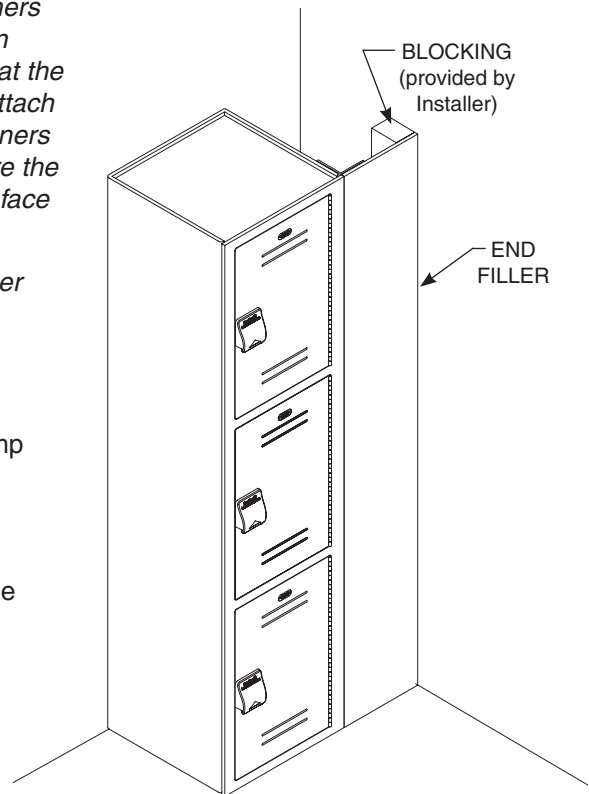


Figure 5

## 6 Number Plate Installation



Installation of the number plate is for a standard or "Z" locker only. Cubby locker does not have a number plate.

1. Determine the locker number sequence.
2. Position the number plate in the recess in the locker door (see Figure 6).
3. Hold the plate in place with your finger and, using a pop rivet gun, install the two rivets into the plate from the front of the locker.

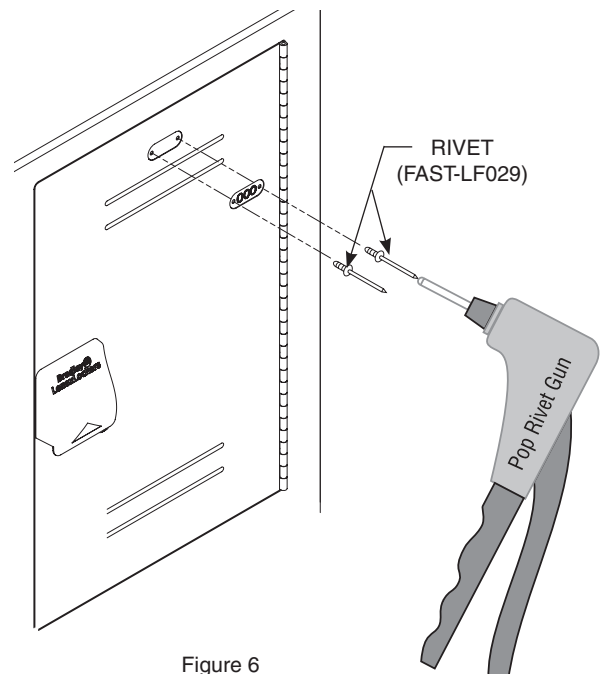


Figure 6

## 7a Optional Locker Slope Top Installation



Standard 3-tier lockers are shown in Figures 7a–7e. Slope and flat tops for Cubby and "Z" lockers are similar.



The slope tops are shipped in standard lengths and can be easily modified during installation. This modification is often necessary to overcome a variety of installation situations. Use a panel saw to cut the slope top sections to the proper length if necessary.



Use the corner slope top in the corner as shown in Figure 7c on page 10.



Corner slope tops should only be trimmed when they extend past the edge of the locker.



Wall strips will be 54" maximum length. Color of wall strips may vary.

1. Drill the appropriate number of 3/16" dia. clearance holes through the top of the installed lockers, making sure that the holes are located 1-1/4" from the front edge of the locker. This dimension is critical to ensure proper installation (see Figure 7a).

- Locker screw hole requirements: slope tops less than 18" long, two holes; 18"–35" long, three holes; 36"–45" long, four holes; 72" long, six holes.

2. Position the wall strip (or strips) on top of the lockers flush against the wall as shown in Figure 7b. Measure, scribe and drill 1/4" mounting holes into the wall strip as follows:

- CONCRETE/BLOCK WALLS: Start 1" from each end and space holes equally (do not exceed 16" on centers). The holes must be located at least 1-1/4" from the bottom edge of the wall strip. Use a 3/16" masonry drill bit and 1/4 x 1-3/4" Lg. Tapcon screws to anchor the wall strip to the wall.
- STUD WALLS: Drill the mounting holes at every stud location covered by the wall strip. The holes must be located at least 1-1/4" from the bottom edge of the wall strip. Anchor the wall strip to the wall with #14 x 1-3/4" Lg. pan head screws.

Figure 7a

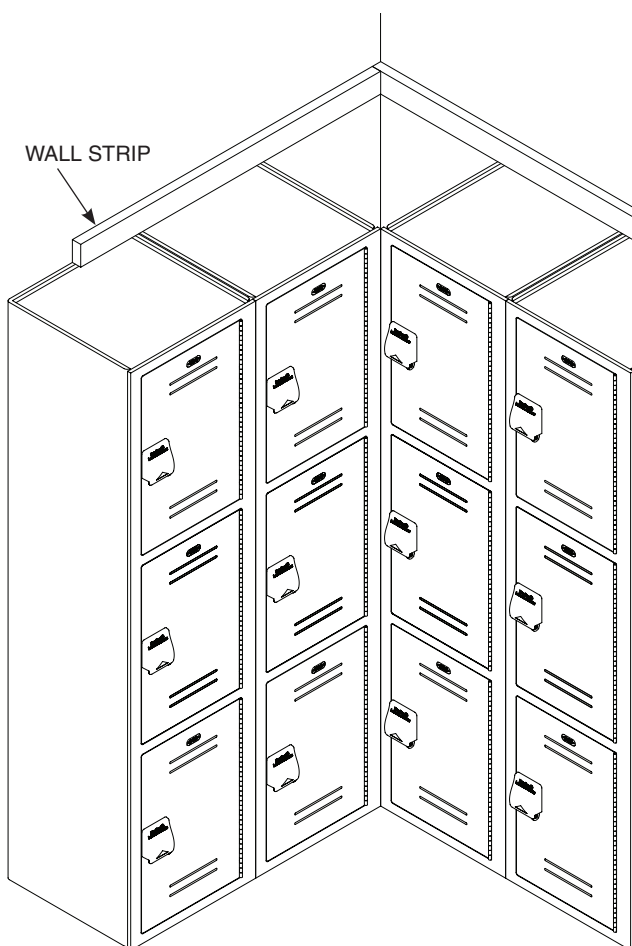
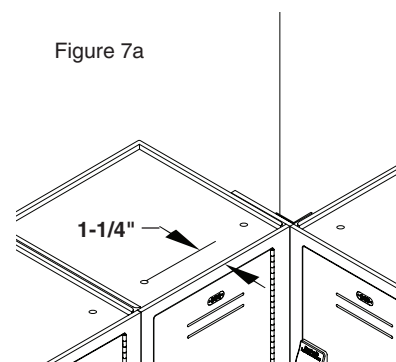


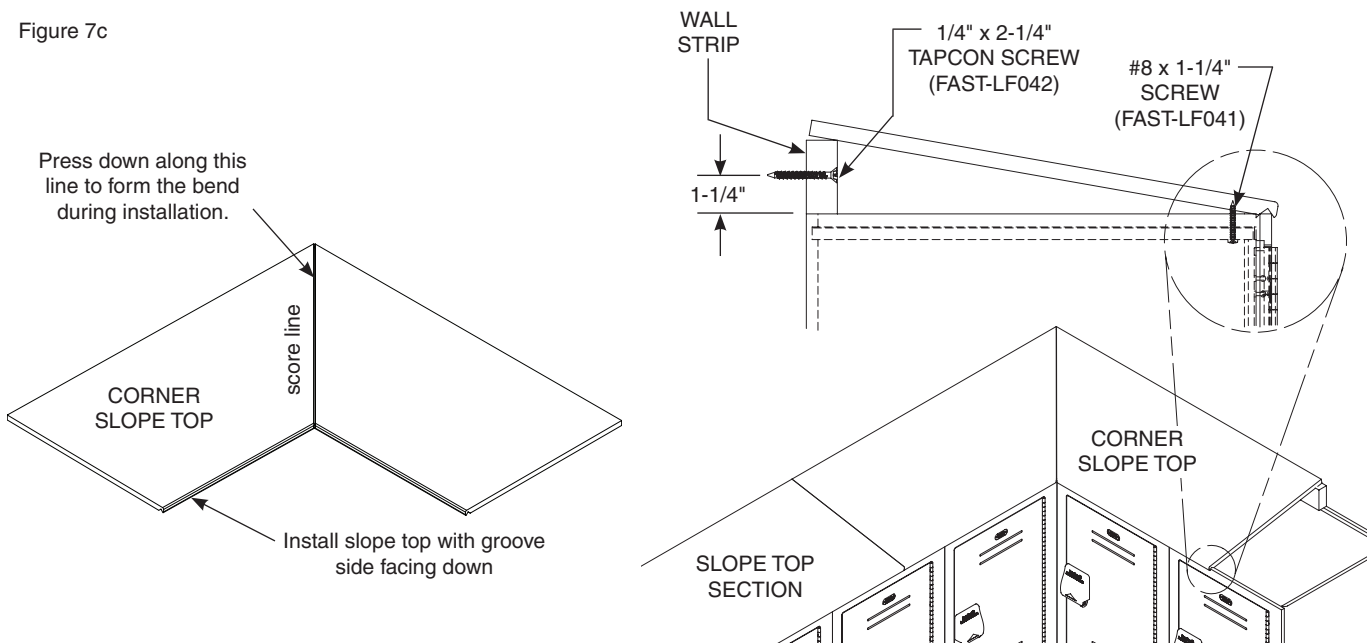
Figure 7b

## 7a Optional Locker Slope Top Installation (continued)

3. If a corner slope top is being installed, position that slope top first. Fit the groove of the slope top over the front edge of the locker while at the same time pressing down on the score line of the slope top as shown in Figure 7c. Rest the back edge of the corner slope top onto the wall strip.
4. Fit the groove of the next slope top section over the front edge of the locker as shown in Figure 7c. Rest the back edge of the slope top section onto the wall strip.
5. Secure the slope top to the locker with the #8 x 1-1/4" Lg. screws provided (see Figure 7c). Do not overtighten screws.
6. If desired, caulk the gap in the back edge of the slope top where it meets the wall strip.
7. Measure, modify and install the remaining slope tops for a custom fit.

**NOTICE! The Corner Slope Top is shipped flat with a score at the bend. To form the bend, press down at the score line during installation. DO NOT OVERBEND.**

Figure 7c



## 7b Optional Locker Flat Top Installation



The flat tops are shipped in standard lengths and can be easily modified during installation. This is often necessary to overcome a variety of installation situations. Use a panel saw to cut the flat top sections to the proper length if necessary.

1. Drill the appropriate number of 3/16" dia. clearance holes through the top of the installed lockers equidistant from locker front to back (see Figure 7d).
  - Locker screw hole requirements: flat tops less than 18" long, two holes; 18"–35" long, three; 36"–45" long, four; 72" long, six.

**CAUTION** To prevent injury, make sure the radiused edge of the flat top is facing the front of the lockers, and the sharp edge is facing the back of the lockers.

2. Starting at the corner and working outward, secure the flat top to the locker with the #8 x 1-1/8" Lg. screws (provided by installer) (see Figure 7e). Do not overtighten screws.
3. If desired, caulk the gap in the back edge of the flat top where it meets the wall.
4. Measure, modify and install the remaining flat tops for a custom fit.

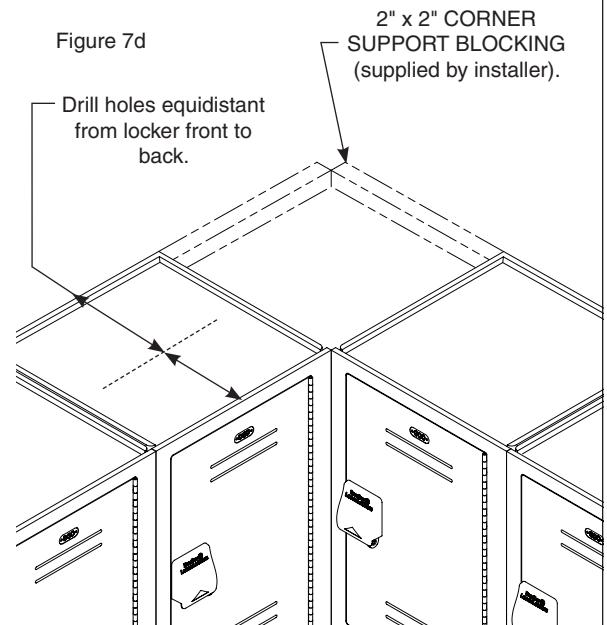
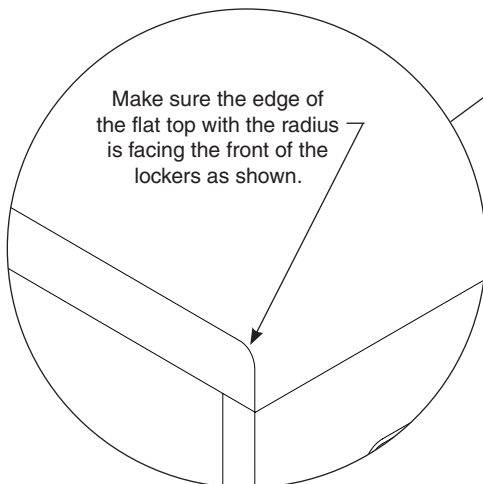
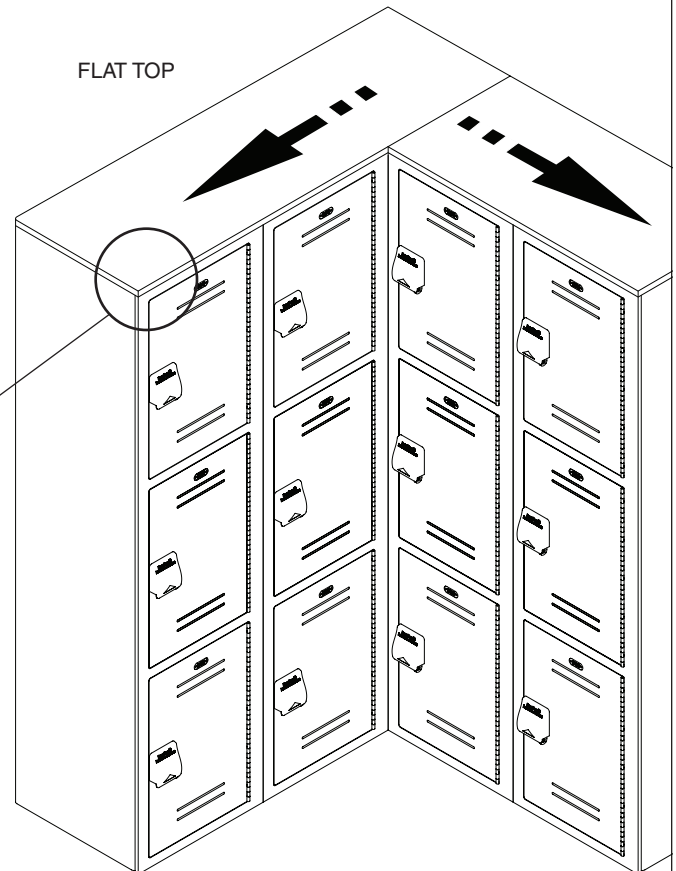


Figure 7e

Start at the corner and work outward as shown.





## 8 Optional End Panel Installation



Optional slope top not shown in Figure 8.



The end panels can be cut to size with a panel saw if necessary. Only the front edge has a radius and should not be cut.

1. Drill five 3/16" dia. holes through each of the exposed locker side(s) where the end panel is to be attached at the locations shown in Figure 8. Do not drill holes into the end panel.
2. Fasten the end panel to the locker(s) using the #6 x 5/8" screws provided (see Figure 8). The screws must be inserted through the inside of the locker and screwed into the end panel. The screws will not protrude through the end panel.

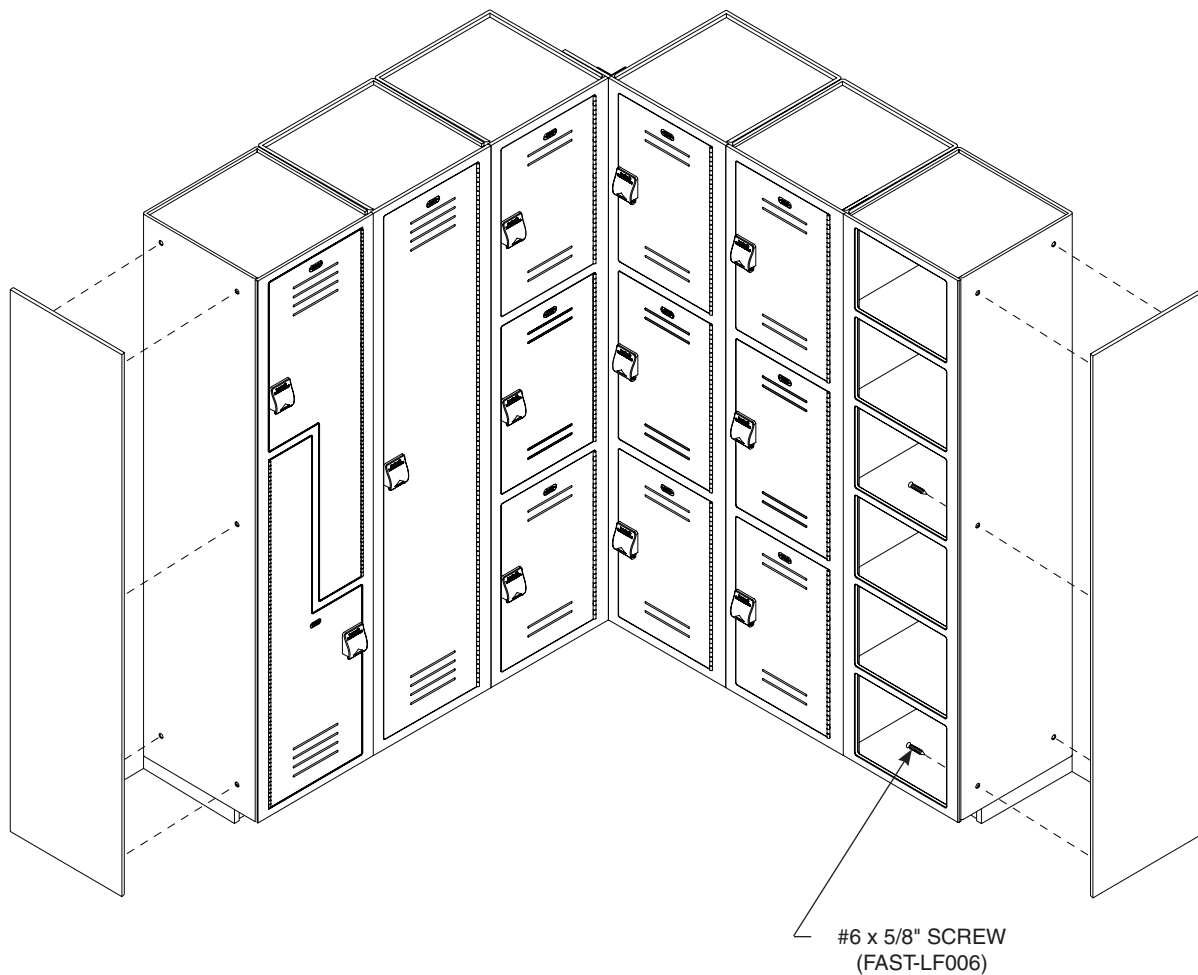


Figure 8

## 9 Back-To-Back Locker Installation



Back-to-back locker installation is similar to standard installation. The base sections must be square and plumb prior to installing lockers.

1. Anchor the base sections to the floor using the hardware supplied (refer to Step 1 on page 4).
2. Fasten fillers to the corner lockers (refer to Step 2 on page 5).
3. Position, square and plumb the lockers onto the base, making sure locker tops and fronts are flush. Temporarily clamp the adjoining locker sides together at the top and bottom. Drill four 9/32" holes through locker. The holes should be located 1-1/2" from the front of the locker and evenly spaced from top to bottom (refer to Figures 3a and 3b on page 6 if necessary).
4. Drill four 9/32" holes through one adjoining locker back (see Figure 9). Fasten the lockers together using the #10-24 male and #10-24 x 3/4" female sex bolts provided.

**⚠ WARNING** Island locker installation requires floor mounting in addition to locker-to-locker attachment.

**⚠ WARNING** For concrete floors, use a hammer drill with a six-inch long drill bit for pilot holes.

5. Drill a 3/16" pilot hole through the bottom of each locker into the floor. Use a drill with a six-inch long drill bit. The holes should be located near the front of the locker. Drill a 9/32" clearance hole through the bottom of each locker into the floor. Secure the lockers to the floor with the Tapcon screws provided.

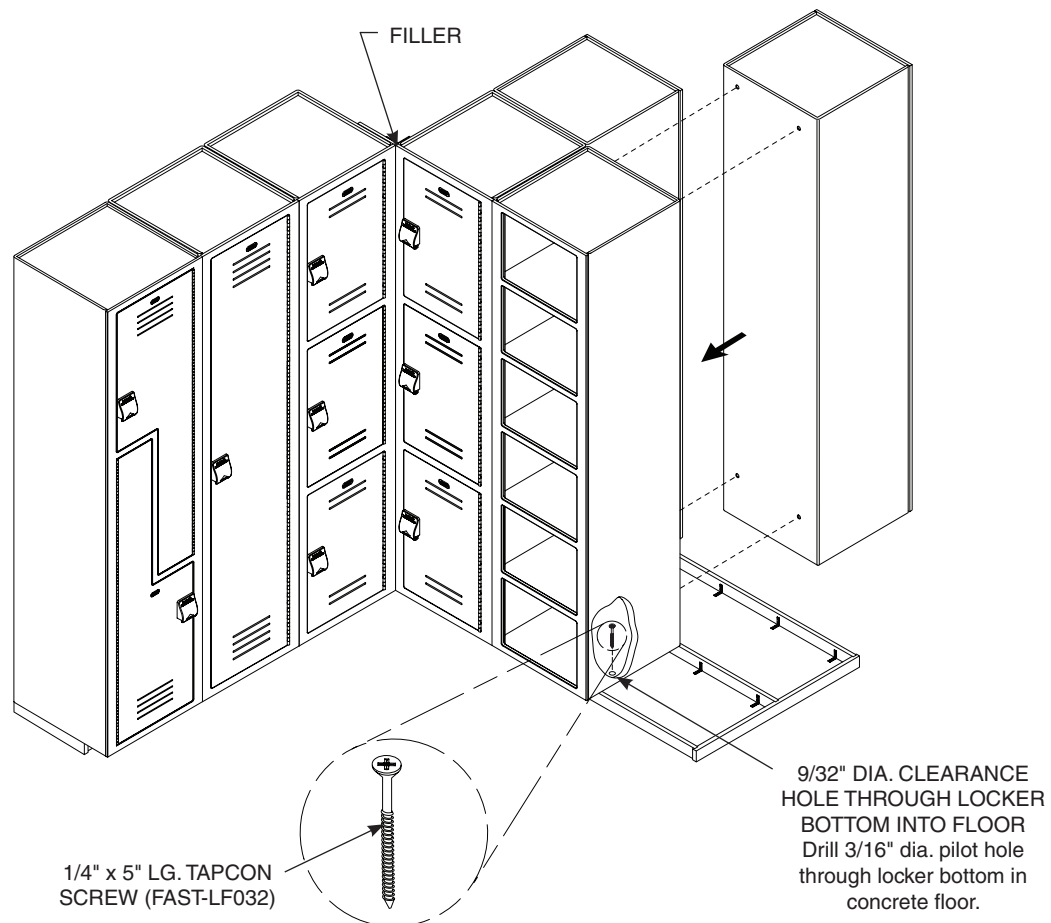


Figure 9

## 10 Back-To-Back Locker Slope Top Installation



Mounting strips will be 54" maximum length. Color of strips may vary.

1. Drill 3/16" dia. clearance holes through the top of the installed lockers, making sure that the holes are located 1-1/4" from the front edge of the locker (see Figure 7a on page 9).
2. Position the slope top mounting strips on top of the lockers as shown in Figure 10a.
3. Temporarily clamp the slope top mounting strips together, making sure they are flush and aligned.
4. Using the 2" mounting brackets and hardware supplied, anchor the mounting strips to the top of the locker as shown in Figure 10a. Drill 1/16" pilot holes 1/2" deep for the #10 x 1/2" screws that fasten the angle bracket and mending plate to the base.
5. Position the slope top on top of the lockers as shown in Figure 10b on page 15, fitting the slope top groove over the edge of the locker.
6. Hold the slope top down tight against the top of the locker and secure with the #8 x 1-1/4" screws provided (see Figure 10b). Do not overtighten the screws.
7. Install the remaining slope top sections per the instructions outlined above.
8. If desired, caulk the gap in the back edge of the slope top where it meets the wall strip.

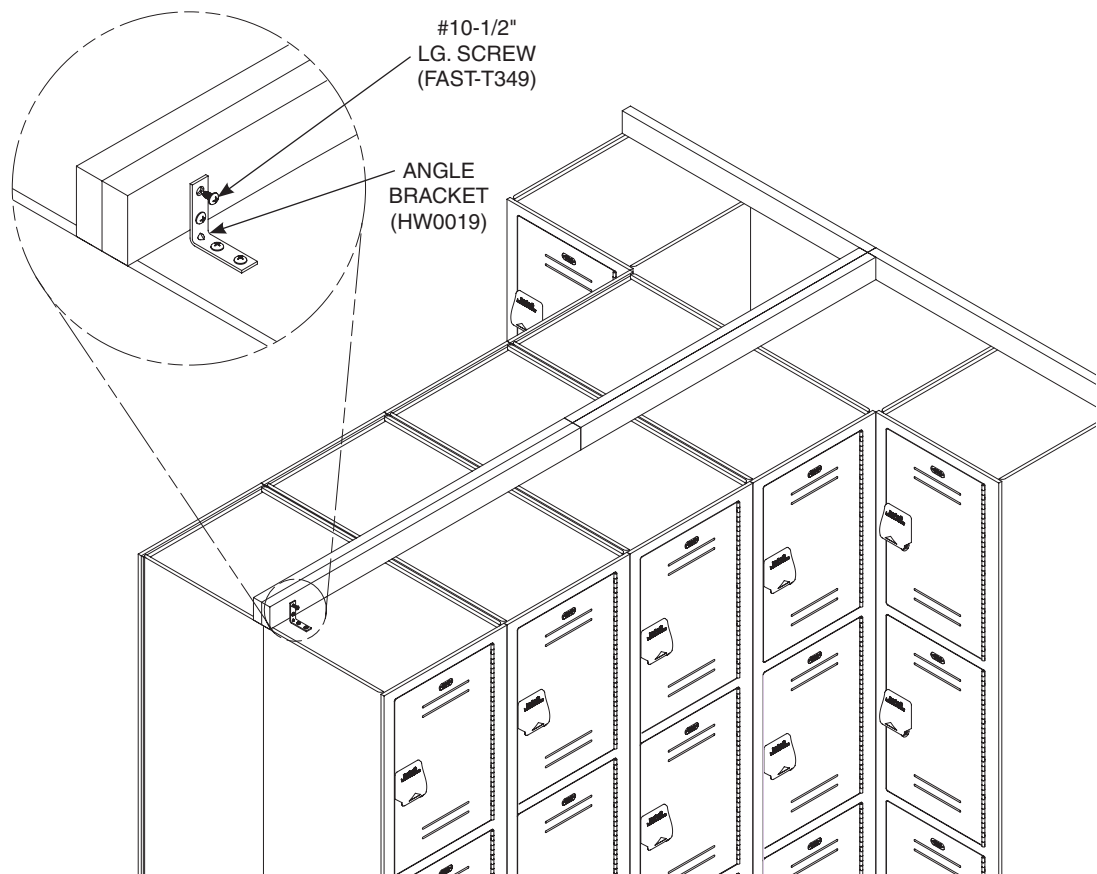


Figure 10a

## 10 Back-To-Back Locker Slope Top Installation (continued)

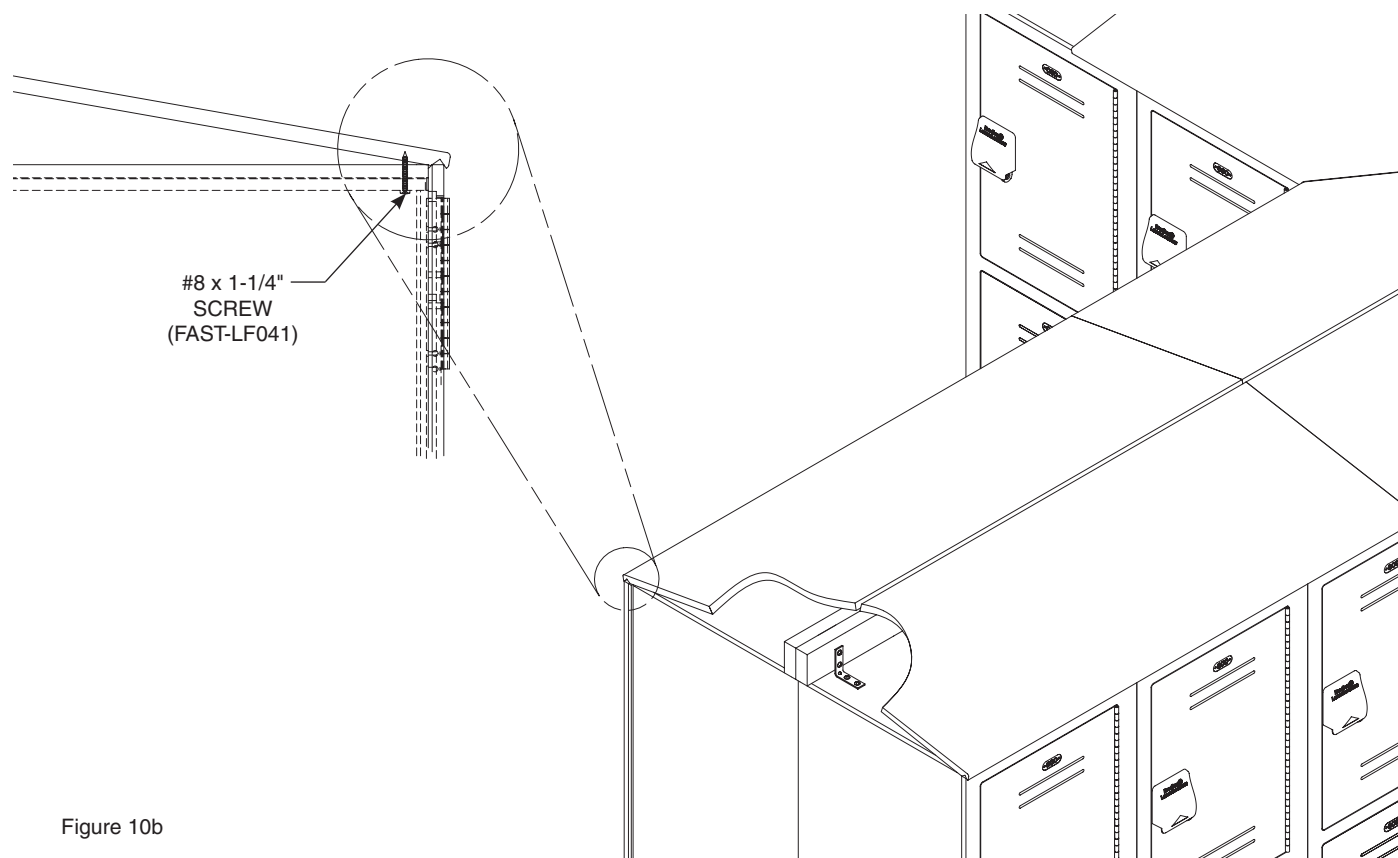


Figure 10b

## 11 Island End Panel Installation

1. Drill ten 3/16" dia. holes through each of the exposed locker sides where the end panel is to be attached. Do not drill holes into the end panel.
2. Fasten the end panel to the locker with the #6 x 5/8" screws provided (see Figure 11).



*The screws must be inserted through the inside of the locker and screwed into the end panel. The screws will not protrude through the end panel.*

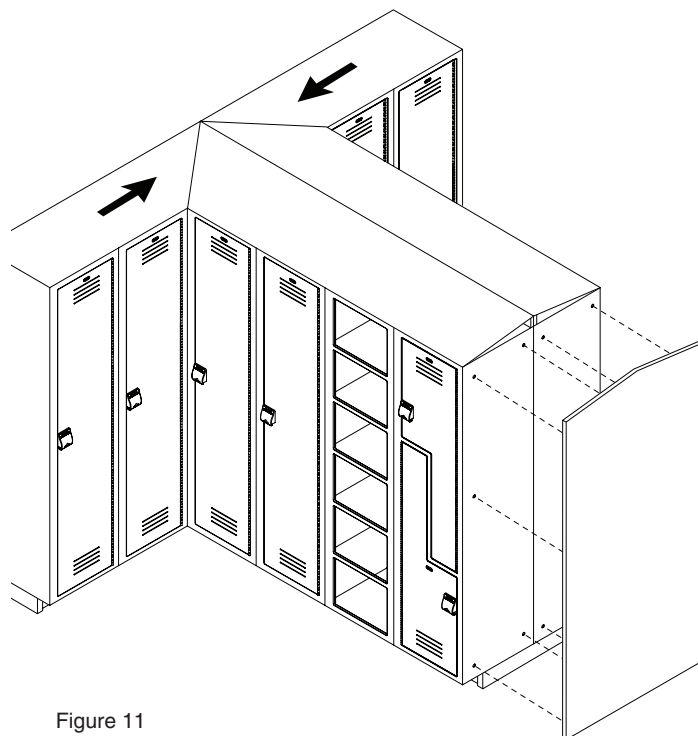


Figure 11

## AVERTISSEMENT

Tous les casiers doivent être fixés contre un mur ou installés dos à dos (configuration en îlot).

Les pièces des casiers et des toits inclinés sont très lourdes et peuvent nécessiter plus d'une personne pour les mettre en place et les monter.

Tout manquement à respecter ces instructions peut entraîner des blessures corporelles ou des dégâts matériels et invalide la garantie des casiers.

## AVIS

Les casiers doivent être installés dans un environnement contrôlé et protégé du soleil.

Vérifier que le sol et les murs sont propres et lisses. Éliminer les obstacles tels que les clous qui dépassent et autres débris lâches susceptibles d'entraver la pose. Les casiers doivent être d'équerre ET de niveau ET soutenus par le plancher sinon ils ne fonctionnent pas correctement (un casier d'équerre peut ne pas être de niveau, veiller donc à vérifier les deux).

La base de casier en option doit être d'équerre, de niveau et ancrée au plancher avant le montage des casiers. Les casiers ne fonctionnent pas correctement si la base n'est pas d'équerre et de niveau et si elle n'est pas soutenue par le plancher. Une base de casier qui est d'équerre peut ne pas être de niveau, veiller donc à vérifier les deux!

Soulever les casiers avec précaution par la base pour les déplacer et les mettre en place. Ne pas traîner les casiers sur le plancher!

## IMPORTANTE

Lire ce manuel d'installation dans son intégralité pour garantir une installation appropriée. Une fois celle-ci terminée, classer ce manuel auprès du service à la clientèle ou d'entretien. L'installateur est responsable de respecter la conformité aux codes et ordonnances locaux.

Déballer les pièces et s'assurer qu'elles sont toutes présentes avant de jeter les emballages. Le cas échéant, ne pas commencer l'installation avant d'avoir obtenu toutes les pièces manquantes.

Examiner les plans d'installation des casiers pour vérifier le nombre de casiers et de composants avant de procéder à l'installation.

La majorité des illustrations montrent des casiers standards. Les casiers ouverts et les casiers « Z » sont semblables et s'installent de la même manière.

Les garanties de produit figurent sous « Products » sur notre site Web à l'adresse [www.bradleycorp.com](http://www.bradleycorp.com).

## Avant l'installation

### Vérification du contenu

Déballer toutes les pièces et s'assurer qu'il n'en manque aucune pour l'installation. S'il manque des pièces, ne pas tenter de monter les casiers Lenox® avant de les avoir toutes obtenues.

### Fournitures nécessaires

Pour les casiers sans base, prévoir des ancrages pour sol et la visserie de fixation qui convient à la situation particulière. Pour les panneaux de remplissage, prévoir des fourrures (de support) et la visserie de fixation qui convient.

### Outillage nécessaire

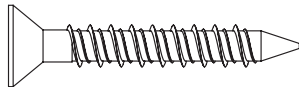
- Mètre-ruban
- Foret de 9/32 po
- Perceuse à percussion (pour percer le béton)
- Niveau de 1,8 m (6 pi) et cales d'épaisseur (pour les casiers standards)
- Pince à rivet aveugle (pour les plaques numérotées sur les casiers standards)
- Perceuse électrique à angle droit (pour casiers de 12 po de largeur et 12 po de profondeur)
- FACULTATIF : cordeau à craie et/ou ficelle
- Perceuse électrique
- Embout de vissage Phillips
- Pinces de serrage
- Foret à maçonnerie de 3/16 po (longueur 15 cm [6 po] minimum)
- Scie circulaire à lame carbure

### Conseils d'installation

Des casiers correctement installés nécessitent peu d'ajustement. Toutefois, les conseils suivants peuvent s'avérer utiles :

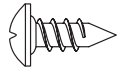
- Un trait tracé au cordeau le long du dessus de la rangée de casiers facilitera l'inspection visuelle. Cela est utile mais ne remplace pas la nécessité de monter les casiers d'équerre et de niveau.
- Une ficelle le long du haut et du bas des casiers peut également être utilisée pour faciliter l'alignement.
- Si des cales d'épaisseur sont nécessaires une fois le montage des casiers terminé, retirer les vis qui font obstacle, poser les cales puis remettre les vis en place.
- Éviter de vriller les casiers lors de la pose des cales.
- Percer des avant-trous pour les vis qui à enfoncer dans des pièces en plastique.

## Liste de la visserie (fournie par Bradley)



**FAST-LF015**

Vis Tapcon de 1/4 po x 1-3/4 po lg pour le montage de la base et des casiers



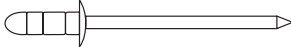
**FAST-T349**

Vis n° 10 x 1/2 po lg pour la base



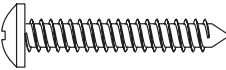
**FAST-LF026**

Vis n° 6 x 1-1/2 po lg pour attacher le casier d'angle au panneau de remplissage



**FAST-LF029**

Rivet multiprise noir pour plaque numérotée sur casier standard



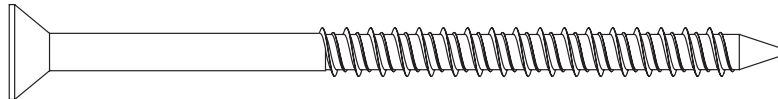
**FAST-LF041**

Vis n° 8 x 1-1/4 po lg pour attacher le toit incliné au casier



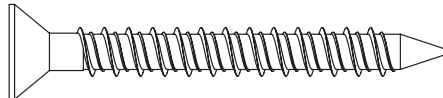
**FAST-LF006**

Vis n° 6 x 5/8 po lg pour le montage du panneau de bout



**FAST-LF032**

Vis Tapcon de 1/4 po x 5 po lg pour le montage au plancher des casiers en îlot



**FAST-LF042**

Vis Tapcon de 1/4 po x 2-1/4 po lg pour attacher le toit incliné à un mur de béton



**FAST-LF030**

Manchon fileté n° 10-24 pour le montage de panneau de remplissage et casier sur casier



**FAST-LF031**

Manchon fileté n° 10-24 pour la fixation casier sur casier



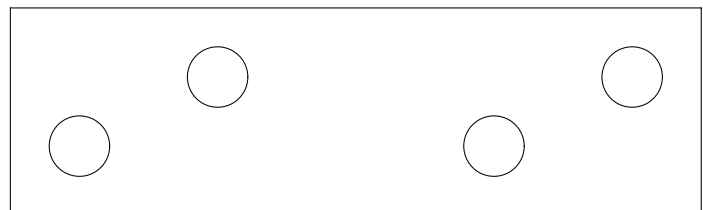
**FAST-LF044**

Manchon fileté n° 10-24 pour le montage de panneau de remplissage



**HW0018**

Équerre métallique de 3 po - zinguée



**HW0048**

Plaque métallique de 2-1/2 po

# 1 Installation de la base de casier en option

**AVIS!** S'assurer que la base est d'équerre ET de niveau avant de l'ancrer au plancher (la base peut être d'équerre mais pas de niveau, veiller donc à vérifier les deux). Cela assurera le bon fonctionnement des casiers.



Les éléments de la base sont livrés dans des longueurs standard et fournis avec des pièces d'extrémité à rainures. Ces éléments peuvent aisément être coupés à la longueur souhaitée durant l'installation. NE PAS couper les pièces d'extrémité.

1. Mesurer et tracer les traits de pose pour les éléments de la base de casiers.
2. Placer les éléments de base conformément au plan de soumission. Les bouts des éléments de base passent dans les rainures des pièces d'extrémité (voir Figure 1). Mettre les éléments et pièces d'extrémité d'équerre et d'aplomb en utilisant des cales d'épaisseur s'il y a lieu. Si des cales sont utilisées, les placer sous les équerres de fixation perpendiculairement à l'équerre.
3. Pour les longues rangées de casiers, il peut être nécessaire de raccorder des éléments de base l'un à l'autre. Percer des avant-trous de 1/16 po et 1/2 po de profondeur pour les vis n° 10 x 1/2 po de fixation des équerres et plaques métalliques à la base. Utiliser la plaque métallique et des vis n° 10 x 1/2 po fournies pour raccorder les éléments (voir Figure 1).
4. À l'aide de la visserie de fixation fournie qui convient, ancrer les éléments de la base au plancher. Utiliser un foret à maçonnerie de 3/16 po pour les vis Tapcon de 1/4 po x 1-3/4 po (voir encart, Figure 1).

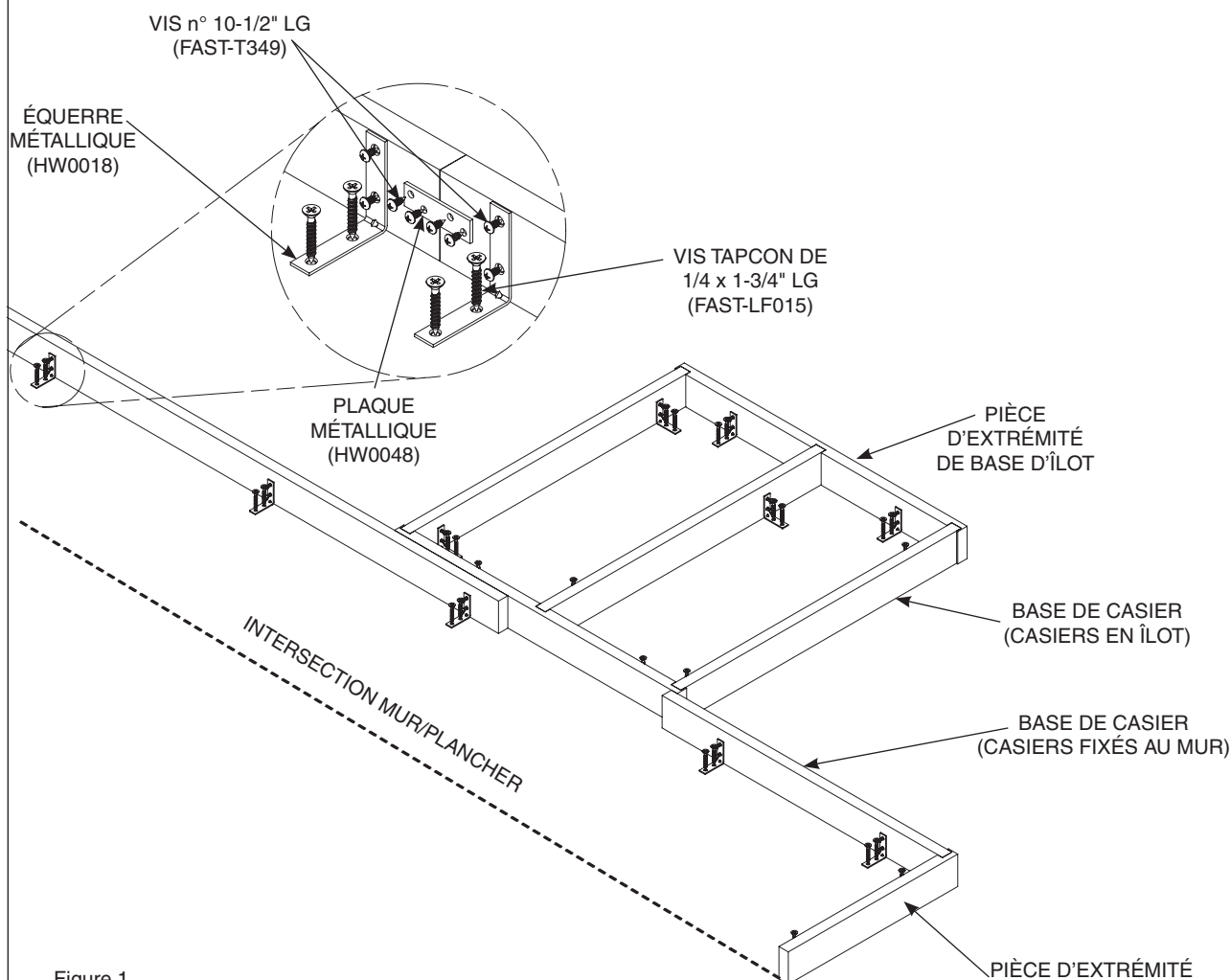


Figure 1



## 2 Installation du panneau d'angle en option



Les panneaux de remplissage d'angle sont conçus pour combler le vide dans les coins (voir Figure 3 à la page 21). Elles sont attachées au casier par les vis n° 10-24 et manchons filetés n° 10-24 x 1/2 po fournis.



Veiller à bien attacher le panneau de remplissage du bon côté du casier, conformément au plan de soumission.

1. Aligner le panneau sur le dessus et l'avant du casier et le maintenir en place avec des pinces.
2. En se servant des trous du panneau d'angle en guise de gabarit, percer quatre trous de 9/32 po de diamètre à travers le casier comme indiqué à la Figure 2.
3. Attacher le panneau au casier avec les vis n° 10-24 et manchons filetés n° 10-24 x 1/2 po fournis

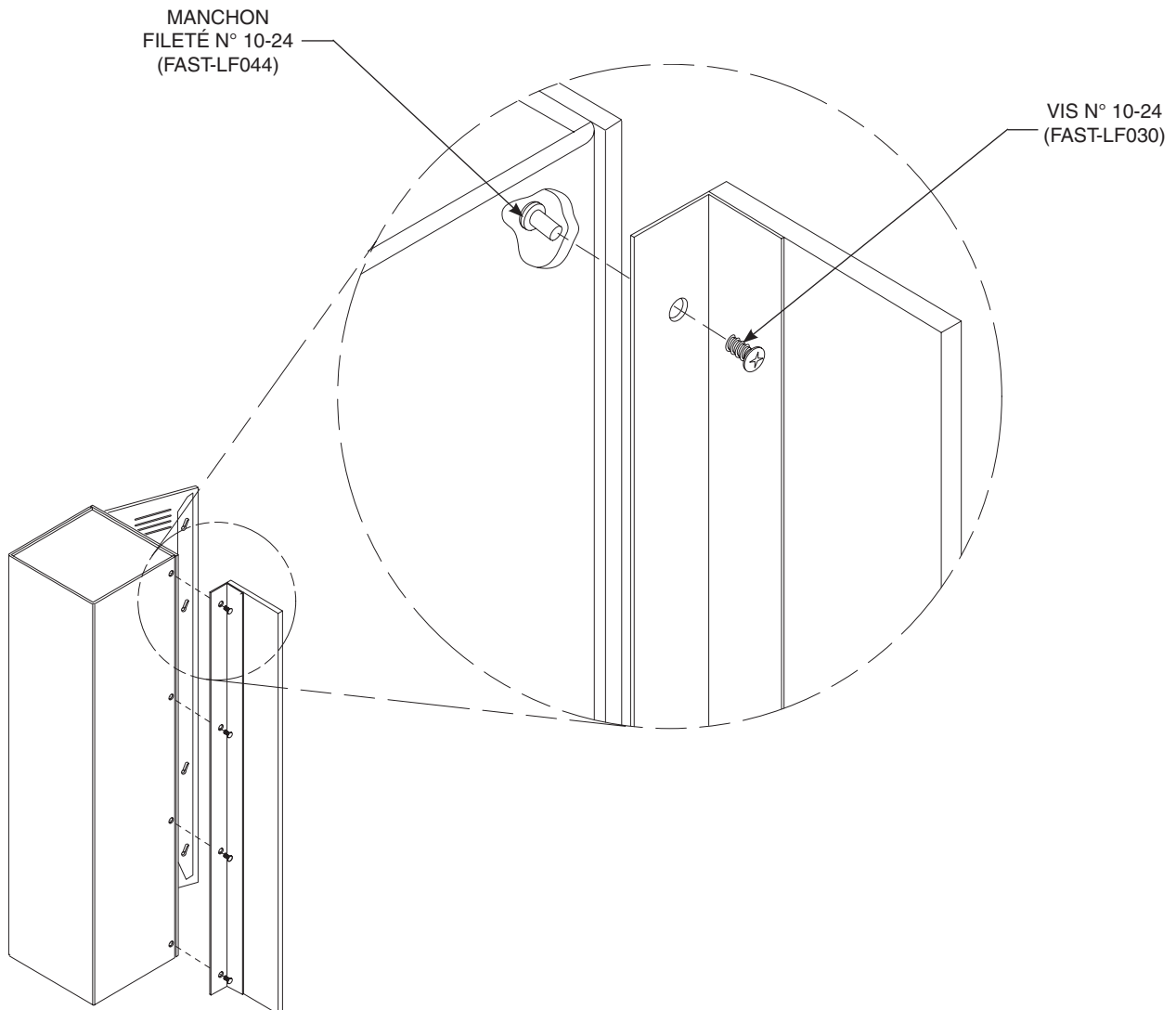


Figure 2

### 3 Installation des casiers



Voir la position correcte des casiers dans les plans de soumission. Le premier casier est habituellement installé dans un coin ou en bout de rangée.

**AVIS!** S'assurer que chaque casier est d'équerre ET de niveau avant de l'attacher (les casiers peuvent être d'équerre mais pas de niveau, veiller donc à vérifier les deux). Utiliser des cales d'épaisseur s'il y a lieu.

1. Placer le premier casier conformément aux plans de soumission. Mettre le casier d'équerre et d'aplomb en utilisant des cales d'épaisseur s'il y a lieu. Fixer le casier au mur en deux points avec les deux vis Tapcon de 1/4 po x 1-3/4 po lg. Placer une vis près du sommet et une près de la base du casier en les centrant sur la largeur, comme indiqué à la Figure 3.
2. Placer le deuxième casier près du premier. CASIERS STANDARDS SEULEMENT : Mettre le casier d'équerre et d'aplomb en utilisant des cales d'épaisseur (s'il y a lieu) pour aligner le dessus et la face avant.

**AVIS!** Les casiers doivent être posés dans l'alignement des casiers voisins.

3. Attacher provisoirement les casiers l'un à l'autre avec des pinces au sommet et à la base. Percer quatre trous de passage de 9/32 po à travers le casier comme indiqué à la Figure 3. Ces trous doivent être placés à 38 mm (1-1/2 po) de l'avant du casier et régulièrement espacés de haut en bas. Attacher les casiers l'un à l'autre avec les vis n° 10-24 et manchons filetés n° 10-24 x 3/4 po fournis.
4. Poser les casiers supplémentaires conformément aux plans de soumission. Mettre chaque casier d'équerre et d'aplomb en utilisant des cales d'épaisseur s'il y a lieu. Attacher les casiers l'un à l'autre avec les vis n° 10-24 et manchons filetés n° 10-24 x 3/4 po fournis.
5. Fixer chaque casier au mur en deux points avec la visserie de pose murale fournie qui convient. Utiliser deux vis Tapcon de 1/4 po x 1-3/4 po lg, l'une placée près du sommet, l'autre près de la base du casier comme indiqué à la Figure 3.

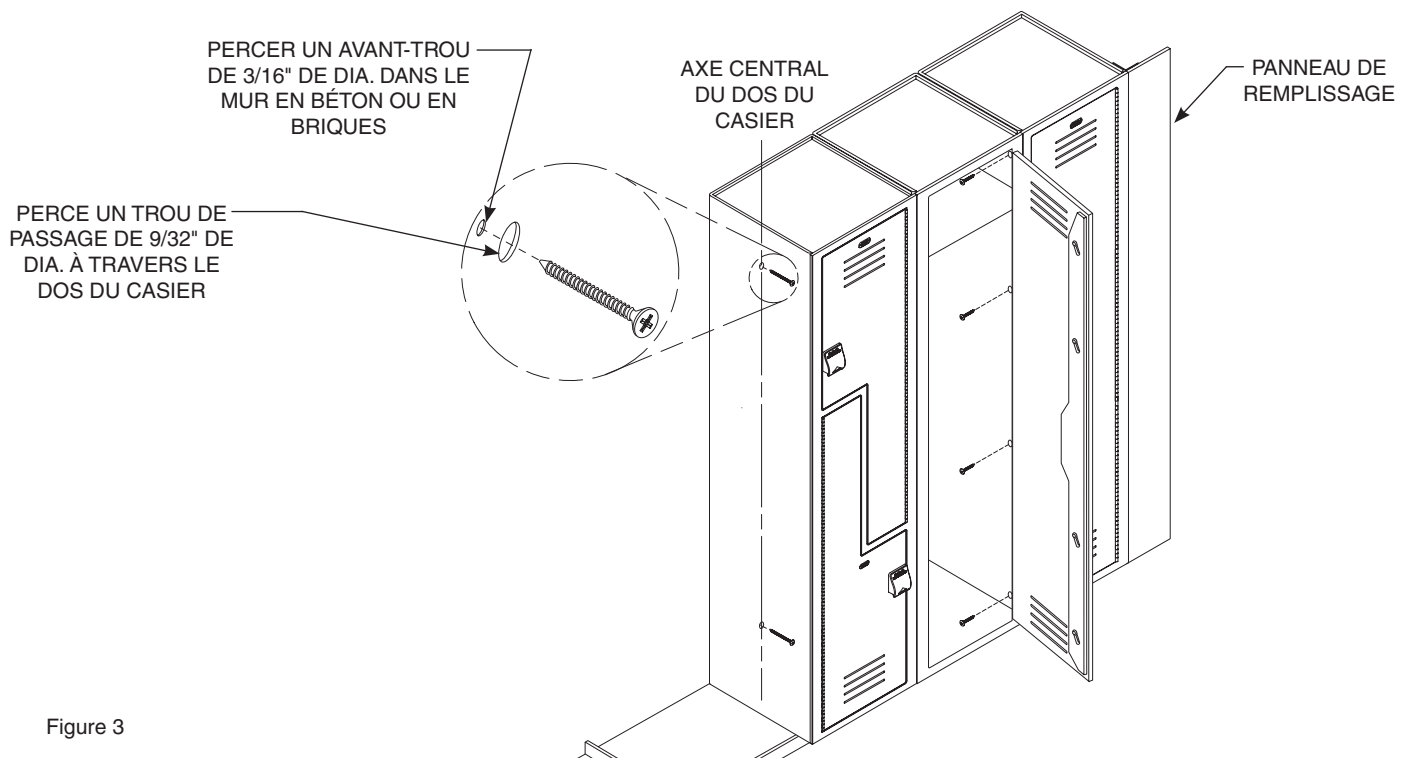


Figure 3

## 4 Installation d'un casier d'angle

1. Percer quatre trous de passage de 3/16 po de dia. à 38 mm (1-1/2 po) de la face avant à travers le caisson du casier seulement (voir Figure 4). Attacher le casier au panneau d'angle avec les vis n° 6 x 1-1/2 po fournies.
2. Fixer chaque casier au mur en deux points avec deux vis Tapcon de 1/4 po x 1-3/4 po lg, l'une placée près du sommet, l'autre près de la base du casier (voir Figure 3 à la page 21).
3. Poser les casiers supplémentaires conformément aux plans de soumission. Mettre chaque casier d'équerre et d'aplomb en utilisant des cales d'épaisseur s'il y a lieu. Attacher les casiers l'un à l'autre avec les vis de sécurité n° 10 x 3/4 po T-25 fournies.
4. Fixer chaque casier au mur en deux points avec deux vis Tapcon de 1/4 po x 1-3/4 po lg, l'une placée près du sommet, l'autre près de la base du casier (voir Figure 3 à la page 21).

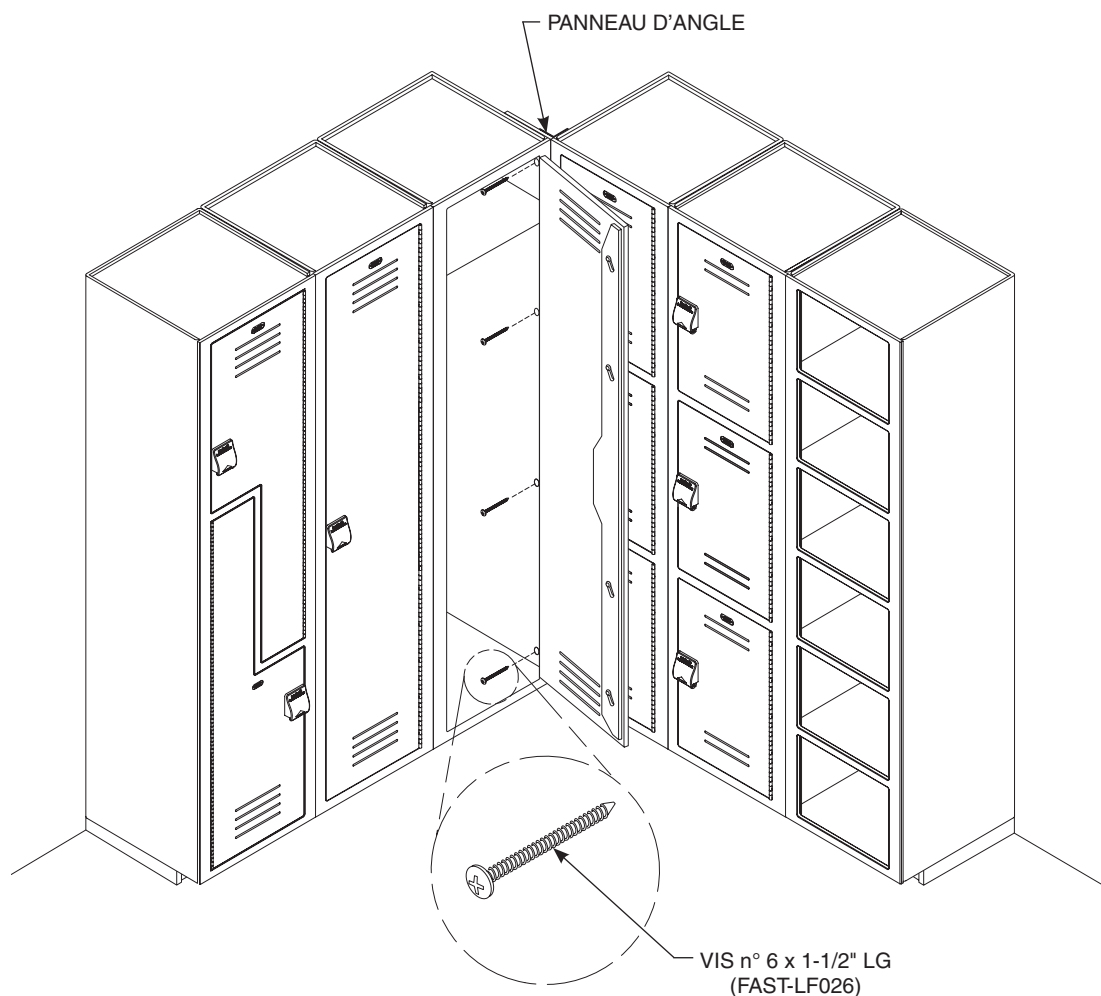


Figure 4

## 5 Installation du panneau de bout en option



Les panneaux de remplissage sont conçus pour combler les vides entre les rangées de casiers. Ils sont coupés aux bonnes dimensions par l'installateur et attachés avec 3 ou 4 vis de fixation adaptées (non fournies). Ces panneaux sont attachés au casier voisin ou à une fourrure (support au bout d'une rangée de casier). Si des panneaux de remplissage sont attachés à un mur, attacher d'abord la fourrure au mur, puis fixer les panneaux avec la visserie qui convient (fourrure et visserie non fournies). Veiller à placer la fourrure de telle façon que le panneau soit dans le plan de la face avant du casier.



Veiller à bien attacher le panneau de remplissage du bon côté du casier, conformément au plan de soumission.

1. Découper le panneau de bout aux bonnes dimensions.
2. Aligner le panneau sur le dessus et l'avant du casier et le maintenir en place avec des pinces.
3. En se servant des trous du panneau en guise de gabarit, percer quatre trous de 9/32 po de diamètre à travers le casier (voir Figure 2 à la page 20).
4. Attacher un côté du panneau au casier avec les vis n° 10-24 et manchons filetés n° 10-24 x 1/2 po fournis.
5. Attacher l'autre côté du panneau à la fourrure (visserie non fournie).

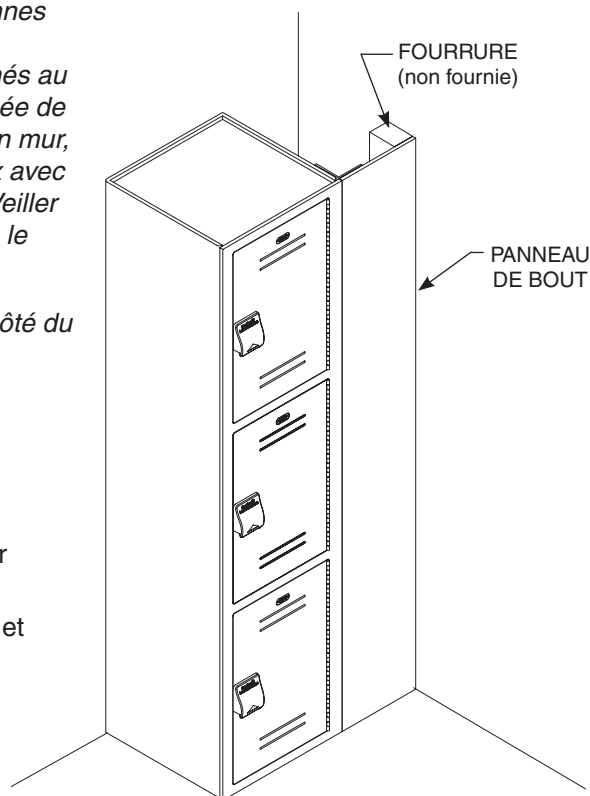


Figure 5

## 6 Pose des plaques numérotées



Les plaques numérotées se posent sur les casiers standards et « Z » seulement. Les casiers ouverts ne comportent pas de plaque numérotée.

1. Déterminer l'ordre de numérotation des casiers.
2. Placer la plaque numérotée dans le renforcement de la porte du casier (voir Figure 6).
3. Tenir la plaque en place avec le doigt et, à l'aide d'une pince à rivet, poser deux rivets aveugles à travers la plaque depuis l'avant du casier.

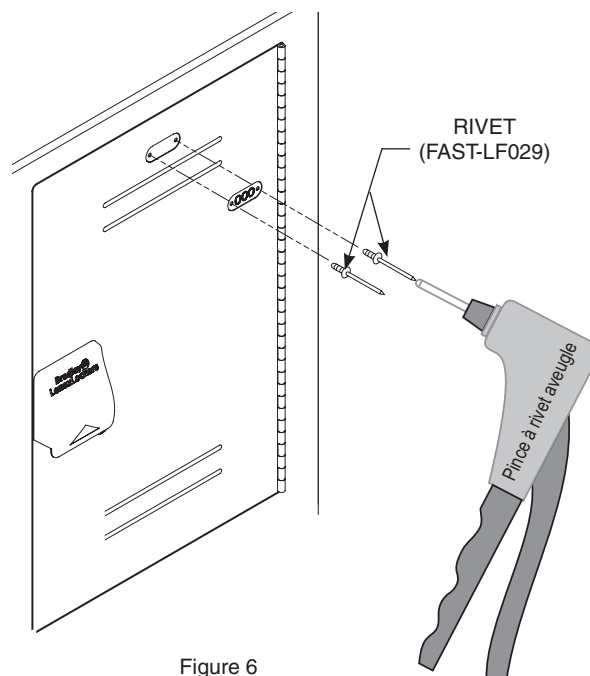


Figure 6

## 7a Installation du toit incliné de casier en option



Les Figures 7a à 7e montrent des casiers triples standards. Les toits inclinés des casiers ouverts et « Z » sont similaires



Les toits inclinés sont livrés dans des longueurs standard et sont faciles à modifier durant l'installation. Cette modification est souvent nécessaire pour répondre à diverses situations de pose. Utiliser une scie à panneaux pour couper les éléments de toit incliné à la bonne longueur le cas échéant.



Utiliser le toit incliné d'angle comme indiqué à la Figure 7c, page 25.

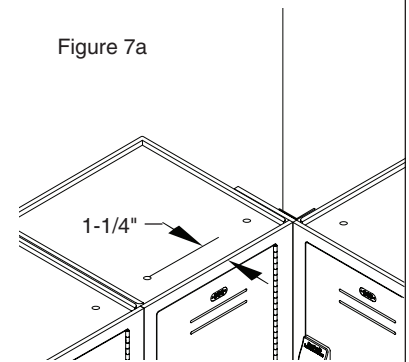


Ne raccourcir les toits inclinés d'angle que s'ils dépassent du bord du casier.



Les lattes murales doivent avoir une longueur maximale de 137 cm (54 po). La couleur des lattes murales peut varier.

Figure 7a



1. Percer le nombre approprié de trous de passage de 3/16 po de dia. à travers le dessus des casiers installés, en veillant à bien placer ces trous à 32 mm (1-1/4 po) du bord avant du casier. Cette dimension est essentielle pour assurer une installation correcte (voir Figure 7a).

- Trous de vis de casier nécessaires : toits inclinés de moins de 46 cm (18 po) de long, deux trous; 46 à 89 cm (18 à 35 po) de long, trois trous; 91 à 114 cm (36 à 45 po) de long, quatre trous; 183 cm (72 po) de long, six trous.

2. Placer la ou les lattes murales sur le dessus des casiers à plat contre le mur comme indiqué à la Figure 7b. Mesurer, tracer et percer des trous de fixation de 1/4 po dans la latte murale comme suit :

- MURS EN BÉTON/BRIQUES : Commencer à 25 mm (1 po) de chaque extrémité et espacer régulièrement les trous (ne pas dépasser 406 mm [16 po] d'espacement). Les trous doivent être placés à au moins 32 mm (1-1/4 po) du bord inférieur de la latte murale. Utiliser un foret à maçonnerie de 3/16 po et des vis Tapcon de 1/4 po x 1-3/4 po lg pour attacher la latte au mur.
- MURS EN OSSATURE : Percer les trous de fixation au niveau de chaque poteau couvert par la latte murale. Les trous doivent être placés à au moins 32 mm (1-1/4 po) du bord inférieur de la latte murale. Attacher la latte au mur avec des vis à tête cylindrique bombée n° 14 x 1-3/4 po lg.

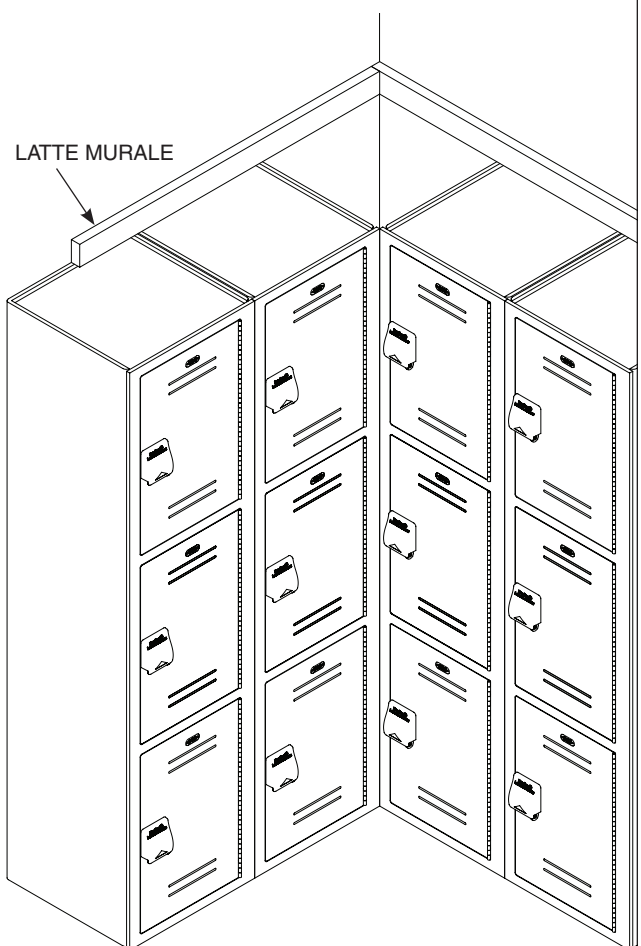


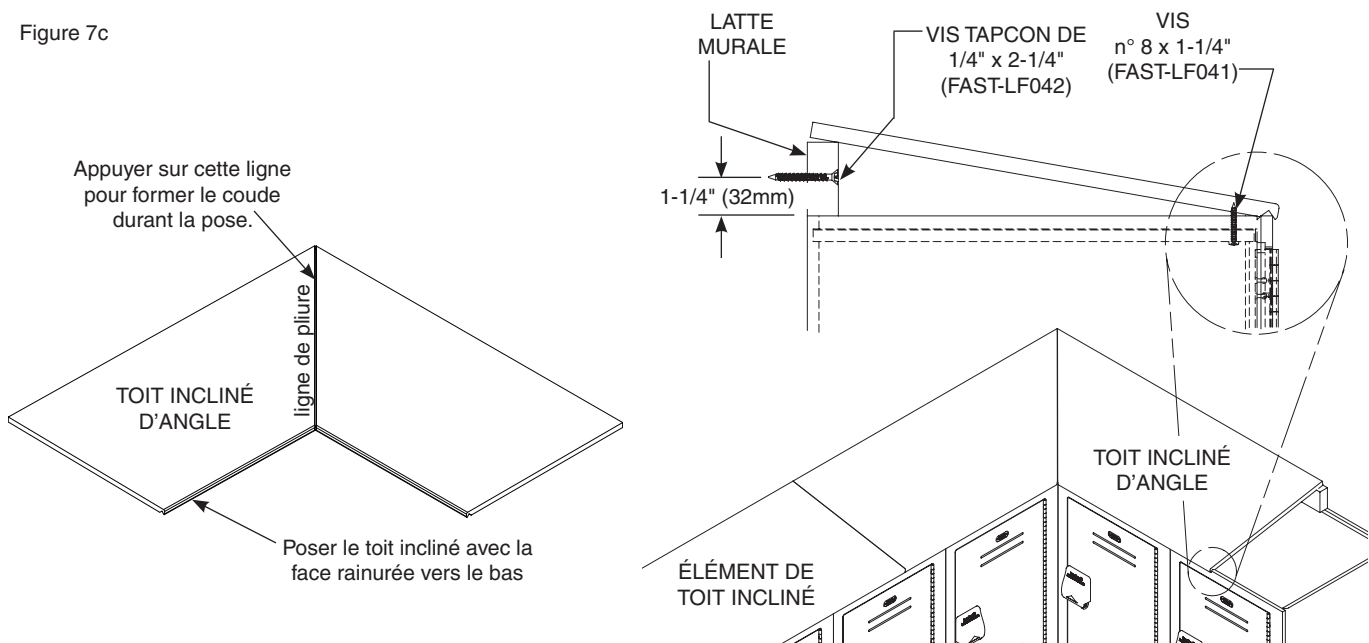
Figure 7b

## 7a Installation du toit incliné de casier en option (suite)

3. Si un toit incliné d'angle doit être installé, poser cet élément en premier. Engager la rainure du toit incliné sur le bord avant du casier tout en appuyant en même temps sur la ligne de pliure du toit incliné comme indiqué à la Figure 7c. Appuyer le bord arrière du toit incliné d'angle sur la latte murale.
4. Engager la rainure de l'élément de toit incliné suivant sur le bord avant du casier comme indiqué à la Figure 7c. Appuyer le bord arrière de l'élément de toit incliné sur la latte murale.
5. Attacher le toit incliné aux casiers avec les vis n° 8 x 1-1/4 po lg fournies (voir Figure 7c). Éviter de trop serrer les vis.
6. Le cas échéant, boucher au mastic l'interstice entre le bord arrière du toit incliné et le mur.
7. Mesurer, modifier et installer les éléments de toit incliné restants comme il se doit.

**AVIS! Le toit incliné d'angle est livré à plat avec un rainage de pliure au niveau du coude. Pour former le coude, appuyer sur la ligne de pliure durant la pose. NE PAS TROP PLIER.**

Figure 7c



## 7b Installation du toit plat de casier en option



Les toits plats sont livrés dans des longueurs standard et sont faciles à modifier durant l'installation. Cela est souvent nécessaire pour répondre à diverses situations de pose. Utiliser une scie à panneaux pour couper les éléments de toit plat à la bonne longueur le cas échéant.

1. Percer le nombre approprié de trous de passage de 3/16 po de dia. à travers le dessus des casiers installés à mi-distance entre l'avant et l'arrière du casier (voir Figure 7d).
  - Trous de vis de casier nécessaires : toits plats de moins de 46 cm (18 po) de long, deux trous; 46 à 89 cm (18 à 35 po) de long, trois; 91 à 114 cm (36 à 45 po) de long, quatre; 183 cm (72 po) de long, six.

**ATTENTION** Pour éviter les blessures, s'assurer que le bord arrondi du toit plat est vers l'avant des casiers et que l'arête vive est vers l'arrière des casiers.

2. En commençant dans l'angle et en progressant vers les extrémités, attacher le toit plat aux casiers avec des vis n° 8 x 1-1/8 po lg (non fournies) (voir Figure 7e). Éviter de trop serrer les vis.
3. Le cas échéant, boucher au mastic l'interstice entre le bord arrière du toit plat et le mur.
4. Mesurer, modifier et installer les éléments de toit plat restants comme il se doit.

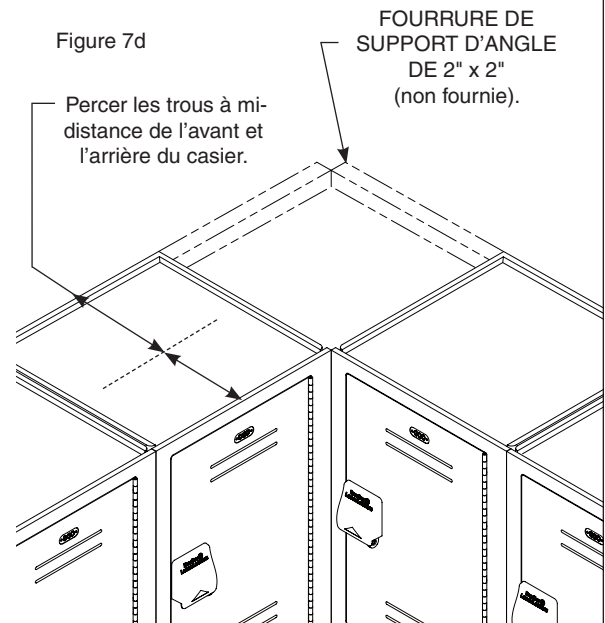
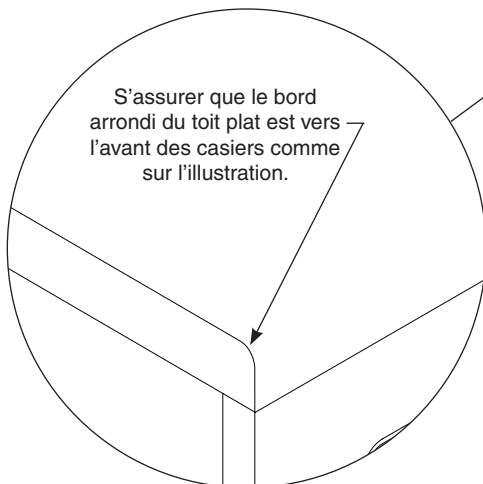
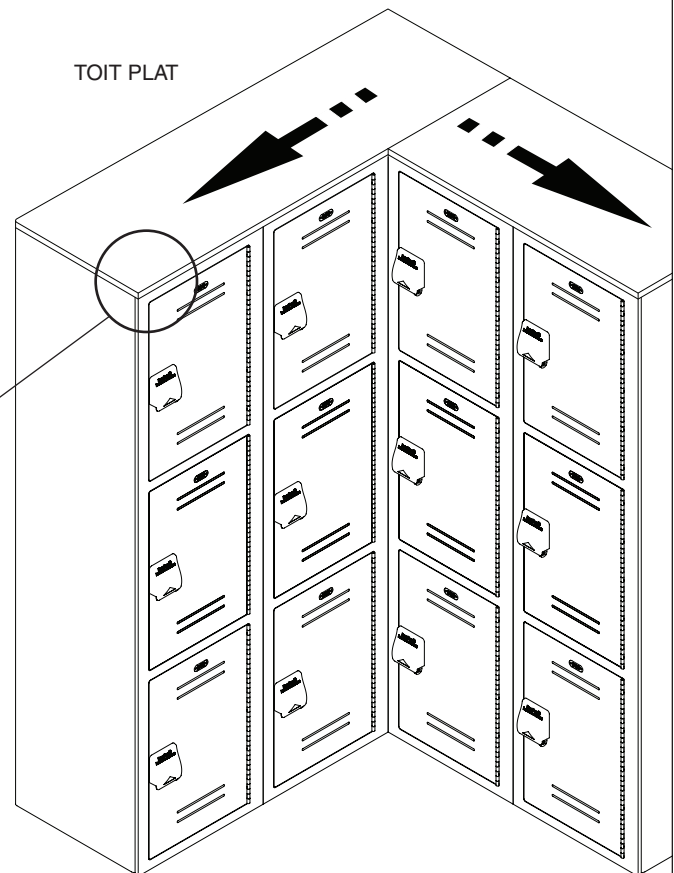


Figure 7d

Commencer dans l'angle et progresser vers les extrémités comme sur l'illustration.

Figure 7e



S'assurer que le bord arrondi du toit plat est vers l'avant des casiers comme sur l'illustration.



## 8 Installation des panneaux d'extrémité en option



*Le toit incliné en option n'est pas représenté à la Figure 8.*



*Les panneaux d'extrémité peuvent être coupés aux dimensions à l'aide d'une scie à panneaux le cas échéant. Seul le bord avant est arrondi et il ne devra pas être coupé.*

1. Percer cinq trous de 3/16 po à travers chaque côté de casier exposé sur lequel un panneau d'extrémité doit être attaché aux emplacements indiqués à la Figure 8. Ne pas percer le panneau d'extrémité.
2. Fixer le(s) panneau(x) d'extrémité au(x) casier(s) avec les vis n° 6 x 5/8 po lg fournies (voir Figure 8). Les vis doivent être insérés par l'intérieur du casier et vissées dans le panneau d'extrémité. Les vis ne doivent pas traverser complètement le panneau d'extrémité.

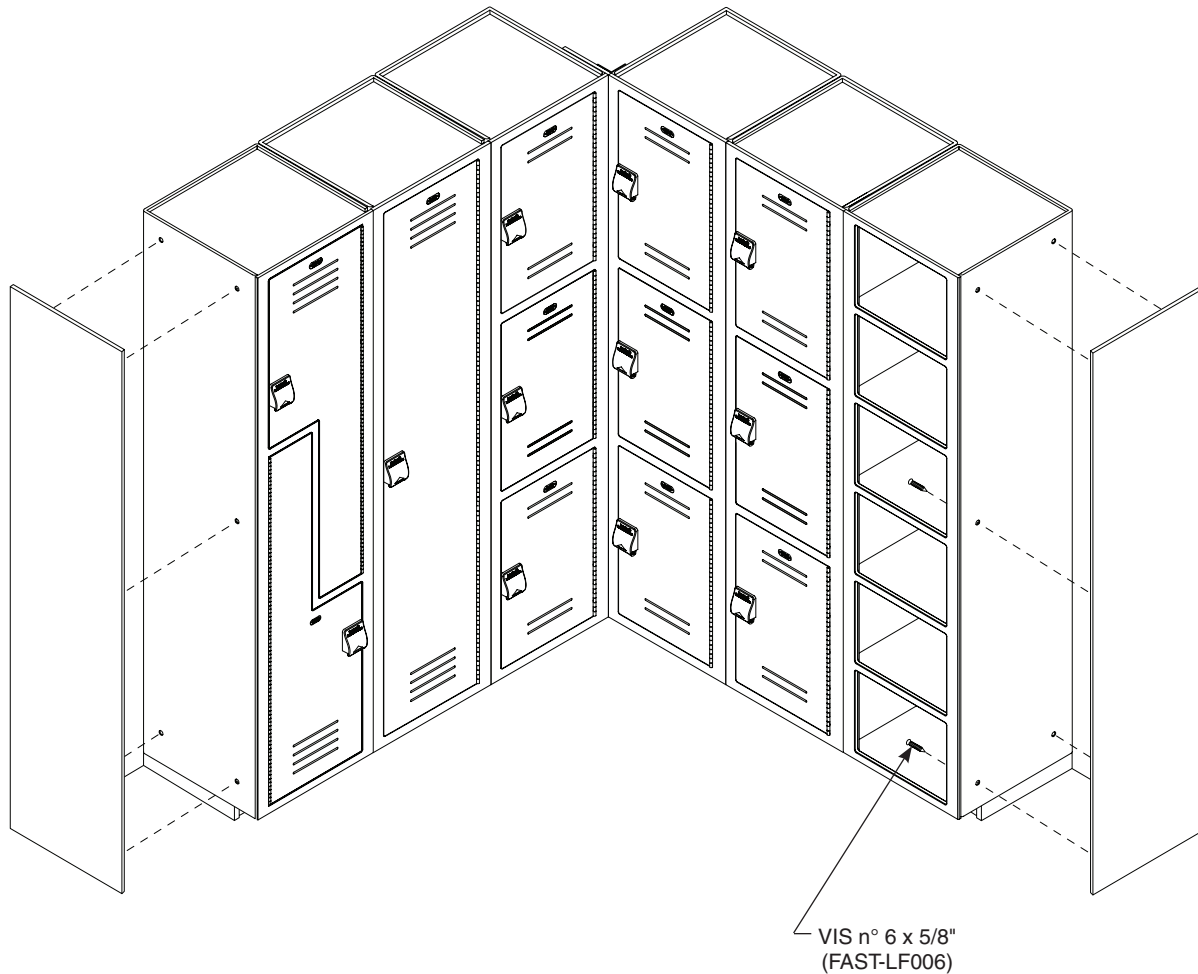


Figure 8



## 9 Installation de casiers dos à dos



L'installation des casiers dos à dos est semblable à l'installation standard. Les éléments de la base doivent être d'équerre et d'aplomb avant la pose des casiers.

1. Ancrer les pièces de la base au plancher à l'aide du matériel fourni (voir Étape 1 à la page 19).
2. Attacher les panneaux de remplissage aux casiers d'angle (voir Étape 2 à la page 20).
3. Mettre les casiers en place, d'équerre et d'aplomb, sur la base, en s'assurant que les dessus et faces avant sont alignés. Attacher provisoirement les casiers voisins l'un à l'autre avec des pinces au sommet et à la base. Percer quatre trous de 9/32 po à travers le casier. Ces trous doivent être placés à 38 mm (1-1/2 po) de l'avant du casier et régulièrement espacés de haut en bas (voir la Figure 3 le cas échéant).
4. Percer quatre trous de 9/32 po à travers l'arrière d'un des casiers accolés (voir Figure 9). Attacher les casiers l'un à l'autre avec les vis n° 10-24 et manchons filetés n° 10-24 x 3/4 po fournis.

**⚠ AVERTISSEMENT** La pose des casiers en îlot nécessite une fixation au plancher en plus de la fixation casier à casier.

**⚠ AVERTISSEMENT** Pour les planchers en béton, utiliser une perceuse à percussion avec un foret de 15 cm (6 po) de long pour percer les avant-trous.

5. Percer un avant-trou de 3/16 po à travers le bas de chaque casier et dans le plancher. Utiliser une perceuse équipée d'un foret de 15 cm (6 po) de long. Ces trous devront être placés vers l'avant des casiers. Percer un trou de passage de 9/32 po à travers le bas de chaque casier jusqu'au plancher. Fixer les casiers au plancher avec les vis Tapcon fournies.

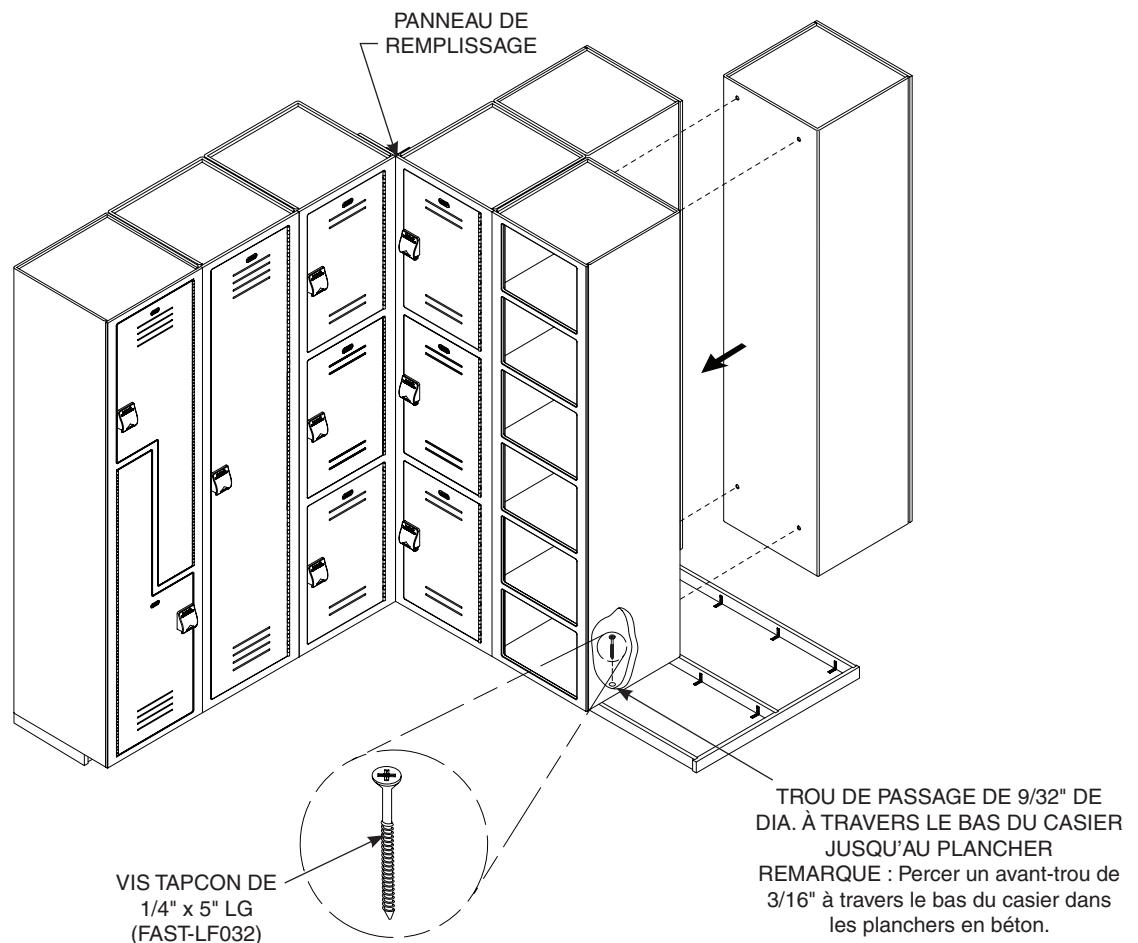


Figure 9

## 10 Installation du toit incliné sur des casiers dos à dos



Les lattes de fixation doivent avoir une longueur maximale de 137 cm (54 po). La couleur des lattes peut varier.

1. Percer des trous de passage de 3/16 po de dia. à travers le dessus des casiers installés, en veillant à bien placer ces trous à 32 mm (1-1/4 po) du bord avant du casier (voir Figure 7a à la page 24).
2. Placer les lattes de fixation sur le dessus des casiers comme indiqué à la Figure 10a.
3. Attacher provisoirement les lattes de fixation du toit incliné entre elles avec des pinces en s'assurant qu'elles sont à ras et alignées.
4. À l'aide des équerres de fixation de 2 po et de la visserie fournie, attacher les lattes de fixation au dessus des casiers comme indiqué à la Figure 10a. Percer des avant-trous de 1/16 po et 1/2 po de profondeur pour les vis n° 10 x 1/2 po de fixation des équerres et plaques métalliques à la base.
5. Placer le toit incliné sur le dessus des casiers comme indiqué à la Figure 10b, page 30, en engageant la rainure du toit incliné sur le bord avant du casier.
6. Appuyer le toit incliné fermement contre le dessus du casier et l'attacher avec les vis n° 8 x 1-1/4 po lg fournies (voir Figure 10b). Éviter de trop serrer les vis.
7. Poser les éléments de toit incliné restants conformément aux instructions ci-dessus.
8. Le cas échéant, boucher au mastic l'interstice entre le bord arrière du toit incliné et le mur.

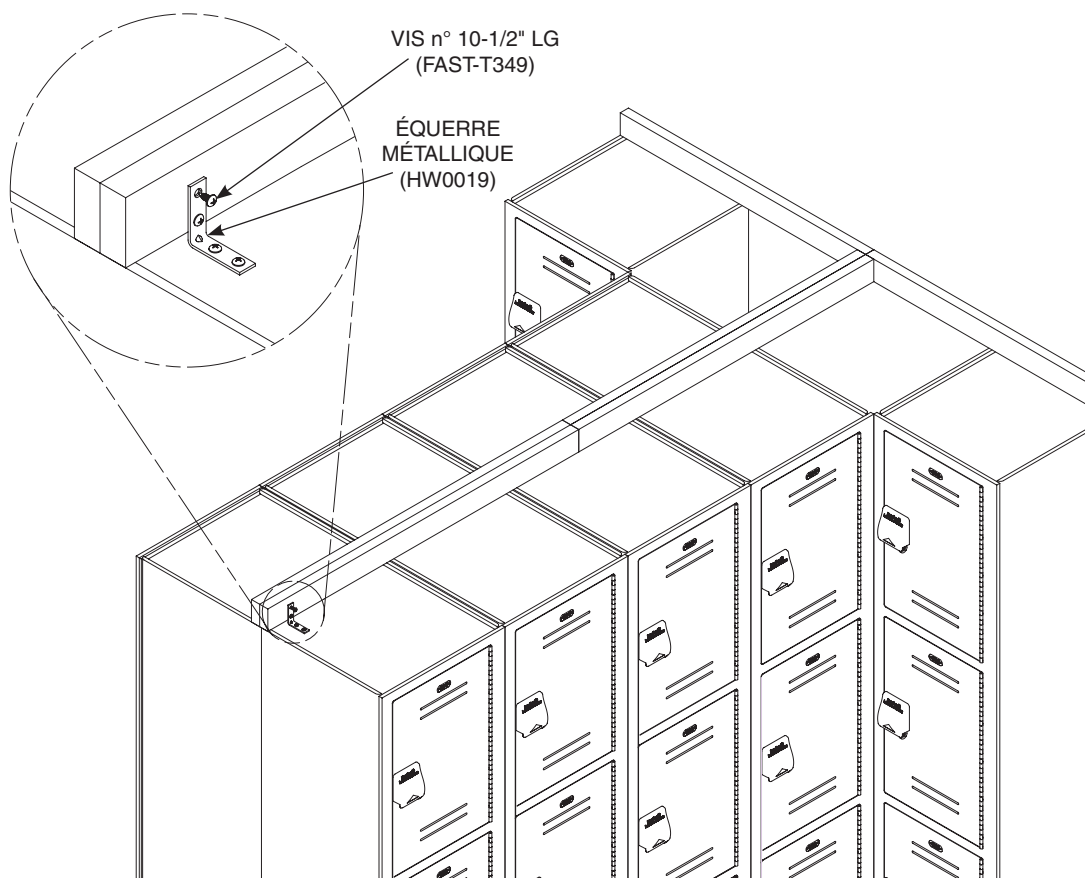


Figure 10a

## 10 Installation du toit incliné sur des casiers dos à dos (suite)

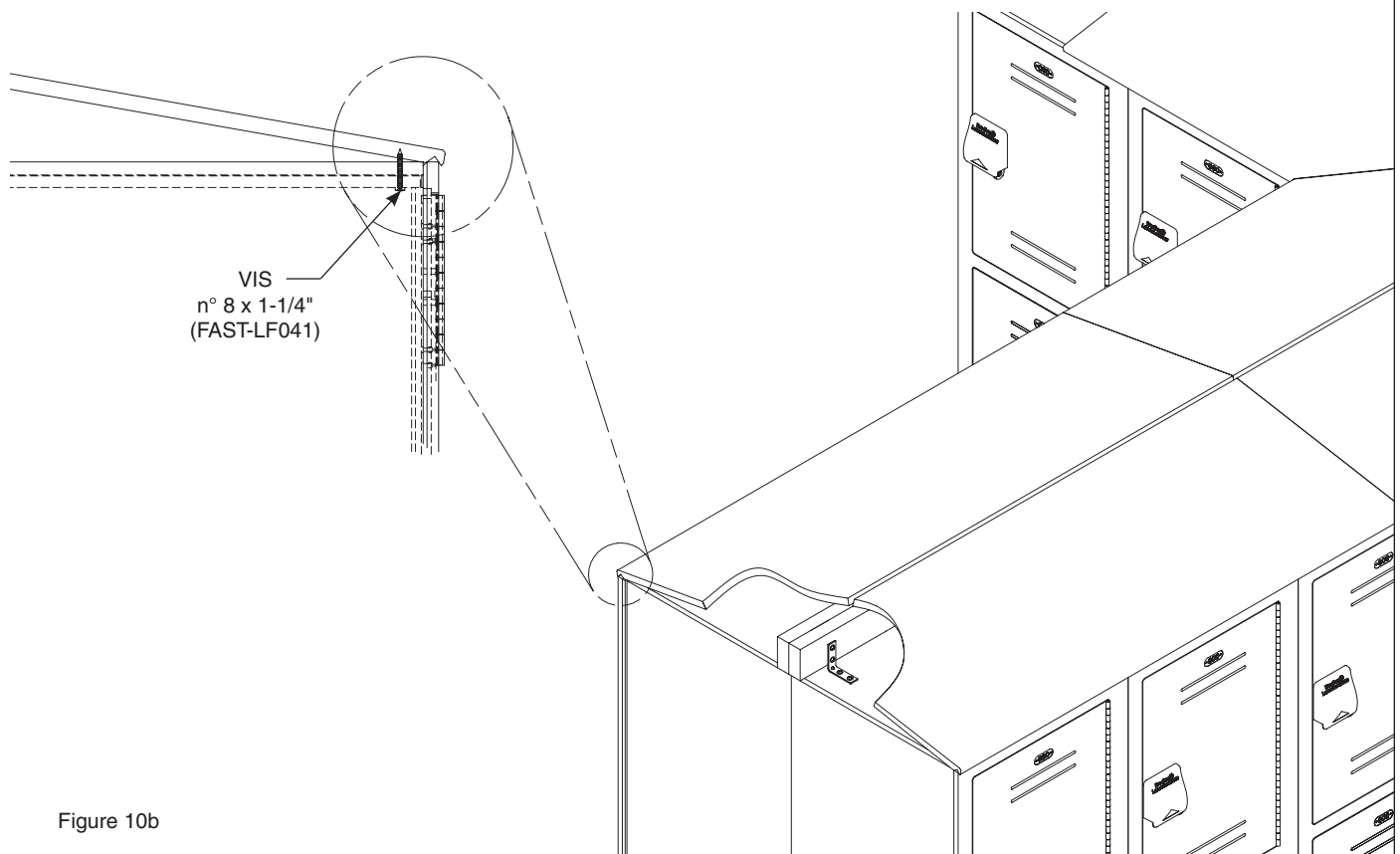


Figure 10b

## 11 Installation des panneaux d'extrémité d'îlot

1. Percer dix trous de 3/16 po à travers chacun des côtés de casier exposés sur lesquels un panneau d'extrémité doit être attaché. Ne pas percer le panneau d'extrémité.
2. Fixer le panneau d'extrémité aux casiers avec les vis n° 6 x 5/8 po lg fournies (voir Figure 11).



*Les vis doivent être insérés par l'intérieur du casier et vissés dans le panneau d'extrémité. Les vis ne doivent pas traverser complètement le panneau d'extrémité.*

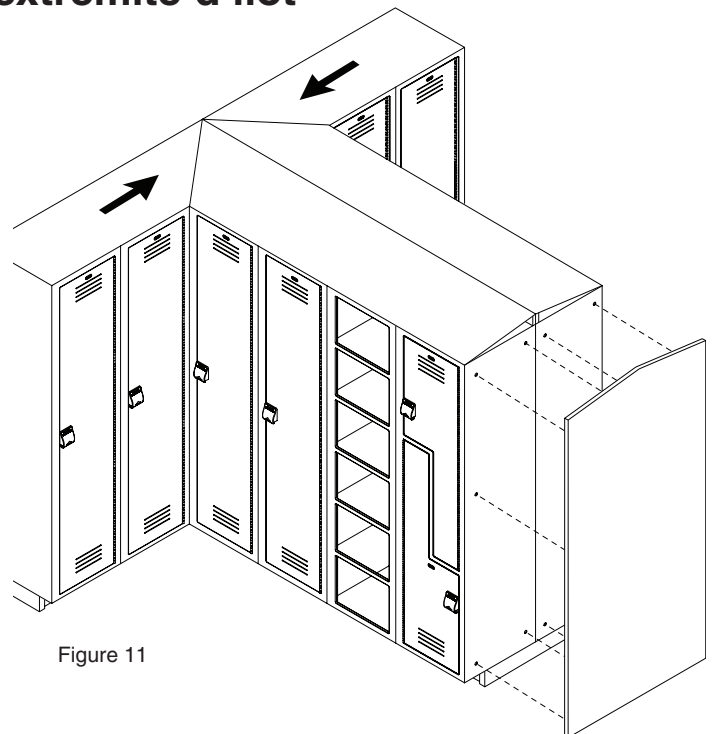


Figure 11

## ADVERTENCIA

Todos los casilleros deben estar fijos contra una pared o instalados espalda contra espalda (para una instalación en isla).

Los casilleros y los componentes de la parte superior inclinada son extremadamente pesados y puede que se necesite más de una persona para colocarlos e instalarlos.

No cumplir con estas instrucciones puede causar lesiones corporales o daños a la propiedad y anulará la garantía del casillero.

## AVISO

Los casilleros se deben instalar en un ambiente con clima controlado y protegidos de la luz solar directa.

Asegúrese de que todos los pisos y las paredes estén limpios y suaves. Retire obstáculos sueltos como clavos sobresalientes y otros residuos que pudieran afectar la instalación. Los casilleros deben estar cuadrados, nivelados Y apoyados en el piso o no funcionarán correctamente (un casillero que está cuadrado puede no estar nivelado, por lo que debe asegurarse de verificar ambos).

La base opcional de los casilleros debe estar cuadrada, nivelada y, además, debe estar anclada al piso antes de instalar los casilleros. Los casilleros no funcionarán correctamente si la base no está apoyada en el piso ni nivelada, aunque esté cuadrada. Una base para casilleros que está cuadrada puede no estar nivelada, por lo que debe asegurarse de verificar ambos.

Levante cuidadosamente los casilleros desde la base cuando los mueva y los coloque. No arrastre los casilleros.

## IMPORTANTE

Lea en su totalidad este manual de instalación para garantizar una instalación adecuada. Al completar la instalación, entregue este manual al propietario o al Departamento de Mantenimiento. Es responsabilidad del instalador cumplir a cabalidad los códigos y las ordenanzas locales.

Saque las piezas del embalaje y asegúrese de haberlas sacado todas antes de desecharlo. Si falta alguna pieza, no comience la instalación hasta obtenerla.

Revise los planos de diseño de los casilleros y verifique el número de casilleros y componentes antes de comenzar la instalación.

Los casilleros estándar se muestran en la mayoría de las ilustraciones. Los casilleros de cubículos y los casilleros "Z" son similares y se instalan de la misma forma.

Las garantías del producto se pueden encontrar en la sección "Products" (Productos) del sitio Web, [bradleycorp.com](http://bradleycorp.com).

## Información previa a la instalación

### Verifique los contenidos

Saque las piezas del embalaje y asegúrese de que tiene todas las piezas necesarias para la instalación. Si falta alguna pieza, no trate de instalar sus casilleros Lenox® hasta conseguirlas.

### Materiales necesarios

Para casilleros sin base, necesitará anclajes para piso y las piezas metálicas correspondientes adecuadas para la aplicación. Para piezas de relleno opcionales, necesitará bloques (para apoyo) y sujetadores adecuados.

### Herramientas necesarias

- Cinta métrica
- Broca de taladro de 9/32"
- Taladro de percusión (para perforar concreto)
- Escala de 1,8 m (6') y cuñas (para casilleros estándar)
- Pistola de remaches ciegos (para placas de números en casilleros estándar)
- Taladro mecánico de ángulo recto (para casilleros de 305 mm [12"] de ancho y de profundidad)
- OPCIONAL: tiza o cordel
- Taladro mecánico
- Puntas intercambiables Phillips
- Abrazaderas
- Broca de taladro de hormigón de 3/16" (mínimo 152 mm [6"] de largo)
- Sierra circular con hoja de puntas de carburo

### Consejos de instalación

Los casilleros que estén instalados correctamente necesitarán pocos ajustes. Sin embargo, los siguientes consejos pueden ser útiles:

- Una línea dibujada con tiza a lo largo de la parte superior de los casilleros proporcionará una inspección visual. Esto es solo una ayuda y no reemplaza la acción de cuadrar y nivelar los casilleros.
- También se puede utilizar una línea de cordel a lo largo de la parte superior e inferior de los casilleros para facilitar la alineación.
- Si se requieren cuñas después de que la instalación del casillero esté completa, retire los tornillos que obstruyen, coloque las cuñas y vuelva a colocar los tornillos.
- Evite girar las estructuras de los casilleros cuando coloque las cuñas.
- Perfore orificios guía cuando los sujetadores estén enroscados en los componentes plásticos.

## Lista de piezas metálicas (piezas metálicas proporcionadas por Bradley)



**FAST-LF015**

Tornillo Tapcon para montaje de la base y del casillero  
1/4" x 1-3/4" de largo



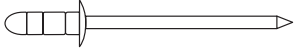
**FAST-T349**

Tornillo para la base n.º 10 x 1/2" de largo



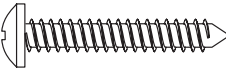
**FAST-LF026**

Tornillo para sujetar el casillero de esquina a la pieza de relleno  
n.º 6 x 1-1/2" de largo



**FAST-LF029**

Remache negro estriado para placas de números en casilleros  
estándar



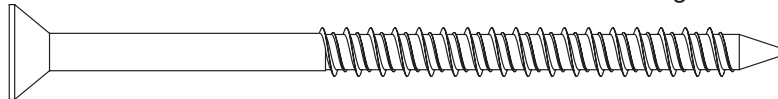
**FAST-LF041**

Tornillo para sujetar la parte superior inclinada al casillero  
n.º 8 x 1-1/4" de largo



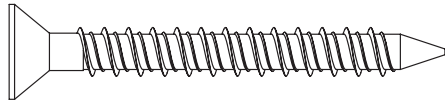
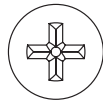
**FAST-LF006**

Tornillo para montaje de los paneles de los extremos  
n.º 6 x 5/8" de largo



**FAST-LF032**

Tornillo Tapcon para montaje del  
piso de los casilleros en isla  
1/4" x 5" de largo



**FAST-LF042**

Tornillo Tapcon para fijar la parte superior inclinada a la  
pared de concreto 1/4" x 2-1/4" de largo



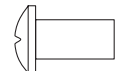
**FAST-LF030**

Tornillo macho y hembra para montaje de la pieza de relleno y  
para sujetar un casillero a otro n.º 10-24



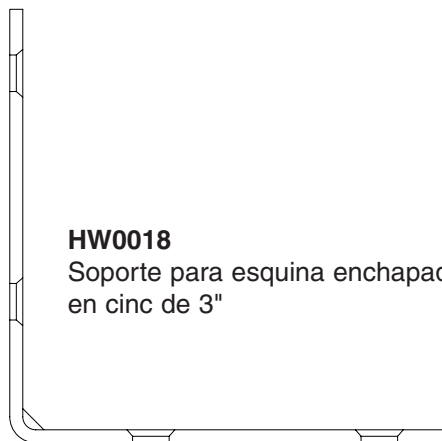
**FAST-LF031**

Tornillo macho y hembra para sujetar un casillero a otro n.º 10-24



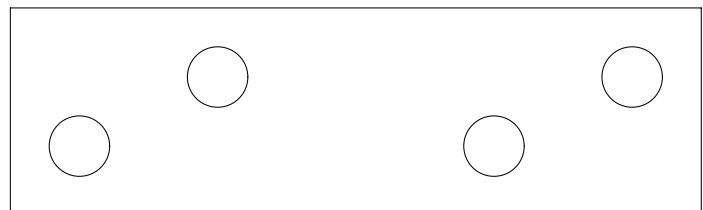
**FAST-LF044**

Tornillo macho y hembra para montaje de la pieza de relleno  
n.º 10-24 x 1/2"



**HW0018**

Soporte para esquina enchapado  
en cinc de 3"



**HW0048**

Placa de unión de 2-1/2"

# 1 Instalación opcional de la base del casillero

**AVISO!** Asegúrese de que la base esté cuadrada Y nivelada antes de anclarla al piso (la base puede estar cuadrada, pero no nivelada, por lo que debe asegurarse de verificar ambas). Esto garantizará el funcionamiento correcto del casillero.



Las secciones de la base se envían en longitudes estándar y vienen con tapas ranuradas. La longitud de las secciones de la base se pueden modificar fácilmente durante la instalación, solo necesita cortar uno de los extremos para obtener la longitud deseada. NO corte las tapas.

1. Mida y trace las líneas de ubicación para las secciones de la base del casillero.
2. Coloque las secciones de la base según el diseño original. Los extremos de las secciones de la base encajan en las ranuras de las tapas (consulte la Figura 1). Cuadre y aplome las secciones y las tapas con las cuñas según se requiera. Si se utilizan cuñas, colóquelas bajo los soportes de montaje de manera perpendicular al soporte.
3. Para tramos más largos de casilleros, puede que sea necesario que las secciones de la base estén conectadas. Perfore orificios guía de 1/16" a 1/2" de profundidad para los tornillos n.º 10 x 1/2" que fijan el soporte de ángulo y la placa de unión a la base. Use la placa de unión y los tornillos n.º 10 x 1/2" proporcionados para conectar las piezas (consulte la Figura 1).
4. Use la pieza metálica de montaje proporcionada correspondiente para anclar las secciones de la base al piso. Utilice una broca de taladro de hormigón de 3/16" para los tornillos Tapcon de 1/4" x 1-3/4" (consulte el recuadro de la Figura 1).

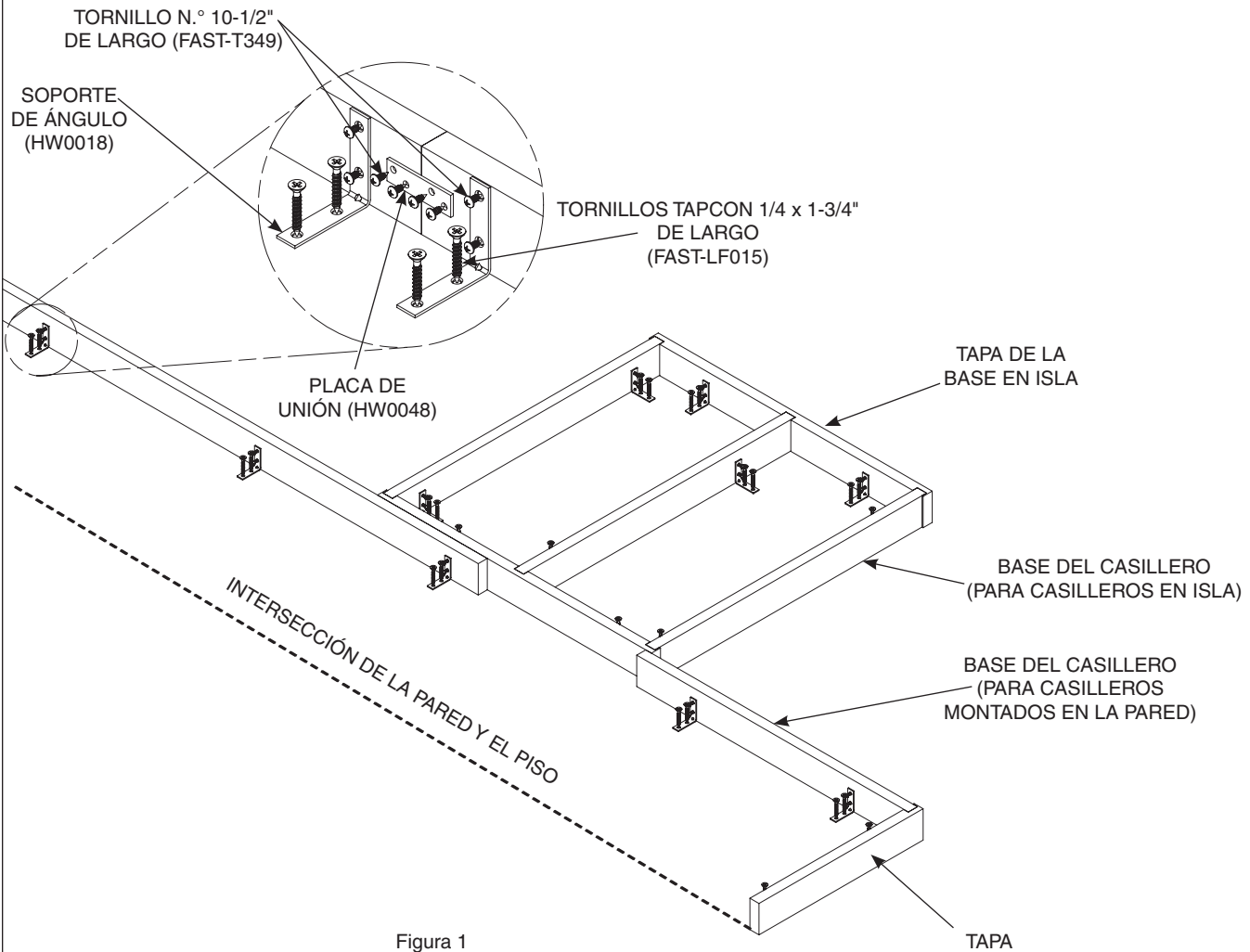


Figura 1

## 2 Instalación opcional de la pieza de relleno para esquinas



Las piezas de relleno para esquinas están diseñadas para cubrir los espacios en las esquinas (una pieza de relleno para esquinas se muestra en la Figura 3 en la página 36). Están sujetas al casillero con los tornillos macho n.º 10-24 y hembra 10-24 x 1/2" proporcionados.



Asegúrese de colocar la pieza de relleno en el lado correcto del casillero según el diseño original.

1. Alinee la pieza de relleno a la parte superior y frontal del casillero y fíjela en ese lugar temporalmente.
2. Perfore cuatro orificios de 9/32" de diámetro en el casillero con los orificios en la pieza de relleno como plantilla, como se muestra en la Figura 2.
3. Fije la pieza de relleno al casillero con los tornillos macho n.º 10-24 y hembra 10-24 x 1/2" proporcionados.

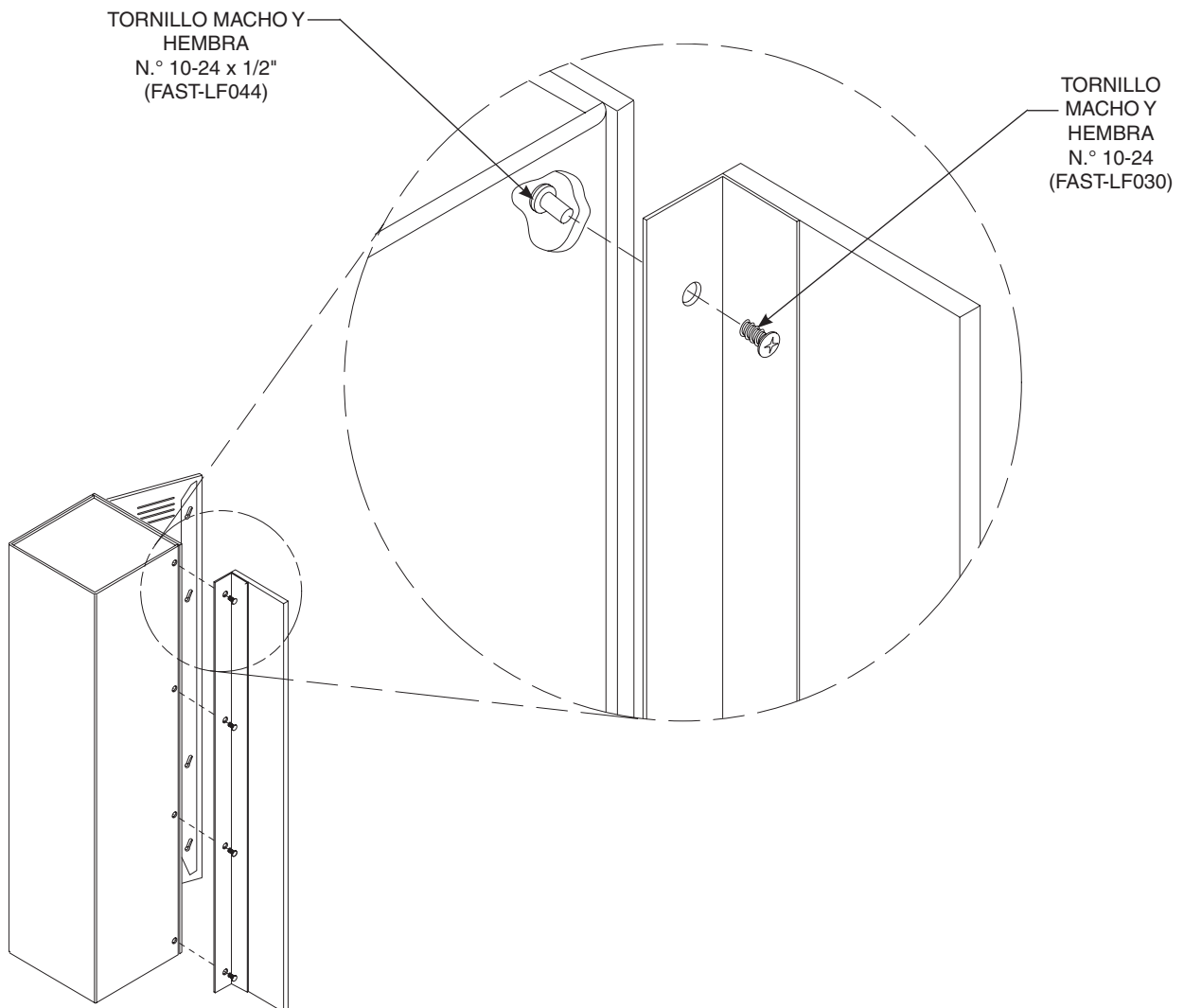


Figura 2



### 3 Instalación del casillero



Consulte los diseños originales para una ubicación correcta del casillero. El primer casillero se instala normalmente en una esquina o al final de un tramo.

**AVISO! Asegúrese de que cada casillero esté cuadrado Y nivelado antes de fijarlos (los casilleros pueden estar cuadrados, pero no nivelados, por lo que debe asegurarse de verificar ambos). Utilice las cuñas según sea necesario.**

1. Coloque el primer casillero de acuerdo con los diseños originales. Cuadre y aplome el casillero con las cuñas según se requiera. Fije el casillero a la pared en dos lugares con los dos tornillos Tapcon de 1/4" x 1-3/4" de largo. Centre los tornillos a lo ancho del casillero; luego, coloque uno cerca de la parte superior y otro cerca de la parte inferior, como se muestra en la Figura 3.
2. Coloque el segundo casillero al lado del primero. SOLO PARA CASILLEROS ESTÁNDAR: Cuadre y aplome el casillero con las cuñas (según se requiera) para alinear las partes superiores y frontales.

**AVISO! Los casilleros deben estar instalados y alineados entre sí.**

3. Fije temporalmente los casilleros en la parte superior e inferior. Perfore orificios de espacio de 9/32" en los casilleros, como se muestra en la Figura 3. Los orificios deben estar a 38 mm (1-1/2") de la parte frontal del casillero y separados uniformemente desde la parte superior hasta la parte inferior. Fije los casilleros entre sí con los tornillos macho n.º 10-24 y hembra n.º 10-24 x 3/4" proporcionados.
4. Coloque los casilleros adicionales de acuerdo con los diseños originales. Cuadre y aplome cada casillero con las cuñas según se requiera. Fije los casilleros entre sí con los tornillos macho n.º 10-24 y hembra n.º 10-24 x 3/4" proporcionados.
5. Fije cada casillero a la pared en dos lugares con las piezas metálicas adecuadas para instalación en la pared proporcionadas. Use dos tornillos Tapcon de 1/4" x 1-3/4" de largo, coloque uno cerca de la parte superior y el otro cerca de la parte inferior del casillero, como se muestra en la Figura 3.

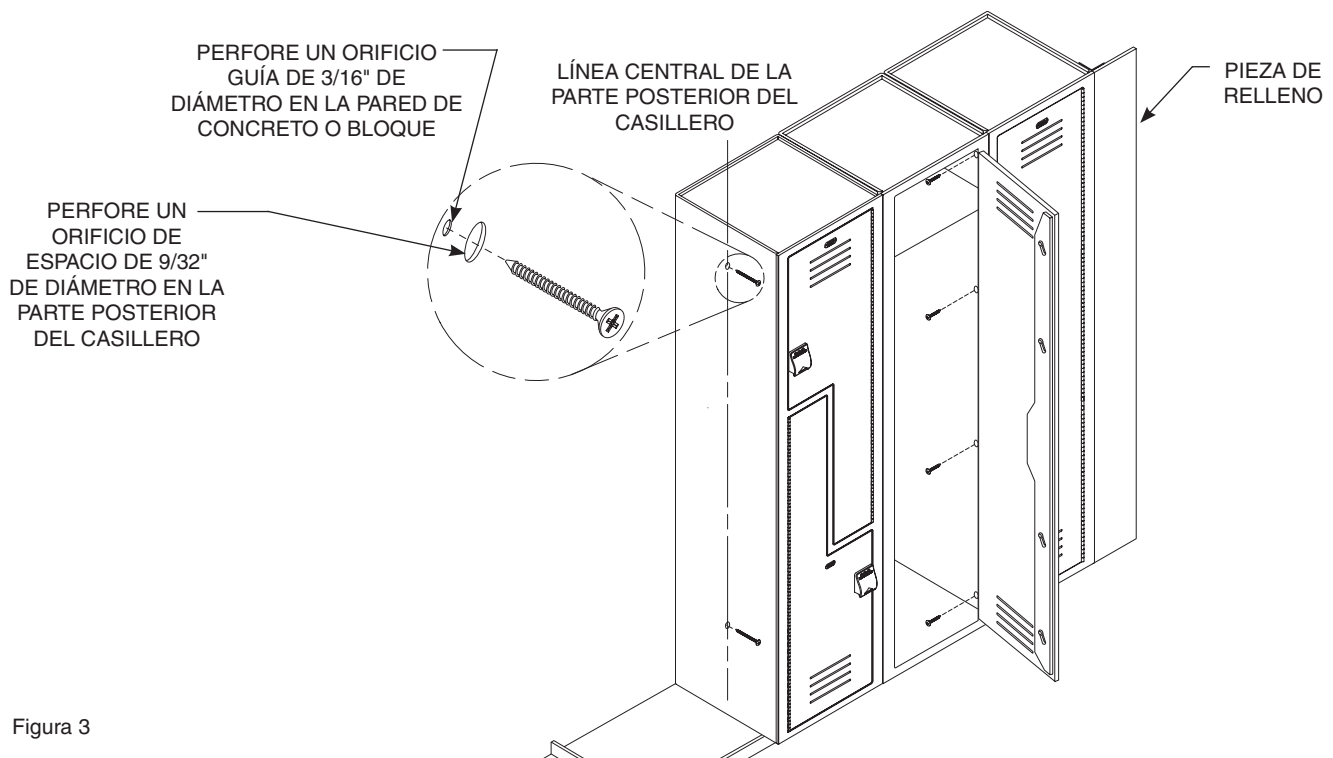


Figura 3

## 4 Instalación del casillero de esquina

1. Perfore cuatro orificios de espacio de 3/16" de diámetro a 38 mm (1-1/2") de la parte frontal del casillero solo a través de la caja del casillero (consulte la Figura 4). Fije el casillero a la pieza de relleno para esquinas con los tornillos n.º 6 x 1-1/2" proporcionados.
2. Fije cada casillero a la pared en dos lugares con dos tornillos Tapcon de 1/4" x 1-3/4" de largo, coloque uno cerca de la parte superior y el otro cerca de la parte inferior del casillero (consulte la Figura 3 en la página 36).
3. Coloque los casilleros adicionales de acuerdo con los diseños originales. Cuadre y aplome cada casillero con las cuñas según se requiera. Fije los casilleros entre sí con los tornillos de seguridad T-25 n.º 10 x 3/4" proporcionados.
4. Fije cada casillero a la pared en dos lugares con dos tornillos Tapcon de 1/4" x 1-3/4" de largo, coloque uno cerca de la parte superior y el otro cerca de la parte inferior del casillero (consulte la Figura 3 en la página 36).

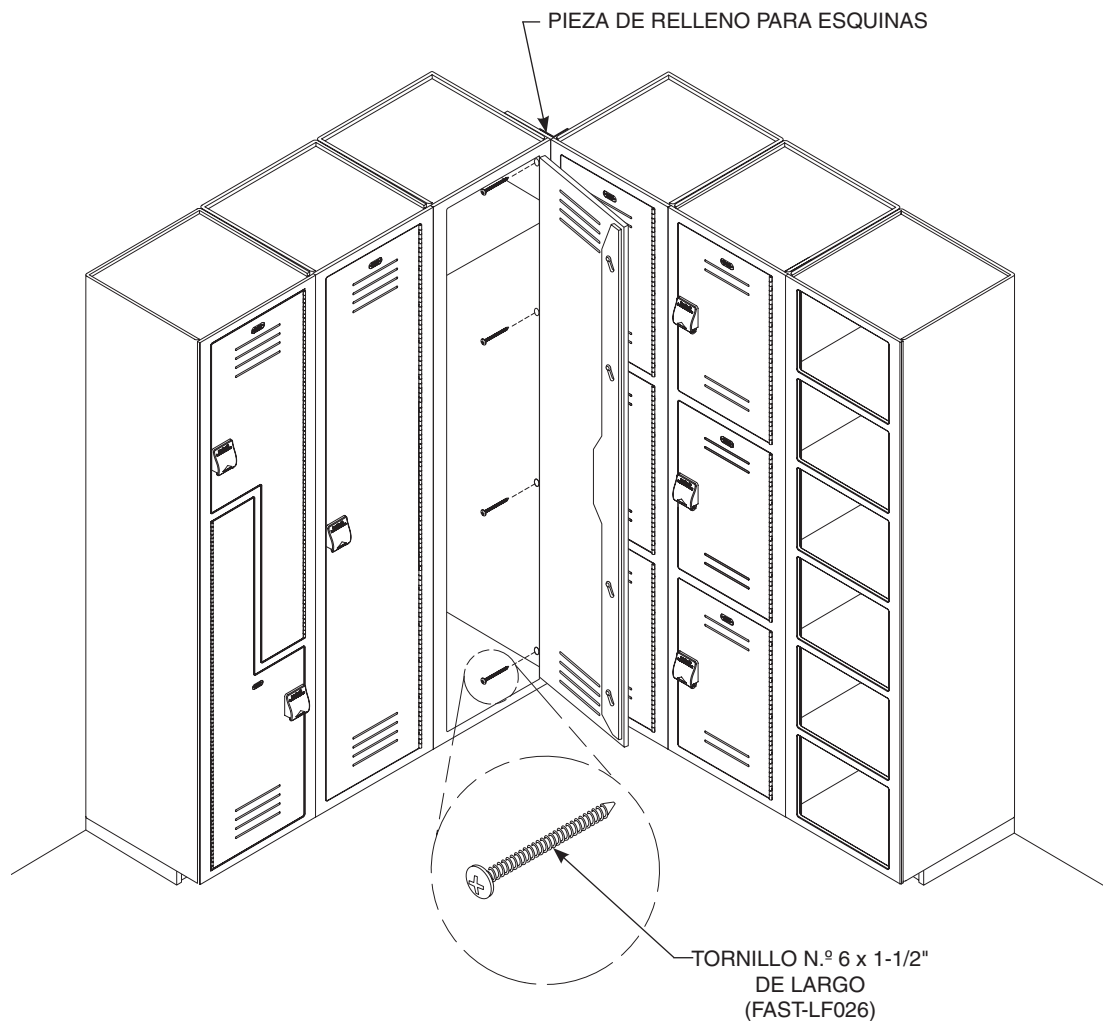


Figura 4

## 5 Instalación opcional de la pieza de relleno de los extremos



Las piezas de relleno están diseñadas para cubrir los espacios entre los tramos de casilleros. Las dimensiones están cortadas según el instalador y traen 3 o 4 sujetadores aptos proporcionados por el instalador. Las piezas de relleno se incluyen para un casillero o bloque contiguo (el bloque proporciona soporte en el extremo de un tramo de casilleros). Si las piezas de relleno están sujetas a una pared, sujete primero el bloque a la pared con sujetadores aptos (el bloque y los sujetadores los proporciona el instalador). Asegúrese de que el bloque está ubicado de forma que la pieza de relleno esté alineada con la parte frontal del casillero.



Asegúrese de colocar la pieza de relleno en el lado correcto del casillero según el diseño original.

1. Corte la pieza de relleno de los extremos del casillero para dimensionarla.
2. Alinee la pieza de relleno a la parte superior y frontal del casillero y fíjela en ese lugar temporalmente.
3. Perfore cuatro orificios de 9/32" de diámetro en el casillero con los orificios en la pieza de relleno como plantilla (consulte la Figura 2 en la página 35).
4. Fije un costado de la pieza de relleno al casillero con los tornillos macho n.º 10-24 y hembra n.º 10-24 x 1/2" proporcionados.
5. Fije el otro costado de la pieza de relleno al bloque (los sujetadores los proporciona el instalador).

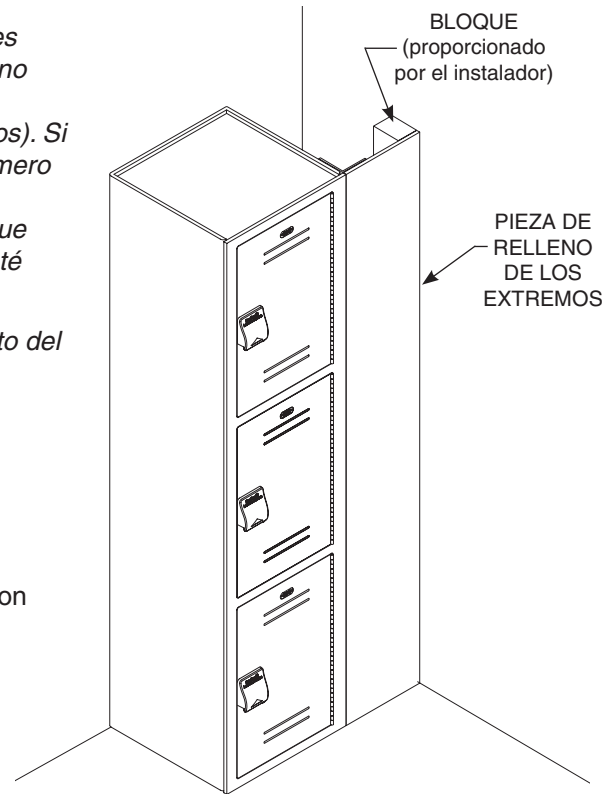


Figura 5

## 6 Instalación de la placa de número



La instalación de la placa de número es solo para casilleros "Z" estándar. Los casilleros de cubículos no tienen placa de número.

1. Determine la secuencia de números del casillero.
2. Coloque la placa de número en el hueco de la puerta del casillero (consulte la Figura 6).
3. Mantenga sujeta la placa con un dedo y utilice una pistola de remaches ciegos para instalar los dos remaches en la placa desde la parte frontal del casillero.

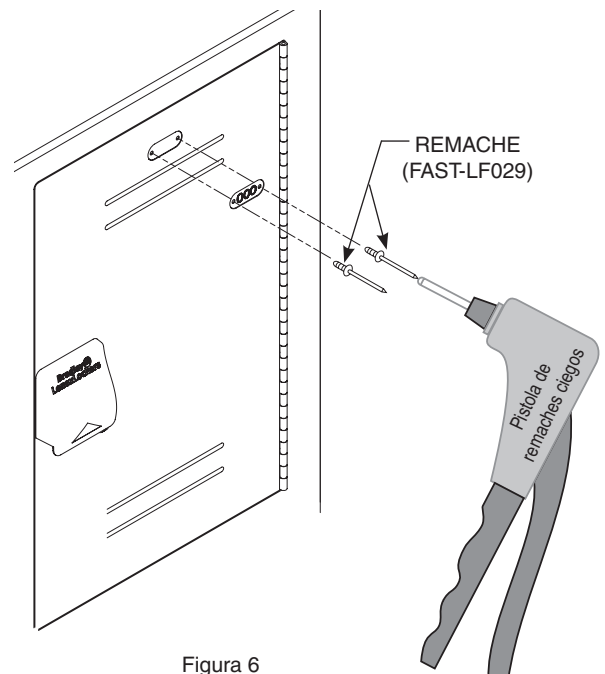


Figura 6

## 7a Instalación opcional de la parte superior inclinada del casillero



Los casilleros estándar de 3 niveles se muestran en las Figuras de la 7a a la 7e. Las partes superiores inclinadas y planas para los casilleros "Z" y de cubículos son similares.



Las partes superiores inclinadas se envían en longitudes estándar y se pueden modificar fácilmente durante la instalación. A menudo, esta modificación es necesaria para solucionar una variedad de situaciones de instalación. Use un serrucho de mano de dientes finos para cortar las secciones de la parte superior inclinada a la longitud deseada si es necesario.



Use la parte superior inclinada para esquinas en la esquina, como se muestra en la Figura 7c en la página 40.



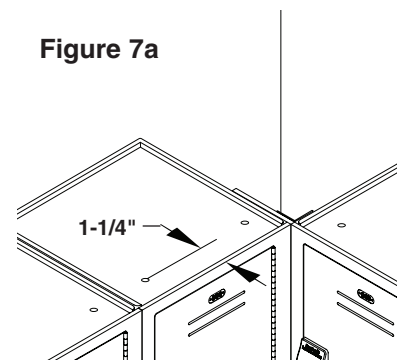
Las partes superiores inclinadas de las esquinas solo se deben recortar cuando se extienden más allá del borde del casillero.



Las regletas para pared tendrán una longitud máxima de 1372 mm (54"). El color de las regletas para pared puede variar.

- Perfore el número adecuado de orificios de espacio de 3/16" de diámetro en la parte superior de los casilleros instalados y asegúrese de que los orificios estén a 32 mm (1-1/4") del borde frontal del casillero. Esta dimensión es fundamental para garantizar una instalación adecuada (consulte la Figura 7a).
  - Requisitos para los orificios de los tornillos del casillero: partes superiores inclinadas de menos de 457 mm (18") de largo, dos orificios; entre 457 mm (18") y 889 (35") de largo, tres orificios; entre 914 mm (36") y 1143 mm (45"), cuatro orificios; 1829 mm (72") de largo, seis orificios.
- Coloque las regletas para pared (o regletas) en la parte superior de los casilleros alineados contra la pared, como se muestra en la Figura 7b. Mida, trace y perfore orificios de montaje de 1/4" en las regletas para pared según se indica a continuación:
  - PAREDES DE CONCRETO O BLOQUES:** Comience a 25 mm (1") de cada extremo y separe los orificios equitativamente (no exceda los 406 mm [16"] en los centros). Los orificios deben estar ubicados a al menos 32 mm (1-1/4") del borde inferior de la regleta para pared. Use una broca de taladro de hormigón de 3/16" y tornillos Tapcon de 1/4 x 1-3/4" de largo para anclar la regleta para pared a la pared.
  - PAREDES DE ENTRAMADO:** Perfore los orificios de montaje en cada ubicación del entramado cubierto por la regleta para pared. Los orificios deben estar ubicados a al menos 32 mm (1-1/4") del borde inferior de la regleta para pared. Ancle la regleta para pared a la pared con tornillos de cabeza troncocónica n.º 14 x 1-3/4" de largo.

Figure 7a



REGLETA PARA PARED

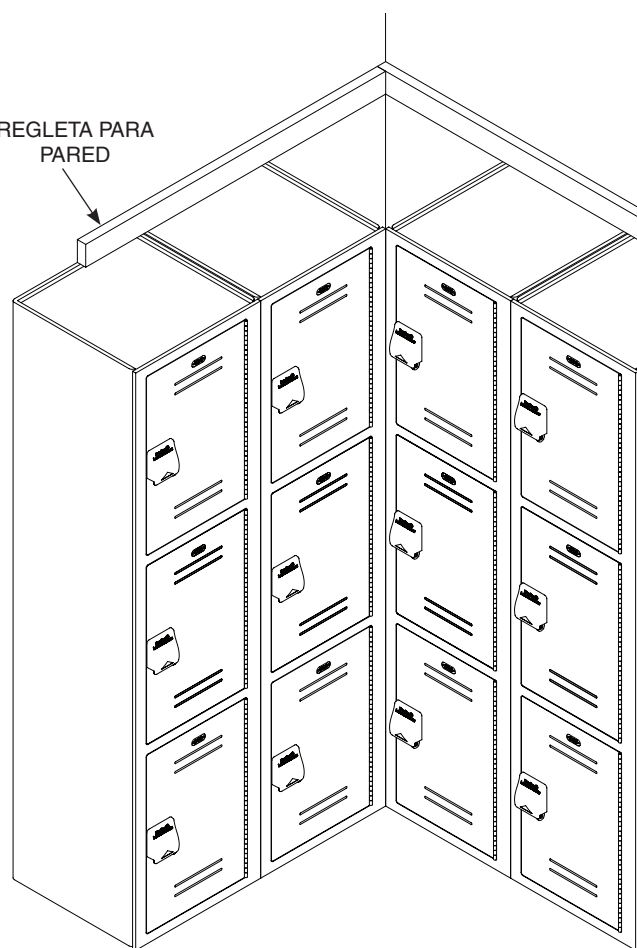


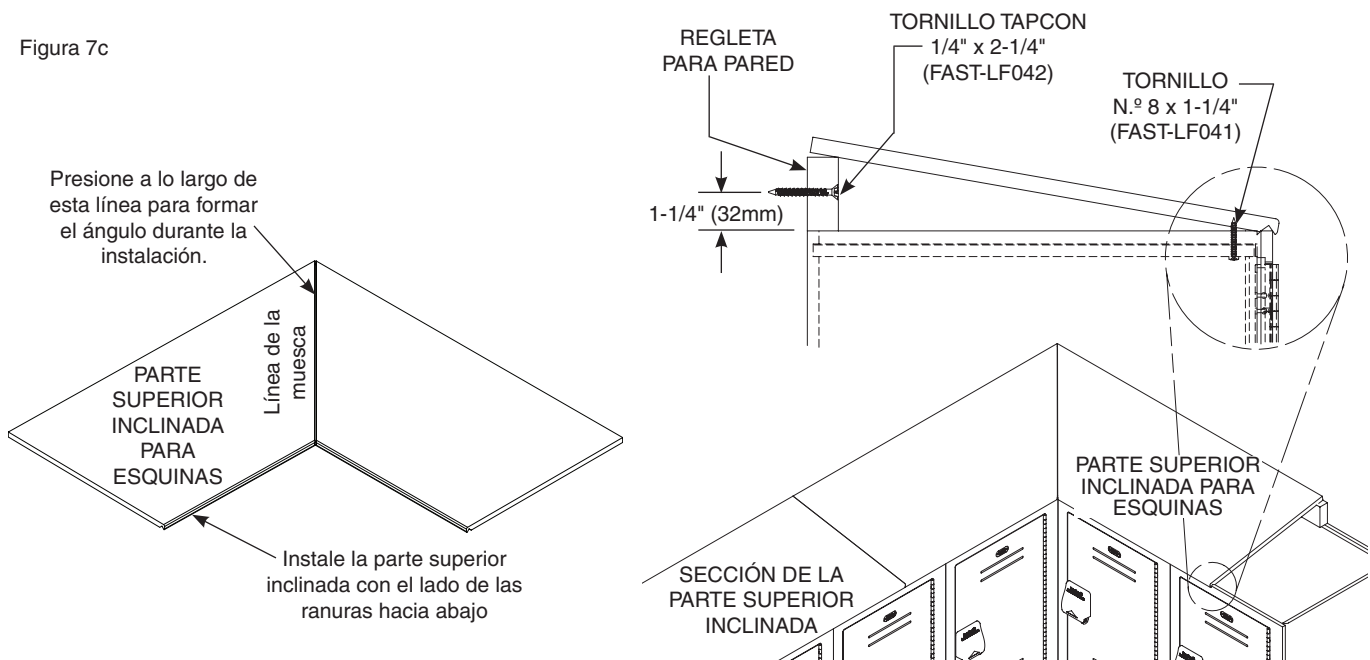
Figura 7b

## 7a Instalación opcional de la parte superior inclinada del casillero (cont.)

3. Si se está instalando una parte superior inclinada para esquinas, coloque primero esa parte superior inclinada. Encaje la ranura de la parte superior inclinada sobre el borde frontal del casillero al mismo tiempo que presiona en la línea de la muesca de la parte superior inclinada, como se muestra en la Figura 7c. Apoye el borde posterior de la parte superior inclinada para esquinas en la regleta para pared.
4. Encaje la ranura de la siguiente sección de la parte superior inclinada sobre el borde frontal del casillero, como se muestra en la Figura 7c. Apoye el borde posterior de la sección de la parte superior inclinada en la regleta para pared.
5. Fije la parte superior inclinada al casillero con los tornillos n.º 8 x 1-1/4" de largo proporcionados (consulte la Figura 7c). No apriete en exceso los tornillos.
6. Si lo desea, aplique masilla en el espacio del borde posterior de la parte superior inclinada donde se junta con la regleta para pared.
7. Mida, modifique e instale el resto de las partes superiores inclinadas para que encajen a la medida.

**AVISO! La parte superior inclinada para esquinas se envía plana con una muesca en el ángulo. Para formar el ángulo, presione la línea de la muesca durante la instalación. NO LAS CURVE DEMASIADO.**

Figura 7c



## 7b Instalación opcional de la parte superior plana del casillero



Las partes superiores planas se envían en longitudes estándar y se pueden modificar fácilmente durante la instalación. A menudo, esto es necesario para solucionar una variedad de situaciones de instalación. Use un serrucho de mano de dientes finos para cortar las secciones de la parte superior plana a la longitud adecuada si es necesario.

1. Perfore el número apropiado de orificios de espacio de 3/16" de diámetro en la parte superior de los casilleros instalados y de forma equidistante entre la parte frontal y la parte posterior del casillero (consulte la Figura 7d).
  - Requisitos para los orificios de los tornillos del casillero: partes superiores planas de menos de 457 mm (18") de largo, dos orificios; entre 457 mm (18") y 889 mm (35") de largo, tres; entre 914 mm (36") y 1143 mm (45"), cuatro; 1829 mm (72") de largo, seis.

**⚠ ATENCIÓN** Para evitar lesiones, asegúrese de que el borde redondeado de la parte superior plana esté colocado hacia la parte frontal de los casilleros y que el canto vivo esté colocado hacia la parte posterior de los casilleros.

2. Comience en la esquina y trabaje hacia afuera; fije la parte superior plana al casillero con los tornillos n.º 8 x 1-1/8" de largo (proporcionados por el instalador) (consulte la Figura 7e). No apriete en exceso los tornillos.
3. Si lo desea, aplique masilla en el espacio del borde posterior de la parte superior plana donde se junta con la pared.
4. Mida, modifique e instale el resto de las partes superiores planas para que encajen a la medida.

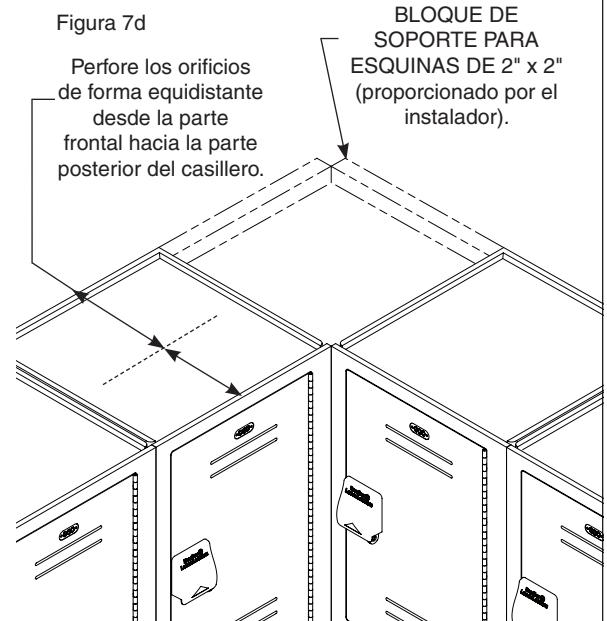
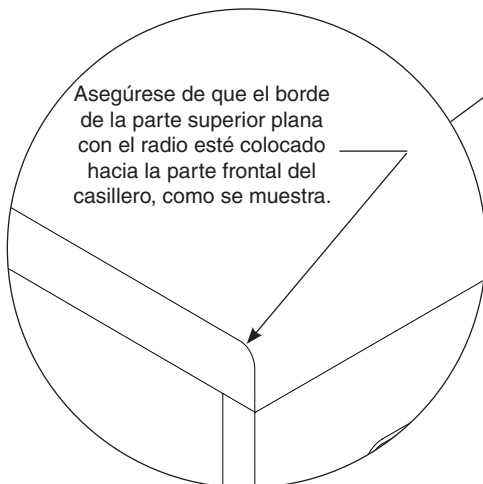
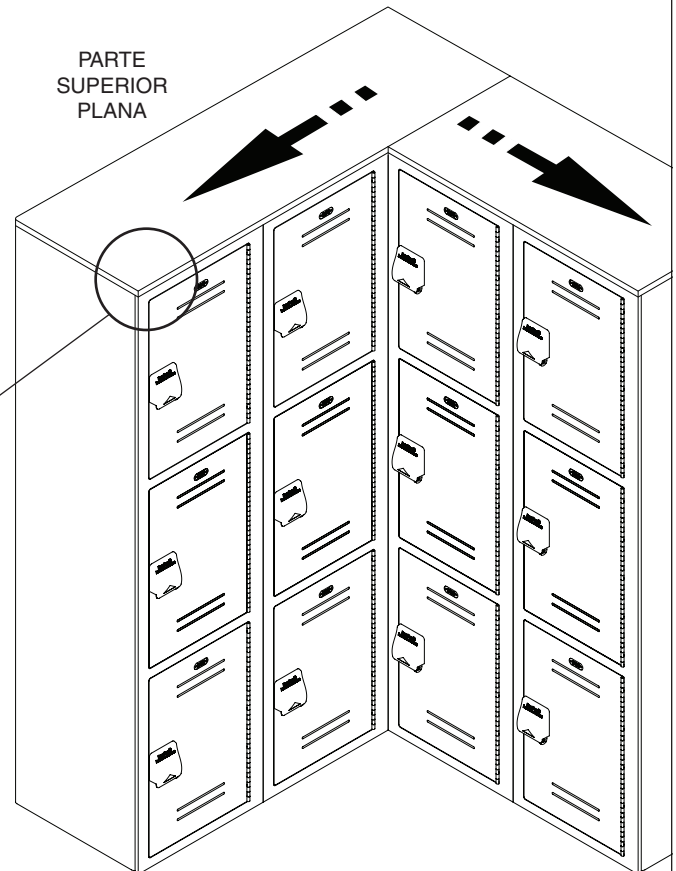


Figura 7e

Comience desde la esquina y trabaje hacia afuera, como se muestra.





## 8 Instalación opcional del panel del extremo



La parte superior inclinada opcional no se muestra en la Figura 8.



Los paneles de los extremos se pueden cortar a medida con un serrucho de mano de dientes finos si es necesario. Solo el borde frontal tiene un radio y no se debe cortar.

1. Perfore cinco orificios de 3/16" de diámetro en cada uno de los costados expuestos de los casilleros donde se debe ajustar el panel del extremo en los lugares que se muestran en la Figura 8. No perfore orificios en el panel del extremo.
2. Fije el panel del extremo a los casilleros con los tornillos n.º 6 x 5/8" de largo proporcionados (consulte la Figura 8). Los tornillos se deben insertar desde el interior del casillero y se deben atornillar en el panel del extremo. Los tornillos no sobresaldrán del panel del extremo.

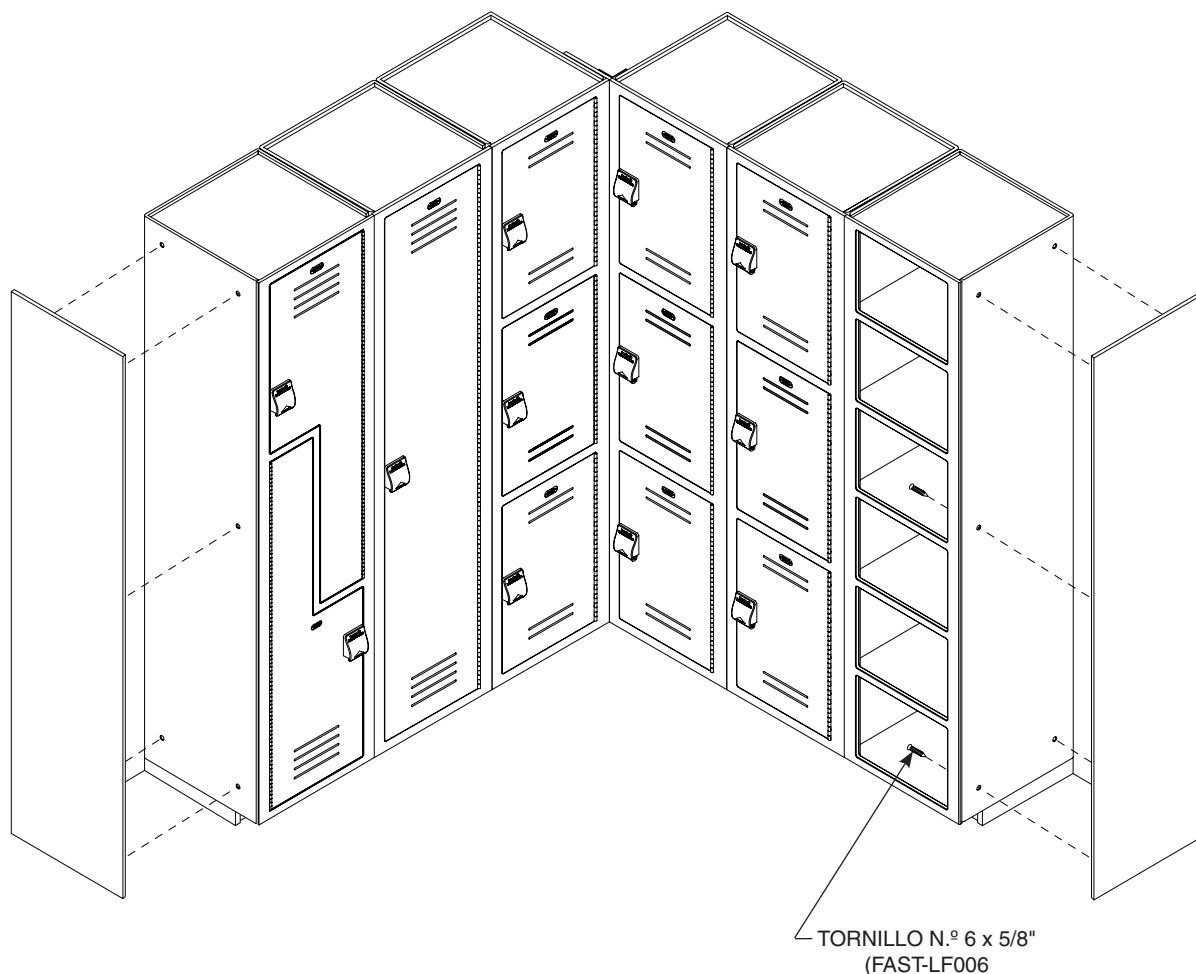


Figura 8

## 9 Instalación espalda contra espalda de los casilleros



La instalación espalda contra espalda de los casilleros es similar a la instalación estándar. Las secciones de la base deben estar cuadradas y aplomadas antes de instalar los casilleros.

1. Ancle las secciones de la base al piso con las piezas metálicas proporcionadas (consulte el Paso 1 en la página 34).
2. Fije las piezas de relleno a los casilleros de esquina (consulte el Paso 2 en la página 35).
3. Coloque, cuadre y aplome los casilleros en la base y asegúrese de que las partes superiores y frontales de los casilleros estén alineadas. Fije temporalmente los costados de casilleros adjuntos en la parte superior y la parte inferior. Perfore cuatro orificios de 9/32" en el casillero. Los orificios deben estar a 38 mm (1-1/2") de la parte frontal del casillero y separados uniformemente desde la parte superior hacia la parte inferior (consulte la Figura 3 en la página 36 si es necesario).
4. Perfore cuatro orificios de 9/32" en las partes posteriores de los casilleros adjuntos (consulte la Figura 9). Fije los casilleros con los tornillos macho n.º 10-24 y hembra n.º 10-24 x 3/4" proporcionados.

**⚠ ADVERTENCIA** La instalación en isla de los casilleros requiere de un montaje en el piso adicional a la conexión entre casilleros.

**⚠ ADVERTENCIA** Para pisos de concreto, utilice un taladro de percusión con una broca de 152 mm (6") de largo para realizar orificios guía.

5. Perfore un orificio guía de 3/16" en la parte inferior de cada casillero hacia el piso. Utilice un taladro con una broca de 152 mm (6") de largo. Los orificios deben estar ubicados cerca de la parte frontal del casillero. Perfore un orificio de espacio de 9/32" en la parte inferior de cada casillero hacia el piso. Fije los casilleros al piso con los tornillos Tapcon proporcionados.

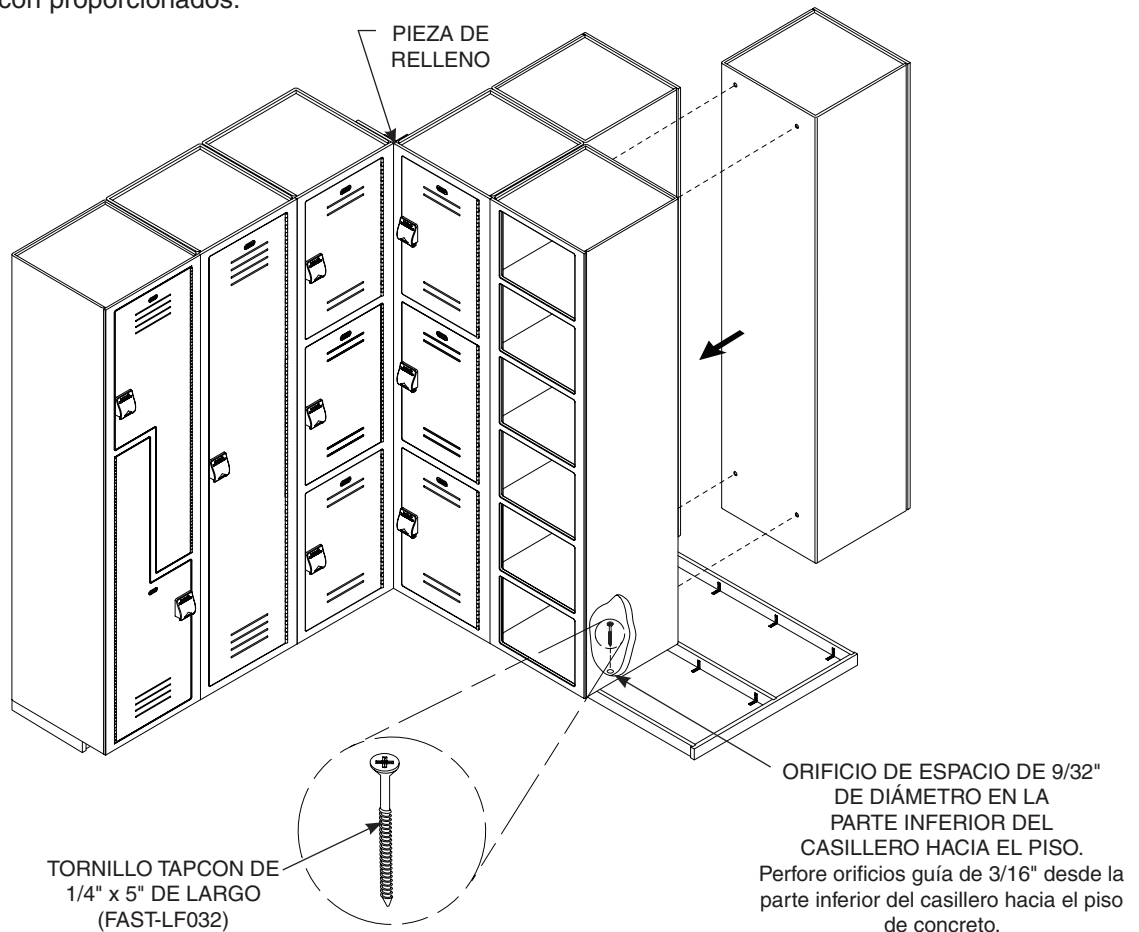


Figura 9



## 10 Instalación espalda contra espalda de la parte superior inclinada de los casilleros



Las regletas de montaje tendrán una longitud máxima de 1372 mm (54"). El color de las regletas puede variar.

1. Perfore orificios de espacio de 3/16" de diámetro en la parte superior de los casilleros instalados y asegúrese de que los orificios estén a 32 mm (1-1/4") del borde frontal del casillero (consulte la Figura 7a en la página 39).
2. Coloque las regletas para montaje de la parte superior inclinada en la parte superior de los casilleros, como se muestra en la Figura 10a.
3. Fije temporalmente las regletas para montaje de la parte superior inclinada y asegúrese de que estén alineadas.
4. Utilice los soportes de montaje de 2" y las piezas metálicas proporcionadas para anclar las regletas de montaje a la parte superior del casillero, como se muestra en la Figura 10a. Perfore orificios guía de 1/16" a 1/2" de profundidad para los tornillos n.º 10 x 1/2" que fijan el soporte de ángulo y la placa de unión a la base.
5. Coloque la parte superior inclinada en la parte superior de los casilleros, como se muestra en la Figura 10b en la página 45, y encaje la ranura de la parte superior inclinada sobre el borde del casillero.
6. Sujete firmemente la parte superior inclinada en la parte superior del casillero y fíjela con los tornillos n.º 8 x 1-1/4" proporcionados (consulte la Figura 10b). No apriete en exceso los tornillos.
7. Instale el resto de las secciones de la parte superior inclinada según las instrucciones indicadas anteriormente.
8. Si lo desea, aplique masilla en el espacio del borde posterior de la parte superior inclinada donde se junta con la regleta para pared.

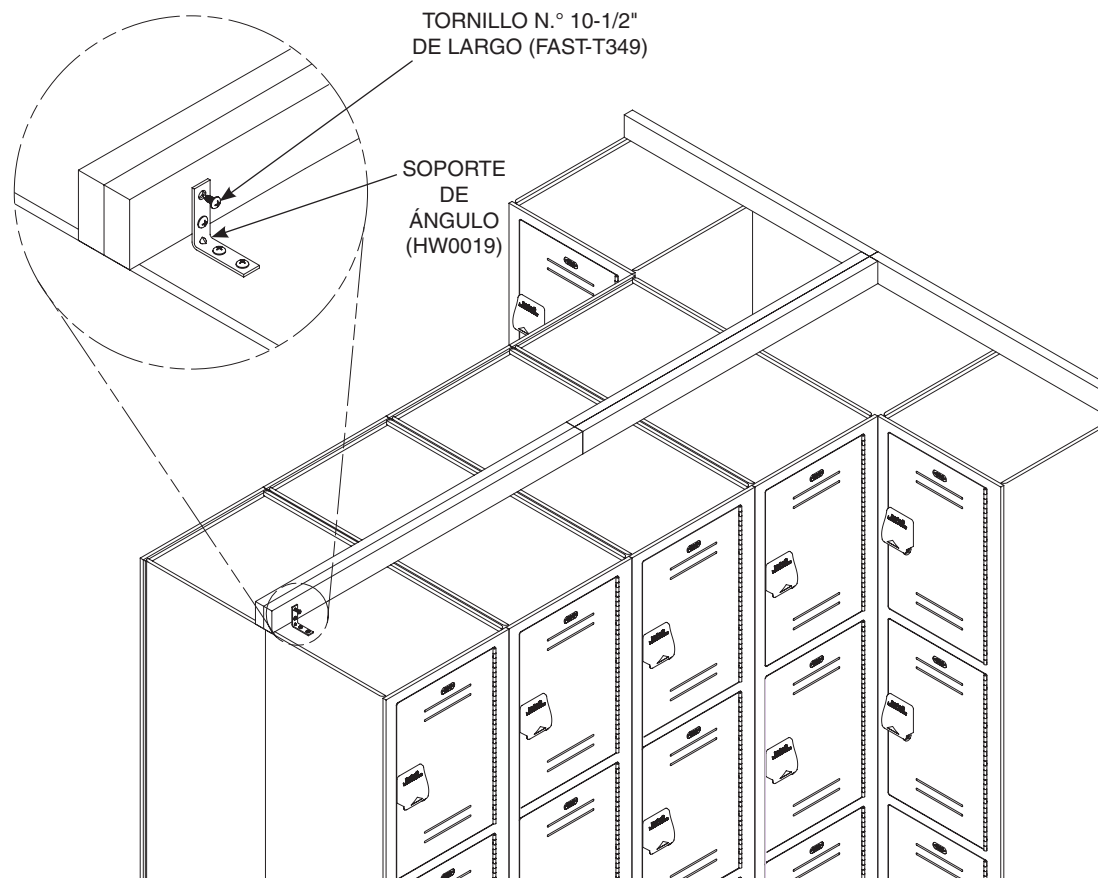


Figura 10a

## 10 Instalación espalda contra espalda de la parte superior inclinada de los casilleros (cont.)

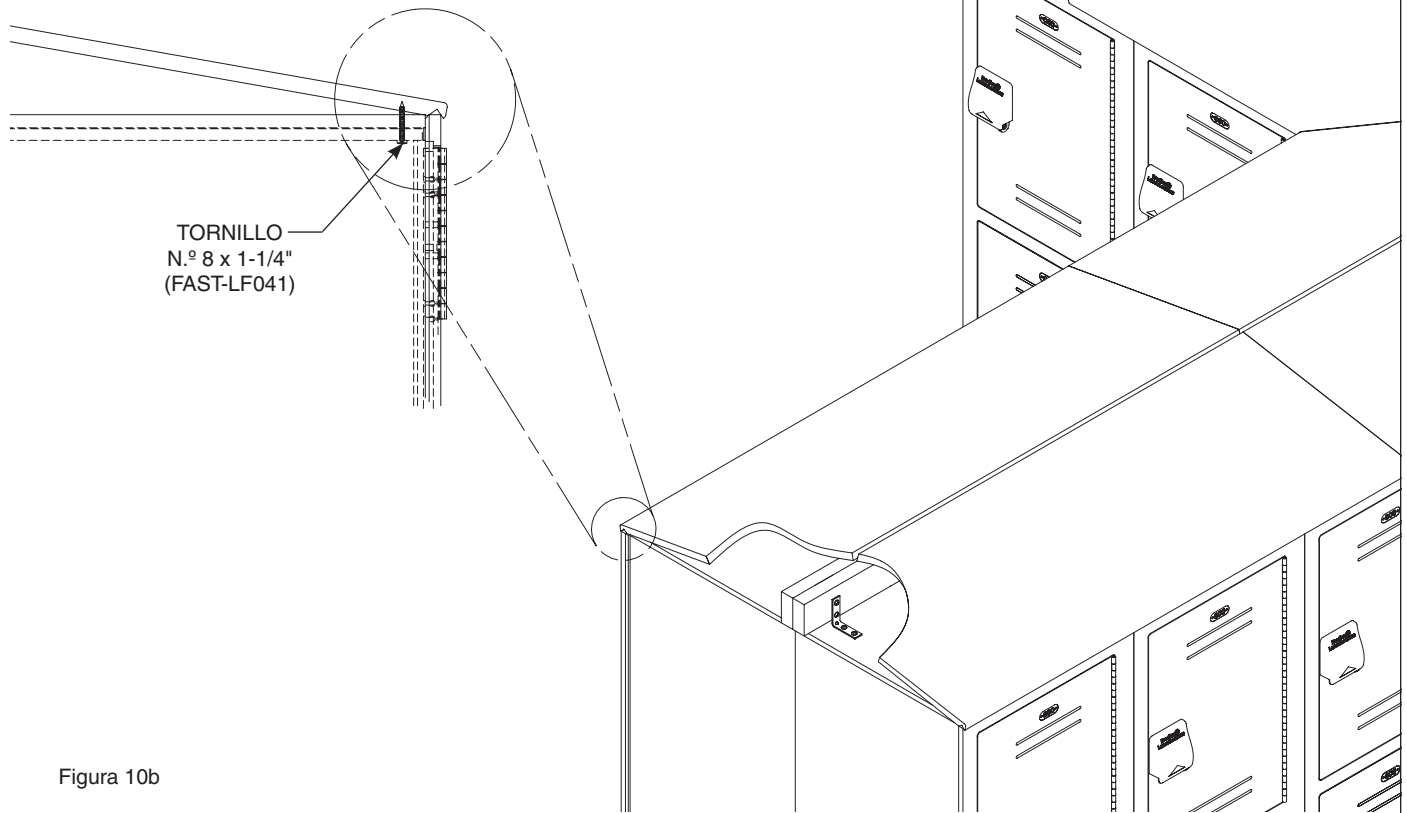


Figura 10b

## 11 Instalación del panel del extremo en isla

1. Perfore diez orificios de 3/16" de diámetro en cada uno de los costados expuestos de los casilleros donde se debe colocar el panel del extremo. No perfore orificios en el panel del extremo.
2. Fije el panel del extremo al casillero con los tornillos n.º 6 x 5/8" proporcionados (consulte la Figura 11).



Los tornillos se deben insertar desde el interior del casillero y se deben atornillar en el panel del extremo. Los tornillos no sobresaldrán del panel del extremo.

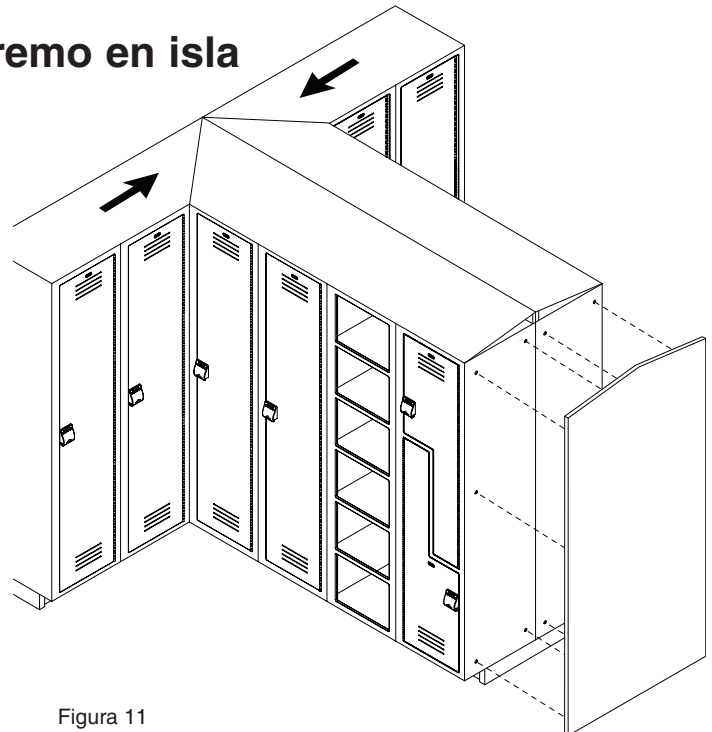


Figura 11