

Robot Pool Cleaner by Maytronics

EN User Instructions

FR Guide d'utilisation

IT Istruzioni per l'uso

SP Instrucciones para el Usuario

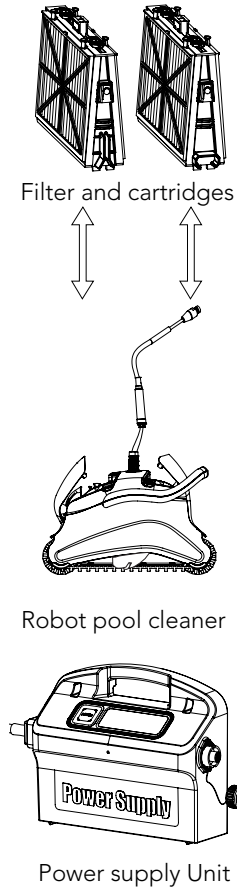
DEU Bedienungsanweisungen



MBC8-UNI

8151246 REV. 01

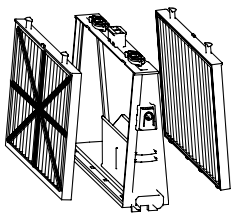
What You'll Find Inside the Box



Part	X	Comment
Base frame for filter elements	2	
Filters	2/4 Filters Depend on model	
Bag for filters storage	1	
Power supply unit	1	
Robot pool cleaner	1	
Optional components available on request from your robot pool cleaner distributor		

Section 1 - Description of Main Components

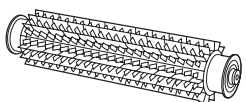
1. Filters



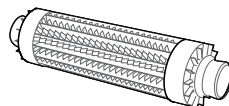
Base frame + fine or ultra-fine cartridge
Depend on model

2. Brushes

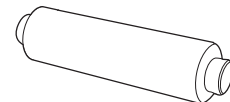
There are three types of optional brushes, each designed to provide optimal traction on different pool surfaces. Only one type set is provided with your robot pool cleaner.



PVC Brush
For concrete, PVC, fiberglass and liner.



Combined Brush
For rough ceramic surface and mosaic tiles.

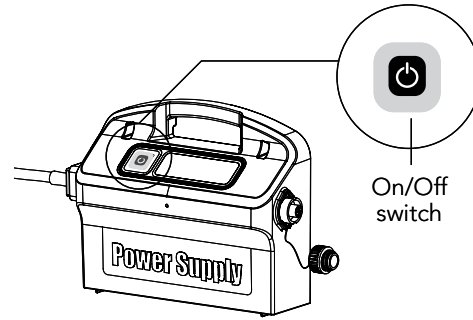


Wonder Brush
For smooth ceramics.

3. Power supply unit

Digital, "Switch-Mode" power supply:

- Input - 100-250 AC Volts
- 50-60 Hertz
- 180 Watt
- Output - 30 VDC
- IP 54

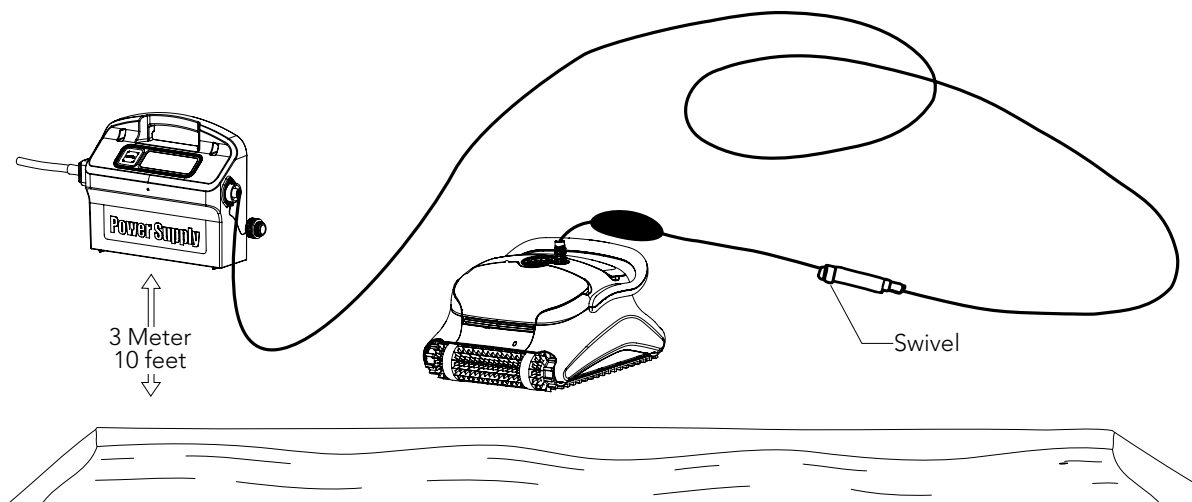


Section 2 – Robot pool cleaner Operation

Part 1 – Preparing the Robot Pool Cleaner for Use

Laying out the cable

Unwind minimal required cable to cover the entire pool size, straight the cable along the pool side. Make sure there are no twists or kinks.

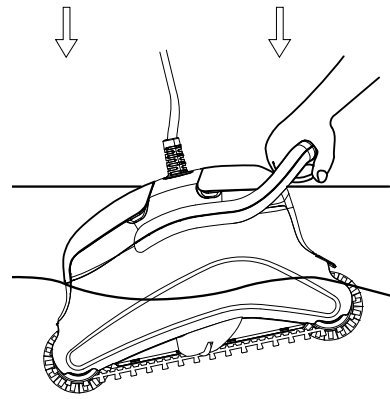


- ⚠ **Only use the original supplied power supply unit.**
- ⚠ **The Power supply unit is splash proof – do not immerse it in water.**
- ⚠ **Unplug the power supply unit before any servicing activity.**
- ⚠ **Do not plug the power supply unit in before placing the pool cleaner in the water.**
- ⚠ **Ensure the mains outlet is protected by a ground fault interrupter (GFI) or an earth leakage interrupter (ELI).**
- ⚠ **Important: Do not enter the swimming pool while the pool cleaner is working.**

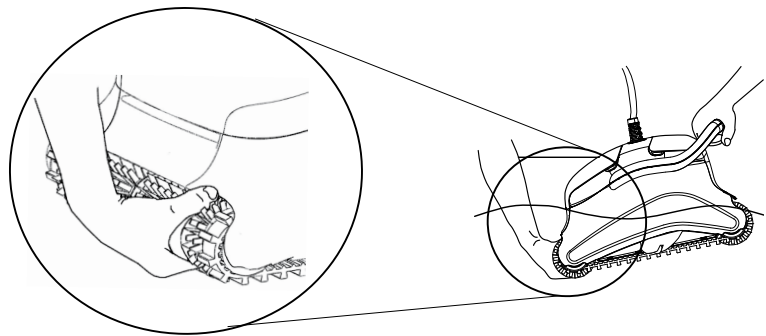
Part 2 - Into the water

Inserting the robot pool cleaner into the pool.

Place the robot pool cleaner into the pool and release the handle.

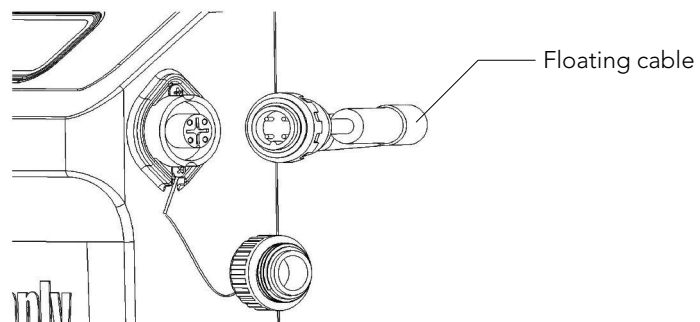


Note: When using the combined brushes or Wonder brushes, gently squeeze the Wonder brush material until it is totally wet.

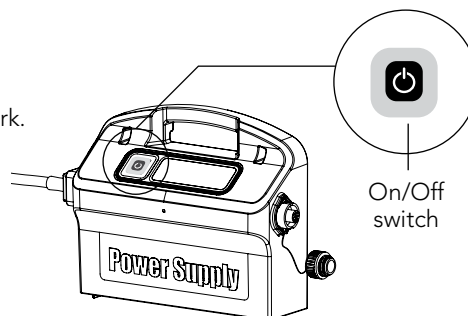


Turning the robot pool cleaner ON

1. Plug the floating cable from the robot pool cleaner into the power supply unit.
2. Plug the electrical cable from the power supply unit into the mains.



3. Press the ON/OFF switch
4. The robot pool cleaner will now start to work.

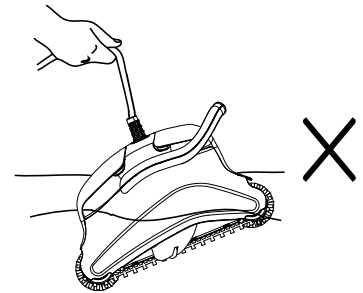
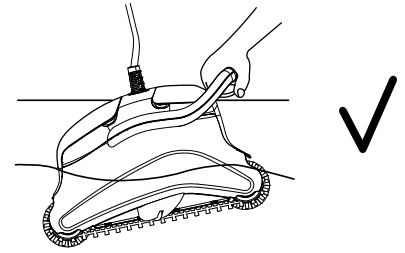


Important: Do NOT enter the swimming pool while the pool cleaner is working.

Part 3 - Taking the robot pool cleaner out of the water

⚠ Unplug power supply before any servicing activity.

1. If the robot pool cleaner has not finished its cycle, turn off the power supply unit and unplug the mains.
2. Pull the floating cable gently until the robot pool cleaner has risen to the surface, then lift by the handle.

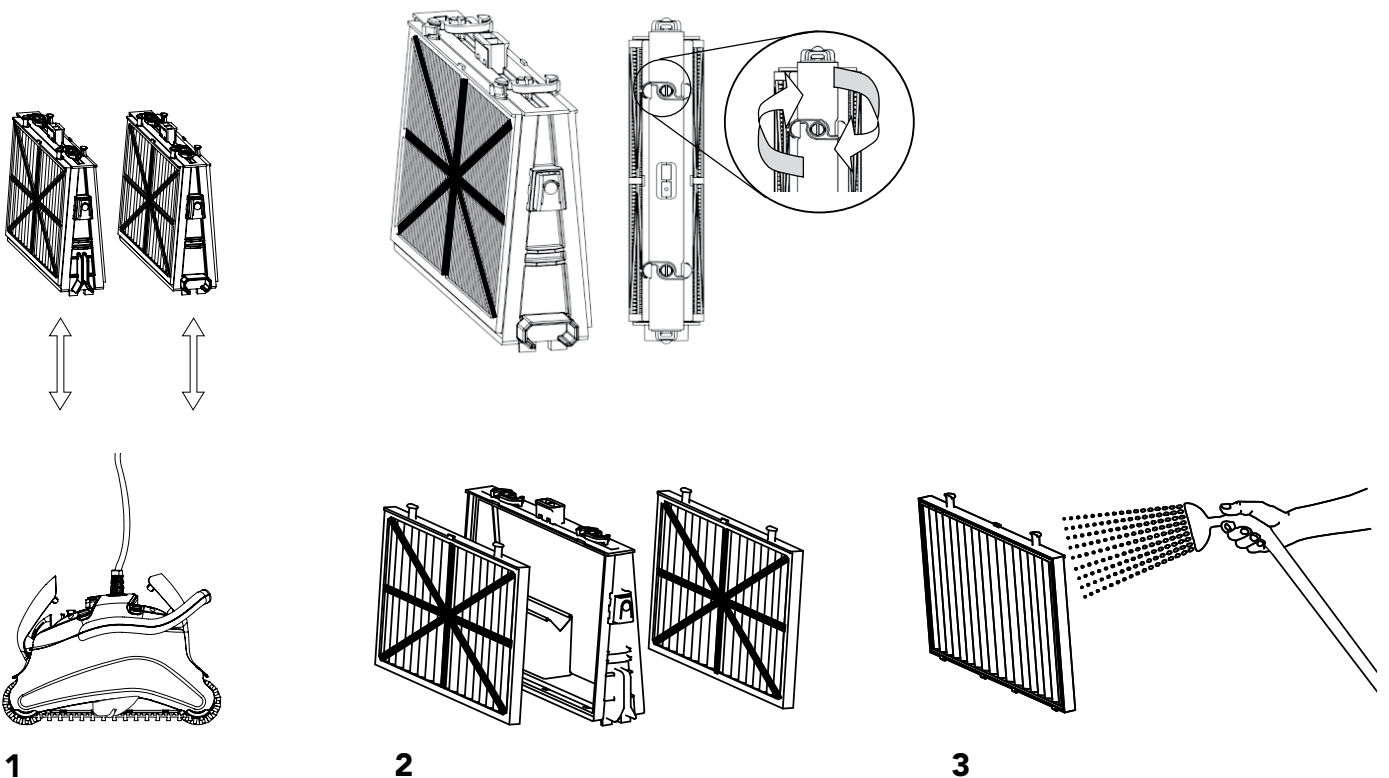


Important: Do NOT lift the robot pool cleaner from the water by its cable.

Section 3 - Routine Maintenance

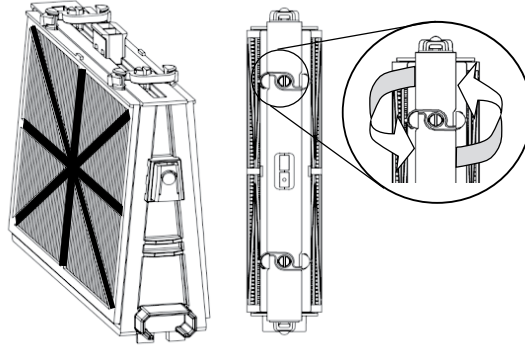
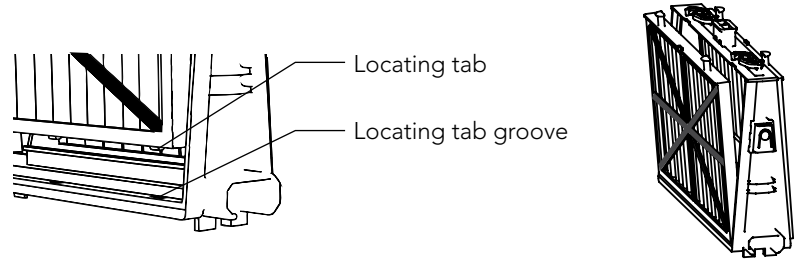
Part 1 - Extracting and cleaning the filter elements

⚠ Unplug power supply before any servicing activity.

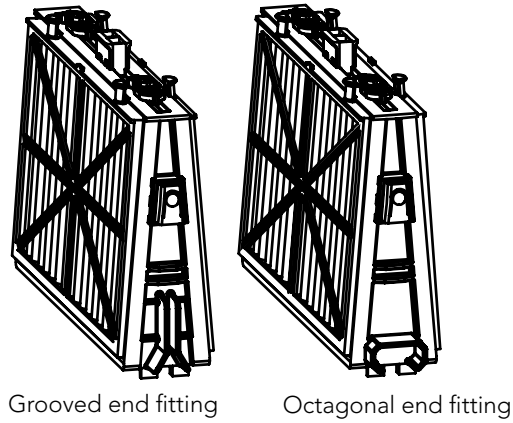


Reassembling the filter elements

Insert the locating tabs at the bottom of the filter element into their groves on the base frame, then close the "S" clip.



Reinstall the filters according to the diagram
DO NOT FORCE THE FILTERS INTO PLACE.

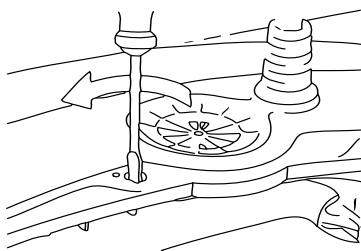


Recommendation: Rinse all brushes with clean water after each cleaning cycle.

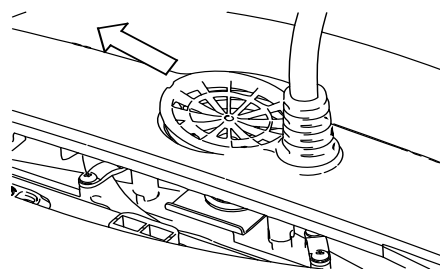
Part 2 - Dismantling and cleaning the impeller

⚠ Unplug power supply before any servicing activity.

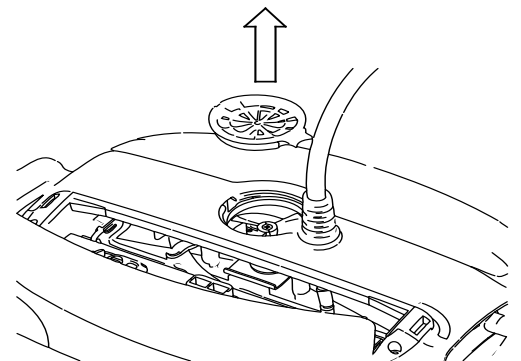
Dismantle the impeller cover and clean around the impeller housing, then reassemble.



1



2



3

Section 4 – Storage Advice

Coil the cable and store in dry cool area.

- ✗ Do NOT store the robot pool cleaner exposed to direct sunlight.
- ✗ Do NOT store the robot pool cleaner exposed to excessive heat.
- ✗ Do NOT store the robot pool cleaner exposed to frost.

Troubleshooting Guide

Before contacting your robot pool cleaner distributor please read through this guide.

The pool water condition must be within the following parameters:

PH: 7.0 – 7.8	NaCl: Max 5,000 ppm
Temperature: 6°C(43°F) to 34°C(93°F)	Chlorine: Max 4 ppm

Symptom	Solution
Cable twisting or cable coils up	Check for any obstruction in the pool
	Remove excess cable from the pool
	Make sure filter cartridge is clean
	Straighten cable and lay it in the sun periodically
Robot pool cleaner is moving in circles or does not reach all pool areas	Check for foreign objects in moving parts
	Make sure filter elements are clean and that the filter doors are closed
	Make sure that there is enough cable laid out to cover the whole pool
	Before using the robot pool cleaner at the beginning of the season you should brush any algae from the floor and walls of the pool
Robot pool cleaner not sinking	Make sure the Wonder brushes or the combined brushes are soaked in water
Motor is not working	Check if the impeller is blocked
	Check if the drive system is blocked
	Electrical problem (power supply), check power source. If power source is in order, please contact your robot pool cleaner distributor
Robot pool cleaner flips on its side	Clean the filter cartridge

Additional troubleshooting is available at our Website:
www.maytronics.com