

58LGAN Gas Valve • Spec Sheet



FEATURES & BENEFITS

- Economy Valve
- Gas Ball Valve
- 1/2 PSIG and 5 G
- 600 WOG
- CSA & UL Approved
- Lockable by Reversing Handle Orientation
- Available in Lever
- Sizes - FIP x FIP 1/2" - 1"

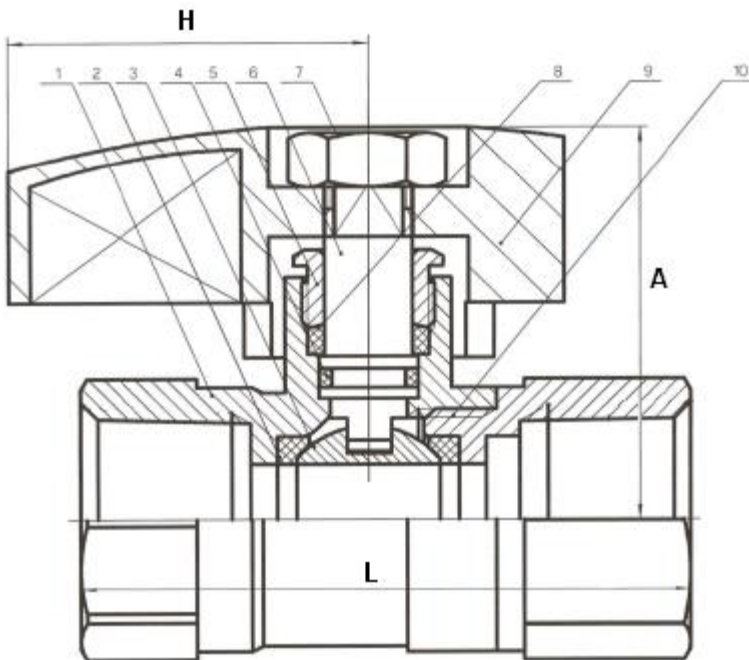
DIMENSIONS

| Part # | Size | L | H | A |
|---------|------|------|------|------|
| 58LGA3N | 1/2" | 2.17 | 1.28 | 1.42 |
| 58LGA4N | 3/4" | 2.34 | 1.28 | 1.54 |
| 58LGA5N | 1" | 2.88 | 1.28 | 1.69 |

MATERIAL SPECIFICATIONS

| No. | Part | Material |
|-----|--------------------|---------------------|
| 1 | Body | Brass C37700 |
| 2 | Sealing Washer | PTFE |
| 3 | Chrome Plated Ball | Brass C3700 |
| 4 | O-Ring* | NBR |
| 5 | Packing Nut | Brass C3700 |
| 6 | Stem | Brass C3700 |
| 7 | Handle Nut | Chrome Plated Steel |
| 8 | Ball Packing | PTFE |
| 9 | Handle | Aluminum Alloy |
| 10 | Cap | Brass C3700 |

*58LGA5N Does Not Contain This Part



MATCO-NORCA

Global sourcing. National compliance. Local service.

CALIFORNIA 5595 Fresca Dr., La Palma CA 90623
TEXAS 1150 Silber Rd., Houston TX 77055
ILLINOIS 278 Windy Point Dr., Glendale Heights, IL 60139
GEORGIA 113 Industrial Blvd., Americus, Georgia 31709
NEW YORK PO Box 27, Rt.22, Brewster NY 10509
 WEB: www.matco-norca.com

• Phone: 866-532-8306 • Fax: 866-532-8307
 • Phone: 800-935-5456 • Fax: 713-680-2999
 • Phone: 844-412-5068 • Fax: 800-640-2252
 • Phone: 800-433-7526 • Fax: 800-533-5134
 • Phone: 800-431-2082 • Fax: 845-278-9056
 EMAIL: mail@matco-norca.com