

Little GIANT[®]

3E-12R SERIES



Features

- For submersed or in-line use
- Epoxy coated die-cast aluminum housing
- Oil-filled motor
- 25.9' maximum lift
- 200 watts
- 1/2" MNPT discharge
- Thermal overload protection

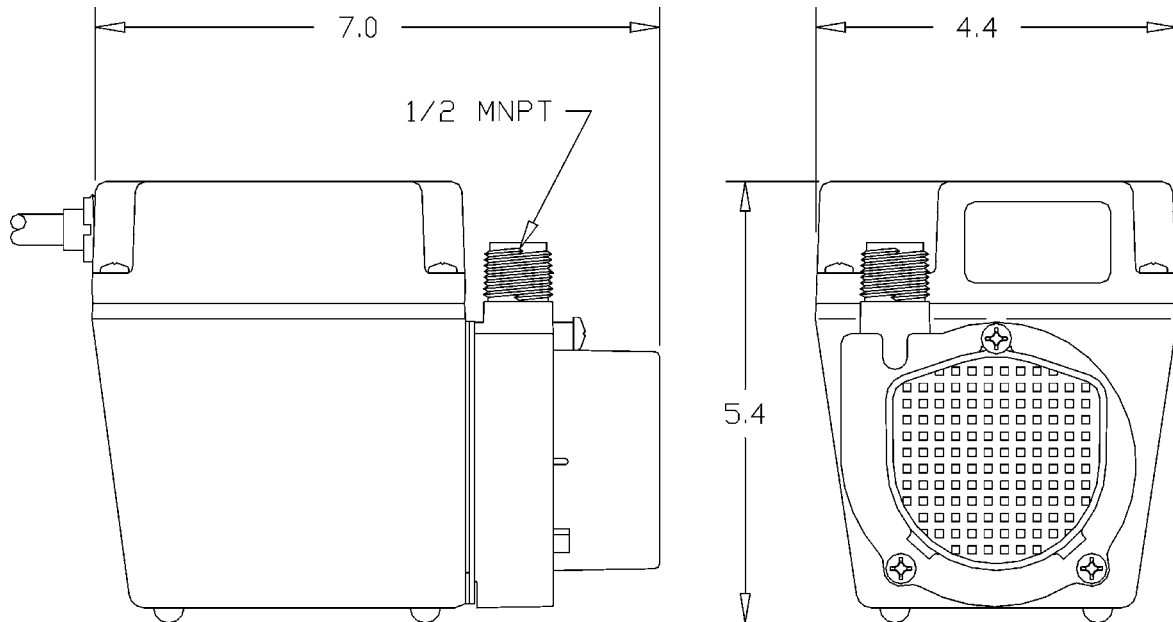
Construction

- Motor — 1/15 HP oil-filled
- Intermittent Liquid Temp. up to — 120°F
- Intake — 1/2" FNPT
- Discharge — 1/2" MNPT
- Housing — Epoxy coated cast aluminum
- Cover — Epoxy coated cast aluminum
- Volute — Nylon
- Impeller — Nylon
- Shaft Seal — Viton[®]
- Screen — Polypropylene

Dual purpose oil-filled pump that may be used totally submersed or in-line (fed with pipe or hose). For commercial, industrial and home applications including statuary fountains, water displays, air conditioners, machine tool coolants, and many other applications where liquid must be transferred or recirculated. This compact 525 GPH pump features a 1/2" MNPT discharge and 25.9' shut-off head capability.

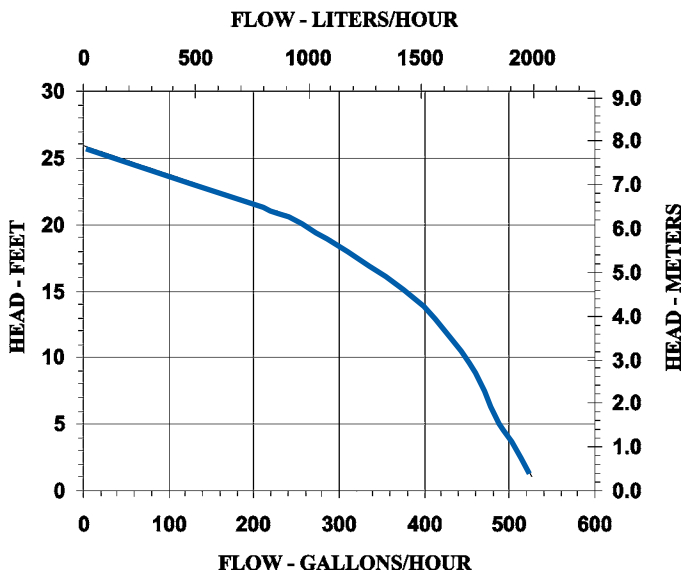
Viton[®] is a registered trademark of DuPont Performance Elastomers

3E-12R SERIES



Specifications

Model No.	Item No.	Discharge	Intake	Listing(s)	HP	Volts	Hz.	Amps	Watts	Performance (GPH@Head)					Shutoff		Cord Length (ft.)	Weight (lbs.)
										1'	3'	5'	10'	20'	Ft.	P.S.I.		
3E-12R	503003	1/2" MNPT	1/2" FNPT	UL	1/15	115	60	3.2	200	525	510	490	450	260	25.9	11.2	6	8.00



Replacement Parts

Volute	103330
Impeller	104435
Screen	102909
Gasket	103601