

APCP-1700



Little Giant's uniquely designed automatic pool cover pump is ideal for removing water from all types of pool covers. The APCP-1700 activates in approximately 2" of water and deactivates in approximately 1.5" of water. The pump comes equipped with a low energy consumption, permanent-split capacitor (PSC) motor. The motor is mounted in a sealed, stainless steel housing and cooled by the flow of the pumping fluid over the motor housing. The APCP-1700 has a wide base design for needed stability.

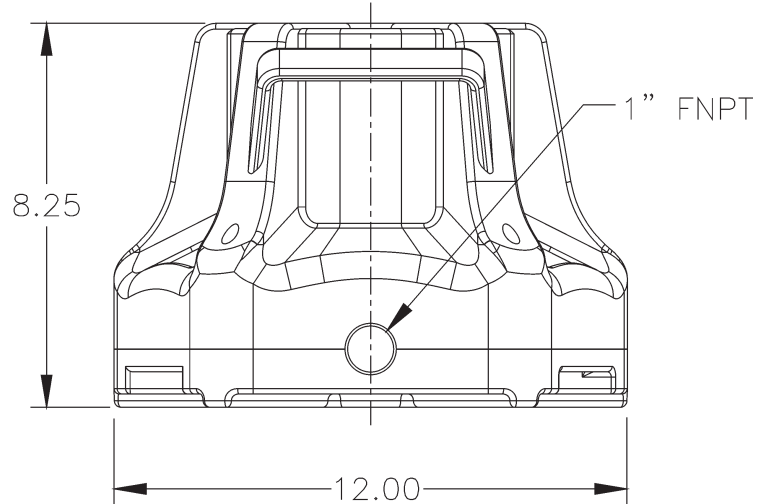
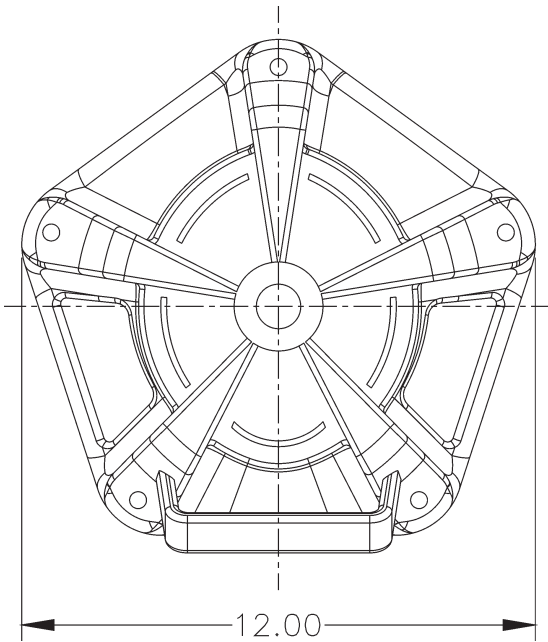
Features

- Automatic pool cover drainage
- 1700 gallon per hour capacity
- Activates in approximately 2" of water
- 25' power cord
- Integrated handle for easy portability
- Wide base for stability
- Mechanical float for dependability
- No assembly required
- Energy efficient motor
- 270 watts
- 1" FNPT discharge w/garden hose adaptor
- 21.5' maximum lift

Construction

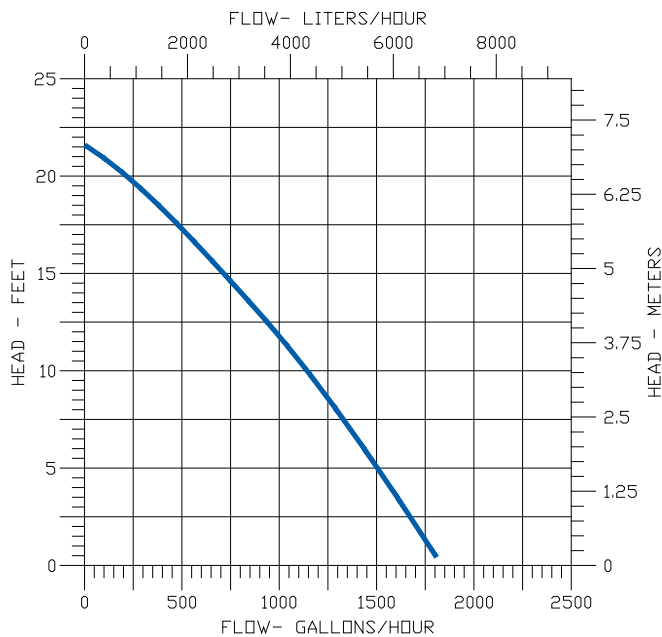
- Motor — 1/3 HP permanent split capacitor
- Intermittent Liquid Temp. up to 120°F
- Intake — Screened
- Discharge — 1" FNPT
- Housing — Glass-filled polypropylene
- Shaft Seal — Nitrile
- Electrical — 115V, 25' power cord

APCP-1700



Specifications

Model No.	Item No.	Discharge	Listings	HP	Volts	Hertz	Amps	Watts	Performance (GPH @ Head)				Shut Off		Pwr. Cord (ft.)	Weight (lbs.)	Height	Length	Width
									1'	5'	10'	15'	Feet	PSI					
APCP-1700	577301	1" FNPT	UL	1/3	115	60	2.2	270	1700	1500	1150	700	21.5	10.0	25	11.8	8.3	12.0	12.0



PUMP PERFORMANCE CURVE
APCP 1700 115V 60HZ

APCP-1700

Head (ft.)	Flow (GPH)	Head (m)	Flow (LPH)
0	1800	0	6814
1	1700	0.31	6435
5	1500	1.5	5678
10	1150	3.1	4353
15	700	4.6	2650
21.5	0	6.6	0

Little Giant

PO Box 12010 • Oklahoma City, OK 73157
Phone: 888.956.0000 • Fax: 800.701.8046
E-mail: customerservice@littlegiant.com

www.LittleGiant.com