

## 6EC SERIES - 1/3 HP

### APPLICATIONS

- Basement sumps, dewatering, water transfer, and light effluent

### FEATURES

- Heavy-duty cast iron construction
- Permanent split capacitor (PSC) motor with thermal overload protection
- Designed for continuous duty
- Energy-saving low amp draw
- Cooler running motor
- 1-1/2" FNPT discharge (38 mm)
- Handles up to 1/2" (12.7 mm) solids
- Multiple switch options for automatic operation
- 140 °F (60 °C) liquid temperature rating
- cCSAus listed



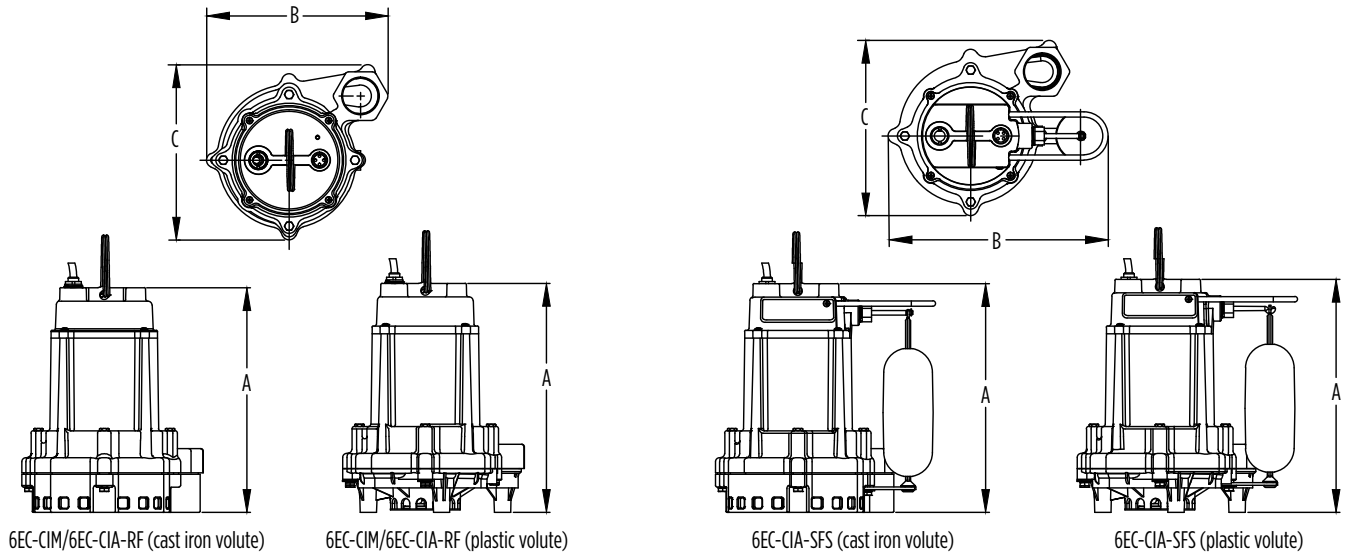
### SERIES SPECIFICATIONS

Volts	Hz	Amps	Watts	Performance (GPM at Height in Feet)				Shut-Off (ft)	PSI
				5'	10'	15'	20'		
115	60	5	600	53	50	42	34	28'	12.1
230	60	3	650	53	50	42	34	28'	12.1

Item	Model	HP	Volts	Base Material	Switch Type/Operations	On Level	Off Level	Cord	Weight
506853	6EC-CIA-RF	1/3	115	Cast Iron	Piggyback Mechanical Float	13" - 15" (33.2 cm - 38.1 cm)	6" - 8" (15.2 cm - 20.3 cm)	10' (3 m)	33.5 lbs (15.2 Kg)
506803	6EC-CIA-RF	1/3	115	Polypropylene	Piggyback Mechanical Float	13" - 15" (33.2 cm - 38.1 cm)	6" - 8" (15.2 cm - 20.3 cm)	10' (3 m)	27.5 lbs (12.5 Kg)
506858	6EC-CIA-RF	1/3	115	Cast Iron	Piggyback Mechanical Float	13" - 15" (33.2 cm - 38.1 cm)	6" - 8" (15.2 cm - 20.3 cm)	20' (6.1 m)	35.5 lbs (16.1 Kg)
506855	6EC-CIA-SFS	1/3	115	Cast Iron	Integral Snap-Action Float	8" - 11" (20.3 cm - 27.9 cm)	2" - 5" (5.1 cm - 12.7 cm)	10' (3 m)	34 lbs (15.4 Kg)
506807	6EC-CIA-SFS	1/3	115	Polypropylene	Integral Snap-Action Float	8" - 11" (20.3 cm - 27.9 cm)	2" - 5" (5.1 cm - 12.7 cm)	10' (3 m)	28 lbs (12.7 Kg)
506860	6EC-CIA-SFS	1/3	115	Cast Iron	Integral Snap-Action Float	8" - 11" (20.3 cm - 27.9 cm)	2" - 5" (5.1 cm - 12.7 cm)	20' (6.1 m)	35 lbs (15.9 Kg)
506804	6EC-CIA-SFS	1/3	115	Polypropylene	Integral Snap-Action Float	8" - 11" (20.3 cm - 27.9 cm)	2" - 5" (5.1 cm - 12.7 cm)	20' (6.1 m)	29 lbs (13.5 Kg)
506851	6EC-CIM	1/3	115	Cast Iron	Manual	—	—	10' (3 m)	32.5 lbs (14.7 Kg)
506801	6EC-CIM	1/3	115	Polypropylene	Manual	—	—	10' (3 m)	26.5 lbs (12 Kg)
506852	6EC-CIM	1/3	115	Cast Iron	Manual	—	—	20' (6.1 m)	33.5 lbs (15.2 Kg)
506802	6EC-CIM	1/3	115	Polypropylene	Manual	—	—	20' (6.1 m)	27.5 lbs (12.5 Kg)
506806	6EC-CIM (Black)	1/3	115	Polypropylene	Manual	—	—	20' (6.1 m)	27.5 lbs (12.5 Kg)
506854	6EC-CIM	1/3	115	Cast Iron	Manual	—	—	25' (7.6 m)	34 lbs (15.4 Kg)
506800	6EC-CIM	1/3	127	Polypropylene	Manual	—	—	20' (6.1 m)	27.5 lbs (12.5 Kg)

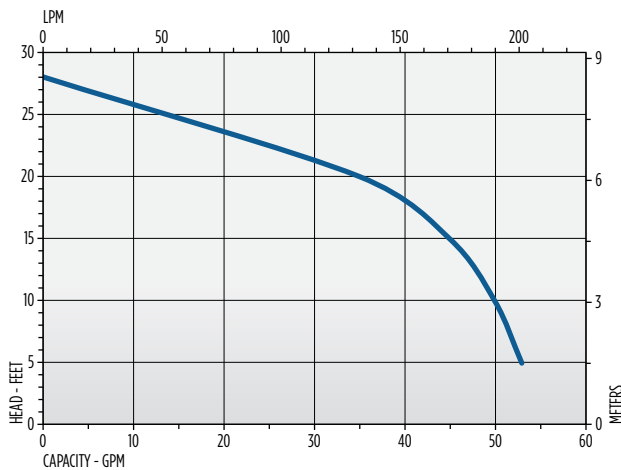
## 6EC SERIES - 1/3 HP

### ENGINEERING DATA



Model	Base	A	B	C
6EC-CIA-SFS	Polypropylene	11.28" (286.5 mm)	10.66" (270.8 mm)	8.48" (215.5 mm)
	Cast Iron	11.07" (281.2 mm)	10.66" (270.8 mm)	8.48" (215.5 mm)
6EC-CIA-RF	Polypropylene	11.08" (281.5 mm)	8.79" (223.4 mm)	8.48" (215.5 mm)
	Cast Iron	10.9" (276.2 mm)	8.79" (223.4 mm)	8.48" (215.5 mm)
6EC-CIM	Polypropylene	11.08" (281.5 mm)	8.79" (223.4 mm)	8.48" (215.5 mm)
	Cast Iron	10.9" (276.2 mm)	8.79" (223.4 mm)	8.48" (215.5 mm)

### PERFORMANCE



### CONSTRUCTION

Cover	Epoxy-coated cast iron
Motor Housing	Epoxy-coated cast iron
Impeller Material	Nylon
Volute	Epoxy-coated cast iron
Mechanical Shaft Seal	Nitrile with carbon and ceramic faces
Fasteners	Stainless steel
Shaft	Cold rolled steel
Bearings	Upper and lower ball bearings
Power Cord	SJTW