

APPLICATIONS

- Effluent wastewater removal • Dewatering
- Water transfer

FEATURES

- Permanent Split Capacitor (PSC)
- Designed for continuous duty
- Energy-saving low amp draw
- Cooler running motor
- 1-1/2" FNPT (38 mm) discharge
- Handles solids up to 3/4" (19 mm) diameter
- Multiple switch options for automatic operation
- 140 °F (60 °C) liquid temperature rating
- cCSAus listed

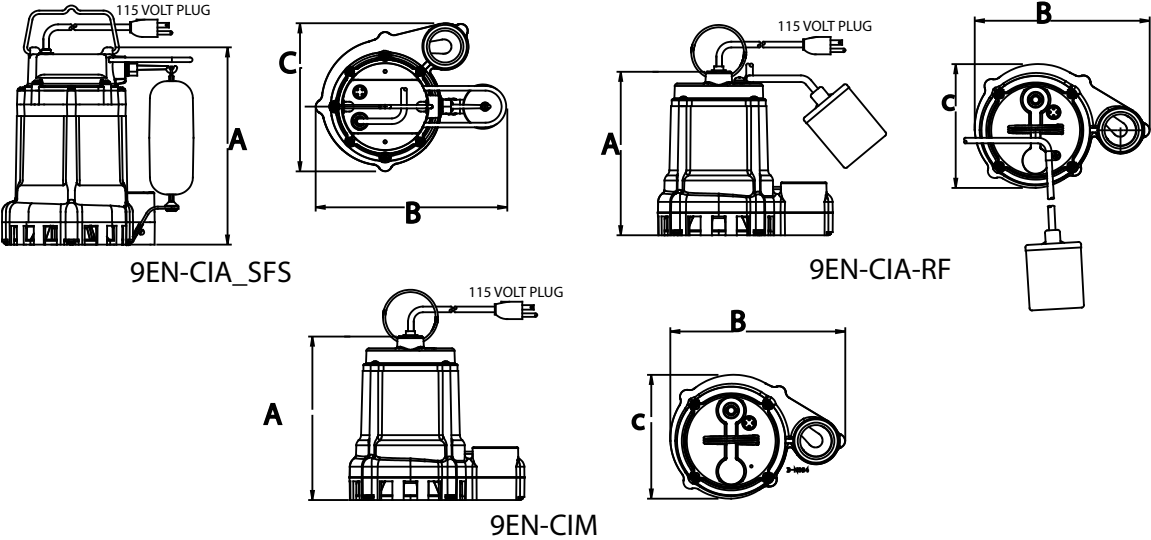


SERIES SPECIFICATIONS

Volts	Hz	Amps		Watts	Performance (GPM @ Height in Feet)					Shut-Off (ft)	PSI
		FLA	Start		5'	10'	15'	20'	25'		
115	60	9	17	920	80	70	60	45	25	32	14.1
208/230	50/60	4	7.5	800	80	70	60	45	25	32	14.1

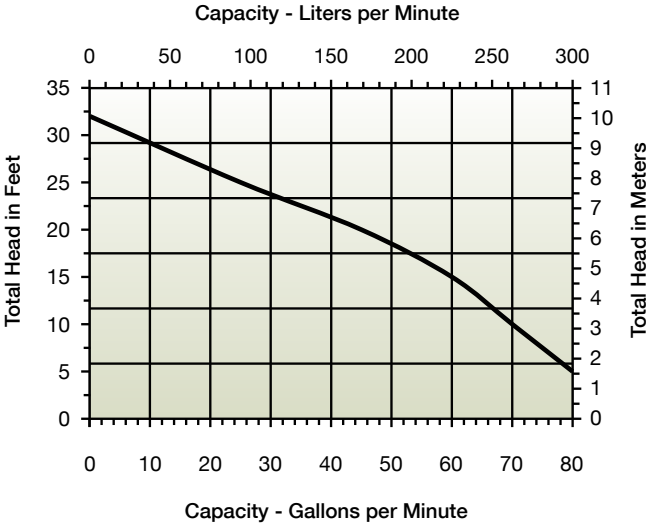
Item No.	Model	HP	Volts	Switch Type/Operation	On Level	Off Level	Cord	Weight
509260	9EN-CIA-SFS	4/10	115	Integral Float Switch	7" - 10" 17.8 cm - 25.4 cm	2" - 5" 5 cm - 12.7 cm	20' 6.1 m	27.5 lbs 12.47 Kg
509261	9EN-CIA-SFS	4/10	115	Integral Float Switch	7" - 10" 17.8 cm - 25.4 cm	2" - 5" 5 cm - 12.7 cm	30' 9.1 m	28.5 lbs 12.93 Kg
509209	9EN-CIA-RF	4/10	115	Piggyback Float Switch	9" - 14" 22.86 cm - 35.56 cm	2" - 6" 5 cm - 15.24 cm	20' 6.1 m	27.5 lbs 12.47 Kg
509210	9EN-CIA-RF	4/10	115	Piggyback Float Switch	9" - 14" 22.86 cm - 35.56 cm	2" - 6" 5 cm - 15.24 cm	30' 9.1 m	28.5 lbs 12.93 Kg
509221	9EN-CIA-RF	4/10	208-230	Piggyback Float Switch	9" - 14" 22.86 cm - 35.56 cm	2" - 6" 5 cm - 15.24 cm	20' 6.1 m	27.5 lbs 12.47 Kg
509207	9EN-CIM	4/10	115	Manual	-	-	20' 6.1 m	26.5 lbs 12.02 Kg
509208	9EN-CIM	4/10	115	Manual	-	-	30' 9.1 m	27.5 lbs 12.47 Kg
509219	9EN-CIM	4/10	208-230	Manual	-	-	20' 6.1 m	27 lbs 12.25 Kg

ENGINEERING DATA



Model	A	B	C
9EN-CIA-SFS	10.76" 27.33 cm	10.54" 26.54 cm	8.07" 20.49 cm
9EN-CIA-RF	9.15" 23.24 cm	9.6" 24.38 cm	6.8" 17.27 cm
9EN-CIM	9.15" 23.24 cm	9.6" 24.38 cm	6.8" 17.27 cm

PERFORMANCE DATA



CONSTRUCTION

Cover	Epoxy-coated cast iron/ *Thermoplastic
Motor Housing	Epoxy-coated cast iron
Impeller Material	Thermoplastic elastomer
Impeller Type	Non-clog
Volute	Epoxy-coated cast iron
Motor Shaft	Steel
Mechanical Shaft Seal	Nitrile with carbon and ceramic faces
Fasteners	Stainless steel
Bearings	Upper sintered sleeve and lower ball bearing
Power Cord	SJTW **SJTOW

* On SFS models
** On 30' 9EN-CIA-RF and 9EN-CIM models