



## Installation and User's Guide

IMPORTANT SAFETY INSTRUCTIONS  
*READ AND FOLLOW ALL INSTRUCTIONS*  
SAVE THESE INSTRUCTIONS

English 2

Français 22

Español 42

Italiano 62

# Customer Service

If you have questions about ordering Pentair Water Pool and Spa ("Pentair") replacement parts, and pool products, please use the following contact information:

## **Customer Service / Technical Support – USA** (8 A.M. to 4:30 P.M. — Eastern and Pacific Times)

Phone: (800) 831-7133

Fax: (800) 284-4151

## **HERENTALS, BELGIUM** – (8:30 A.M. to 4:30 P.M. — CET)

Phone: + 32 (0) 14 25 99 11

## **Web Site**

visit [www.pentairpool.com](http://www.pentairpool.com) / [www.staritepool.com](http://www.staritepool.com) / [www.pentairpooleurope.com](http://www.pentairpooleurope.com)  
to find information about our products

## **Declaration of Conformity**

We declare, under our sole responsibility, that the product identified in this declaration, and to which this declaration relates, are in conformity with the protection requirements of Council Directive 98/37/EEG



Manufacturer: Pentair Water Pool and Spa, Inc.

© 2011 Pentair Water Pool and Spa, Inc. All rights reserved.

**This document is subject to change without notice.**

1620 Hawkins Ave., Sanford, NC 27330 –USA • (800) 831-7133 • (919) 566-8000

10951 West Los Angeles Ave., Moorpark, CA 93021 – USA • (800) 831-7133 • (805) 553-5000

**Pentair Water Belgium bvba** • Industriepark Wolfstee • Toekomstlaan 30 • B-2200 Herentals – Belgium  
+32 (0) 14.25.99.11

**Trademarks and Disclaimers:** Kreepy Krualy®, Legend® and Pentair Water Pool and Spa® are trademarks and/or registered trademarks of Pentair Water Pool and Spa, Inc. and/or its affiliated companies in the United States and/or other countries. Unless noted, names and brands of others that may be used in this document are not used to indicate an affiliation or endorsement between the proprietors of these names and brands and Pentair Water Pool and Spa, Inc. Those names and brands may be the trademarks or registered trademarks of those parties or others.

# IMPORTANT WARNING AND SAFETY INSTRUCTIONS



## Important Notice:

**Attention Installer:** This guide contains important information about the installation, operation and safe use of this product. This information should be given to the owner and/or operator of this equipment after installation of the pool cleaner.

**Attention User:** This manual contains important information that will help you in operating and maintaining this pool cleaner. Please retain it for future reference. Consult Pentair with any questions regarding this equipment.

-  **WARNING** — Before installing this product, read and follow all warning notices and instructions which are included. Failure to follow safety warnings and instructions can result in severe injury, death, or property damage. Call (800) 831-7133 [USA] or {Herentals – Belgium +32 (0) 14.25.99.11} for additional free copies of these instructions.

## Consumer Information and Safety

The Legend® pool cleaners are designed and manufactured to provide many years of safe and reliable service when installed, operated and maintained according to the information in this manual. Throughout the manual, safety warnings and cautions are identified by the “” symbol. Be sure to read and comply with all of the warnings and cautions.

-  **WARNING** — **Hazardous suction.** Do not play with cleaner or hose or apply to body. Can trap and tear hair or body parts. Hose can trip or entangle swimmers which could result in drowning.



-  **WARNING** — **Suction entrapment, injury, and drowning hazard.** If your pool has a dedicated suction port (“vac port”) for vacuuming or for an automatic pool cleaner, **it must be covered when not in use.** A spring loaded safety cover (a “vac port fitting”) is included with your cleaner. Install it on the suction port to prevent entrapment and injury. If the cover does not fit, purchase one that does from your local pool store and install it instead. The cover should conform to IAPMO SPS-99A.



-  **WARNING** — **Stop pump** before attempting to clean unit. Do not allow swimmers in pool while cleaner is operating.

-  **WARNING** — To reduce the risk of injury, do not let children use or play with pool cleaner.

-  **WARNING** — Do not allow swimmers in the pool while pool cleaner is operating. Hose can trip or entangle swimmers which could result in drowning.

-  **CAUTION** — Moving parts may injure hands or fingers. **Stop pump** before attempting to clean out pool cleaner head.



# DISCLAIMER OF LIABILITY

## **Important Notice About Your Pool and Legend® Cleaner:**

There are a multitude of factors that contribute to the life of your pool. The Legend® automatic pool cleaner is a very passive product that will have no impact on pool life.

Please be aware that over time, deterioration, discoloration and brittleness of any pool finish can be caused separately by, or in combination with, age, an imbalance in pool water chemistry, improper installation and other factors. An automatic pool cleaner, such as the Legend®, will not remove or cause wear on “good” pool plaster. In fact, the opposite is true—pool plaster will eventually cause wear on the cleaner.

The same situation holds true for vinyl-lined inground swimming pools, because vinyl liners are also affected by the environment and factors such as pool water chemistry, sunlight and the pool's surroundings. Therefore over time, vinyl can become brittle and weak. In addition, vinyl-lined pools are affected by the workmanship, composition and installation of the liner and the workmanship and quality of construction of the supporting walls and pool base. These are all factors which can contribute to liner failure. The existence of any of these type of conditions in your pool is not caused by the use or operation of the Legend® cleaner.

## **Pre-installation Check List**

Before installing your cleaner, review and understand all warnings and safety information in this guide. Failure to follow these instructions or improper installation of the cleaner can result in damage to the pool finish or the vinyl liner, Pentair Water Pool and Spa, Inc. disclaims any liability for repairs or replacement to any of these structures or components of the customer's pool.

### **Before installing the cleaner in a vinyl liner pool:**

Before installing the pool cleaner, examine the interior of your pool carefully. Check liner closely for signs of deterioration or damage from age, chemicals, pool wall damage, etc. If any damage is found, have a qualified pool professional make all the necessary repairs. Also, if your vinyl liner is brittle or has stones, wrinkles, roots or metal corrosion in contact with the underside of the liner, or has damage to the base or supporting walls, do not install the pool cleaner before having a qualified professional perform the necessary repairs.

### **Before installing the cleaner in a gunite pool or a pool that is partially or completely tiled:**

Before installing the pool cleaner in a gunite pool or pool that is partially or completely tiled; check closely for loose tiles and loose light fittings. Do not install the pool cleaner before having a qualified professional perform the necessary repairs.

### **Before installing the cleaner, clean your filter system:**

Make sure you have cleaned the filter, including backwashing, rinsing, and emptying all baskets. A clean system is necessary for proper cleaner operation and coverage.

### **Before installing the cleaner, fill the hose with water:**

Always make sure the cleaner head is submerged and the hose is full of water before connecting the hose to the filtration system (whether through a skimmer or dedicated wall fitting). Air in the system can damage the pump through dry running and overheating.

### **Before installing the cleaner, understand cleaner coverage:**

The cleaner is designed to rid your pool of debris in approximately 4-6 hours. Less time could be needed, depending on the pool size. The cleaner was not designed to automatically clean steps or swimouts or to work under a solar cover. It was also not designed to do initial cleanup for a new pool or when opening your pool for the season.

### **AFTER installing the cleaner, make sure the cleaner is operating correctly:**

The cleaner may need some minor adjustments to make sure it is operating properly so there is no damage to the pool finish. Certain vinyl liner patterns are particularly susceptible to surface wear, pattern removal, ink rubbing off of, or serious scratches to the pattern caused by objects coming into contact with the vinyl surface, including automatic pool cleaners. Pentair Water Pool and Spa, Inc. is not responsible for any pattern removal, abrasions or markings on vinyl liners.



## LL505G LL505GG

### Important Information:

The Legend® automatic pool cleaner comes ready to connect into a female threaded 1-1/2" (38mm) line, dedicated to our Universal Booster Pump. Also, if you have a chlorinator, solar system or other air inducing equipment, please contact our Technical Support Department at 1-800-831-7133 [USA] or {Herentals – Belgium +32 (0) 14.25.99.11}, before you install the Legend®. (See diagram on [Page 8.](#))

***The following are important facts to remember before installing and operating the Legend®.***

1. Always disconnect the Legend® from the pool wall when cleaning or back washing the pool filter.
2. After cleaning or back washing, let the filtration system run for at least five minutes before reconnecting the Legend®.
3. New plumbing lines should be flushed out before installing the Legend®.
4. The Legend® should not be used to remove plaster dust in new pools.
5. Always remove the Legend® before swimmers enter the pool.
6. Always handle the Legend® with care. Do not let children or pets play with the unit: it is not a toy.
7. Always pick up the Legend® by the handle, especially when lifting the unit out of the water.
8. Unless checking the wheel RPM, do not handle the Legend® while it is operating.
9. Always remove the Legend® from the pool before chemical shock treatments. As a rule, any pool water that is unsafe for swimming is unsafe for the Legend®.
10. Carefully cut the feed hose following the instructions on [Page 9.](#)

***By following these simple guidelines, you can help protect against injury and prolong the life of your Legend®.***

---

Before the Legend® is installed, please take a moment to record the serial number. This number is located on your warranty card and on the back of the Legend® near the rear jet. You will be asked for this number when you contact our Technical Support Department.

SERIAL # \_\_\_\_\_

---

# TABLE OF CONTENTS

Important Warning and Safety Instructions .....	3
Disclaimer of Liability .....	4
Important Information .....	5
<b>I. Introduction .....</b>	<b>7</b>
A. Thank You for Choosing the Legend® .....	7
B. What to Expect from the Legend® .....	7
<b>II. Installation Instructions .....</b>	<b>8</b>
A. Legend® Components .....	8
B. Pool Connections .....	8
C. Booster Pump Installation .....	8
D. Installing the Twist Lock Pressure Relief Valve (Wall Fitting) .....	9
E. Cutting the Feed Hose .....	9
F. Checking Operation .....	13
G. Fine Tuning the Legend® .....	13
1. Thrust Jet Adjustment .....	13
2. Sweep Hose Adjustment .....	13
3. Checking Wheel RPM .....	14
<b>III. Operation &amp; Periodic Maintenance .....</b>	<b>14</b>
A. Connecting/Disconnecting the Legend® .....	14
B. Turning the Legend® On/Off .....	14
C. Cleaning the Sand & Silt Bag .....	15
D. Periodic Maintenance .....	15
1. Wall Fitting Screen .....	15
2. Tires & Bearings .....	16
3. Roller Rings .....	16
4. Debris Bags .....	16
5. Sweep Hose .....	16
6. Debris Valve .....	16
E. Back Washing the Pool Filter .....	16
F. Storage and Winterizing .....	16
G. Accessories .....	17
1. Sweep Hose Weight .....	17
2. Leaf Bag .....	17
3. Suction Cup Tires .....	17
<b>IV. Troubleshooting .....</b>	<b>18</b>
Legend® Parts List .....	19
Legend® Exploded View .....	21

# I. Introduction

## A. Thank You for Choosing the Legend® Pool Cleaner

Congratulations on the purchase of your new automatic pool cleaner. The Legend® is designed to give you years of dependable and efficient service. With the Legend®, you and your family will spend more time relaxing and enjoying your pool and less time cleaning it.

The Legend® has been designed and built with time proven features and innovations to create an automatic pool cleaner that will give you years of dependable service. The Legend® is built with pride by people who care about the product using state of the art materials and backed by a limited warranty that protects against defects in parts and construction.

Like any mechanical device, the Legend® requires some preventative maintenance and the replacement of certain hard working parts. We recommend that you have your Legend® checked annually. For best results have your Legend® installed by a qualified swimming pool professional.

For pool owners with plumbing and mechanical experience, installation instructions are included in this manual.

**Please put safety first!** Be sure to take your Legend® out of your pool and store it carefully in a shaded area before anyone enters the pool.

## B. What to Expect from the Legend®

When operating correctly, the Legend® will travel randomly throughout the pool, vacuuming and sweeping the bottom. The climbing ability of the Legend® is dependent on the pools shape. It will climb better in pools without sharp angles or curves in the transition from the pool floor to the pool wall.

The Legend® comes equipped with a Wall Fitting (Part# EW22/LLW22PM) that features a Twist Lock Automatic Pressure Relief Valve. If the Legend® is receiving too much water pressure to the unit, the relief valve can be manually adjusted to reduce water pressure.

Approximately every three minutes and 30 seconds the Legend® will go into a back up mode. At this time the Back Up Valve will pull the Legend® away from it's current location increasing it's random pattern.

The Sweep Hose operates in a gentle sweeping motion to prevent debris from becoming trapped in hard to reach corners of the pool.

## II. Installation Instructions

### A. Legend® Components

The Legend® Box Contains:

1. Cleaner Head
2. Sand & Silt Bag
3. Sweep Hose (Attached to Cleaner Head)
4. Complete Feed Hose
  - a. 1 - 8½" (22 cm) hose
  - b. 2 - 10' (3 m) white (hard) hoses
  - c. 1 - 30" (75 cm) soft hose / 1 - 7.5' (2,3 m) soft hose
  - d. 10 - Floats
  - e. 3 - Swivels
  - f. 1 - Back-up Valve
  - g. 10 - Mender Nuts
  - h. 1 - Wall Fitting Complete

### B. Pool Connections

The Legend® comes equipped to connect to a female threaded 1-1/2" (38mm) line, dedicated to our Universal Booster Pump.

Also, if the pool doesn't have a dedicated cleaner line, please contact our Technical Support Department at 1-800-831-7133 [USA] or {Herentals – Belgium +32 (0) 14.25.99.11}.

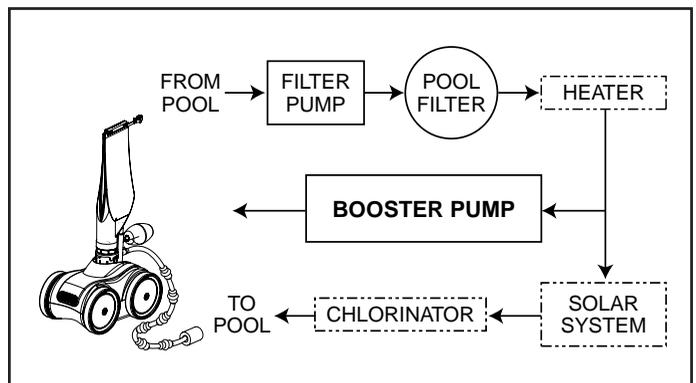
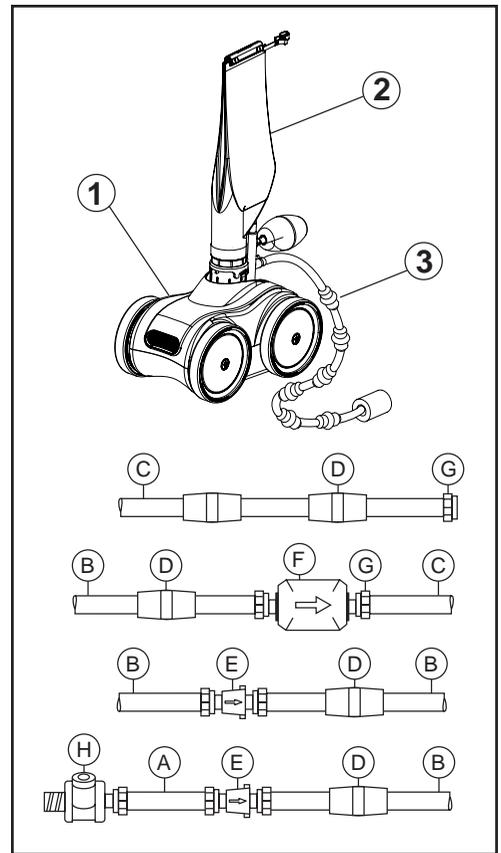
### C. Booster Pump Installation

If you already have a 3/4 horsepower booster pump installed at your equipment pad and it is operational, skip this section and proceed to Installing the Twist Lock Pressure Relief Valve (Wall Fitting).

Detailed booster pump installation instructions are packaged separately in our booster pump box.

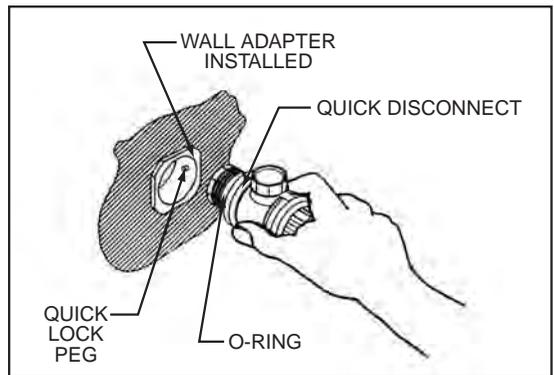
**Please follow these instructions carefully.**

The booster pump is not self-priming and needs to be fed with water taken from the pool filter before any type of in-line chlorinator.



## D. Installing the Twist Lock Pressure Relief Valve (Wall Fitting)

1. Take out any existing pool cleaner and/or wall fitting.
2. Turn on the filtration pump and booster pump, flush out the plumbing line.
3. Turn off filter pump and booster pump.
4. Remove the Wall Adapter from the Wall Fitting and screw Adapter by hand into the dedicated line. Turn until tight.
5. Take the Wall Fitting and Twist Lock the Wall Fitting into the Wall Adapter 1/4 turn and pull out; to a snug fit. Once the Wall Adapter is secure, you can now twist lock and unlock to remove Wall Fitting with ease from the Wall Adapter.

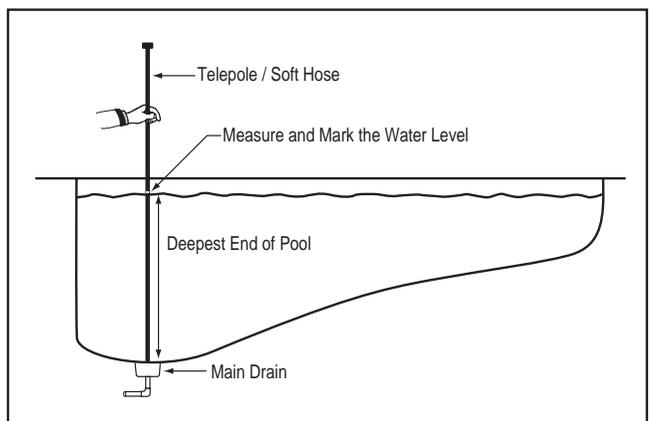


## E. Cutting the Feed Hose (See Hose Diagrams on Page 10)

The Hose assembly comes in 5 sections now covering approximately 30 ft. (9 m) of the pool, which provides ample hose for most residential pools. The Back-Up Valve is now 30" (75 cm) from the head cleaner and should always remain this distance. For larger pools, see #14 on Page 12 for instructions on *Adding Additional Feeder Hose*.

1. Take Feeder Hose out of box (it will be approximately 30 feet [9 meters] long). Before installing the unit, you should lay the feed hose out straight in the sun, (for one day if possible). The hose has been curled up in the box and sometimes will go around in a circle. If this happens, take the first or second section of hose from the wall and reverse it, (turn it around). You might have to reverse both sections to correct the problem. Make sure the feed hose is cut and installed properly.
2. Measure how deep your pool is by using your telepole or the clear end of the feeder hose. Cut the soft hose equal to the depth of your pool. (Hint: the grate or domed main drain at the bottom is usually the deepest point.)

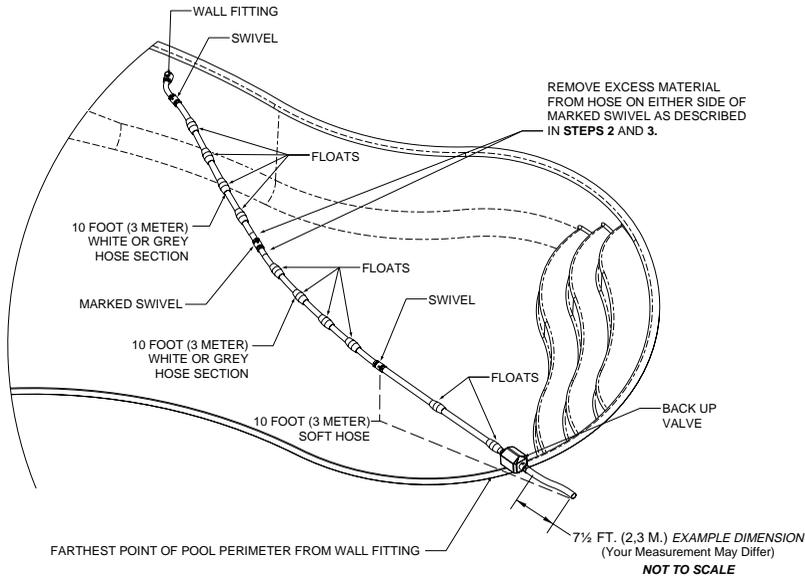
*Example:* The soft hose is 10 ft. (3 m) long, if the pool is 8½ ft. (2,5 m) deep, cut 1½ ft. (0,5 m) off of the soft hose. If the depth is greater than 10 ft. (3 m), do not cut the soft hose.



**EXAMPLE OF HOSE ASSEMBLY BEFORE CUTTING TO LENGTH**

**STEPS**

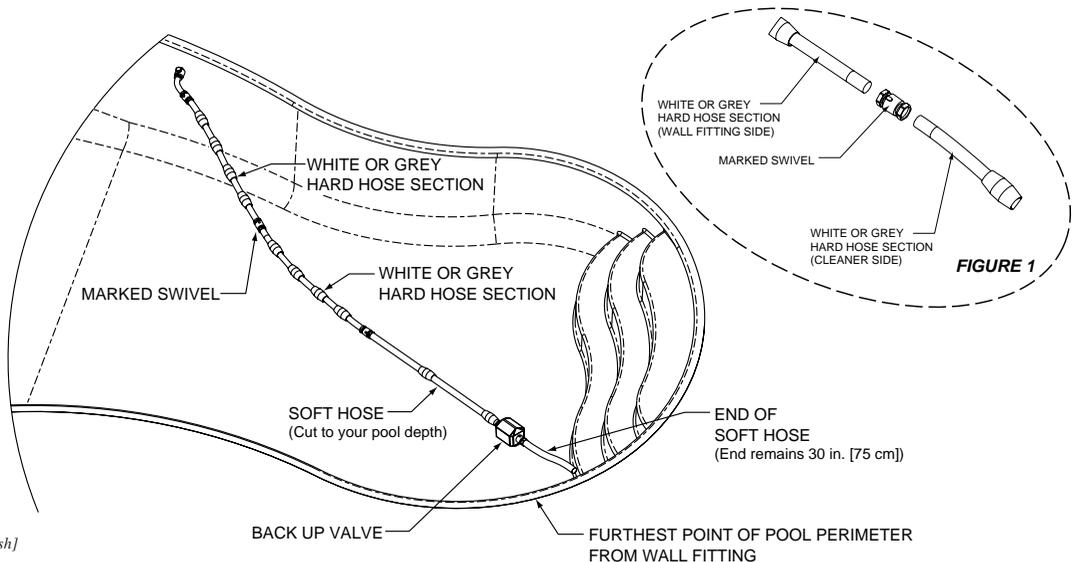
1. With the feed hose assembly attached to the pool wall, hold the feed hose assembly by the opposite end with the soft hose and walk the perimeter of the pool to locate the farthest point on the perimeter from the wall fitting without stretching the hose assembly.
2. Measure the distance that the hose assembly extends beyond the pool perimeter farthest point located in **Step 1** — (7½ ft. [2,3 m] in this example).
3. Cut half of the length obtained from **Step 2** — (3¾ ft. [1 m.] in this example), equally from each of the 10 foot (3 meters) lengths of white or grey hose on either side of the marked swivel.



**EXAMPLE OF FINISHED HOSE ASSEMBLY AFTER CUTTING TO LENGTH**

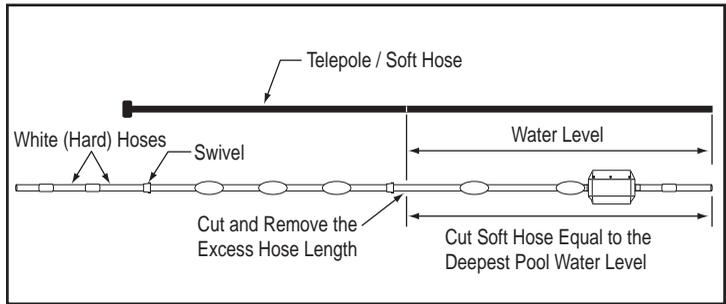
**STEPS**

4. Reassemble the hoses using the supplied mender nuts as shown in **FIGURE 1**.
5. Your complete finished hose assembly should look like this. The end of the 30 inch (75 cm) soft hose should reach just to the furthest edge of the pool perimeter as shown.



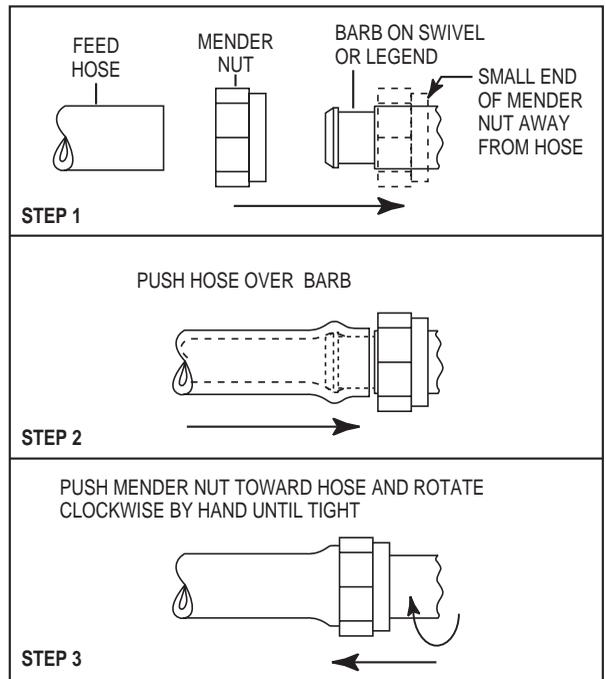
## E. Cutting the Feed Hose - (cont.)

3. Lay the telepole next to the soft hose. If the clear soft hose is longer than the mark on the telepole, cut the excess from the end attached to the white (hard) hose. Do not cut off the float. Leave the first float in position next to the Back-Up Valve. Place the second float midway between the first float and the Hose Swivel.



4. Attach feed hose to the wall fitting and attach wall fitting to the pool wall. Hold the end of soft hose and walk the perimeter of the pool keeping the hose straight (do not stretch hose) to find the farthest point of the pool from the wall fitting.
5. Measure the excess length between the farthest point of the pool from Wall Fitting and the end of 30 in. (75 cm) soft hose.
6. Half of this measured length is to be **cut equally from 10 ft. (3 m.) white (hard) hoses next to the Marked Swivel.** (Example: Half of 6 ft. [180 cm] = 3 ft. [90 cm] each). If you are cutting more than 2 ft. (60 cm) off the hoses, remove the floats next to the Marked Swivel from both hoses. See Diagrams on [Page 10](#).
7. Re-assemble the hoses and the swivel using mender nuts. Put mender nut on swivels first, then push hose over swivel, rotate mender nut over hose clockwise until tight.

*Note: Keep as many floats as possible on white feed hoses spaced evenly apart to hold hose up on top of water.*

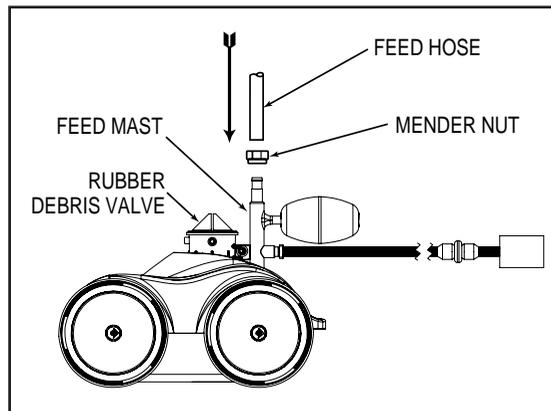


## E. Cutting the Feed Hose - (cont.)

- When cutting hoses, please use strong scissors or a sharp knife. Be sure to slide the floats out of the way when cutting hose.
- Put extra mender nut on the Legend® mast and push soft hose gently over mast at 1/2", turn mender nut around soft hose tight.

**Note:** The Back-Up Valve still should be 30" (76 cm) from the head of the cleaner.

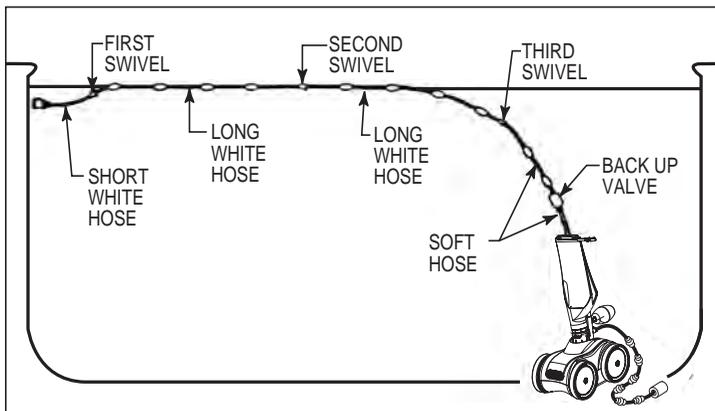
- Now take the bag, 360002/360009, out of the box and firmly twist lock bag onto the top of Legend® throat over rubber debris valve.
- Review and check list: White and soft hoses cut properly and floats evenly spaced. Mender nuts tight around swivels, Back-Up Valve, Legend® mast and wall fitting. Make sure wall fitting is securely locked into place.



- Lower your complete Legend® assembly into your pool carefully. It should look like the Figure-right.

- Go back to your equipment and turn filter pump on first (wait 30 seconds to force air out of the hose), then turn booster pump on.

- For adding additional feeder hose for large pools requiring more hose length you will need to purchase one (1) additional hose (LLD45/LLD45PM), four (4) floats (ED10P/LLD10PM), one (1) swivel (ED05/LLD05PM), and two (2) mender nuts (ED15/LLD15PM). Attach extra white (hard) hose between soft hose and existing white (hard) hose, using floats, swivel and mender nuts. Divide extra white (hard) hose overage by three (3) this time to keep all white hoses the same length.



## F. Checking Operation

When operating correctly, the Legend® will travel in a random pattern throughout the pool, vacuuming and sweeping the bottom. The climbing ability of the Legend® is dependent on the pools structure and water flow coming into the pool. It will perform more efficiently in pools without sharp angles or curves in the transition from the floor of the pool to the wall.

The Legend® comes with a Twist Lock Pressure Relief Valve (Wall Fitting). If the Legend® is receiving too much water pressure, the Relief Valve in the Wall Fitting will release the excess water pressure.

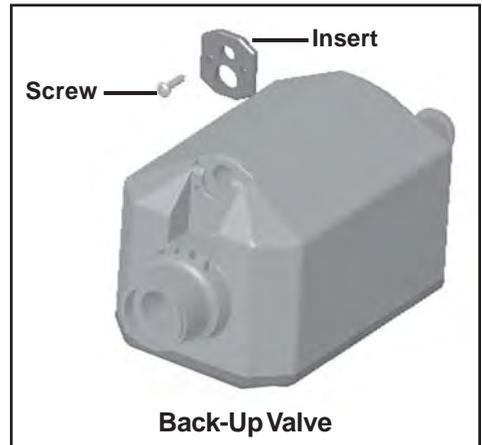
Approximately every three minutes and 30 seconds the Legend® will go into a back-up mode. The Back-Up Valve cycle time, while in the back-up mode, is approximately 30 seconds, pulling the Legend® from it's current location increasing it's random pattern.

### **New Back-Up Valve Information:**

The Back-Up Valve Insert which slides into the slot over the jet of the valve. This is secured with a stainless steel screw as shown in the diagram. The insert will be set from the factory with the larger (3/8") [0.9525 cm] hole over the opening of the jet. The larger hole is used for the Legend® cleaner. If you change the insert to the smaller (1/4") [0.635 cm] hole, the Back-Up Valve will have increased jet pressure and possibly tangle your hose.

The Sweep Hose operates in a gentle sweeping motion to prevent debris from becoming trapped in hard to reach corners of the pool.

If the Legend® does not travel to all areas of the pool, turn off the booster pump and pool filtration pump and make the necessary adjustments from the instructions in the next section.



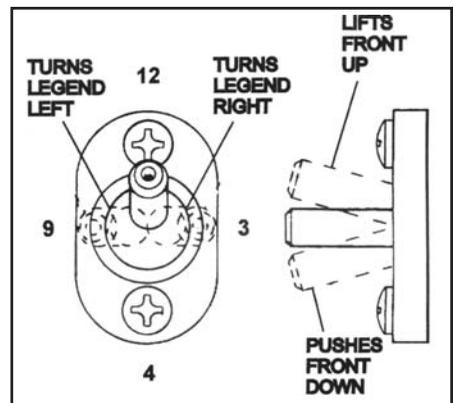
## G. Fine Tuning the Legend®

### 1. Thrust Jet Adjustment

There is a Thrust Jet located in the back of the Legend®. This Thrust Jet alters the direction of the cleaner. The factory standard position for the jet is set in the middle and straight out. (See illustration – right.)

### 2. Sweep Hose Adjustment

The Sweep Hose operates in a gentle sweeping motion. To increase or decrease the motion of the Sweep Hose, adjust the screw which is located on the Feed Mast Barb below the Ballast Float. Turning the screw clockwise will decrease the motion and counter-clockwise to increase the motion of the Sweep Hose.



## **G. Fine Tuning the Legend® - (cont.)**

### **3. Checking Wheel RPM**

To determine whether the Legend® is receiving the proper water pressure, turn off the pool pump, and carefully remove the Legend® from the pool.

Mark the front drive Tire/Wheel with a marker, or use the Pentair logo located on the side of tire as a marker to count the rotations of the wheel per minute.

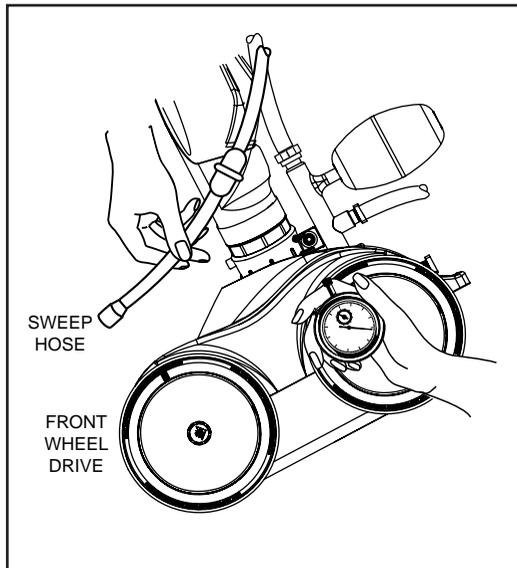
Have someone turn on pool pump and the booster pump while you place the Legend® in the pool just beneath the water surface. (Be sure to hold onto the Sweep Hose to avoid getting wet).

Count the rotations of the marked wheel for exactly one minute. (Be sure the Back-Up Valve isn't cycling at this time). The rotations will give you the Revolutions Per Minute – (RPM).

For proper performance, the Legend® operates between 28-32 RPM. If the RPM is below 28 then call your local Pool Professional or contact our Technical Support Department at 1-800-831-7133 [USA] or {Herentals – Belgium +32 (0) 14.25.99.11}.

If the RPM is more than 32, at the Wall Fitting, unscrew the Pressure Relief Valve slowly until the RPM falls between 28-32.

***If you have any additional questions, please contact Pentair Water Pool and Spa, Inc., Technical Support Department at: 1-800-831-7133 [USA] or {Herentals – Belgium +32 (0) 14.25.99.11}, Monday through Friday.***



## **III. Operation/Periodic Maintenance**

### **A. Connecting/Disconnecting the Legend®**

Turn off the booster pump and pool pump. Then take the Wall Fitting and twist lock the Wall Fitting clockwise into the Wall Adapter. To disconnect the Legend®, unlock and twist counter-clockwise. The Wall Adapter should remain in the pool wall.

### **B. Turning On/Off the Legend®**

The Legend® operates off the booster pump coming from the equipment pad, and can be turned on or off by merely turning on/off your booster pump time clock.

## C. Cleaning the Sand & Silt Bag

Carefully unlock the debris bag from the vacuum tube. Use your thumb to push the "U" shaped snap lock closure upward until it snaps open. Make sure to swing it away from the opening. Open the bag and remove debris.

To close, push the middle of bag inward, as shown, and bring the edges together to make them stack like an accordion. Swing the "U" shaped snap lock closure back to the closing position.

Gently push on top of the "U" shaped snap lock closure to make sure it snaps into place. Reattach the clip onto the feed hose.

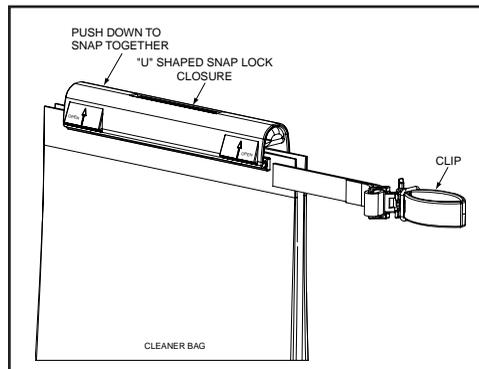
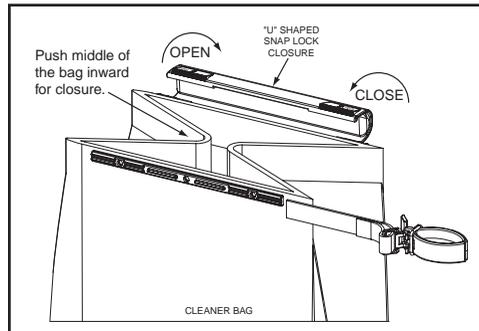
Your debris bag is ready to be reinstalled onto your cleaner.

If you have a lot of debris in your pool, especially after a storm, you can run your Legend® in two shorter cycles per day and empty the debris bag between cycles.

Reconnect the debris bag to the vacuum tube. Do NOT over turn.

**A Helpful Hint:** It is easier to empty the debris bag when it is dry. A second bag may be used while the full debris bag is drying.

It's best to empty the debris bag when it becomes half full. The Legend® will have better performance if the bag is not overloaded.



## D. Periodic Maintenance

The following parts are wear items that should be checked, maintained or replaced as needed. Wear items are considered any working or moving part(s) being worn due to the use of the cleaner.

**Wear items are not covered under warranty.**

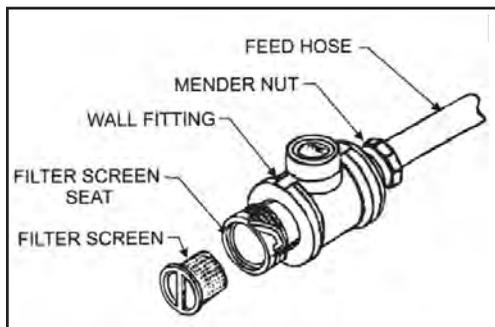
### 1. Wall Fitting Screen

Inside the wall fitting is a filter screen that acts as a secondary filter. This screen is to keep debris that is passed by the pool filter out of the Legend®. *Running the Cleaner without the filter screen can damage the Legend® and will void the warranty.*

A continuous plugged or dirty screen is a sign of problems in your pool filtration system and you need to contact your local Pool Professional.

To clean the filter screen, pull the screen out from inside the Wall Fitting and rinse thoroughly and push back inside the Wall Fitting.

Whenever cleaning, back-washing or repairing the filter, remove the Wall Fitting and flush out the dedicated line before using the Legend®.



## III. Operation/Periodic Maintenance - (cont.)

### 2. Tires & Bearings

The tires are designed to protect the bottom of your pool and provide better traction. You need to rotate or replace the tires when the tire is worn up to the wear groove.

The Wheel Bearings are warranted free of defects when shipped from Pentair Water Pool and Spa, Inc., and are considered a wear item. A good bearing will spin freely.

### 3. Roller Rings

Your Sweep Hose has a series of Roller Rings to protect the Sweep Hose. Replace the rings as needed. You can rotate the Roller Rings to prevent flat spots.

### 4. Debris Bags

#### *Fine Mesh Sand & Silt Bag*

The Legend® comes with a Sand & Silt bag for general use in all pools. We do not recommend using the fine mesh bag to pick up leaves and twigs or other large debris for they have sharp points and edges that can poke holes and eventually rip the bag.

#### *Optional Leaf Bag*

The leaf bag is a larger mesh bag made to pick up heavier debris such as leaves, twigs, acorns, etc. This bag can be helpful especially after a storm.

**A Helpful Hint:** To prolong the life of bags, remove the cleaner from pool before adding chemicals.

### 5. Sweep Hose

The Sweep Hose is provided to help keep the bottom and sides of your pool clean. The Sweep Hose is warranted free of defects when shipped from the factory, and is considered a wear item.

### 6. Debris Valve

This valve is located under the Debris Bag, it is designed to keep the debris inside the bag. It functions like a check valve to allow the debris to only enter through the bag one way. Replacement is needed when valve begins to stiffen.

## ***E. Back Washing the Pool Filter***

Always disconnect the Legend® from the pool wall before cleaning or back washing the pool filter. After cleaning or back washing, let the pool filtration system run for a minimum of five minutes to flush out the return lines before reconnecting the Legend®.

## ***F. Storage and Winterizing***

Never leave or store the Legend® in direct sunlight. When storing the Legend® for the winter, be sure to drain all the water from it. This is important since freeze damage is not covered under the warranty. Also, remove the Wall Fitting.

## **G. Accessories**

### **1. Sweep Hose Weight**

If the sweep hose tends to break the surface of the water therefore squirting nearby windows or innocent bystanders, a weight can be installed to the end of the sweep hose.

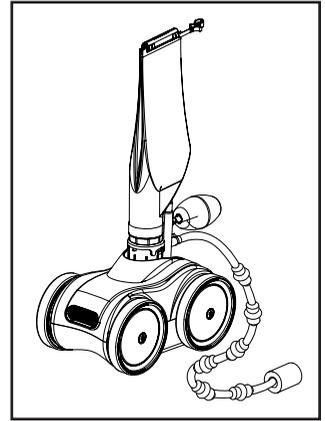
(Part # for Hose Weight is EH09C)

### **2. Leaf Bag**

(See previous page)

### **3. New Legend® Suction Cup Tires**

Designed to climb in problem areas, fiberglass, tile and smooth surfaces. For other applications, please contact our Technical Service Department at 1-800-831-7133 [USA] or {Herentals – Belgium +32 (0) 14.25.99.11}.



Part # for Suction Cup Tires  
is: LC6LSA

## IV. TROUBLESHOOTING AND PERFORMANCE TIPS

To insure the best performance from your cleaner, follow the troubleshooting guide listed below.

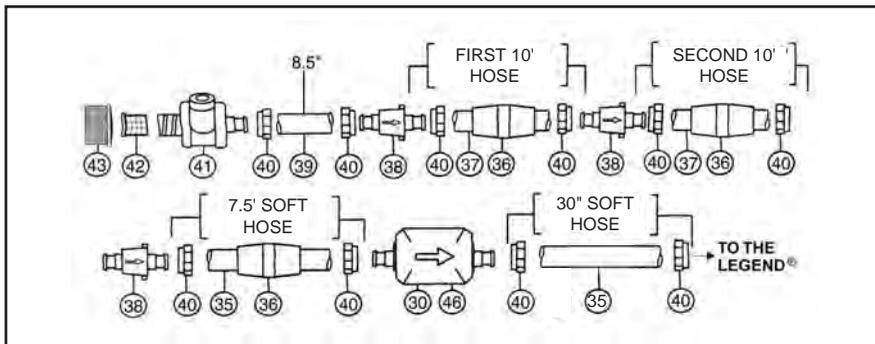
Problem	Solution
Legend® doesn't move or moves sluggishly or hangs up on steps.	<ol style="list-style-type: none"> <li>1. Be sure filter pump and booster pump are on and working properly. (You may need to clean your pool filter system).</li> <li>2. Check the Wall Fitting screen for debris and rinse clean.</li> <li>3. Check wheel RPM, (see page 14).</li> <li>4. Determine if the Back-Up Valve is cycling. (Hold the valve out of the water and the jet should come on for approx. 30 seconds and shut off for approx. 3 minutes and 30 seconds.)</li> <li>5. Check all the Hose connections and Swivels for leaks that can cause loss of water pressure.</li> <li>6. Check debris that may be jammed in the gear teeth on one of the front drive wheels. Gently rotate the front wheels backward to dislodge debris.</li> </ol>
Legend® falling over or lying on its side.	<ol style="list-style-type: none"> <li>1. This usually indicates the bag needs to be emptied.</li> <li>2. Check to see if the ballast float (EA20) is leaking by checking if there is water inside. Unscrew by pulling back while turning counter-clockwise. When it comes off, shake it and listen for water in the float.</li> </ol>
Legend® will not back up.	<ol style="list-style-type: none"> <li>1. Determine if the Back-Up Valve is cycling. (Hold the valve out of the water and the jet should come on for approx. 30 seconds, and shut off for approx. 3 minutes and 30 seconds).</li> <li>2. Check the wheel RPM, (see page 14).</li> <li>3. Empty the debris bag if full or half full.</li> </ol>
Legend® will not climb.	<ol style="list-style-type: none"> <li>1. Even if your pool doesn't show algae you still need to brush the sides of the pool wall.</li> <li>2. Check the wheel RPM, (see page 14).</li> <li>3. Reposition the Thrust Jet. Loosen the two screws to adjust the Thrust Jet, (see page 13).</li> </ol> <p><b>A Reminder:</b> <i>The climbing ability of the Legend® is dependent on the pool's shape and available water pressure. It will climb better in pools without sharp angles or curves in the transition from the pool floor to the pool wall.</i></p>
Hoses tangling.	<ol style="list-style-type: none"> <li>1. Check the length of the Feed Hose, they may be too long, (see pages 9-12).</li> <li>2. Check to see that the Feed Hose is floating on top of surface. Check hose floats for even spacing.</li> <li>3. Twist the Hose Swivels to see if they spin free and replace any that will not.</li> <li>4. Lay out the Feed Hose straight in the full sun to remove any memory.</li> </ol>
Sweep Hose is sucked into the cleaner.	<ol style="list-style-type: none"> <li>1. Adjust the Sweep Hose using the Adjustment Screw located on the bottom of the Swivel Mast and just below the upper Thrust Jet. Turn Adjustment Screw clockwise until the Sweep Hose is in a gentle sweeping motion.</li> </ol>
Booster Pump very noisy.	<ol style="list-style-type: none"> <li>1. Make sure Wall Fitting is mounted in pool wall correctly.</li> <li>2. Make sure Pool Filtration system is working properly.</li> <li>3. Contact your local Pool Professional - possible Booster Pump problem.</li> </ol>
Sweep Hose breaks water surface and sprays nearby windows, patio decks and bystanders.	<ol style="list-style-type: none"> <li>1. Adjust Sweep Hose to a gentle sweeping motion.</li> <li>2. Add optional Sweep Hose weight, (see page 16).</li> </ol>

# LEGEND® PARTS LIST

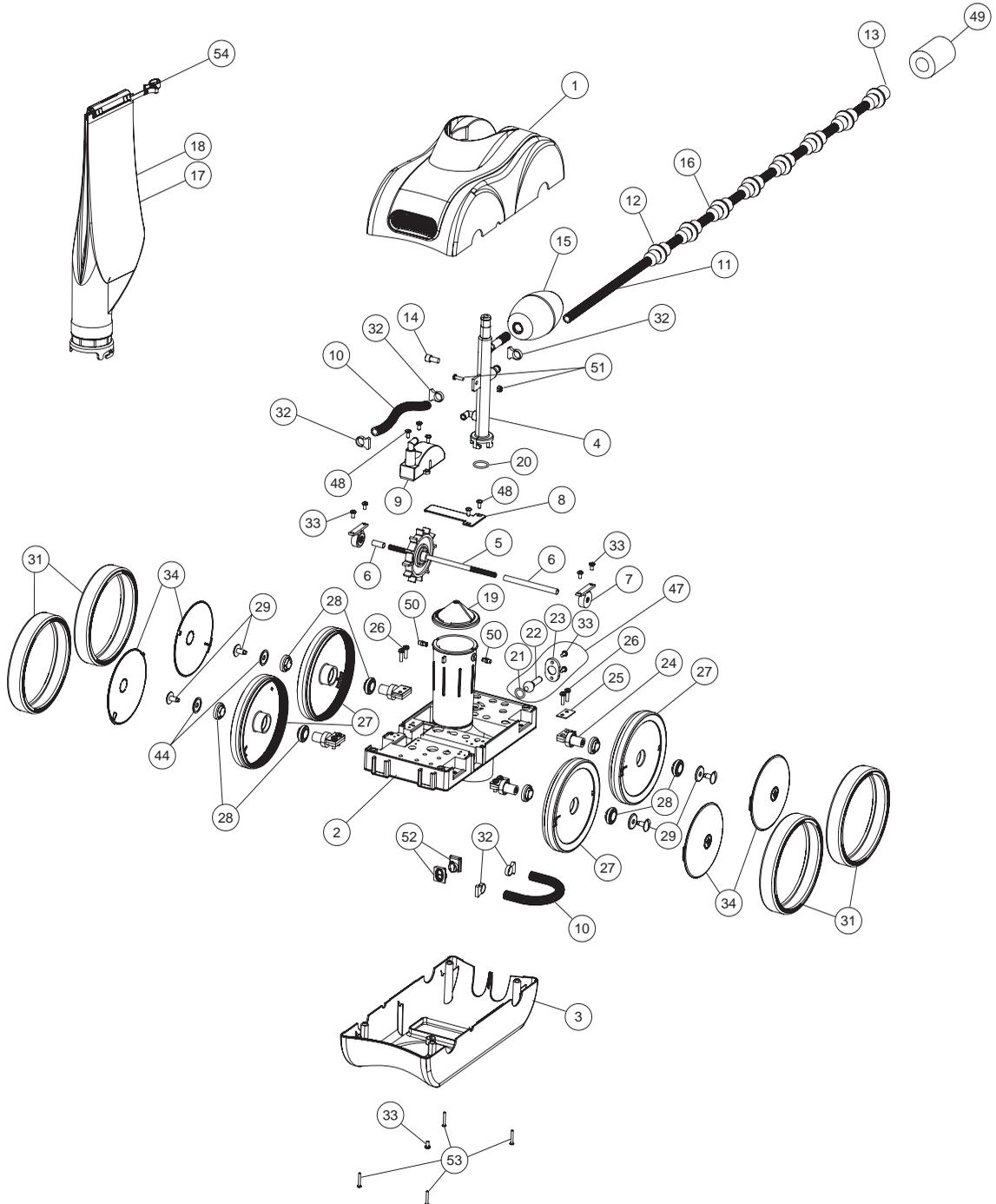
Item #	International P/N's	USA P/N's	Description	Qty.
1	360003	360003	Top Cover	1
2	LLU145N	LLU145N	Main Frame	1
2	360010	360010	Main Frame – Grey	1
3	360004	360004	Bottom Cover	1
3	360011	360011	Bottom Cover – Grey	1
4	G-L-LLU6	LLU6	Feed Mast w/O-Ring – White	1
4	LLU6G	LLU6G	Feed Mast w/O-Ring – Grey	1
5	G-L-EC86	EC86	Turbine Drive Shaft – Complete	1
6	EC83	EC83	Turbine Spacers	2
7	G-L-EC80	EC80	Turbine Bearings	2
8	G-L-EA40	EA40	Turbine Shaft Shield	1
9	G-L-EC110	EC110	Turbine Cover w/Elbows	1
10	G-L-EC120	EC120	Turbine/Venturi Hose – 7¼" (20 cm) length	2
10	LLC120G	LLC120G	Turbine/Venturi Hose – 7¼" (20 cm) length – Grey	2
11	G-L-EB5L	EB5L	Sweep Hose – Complete	1
11	LLB5G	LLB5G	Sweep Hose – Complete – Grey	1
12	G-L-EB10	EB10	Sweep Hose – Wear Ring	9
13	G-L-EB25	EB25	Sweep Hose – Jet w/Collar	1
13	LLB25PM	LLB25PM	Sweep Hose – Jet w/Collar – Grey	1
14	370198	370198	Sweep Hose – Adjustment Screw	1
15	G-L-EA20	EA20	Ballast Float	1
15	LLA20G	LLA20G	Ballast Float – Grey	1
16	G-L-EH07	EH07	Sweep Hose – Hose Sleeve	4
16	LLH07PM	LLH07PM	Sweep Hose – Hose Sleeve – Grey	4
17	G-L-EU15	EU15	Coarse Mesh Bag – (Optional - not shown)	1
17	EU15G	EU15G	Coarse Mesh Bag – Grey Collar – (Optional - not shown)	1
18	360002	360002	Fine Mesh Bag – Mechanical Lock	1
18	360009	360009	Fine Mesh Bag – Grey – Mechanical Lock	1
18	G-L-EU16	EU16	Fine Mesh Bag – Velcro Brand Fastener	1
18	EU16G	EU16G	Fine Mesh Bag – Velcro Brand Fastener – Grey	1
19	G-L-EU9	EU9	Debris Valve	1
20	G-L-EU7	EU7	O-Ring for Feed Mast	1
21	G-L-E18	E18	O-Ring for Thrust Jet	1
22	G-L-EC130	EC130	Thrust Jet	1
23	G-L-EC135	EC135	Thrust Jet – Plate	1
23	LLC135G	LLC135G	Thrust Jet – Plate – Grey	1
24	G-L-EC65	EC65	Axle – Large Wheels	4
25	G-L-EC70	EC70	Axle Plate	4
26	370258Z	370258Z	Axle Screw w/Lock Washer	8
27	360006	360006	Wheel w/Out Bearings	4
28	G-L-EC60	EC60	Wheel Bearings – Only	8
29	G-L-EC55	EC55	Wheel Screw Plastic	4
29	LLC55PM	LLC55PM	Wheel Screw Plastic – Grey	4
30	G-L-E10	E10	Back-up Valve	1
30	LL10PM	LL10PM	Back-up Valve – Grey	1
31	360007	360007	Wheel – Rubber Tire	4
31	360012	360012	Wheel – Grey Tire	4
32	G-L-EB15	EB15	Hose Clamp	5
33	G-L-EC40	EC40	Screw	7
34	360005	360005	Hub Cap	4
34	360013	360013	Hub Cap – Grey	4

# LEGEND® PARTS LIST

Item #	International P/N's	USA P/N's	Description	Qty.
35	G-L-LD50	LLD50	Feed Hose – Soft - 10' (3 m)	1
35	LLD50PM	LLD50PM	Feed Hose – Grey Soft - 10' (3 m)	1
36	G-L-ED10P	ED10P	Float – Feed Hose	10
36	LLD10PM	LLD10PM	Float – Feed Hose – Grey	10
37	G-L-LD45	LLD45	Feed Hose – White - 10' (3 m)	2
37	LLD45PM	LLD45PM	Feed Hose – Grey - 10' (3 m)	2
38	G-L-ED05	ED05	Swivel – Feed Hose	2
38	LLD05PM	LLD05PM	Swivel – Feed Hose – Grey	2
39	G-L-LLU1	LLU1	Adapter Hose – White - 8½" (22 cm)	1
39	LLU1PM	LLU1PM	Adapter Hose – Grey - 8½" (22 cm)	1
40	G-L-ED15	ED15	Mender Nut – Plastic – Feed Hose	8
40	LLD15PM	LLD15PM	Mender Nut – Plastic – Feed Hose – Grey	8
41	G-L-EW22	EW22	Wall Fitting	1
41	LLW22PM	LLW22PM	Wall Fitting – Grey	1
41	E25	E25	Pressure Relief Valve – White	1
41	LL25PM	LL25PM	Pressure Relief Valve – Grey	1
42	G-L-E24	E24	Screen – Wall Fitting	1
43	G-L-E23	E23	Quick Disconnect Adapter	1
43	LL23PM	LL23PM	Quick Disconnect Adapter – Grey	1
44	G-L-EC64	EC64	Wheel – Plastic Washer	4
–	G-L-EH09C	EH09C	Sweep Hose Weight (Optional - not shown)	1
46	G-L-EG15	EG15	Gears – for Back-Up Valve	1
47	G-L-EC131	EC131	Thrust Jet Repair Kit – Includes: EC130, EC135 and E18	1
47	360014	360014	Thrust Jet Repair Kit – Includes: EC130, LLC135 and E19	1
48	G-L-EA30	EA30	Screw for EA40 and EC110	5
49	370017	370017	Sweep Hose – Scrubber	1
50	G-L-EU147	EU147	Snap Fit Vac Tube Posts	2
50	LLU147G	LLU147G	Snap Fit Vac Tube Posts – Grey	2
51	G-L-EU79	EU79	Nut & Bolt – Feed Mast to Vac Tube	1
52	G-L-LLU8	LLU8	Venturi Jets	2
52	LLU8G	LLU8G	Venturi Jets – Grey	2
53	G-L-EU80	EU80	Screw – Top and Bottom Cover	4
54	360008	360008	Clip Hose – for 360002	1
54	360015	360015	Clip Hose – Grey – for 360009	1



# LEGEND® — EXPLODED VIEW



## Service Client

Si vous avez des questions concernant la commande de pièces de remplacement Pentair Water Pool and Spa ("Pentair") et les produits pour piscines, veuillez nous contacter aux coordonnées suivantes :

**Service Client/Support Technique – Etats-Unis** (8h00-16h30 — heures de l'est et du Pacifique)

Tél. : (800) 831-7133

Fax : (800) 284-4151

**HERENTALS, BELGIQUE** – (de 8:30 à 16:30 — CET)

Tél. : + 32 (0) 14 25 99 11

### Site Web

visitez [www.pentairpool.com](http://www.pentairpool.com) / [www.staritepool.com](http://www.staritepool.com) / [www.pentairpooleurope.com](http://www.pentairpooleurope.com)  
pour en savoir plus sur les produits Pentair

### Déclaration de Conformité

Nous déclarons sous notre seule responsabilité que le produit identifié dans cette déclaration et auquel cette déclaration fait référence, est conforme aux exigences définies dans la Directive Européenne 98/37/EEG



Fabricant : Pentair Water Pool and Spa, Inc.

© 2011 Pentair Water Pool and Spa, Inc. Tous droits réservés.

Ce document pourra être modifié sans préavis.

1620 Hawkins Ave., Sanford, NC 27330 –Etats-Unis • (800) 831-7133 • (919) 566-8000

10951 West Los Angeles Ave., Moorpark, CA 93021 – Etats-Unis • (800) 831-7133 • (805) 553-5000

**Pentair Water Belgium bvba** • Industriepark Wolfstee • Toekomstlaan 30 • B-2200 Herentals – Belgique  
+32 (0) 14.25.99.11

**Marques déposés et déclarations de garantie** : Les marques de produits pour Piscines Kreepy Krauly®, Legend® et Pentair Water Pool and Spa® sont des marques déposées et/ou brevetées de Pentair Water Pool and Spa, Inc. et / ou ses filiales. À moins qu'il ne soit indiqué autrement, les noms et marques d'autres entités pouvant être employés dans ce document ne sont pas utilisés pour indiquer une quelconque relation entre les propriétaires de ces noms et marques et Pentair Water Pool and Spa, Inc. Ces noms et marques peuvent être les marques déposées de ces tiers ou d'autres.

# INSTRUCTIONS DE SÉCURITÉ ET AVERTISSEMENTS IMPORTANTS



## Avis important :

**Mise en garde pour l'installateur:** Ce guide contient des informations importantes sur l'installation, le fonctionnement et l'utilisation sûre de ce produit. Ce guide doit être remis au propriétaire et/ou à l'utilisateur de cet équipement suite à l'installation du nettoyeur de piscine.

**Mise en garde pour l'utilisateur:** Ce manuel contient des informations importantes qui vous aideront dans l'utilisation et l'entretien de ce nettoyeur de piscine. Veuillez le conserver pour vous y reporter ultérieurement. Consultez Pentair Pool and Spa (« Pentair ») pour toutes les questions au sujet de cet équipement.

**⚠ AVERTISSEMENT** — Avant d'installer ce produit, lisez et respectez tous les avertissements et instructions fournis. Le non respect de ces avertissements et instructions sur la sécurité peut entraîner des blessures graves, voire mortelles ou des dommages matériels. Composez le (800) 831-7133 pour d'autres copies gratuites de ces instructions.

## Sécurité et informations destinées au consommateur

Les nettoyeurs de piscine Pentair sont conçus et fabriqués afin de fournir des années de service fiable et en toute sécurité lorsque ceux-ci sont installés, utilisés et entretenus selon les informations présentées dans ce manuel. Dans ce manuel, les avertissements de sécurité et les mises en garde sont identifiés par le symbole « ⚠ ». Assurez-vous de lire tous les avertissements et mises en garde et de vous y conformer.

**⚠ AVERTISSEMENT** — **Risque d'aspiration.** Ne jouez pas avec le nettoyeur ou le tuyau et ne les mettez pas contre le corps. Les cheveux ou une partie du corps pourraient se trouver emprisonnés ou arrachés. Le tuyau peut entraîner une chute ou s'entortiller sur les nageurs, entraînant une noyade.



**⚠ AVERTISSEMENT** — **Risque d'entraînement par aspiration, de blessure et de noyade.** Si votre piscine comporte un orifice d'aspiration spécial (« orifice pour aspirateur ») pour aspirateur ou pour un nettoyeur de piscine automatique, celui-ci **doit être couvert lorsqu'il n'est pas utilisé.** Un couvercle de sécurité rappelé par ressort (un « raccord d'orifice d'aspiration ») est fourni avec votre nettoyeur. Installez-le sur l'orifice d'aspiration pour éviter les entraînements par aspiration et les blessures. Si le couvercle fourni ne convient pas, achetez-en un auprès du magasin de piscine local et installez-le. Le couvercle doit être conforme à la norme IAPMO SPS4-99A.



**⚠ AVERTISSEMENT** — **Arrêtez la pompe** avant d'essayer de nettoyer l'appareil. Ne laissez personne dans la piscine lorsque le nettoyeur de piscine est en marche.

**⚠ AVERTISSEMENT** — Pour réduire le risque de blessure, ne laissez pas les enfants utiliser le nettoyeur de piscine, n'y jouer avec celui-ci.

**⚠ AVERTISSEMENT** — Ne laissez personne dans la piscine lorsque le nettoyeur de piscine est en marche. Le tuyau peut entraîner une chute ou s'entortiller sur les nageurs, entraînant une noyade.

**⚠ ATTENTION** — L'oscillateur peut blesser les mains et les doigts. **Arrêtez la pompe** avant d'essayer de nettoyer la tête du nettoyeur de piscine.



# DÉCHARGE

## **Remarque importante concernant votre piscine et le nettoyeur Legend® :**

Il existe une multitude de facteurs qui affectent la durée de vie de votre piscine. Le nettoyeur automatique de piscine Legend® est un produit très passif qui n'aura aucun impact sur la durée de vie de votre piscine.

Vous devez garder à l'esprit qu'avec le temps, une détérioration, une décoloration et une friabilité de la finition de la piscine peuvent être causées séparément par, ou en combinaison avec, le vieillissement, un déséquilibre dans la composition chimique de l'eau de la piscine, une mauvaise installation ou d'autres facteurs. Un nettoyeur automatique de piscine tel que le Legend® n'enlèvera ou ne causera pas d'usure sur le " bon " plâtre de piscine. En fait, le contraire est vrai, le plâtre de la piscine peut causer une usure sur le nettoyeur.

Cela se vérifie également pour les piscines enterrées tapissées de vinyle, puisque les revêtements en vinyle sont aussi affectés par l'environnement et des facteurs tels que la composition chimique de l'eau de la piscine, la lumière du soleil et les alentours de la piscine.

Par conséquent, au fil du temps, le vinyle peut devenir cassant et fragile. En outre, les piscines avec un revêtement en vinyle sont affectées par la fabrication, la composition et l'installation du revêtement ainsi que par la fabrication et la qualité de la construction des parois porteuses et de la base de la piscine. Tous ces facteurs peuvent contribuer à la dégradation du revêtement. La présence de l'un de ces facteurs dans votre piscine n'est pas liée à l'utilisation du nettoyeur Legend®.

## **Liste de vérification pré-installation**

Avant d'installer votre nettoyeur, relisez et assurez vous de bien comprendre tous les avertissements et consignes de sécurité contenus dans ce guide. En cas de non-respect de ces instructions ou d'installation inappropriée du nettoyeur entraînant des dommages sur la finition de la piscine ou le revêtement en vinyle, Pentair Water Pool and Spa, Inc. décline toute responsabilité pour la réparation ou le remplacement de toute structure ou de tout composant de la piscine du client.

### **Avant d'installer le nettoyeur dans une piscine à revêtement en vinyle :**

Avant d'installer le nettoyeur de piscine, examinez avec attention l'intérieur de votre piscine. Examinez de près le revêtement pour vérifier qu'il n'y ait pas de dommages liés à l'usure, à des produits chimiques, à des dégradations sur la paroi de la piscine, etc. Si vous détectez des dommages, faites appel à un professionnel qualifié en matière de piscine pour qu'il effectue toutes les réparations nécessaires. De plus, si votre revêtement en vinyle est cassant, présente des plis, des cailloux, des racines ou des traces de corrosion du métal en contact avec le dessous du revêtement, ou s'il y a des dommages sur la base ou les parois porteuses, n'installez pas le nettoyeur de piscine avant qu'un professionnel qualifié n'ait effectué les réparations nécessaires.

### **Avant d'installer le nettoyeur dans une piscine en béton projeté (gunite) ou une piscine partiellement ou entièrement carrelée :**

Avant d'installer le nettoyeur dans une piscine en béton projeté (gunite) ou une piscine partiellement ou entièrement carrelée, vérifiez qu'il n'y a pas de dalles détachées ou de raccords desserrés. N'installez pas de nettoyeur de piscine avant qu'un professionnel qualifié n'ait effectué les réparations nécessaires.

### **Avant d'installer le nettoyeur, nettoyez votre système de filtre :**

Assurez vous que vous avez bien nettoyé le filtre, y compris par un lavage à contre-courant, un rinçage et le vidage de tous les paniers. Le système doit être propre pour un fonctionnement et une surface d'action appropriés du nettoyeur.

### **Avant d'installer le nettoyeur, remplissez le tuyau d'eau :**

Assurez-vous toujours que la tête du nettoyeur est immergée et que le tuyau est rempli d'eau avant de connecter le tuyau au système de filtration (par un système d'écumage ou une applique dédiée). La présence d'air dans le système peut endommager la pompe par un fonctionnement à sec ou une surchauffe.

### **Avant d'installer le nettoyeur, considérez la surface de couverture du nettoyeur :**

Le nettoyeur est conçu pour débarrasser votre piscine des débris en approximativement 4 à 6 heures. Cela peut prendre moins de temps, selon la taille de votre piscine. Le nettoyeur n'a pas été conçu pour nettoyer automatiquement les marches ou escaliers ou pour fonctionner sous une couverture solaire. Il n'a pas non plus été conçu pour le nettoyage initial d'une nouvelle piscine ou lors de l'ouverture de votre piscine pour la saison.

### **APRÈS l'installation du nettoyeur, assurez-vous que le nettoyeur fonctionne correctement :**

Le nettoyeur peut nécessiter des ajustements mineurs pour assurer un fonctionnement correct et ne causer aucun dommage sur la finition de la piscine. Certains modèles de revêtement en vinyle sont particulièrement sensibles à l'usure de la surface, à l'effacement de motifs, au frottement de l'encre ou aux éraflures importantes causés par des objets entrant en contact avec la surface en vinyle, y compris les nettoyeurs automatiques de piscine. Pentair Water Pool and Spa, Inc. ne peut être tenue responsable de tout effacement de motif, de toute abrasion ou marque sur les revêtements en vinyle.



## LL505G LL505GG

### Information importante :

Le nettoyeur automatique de piscine Legend® est prêt à être branché dans une ligne fileté femelle 38 mm, réservée à notre pompe de surpression universelle. En outre, si vous disposez d'un chlorateur, d'un système solaire ou d'un autre équipement à induction d'air, veuillez contacter notre Service de support technique au 1-800-831-7133 [Etats-Unis] ou {Herentals – Belgique +32 (0) 14.25.99.11}, avant d'installer le Legend®. (Voir le diagramme à la Page 28.)

***Il est important de tenir compte des indications suivantes avant d'installer et de faire fonctionner le Legend®.***

1. Débranchez toujours le Legend® de la paroi de la piscine lorsque vous nettoyez ou lavez le filtre de la piscine par contre-courant.
2. Après le nettoyage ou le rinçage par contre-courant, laissez le système de filtrage fonctionner pendant au moins cinq minutes avant de rebrancher le Legend®.
3. Les nouveaux tuyaux doivent être purgés avant d'installer le Legend®.
4. Le Legend® ne doit pas être utilisé pour éliminer la poussière de ciment dans les piscines neuves.
5. Enlevez toujours le Legend® avant que les nageurs n'entrent dans la piscine.
6. Manipulez toujours le Legend® avec soin. Ne laissez ni les enfants ni les animaux domestiques jouer avec l'appareil : il ne s'agit pas d'un jouet.
7. Soulevez toujours le Legend® par le poignée, notamment lorsque vous sortez l'appareil de l'eau.
8. Ne manipulez pas le Legend®, si ce n'est pour vérifier la vitesse des roues, tant qu'il est en fonctionnement.
9. Enlevez toujours le Legend® de la piscine avant tout traitement chimique de choc. En règle générale, l'eau qui n'est pas apte pour la baignade ne convient pas au Legend®.
10. Coupez soigneusement le tuyau d'alimentation en suivant les consignes données à la Page 29.

***Si vous suivez ces instructions simples, vous pourrez éviter les risques de blessures et prolongerez la durée de vie utile de votre Legend®.***

---

Avant d'installer le Legend®, veuillez prendre un instant pour enregistrer le numéro de série. Ce numéro se trouve sur votre carte de garantie au dos du Legend® près du jet arrière. Ce numéro vous sera demandé lorsque vous contacterez notre Service de support technique.

N° DE SÉRIE \_\_\_\_\_

---

# TABLE DES MATIÈRES

Consignes de Sécurité Importantes .....	23
Décharge .....	24
Information Importante .....	25
<b>I. Introduction .....</b>	<b>27</b>
A. Merci d'avoir choisi le Legend® .....	27
B. Les avantages du Legend® .....	27
<b>II. Instructions d'Installation .....</b>	<b>28</b>
A. Pièces du Legend® .....	28
B. Connexions à la piscine .....	28
C. Installation de la pompe relais .....	28
D. Installation de la vanne de décharge à verrouillage par rotation (installation murale) .....	29
E. Découpe du tuyau d'alimentation .....	29
F. Contrôle du Fonctionnement .....	33
G. Réglage précis du Legend® .....	33
1. Ajustement du jet de poussée .....	33
2. Ajustement du tuyau de balayage .....	33
3. Vérifier le nombre de tr/min de la roue .....	34
<b>III. Fonctionnement/Maintenance Périodique .....</b>	<b>34</b>
A. Connexion/Déconnexion du Legend® .....	34
B. Mettre le Legend® sur marche/arrêt .....	34
C. Nettoyage du Sac de Déchets .....	35
D. Maintenance périodique .....	35
1. Crépine de fixation murale .....	35
2. Pneus et roulements .....	36
3. Couronne de galets .....	36
4. Sacs de déchets .....	36
5. Tuyau de balayage .....	36
6. Vanne de déchets .....	36
E. Lavage à contre-courant du filtre de la piscine .....	36
F. Stockage et rangement pour l'hiver .....	36
G. Accessoires .....	37
1. Poids du tuyau de balayage .....	37
2. Récupérateur de feuilles .....	37
3. Nouveaux pneus à ventouse Legend® .....	37
<b>IV. Dépannage .....</b>	<b>38</b>
Pièces de rechange .....	39
Pièces illustrées .....	41

# I. Introduction

## A. *Merci d'avoir choisi le nettoyeur de piscine Legend®*

Félicitations pour l'achat de votre nouveau nettoyeur automatique de piscine. Le Legend® est conçu pour vous offrir des années de service fiable et efficace. Avec le Legend®, votre famille et vous passerez plus de temps à vous détendre et à profiter de votre piscine et moins de temps à la nettoyer.

Le Legend® a été conçu et développé avec des fonctions ayant fait leurs preuves et des innovations pour créer un nettoyeur automatique de piscine qui vous offrira des années de service fiable.

Le Legend® fait la fierté des personnes qui le fabriquent et s'intéressent au produit en utilisant des matériaux de pointe et assortis d'une garantie protégeant contre les défauts de pièce et main d'œuvre.

Comme tout appareil mécanique, le Legend® a besoin d'une maintenance préventive et certaines pièces fortement sollicitées pendant le fonctionnement doivent être remplacées. Nous vous conseillons de faire contrôler votre Legend® tous les ans. Pour de meilleurs résultats, faites installer votre Legend® par un technicien spécialement formé à l'installation de piscines.

Des instructions d'installation sont fournies dans ce manuel. Elles sont destinées aux propriétaires de piscines ayant acquis une certaine expérience en plomberie et en mécanique.

**La sécurité d'abord !** Vérifiez que vous avez bien enlevé le Legend® de votre piscine et que vous l'avez rangé soigneusement dans un endroit à l'ombre avant que quiconque entre dans la piscine.

## B. *Utilité du Legend®*

Lorsqu'il est bien utilisé, le Legend® suit un parcours aléatoire dans la piscine en aspirant et balayant le fond de la piscine. La capacité d'escalade du Legend® dépend de la forme de la piscine. Il monte mieux dans des piscines sans angles aigus et sans courbes dans la transition entre le sol de la piscine et la paroi.

Le Legend® est équipé d'une fixation murale (N° de pièce G-L-EW22/LLW22PM) elle-même munie d'une vanne de décharge à verrouillage par rotation. Si le Legend® reçoit trop de pression d'eau de l'appareil, la vanne de décharge peut être réglée manuellement pour réduire la pression de l'eau.

Environ toutes les trois minutes et 30 secondes, le Legend® passe en mode à contre-courant. À ce moment-là la vanne de contre-courant déloge le Legend® de sa position actuelle et augmente son déplacement aléatoire.

Le tuyau de balayage fonctionne avec un léger mouvement de balayage pour empêcher que les débris se coincent dans les coins de la piscine difficiles d'accès.

## II. Instructions d'Installation

### A. Pièces du Legend®

Le coffret d'emballage du Legend® contient :

1. Tête de nettoyage
2. Sac de déchets
3. Tuyau de balayage (fixé à la tête de nettoyage)
4. Tuyau d'alimentation complet
  - a. 1 - Tuyau - 22 cm
  - b. 2 - Tuyaux blancs (rigides) - 3 m
  - c. 1 - 75 cm Tuyau (flexible) / 1 - 2,3 m Tuyau (flexible)
  - d. 10 - Flotteurs
  - e. 3 - Joints articulés
  - f. 1 - Vanne de contre-courant
  - g. 10 - Écrous
  - h. 1 - Installation murale complète

### B. Connexions à la piscine

Le Legend® est équipé d'un raccord de connexion à une conduite filetée femelle de 38 mm, consacrée à notre pompe relais universelle.

En outre, si votre piscine ne dispose pas d'une ligne de nettoyage dédiée, veuillez contacter notre Service de support technique au 1-800-831-7133 [Etats-Unis] ou {Herentals – Belgique +32 (0) 14.25.99.11}.

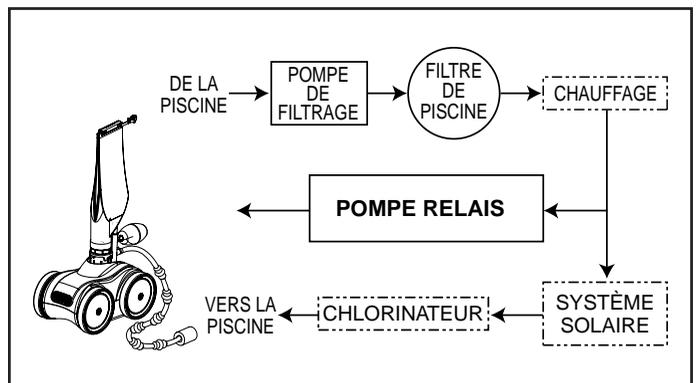
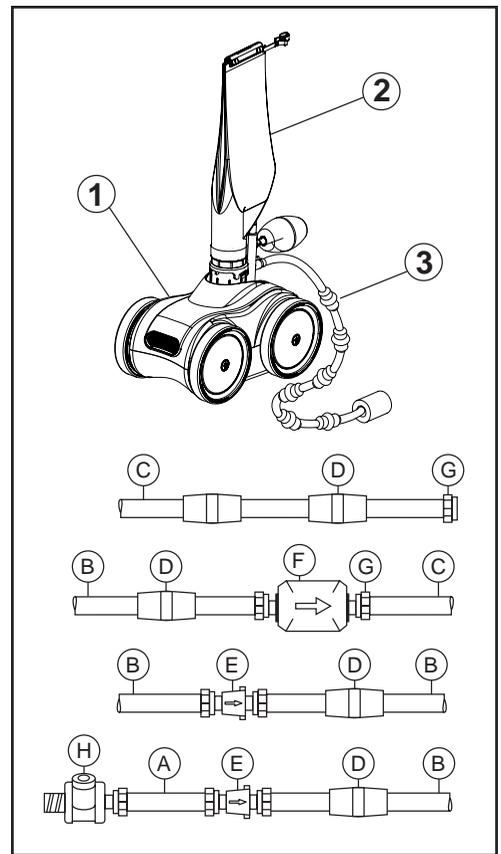
### C. Installation de la pompe relais

Si vous disposez déjà d'une pompe relais 3/4 chevaux installée sur votre équipement et opérationnelle, ignorez cette section et passez au paragraphe Installation de la vanne de décharge de pression à verrouillage par rotation (installation murale).

Les instructions détaillées pour l'installation de la pompe relais sont emballées séparément dans la boîte de la pompe relais.

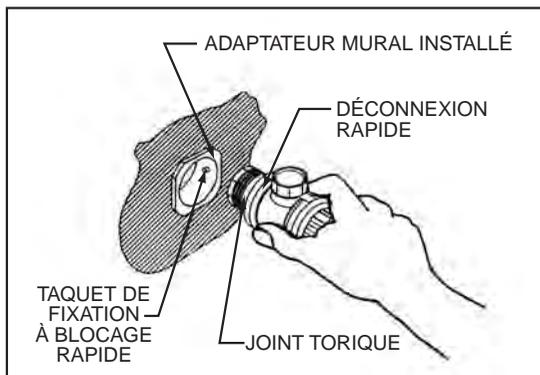
***Veuillez suivre attentivement ces instructions.***

La pompe relais n'est pas à amorçage automatique ; elle doit donc être alimentée en eau du filtre de la piscine en amont de tout type de chlorinateur sur ligne.



## D. Installation de la vanne de décharge à verrouillage par rotation (installation murale)

1. Enlevez tout système de nettoyage de piscine existant et/ou dispositif mural.
2. Allumez la pompe de filtrage et la pompe relais, vidangez le tuyau de pompage.
3. Éteignez la pompe de filtrage et la pompe relais.
4. Enlevez l'adaptateur mural de la fixation murale et vissez manuellement l'adaptateur sur la conduite prévue à cet effet. Vissez-le jusqu'à ce qu'il soit bien fixé.
5. Prenez la fixation murale et verrouillez-le par rotation dans l'adaptateur mural en lui faisant subir 1/4 de tour, puis tirez jusqu'à ce qu'il s'emboîte bien. Lorsque l'adaptateur mural est bien fixé, vous pouvez le verrouiller et le déverrouiller pour retirer facilement la fixation murale de l'adaptateur mural.

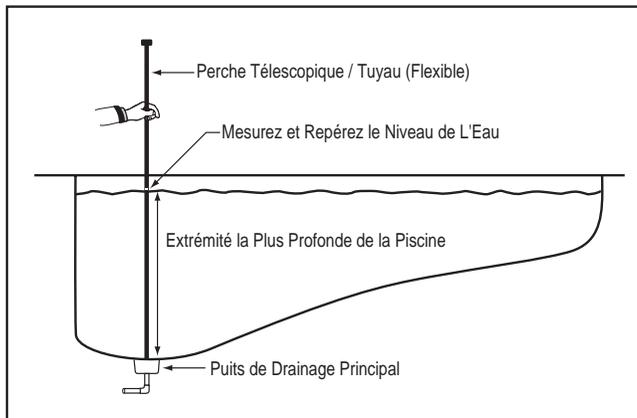


## E. Découpe du tuyau d'alimentation (voir schémas des tuyaux à la Page 30)

La tuyauterie est livrée en 5 parties qui couvrent environ 9 m de la piscine, ce qui fournit une couverture de tuyaux suffisante pour la plupart des piscines privées. La vanne de contre-courant est placée à 75 cm de la tête de nettoyage et doit toujours rester à cette distance. Pour des piscines plus grandes, reportez-vous #14 à la page 32 pour savoir comment ajouter un tuyau d'alimentation supplémentaire.

1. Extrayez le tuyau d'alimentation de la boîte (il a environ 9 mètres de long). Avant d'installer l'appareil, vous devez placer le tuyau d'alimentation au soleil (pendant une journée si possible). Le tuyau a été enroulé dans la boîte et est parfois enroulé. Si c'est le cas, prenez la première ou la deuxième section du tuyau du mur et renversez-le (retournez-le). Il se peut que vous ayez à inverser les deux sections pour corriger le problème. Vérifiez que le tuyau d'alimentation est bien coupé et installé correctement.
2. Mesurez la profondeur de votre piscine grâce à votre perche télescopique ou l'extrémité libre du tuyau d'alimentation. Découpez le tuyau (flexible) à une dimension égale à la profondeur de votre piscine. (Astuce : le puits de drainage à grille ou à coupole principal situé au fond est généralement le point le plus profond).

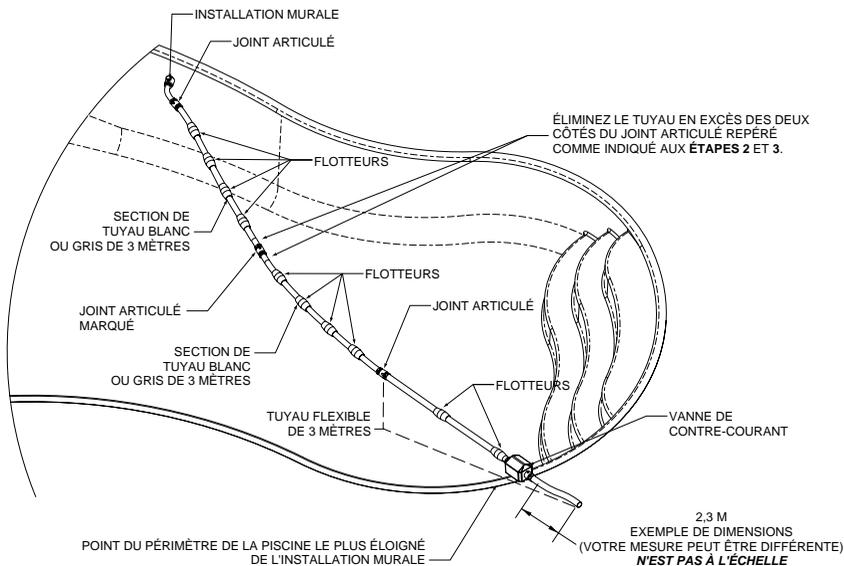
*Exemple :* le tuyau (flexible) a une longueur de 3 m, si la piscine a une profondeur de 2,5 m, découpez 0,5 m du tuyau (flexible). Si la profondeur est supérieure à 3 m, ne découpez pas le tuyau (flexible).



## EXEMPLE DU MONTAGE DU TUYAU AVANT DE DÉCOUPER À LA LONGUEUR

### OPÉRATIONS À RÉALISER

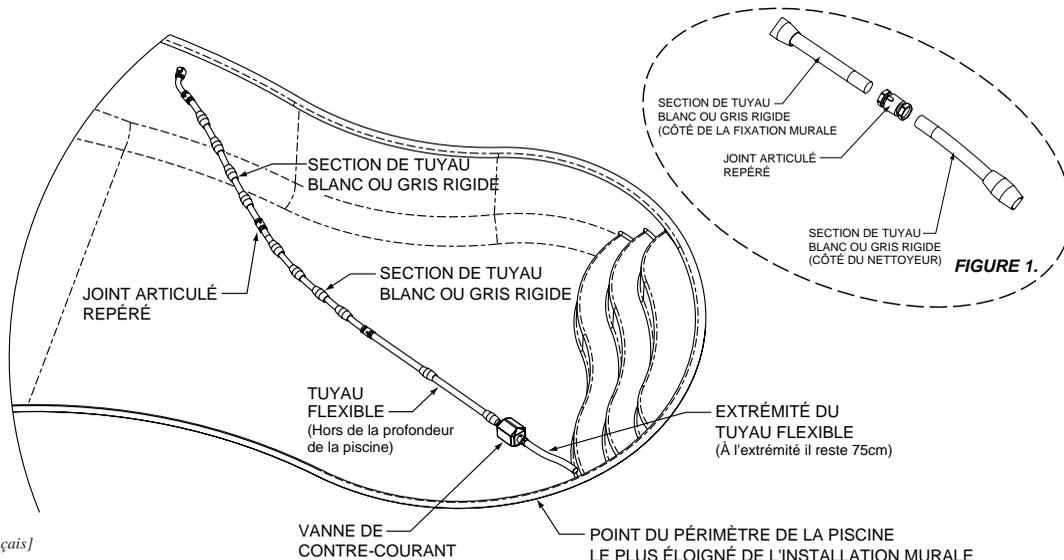
1. Lorsque l'ensemble du tuyau d'alimentation est fixé sur la paroi du mur, saisissez l'ensemble du tuyau d'alimentation par l'extrémité opposée avec le tuyau et parcourez le périmètre de la piscine pour trouver le point le plus éloigné de la fixation murale sans tirer sur le tuyau.
2. Mesurez la distance sur laquelle s'étend le tuyau au-delà du point du périmètre de la piscine le plus éloigné détecté lors de l'opération précédente - (2,3 m dans cet exemple).
3. Découpez la moitié de la longueur obtenue à l'étape 2 - (1m dans cet exemple), à égale distance de chacun des 3 mètres de longueur du tuyau blanc ou gris sur les deux côtés du joint articulé marqué



## EXEMPLE DU TUYAU TERMINÉ APRÈS L'AVOIR DÉCOUPÉ À LA LONGUEUR VOULUE

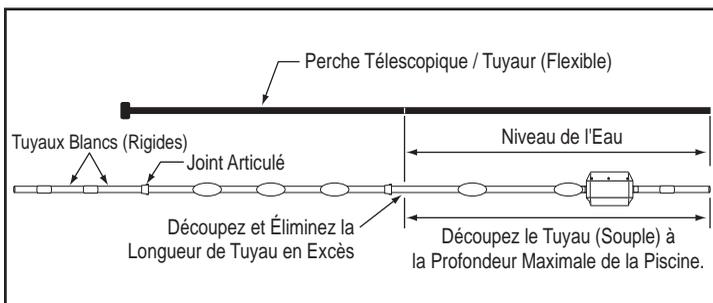
### OPÉRATIONS À RÉALISER

4. Remontez les tuyaux avec les écrous fournis comme indiqué dans la **FIGURE 1**.
5. Le tuyau terminé doit avoir cette apparence. L'extrémité du tuyau de 75 cm doit atteindre juste le bord de la piscine le plus éloigné comme indiqué.



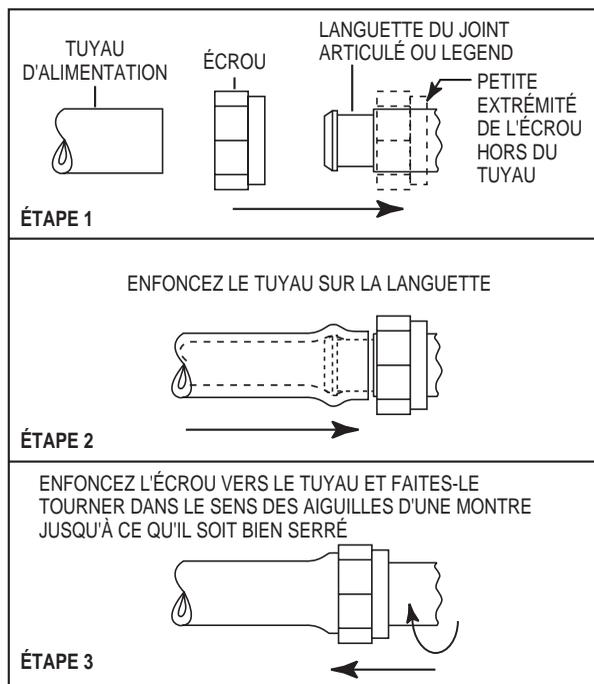
## E. Découpe du tuyau d'alimentation - (suite)

- Placez la perche télescopique à côté du tuyau (flexible). Si le tuyau (flexible) est plus long que le repère sur la perche télescopique, découpez le tuyau en excès de l'extrémité fixée au tuyau blanc (rigide). Ne découpez pas le flotteur. Laissez le premier flotteur en position à côté de la vanne de contre-courant. Placez le deuxième flotteur à mi-distance entre le premier flotteur et le joint articulé du tuyau.



- Fixez le tuyau d'alimentation à la fixation murale et fixez la fixation murale à la paroi de la piscine. Saisissez l'extrémité du tuyau (souple) et parcourez le périmètre de la piscine en tenant le tuyau bien droit (ne le tendez pas) pour trouver le point de la piscine le plus éloigné de la fixation murale.
- Mesurez la longueur excédentaire entre le point de la piscine le plus éloigné de la fixation murale et l'extrémité du tuyau (souple) de 75 cm.
- La moitié de cette longueur mesurée doit être **découpée de manière égale dans les tuyaux blancs (rigides) de 3 m, à proximité du joint articulé repéré.** (Exemple : moitié de 180 cm = 90 cm chacun). Si vous découpez plus de 60 cm des tuyaux, enlevez les flotteurs à côté du joint articulé repéré des deux tuyaux. Reportez-vous aux figures à la Page 30.
- Remontez les tuyaux et le joint articulé à l'aide des écrous. Placez l'écrou d'abord sur les joints articulés, puis enfoncez le tuyau sur le joint articulé, faites tourner l'écrou sur le tuyau dans le sens des aiguilles d'une montre jusqu'à ce qu'il soit bien serré.

*Remarque : conservez autant de flotteurs que possible sur les tuyaux d'alimentation blancs espacés à égale distance les uns des autres pour maintenir le tuyau à la surface de l'eau.*



## E. Découpe du tuyau d'alimentation - (suite)

- Lorsque vous découpez les tuyaux, utilisez des cisailles ou un couteau bien aiguisé. Écartez les flotteurs de l'endroit de la découpe.
- Placez un écrou supplémentaire sur l'axe du Legend® et enfoncez doucement le tuyau (doux) sur l'axe à 12 mm, serrez l'écrou autour du tuyau (flexible).

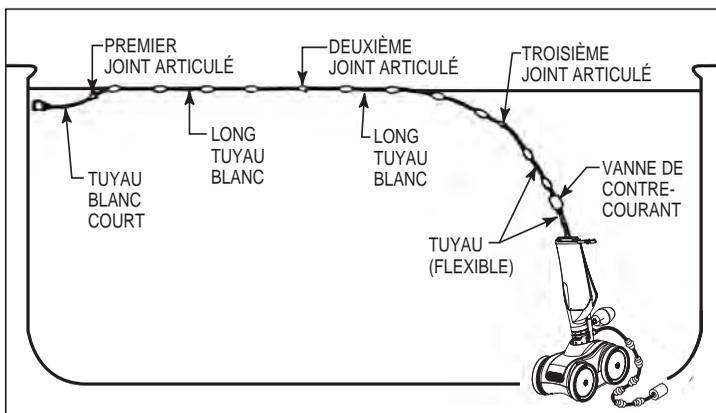
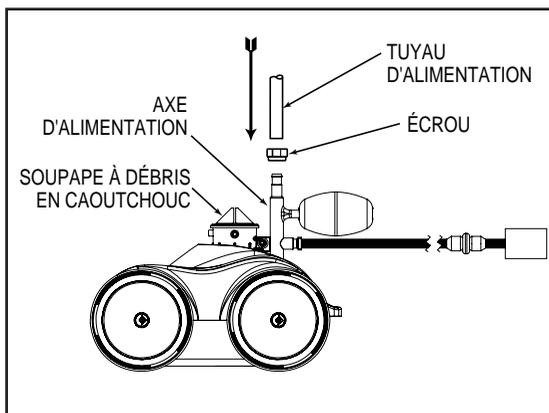
**Remarque :** la vanne de contre-courant doit toujours être à 75 cm de la tête du nettoyeur.

- Extrayez à présent le sac, 360002/360009, de la boîte et vissez-le fermement sur la partie supérieure de la gorge du Legend® par-dessus la vanne en caoutchouc de filtrage des débris.
- Réviser l'ensemble et contrôlez les points suivants : les tuyaux blancs et clairs sont découpés correctement et les flotteurs sont espacés de manière uniforme. Les écrous sont bien serrés sur les joints articulés, la vanne de contre-courant, l'axe du Legend® et la fixation murale. Vérifiez que la fixation murale est bien bloquée et en place.

- Immergez l'ensemble du Legend® avec précaution dans la piscine. Il doit avoir l'apparence illustrée par la figure.

- Revenez à votre équipement et faites mettre tout d'abord la pompe de filtrage en service (attendez 30 secondes pour que l'air sorte du tuyau), puis allumez la pompe relais.

- Pour ajouter des tuyaux d'alimentation supplémentaires pour des piscines plus grandes qui nécessitent une longueur de tuyau plus importante, vous devez acheter un (1) tuyau supplémentaire (G-L-LD45/LLD45PM), quatre (4) flotteurs (G-L-ED10P/LLD10PM), un (1) joint articulé (G-L-ED05/LLD05PM) et deux (2) écrous (G-L-ED15/LLD15PM). Fixez le tuyau blanc (rigide) supplémentaire entre le tuyau clair (flexible) et le tuyau blanc (rigide) à l'aide des flotteurs, du joint articulé et des écrous. Divisez alors le tuyau blanc (rigide) supplémentaire en trois (3) parties pour conserver la même longueur sur tous les tuyaux blancs.



## F. Contrôle du Fonctionnement

Lorsqu'il est bien utilisé, le Legend® se déplace au hasard dans la piscine, aspire et balaie le fond de la piscine. La capacité d'escalader du Legend® dépend de la structure de la piscine et du débit d'eau qui pénètre dans la piscine. Il sera plus efficace dans des piscines ne présentant pas d'angles aigus et de courbes dans la transition entre le sol de la piscine et la paroi.

Le Legend® est fourni avec une vanne de décharge à verrouillage par rotation (fixation murale). Si le Legend® reçoit trop de pression d'eau, la vanne de décharge située dans la fixation murale décharge la pression d'eau en excès.

Environ toutes les trois minutes et 30 secondes, le Legend® passe en mode à contre-courant. Dans ce mode, la durée du cycle de la vanne de contre-courant est d'environ 30 secondes ; elle déluge le Legend® de sa position actuelle et augmente son déplacement aléatoire.

### Informations sur la nouvelle vanne de contre-courant :

L'insert de la vanne à contre-courant se glisse dans l'encoche réalisée sur le jet de la vanne. Il est fixé avec une vis en acier inoxydable comme indiqué dans le schéma. L'insert est réglé en usine avec l'orifice le plus grand (9,5 mm) sur l'ouverture du jet. L'orifice le plus grand est utilisé pour le nettoyeur du Legend®. Si vous utilisez l'insert avec le plus petit orifice (6 mm) la vanne de contre-courant verra sa pression de jet augmenter, ce qui risque de provoquer l'enchevêtrement de votre tuyau.

Le tuyau de balayage fonctionne avec un léger mouvement de balayage pour empêcher les débris de se coincer dans les coins difficiles d'accès des piscine.

Si le Legend® ne se déplace par sur toutes les zones de la piscine, éteignez la pompe relais et la pompe de filtrage de la piscine et procédez aux réglages nécessaires selon les instructions de la section suivante.

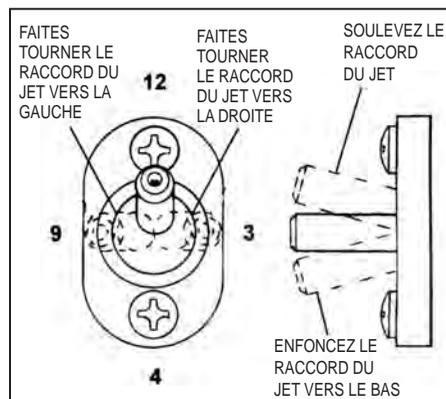
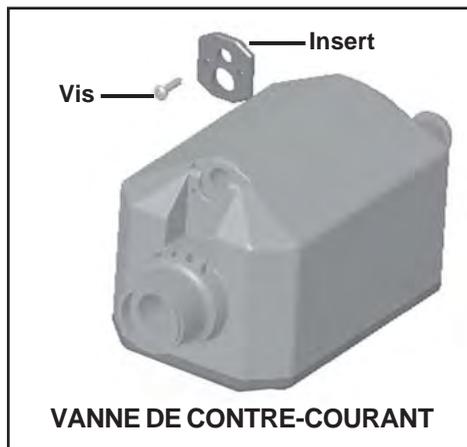
## G. Réglage précis du Legend®

### 1. Réglage du jet

Un jet de poussée est placé à l'arrière du Legend®. Ce jet modifie la direction du nettoyeur. La position standard d'usine pour le jet est réglée au centre et tout droit. (Voir illustration.)

### 2. Réglage du tuyau de balayage

Le tuyau de balayage fonctionne avec un doux mouvement de balayage. Pour augmenter ou diminuer l'intensité du mouvement du tuyau de balayage, réglez la vis située sur la languette de l'axe d'alimentation au-dessous du flotteur de lest. Faites tourner la vis dans le sens des aiguilles d'une montre pour réduire le mouvement et dans le sens inverse pour augmenter le mouvement du tuyau de balayage.



## G. Réglage précis du Legend® - (suite)

### 3. Contrôle du régime de la roue

Pour déterminer si le Legend® reçoit la pression d'eau correcte, éteignez la pompe de la piscine et retirez soigneusement le Legend® de la piscine.

Faites un repère sur la roue/le pneu d'entraînement avant avec un marqueur, ou utilisez le logo Pentair situé sur le côté de la roue comme repère pour compter le nombre de rotations de la roue par minute.

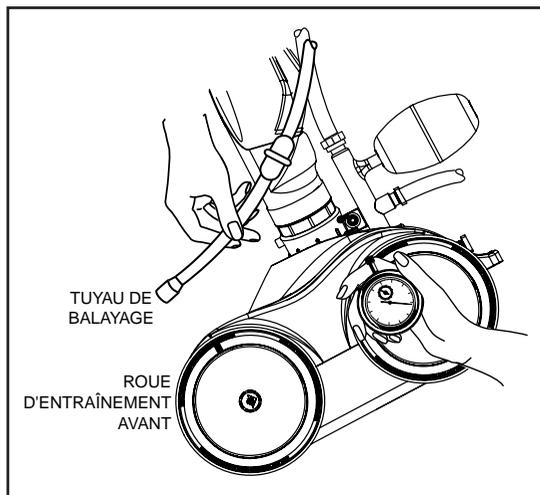
Demandez à quelqu'un d'allumer la pompe de la piscine et la pompe relais pendant que vous placez le Legend® dans la piscine juste au-dessous de la surface de l'eau. (Veillez à maintenir le tuyau de balayage pour ne pas vous mouiller).

Comptez les tours de la roue repérée pendant exactement une minute. (Vérifiez que la vanne de contre-courant ne fonctionne pas à cet instant). Le nombre de tours que vous comptez vous donne le nombre de tours par minute (tours/minute).

Pour une performance correcte, le Legend® fonctionne entre 28 et 32 tours/minute. Si le régime est inférieur à 28, contactez votre spécialiste en piscine. Si le nombre de tr/min est inférieur à 28, appelez le professionnel en charge de l'entretien de votre piscine ou contactez notre Service de support technique au 1-800-831-7133 [Etats-Unis] ou {Herentals – Belgique +32 (0) 14.25.99.11}.

Si le nombre de tours par minute est supérieur à 32, sur la fixation murale dévissez la vanne de décharge jusqu'à ce que le régime soit compris entre 28 et 32.

**Si vous avez des questions supplémentaires, veuillez contacter le service de support technique de Pentair Water Pool and Spa, Inc. au 1-800-831-7133 [Etats-Unis] ou {Herentals – Belgique +32 (0) 14.25.99.11}, du lundi au vendredi.**



## III. Fonctionnement/Maintenance Périodique

### A. Connexion/Déconnexion du Legend®

Éteignez la pompe de la piscine et la pompe relais. Saisissez ensuite la fixation murale et fixez-la par rotation dans l'adaptateur mural dans le sens des aiguilles d'une montre. Pour débrancher le Legend®, débloquez-le et faites-le tourner dans le sens inverse des aiguilles d'une montre. L'adaptateur mural doit rester fixé sur la paroi de la piscine.

### B. Allumer/Éteindre le Legend®

Le Legend® fonctionne avec la pompe relais fournie avec l'équipement, et peut être allumé ou éteint en allumant ou éteignant simplement le minuteur de la pompe relais.

## C. Nettoyage du Sac de Déchets

Démontez soigneusement le sac de déchets du tuyau d'aspiration. Avec votre pouce, déplacez la réglette en « U » vers le haut jusqu'à ce qu'elle se déclenche et s'ouvre. Retirez-la de l'orifice. Ouvrez le sac et éliminez les déchets.

Pour fermer, enfoncez le centre du sac vers l'intérieur comme indiqué et rassemblez les bords pour donner au sac une forme d'accordéon. Replacez la réglette en « U » dans la position de fermeture.

Appuyez doucement sur la partie supérieure de la réglette en « U » pour vérifier qu'elle s'enclenche bien en place. Attachez à nouveau le clip sur le tuyau d'alimentation.

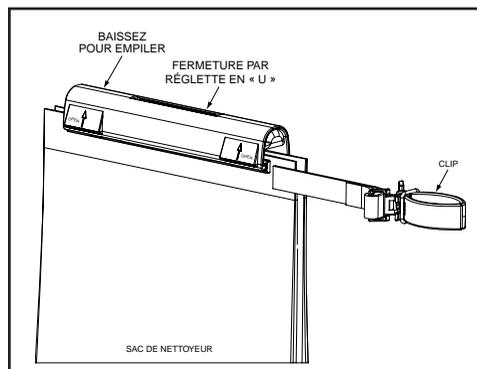
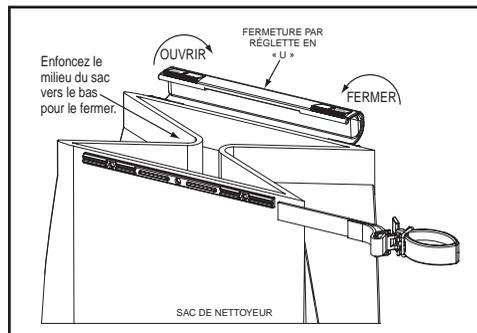
Votre sac de déchets peut être installé à nouveau dans votre système de nettoyeur.

Si votre piscine contient une importante quantité de déchets, notamment après un orage, vous pouvez faire fonctionner votre Legend® en deux cycles plus courts par jour et vider le sac de déchets entre deux cycles.

Installez à nouveau le sac de déchets sur le tuyau d'aspiration. Ne le retournez PAS.

**Une astuce utile** : il est plus facile de vider le sac de déchets lorsqu'il est sec. Vous pouvez utiliser un second sac pendant que le premier est en train de sécher.

Il vaut mieux vider le sac de déchets lorsqu'il est à moitié plein. Le Legend® fonctionnera mieux si le sac n'est pas surchargé.



## D. Maintenance périodique

Les pièces suivantes sont des pièces d'usure qui doivent être contrôlées, entretenues ou remplacées au besoin. Les pièces d'usure sont les pièces qui travaillent ou les pièces mobiles qui s'usent au fur et à mesure de l'utilisation du nettoyeur.

**Les pièces d'usure ne sont pas couvertes par la garantie.**

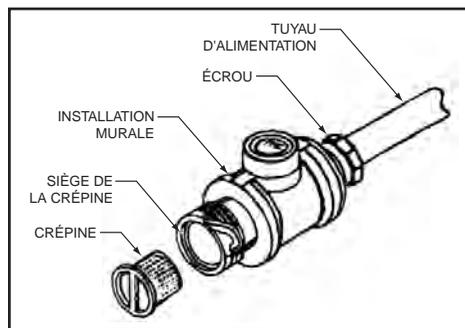
### 1. Crépine de fixation murale

Une crépine est prévue à l'intérieur de la fixation murale. Elle agit comme filtre secondaire. Cette crépine est conçue pour arrêter les déchets qui passent par le filtre de la piscine et vont dans le Legend®. Ne faites pas fonctionner le nettoyeur sans la crépine, vous pourriez endommager le Legend® et provoquer une annulation de la garantie.

Une crépine continuellement bouchée ou sale est un symptôme de problèmes dans le système de filtrage de votre piscine ; vous devez dans ce cas prendre contact avec un spécialiste.

Pour nettoyer la crépine, extrayez-la de l'intérieur de la fixation murale et rincez-la soigneusement. Puis enfoncez-la à nouveau dans la fixation murale.

Lorsque vous nettoyez, lavez à contre-courant ou réparez le filtre, démontez la fixation murale et vidangez la conduite prévue à cet effet en utilisant le Legend®.



## III. Fonctionnement/Maintenance Périodique - (suite)

### 2. Pneus et roulements

Les pneus sont conçus pour protéger le fond de votre piscine et fournir une meilleure traction. Vous devez faire tourner ou remplacer le pneu lorsqu'il est usé jusqu'à sillon d'usure.

Les roulements des roues sont garantis sans défaut lorsqu'ils sont expédiés par Pentair Water Pool and Spa, Inc., et sont considérés comme une pièce d'usure. Un bon roulement doit tourner sans gêne.

### 3. Couronne de galets

Votre tuyau de balayage est équipé de plusieurs couronnes de galets pour protéger le tuyau de balayage. Remplacez-les si besoin. Vous pouvez faire tourner les couronnes de galets pour empêcher la formation de sections plates.

### 4. Sacs de Déchets

*Sac de déchets à mailles serrées*

Le Legend® est équipé d'un sac de déchets du type généralement utilisé dans toutes les piscines. Nous ne vous recommandons pas d'utiliser des sacs à mailles serrées pour ramasser les feuilles ou les branchettes ou d'autres débris plus grands ; ils ont des pointes et des bords aigus qui pourraient touer le sac et même le crever.

*Sac pour feuilles en option*

Le sac pour feuilles est un sac à mailles plus grandes qui permet de ramasser des débris tels que les feuilles, les branchettes, les glands, etc. Ce sac peut être très utile, notamment après un orage.

**Une astuce utile :** pour accroître la durée de vie utile de vos sacs, enlevez le nettoyeur de la piscine avant d'ajouter des produits chimiques.

### 5. Tuyau de balayage

Le tuyau de balayage est fourni pour permettre de garder propres le fond et les parois de votre piscine. Le tuyau de balayage est garanti sans défaut lorsqu'il est expédié de l'usine, et est considéré comme une pièce d'usure.

### 6. Vanne de déchets

Cette vanne est située sous le sac de déchets et est conçue pour conserver les déchets à l'intérieur du sac. Elle fonctionne comme un clapet de non-retour, pour que les déchets ne puissent pas ressortir du sac. Il est nécessaire de la remplacer lorsque la vanne commence à se raidir.

### ***E. Lavage à contre-courant du filtre de la piscine***

Débranchez toujours le Legend® de la paroi de la piscine avant de nettoyer ou de laver le filtre de la piscine à contre-courant. Après avoir nettoyé ou lavé à contre-courant, faites fonctionner le circuit de filtrage de la piscine pendant cinq minutes au moins pour vidanger les tuyaux de retour avant de rebrancher le Legend®.

### ***F. Stockage et rangement pour l'hiver***

Ne laissez jamais le Legend® en plein soleil. Lorsque vous rangez le Legend® pour l'hiver, faites en sorte que toute l'eau qu'il contient soit évacuée. Cela est important, puisque les dommages causés par le gel ne sont pas couverts par la garantie. Démontez également la fixation murale.

## **G. Accessoires**

### **1. Poids du tuyau de balayage**

Si le tuyau de balayage a tendance à dépasser de la surface de l'eau et donc à éclabousser les fenêtres proches ou les passants, un poids peut être installé à l'extrémité du tuyau de balayage.

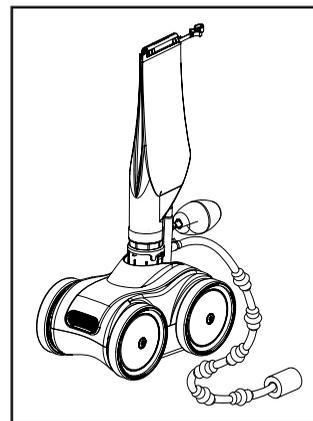
(Le n° de pièce pour le poids du tuyau est l'G-L-EH09C)

### **2. Récupérateur de feuilles**

(Voir page précédente)

### **3. Nouveaux pneus à ventouse Legend®**

Conçus pour passer dans les zones difficiles, sur les surfaces lisses, en fibre de verre et sur le carrelage. Pour les autres applications, veuillez contacter notre Service de support technique au 1-800-831-7133 [Etats-Unis] ou {Herentals – Belgique +32 (0) 14.25.99.11}.



Le n° de pièce pour les pneus à ventouse est le LC6LSA

## IV. DÉPANNAGE ET CONSEILS POUR AMÉLIORER LA PERFORMANCE

*Pour renforcer la performance de votre nettoyeur, suivez le guide de dépannage présenté ci-après.*

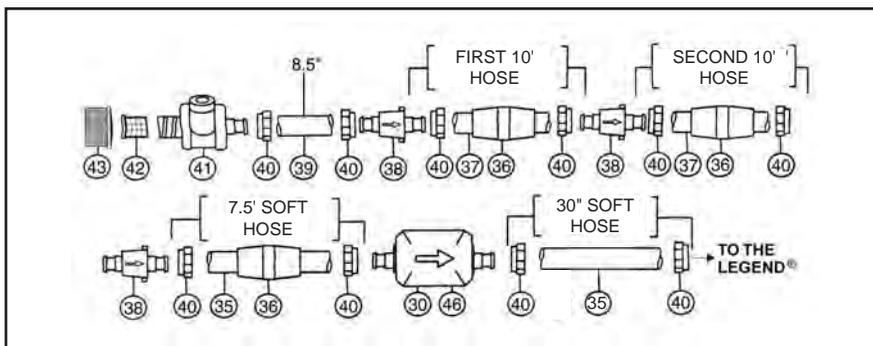
Problème	Solution
Le Legend® ne bouge pas ou se déplace difficilement ou reste bloqué au niveau des marches.	<ol style="list-style-type: none"> <li>1. Vérifiez que la pompe de filtrage et la pompe relais sont allumées et fonctionnent correctement. (Vous pouvez avoir besoin de nettoyer le circuit de filtration de votre piscine).</li> <li>2. Vérifiez la crépine de fixation murale pour détecter tout débris et rincez ou nettoyez.</li> <li>3. Vérifiez le nombre de rotations de la roue. (Voir la page 34.)</li> <li>4. Regardez si la vanne de contre-courant exécute bien les cycles. (Maintenez la vanne hors de l'eau ; le jet doit s'allumer pendant 30 secondes environ et s'éteindre pendant environ 3 minutes et 30 secondes).</li> <li>5. Vérifiez tous les raccords des tuyaux et les joints articulés pour voir s'ils ont des fuites ou des pertes de pression d'eau.</li> <li>6. Vérifiez s'il n'y a pas de déchets qui pourraient gêner l'engrenage de l'une des roues d'entraînement avant. Faites tourner doucement la roue avant vers l'arrière pour décoincer les débris.</li> </ol>
Le Legend® se retourne ou est penché sur le côté.	<ol style="list-style-type: none"> <li>1. Ceci indique généralement que le sac doit être vidé.</li> <li>2. Vérifiez si le flotteur de lest a des fuites en observant s'il contient de l'eau. Dévissez-le en le tirant vers l'arrière tout en le faisant tourner dans le sens inverse des aiguilles d'une montre. Lorsqu'il est démonté, secouez-le et écoutez si vous entendez des bruits d'eau à l'intérieur du flotteur.</li> </ol>
Le Legend® ne fonctionne pas à contre-courant.	<ol style="list-style-type: none"> <li>1. Regardez si la vanne de contre-courant exécute bien les cycles. (Maintenez la vanne hors de l'eau ; le jet doit s'allumer pendant 30 secondes environ et s'éteindre pendant environ 3 minutes et 30 secondes).</li> <li>2. Vérifiez le nombre de rotation de la roue. (Voir la page 34.)</li> <li>3. Videz le sac de déchets s'il est plein ou à moitié plein.</li> </ol>
Le Legend® ne grimpe pas.	<ol style="list-style-type: none"> <li>1. Même si vous ne voyez pas d'algues dans votre piscine, vous devez brosser les parois.</li> <li>2. Vérifiez le nombre de rotation de la roue. (Voir la page 34.)</li> <li>3. Remettez le jet de poussée dans la bonne position. Dévissez les deux vis pour le régler. (Voir la page 33.)</li> </ol> <p><b>Rappel :</b> la capacité de grimper du Legend® dépend de la forme de la piscine et de la pression d'eau disponible. Il monte mieux dans des piscines sans angles aigus et sans courbes dans la transition entre le sol de la piscine et la paroi.</p>
Les tuyaux s'emmêlent.	<ol style="list-style-type: none"> <li>1. Vérifiez la longueur du tuyau d'alimentation, il se peut qu'il soit trop long. (Voir des pages 29-32.)</li> <li>2. Vérifiez que le tuyau d'alimentation flotte bien à la surface. Vérifiez que les flotteurs du tuyau sont bien espacés de manière uniforme.</li> <li>3. Faites tourner les joints articulés pour voir s'ils tournent librement et remplacez-les si ce n'est pas le cas.</li> <li>4. Placez le tuyau d'alimentation au soleil pour éliminer toute forme non souhaitée.</li> </ol>
Le tuyau de balayage est aspiré dans le nettoyeur.	<ol style="list-style-type: none"> <li>1. Réglez le tuyau de balayage à l'aide de la vis de réglage située dans la partie inférieure de l'axe pivotant et juste au-dessous du jet supérieur. Faites tourner la vis de réglage dans le sens des aiguilles d'une montre jusqu'à ce que le tuyau de balayage effectue un mouvement doux de balayage.</li> </ol>
La pompe relais est très bruyante.	<ol style="list-style-type: none"> <li>1. Vérifiez que la fixation murale est bien fixée correctement à la paroi.</li> <li>2. Vérifiez que le circuit de filtrage de la piscine fonctionne correctement.</li> <li>3. Prenez contact avec un spécialiste - problème de pompe relais possible.</li> </ol>
Le tuyau de balayage dépasse de la surface de l'eau et gicle à proximité des fenêtres, des patios et des personnes.	<ol style="list-style-type: none"> <li>1. Réglez le tuyau de balayage pour qu'il effectue un mouvement de balayage doux.</li> <li>2. Ajoutez du poids supplémentaire au tuyau de balayage. (Voir la page 36.)</li> </ol>

# LEGEND® – PIÈCES DE RECHANGE

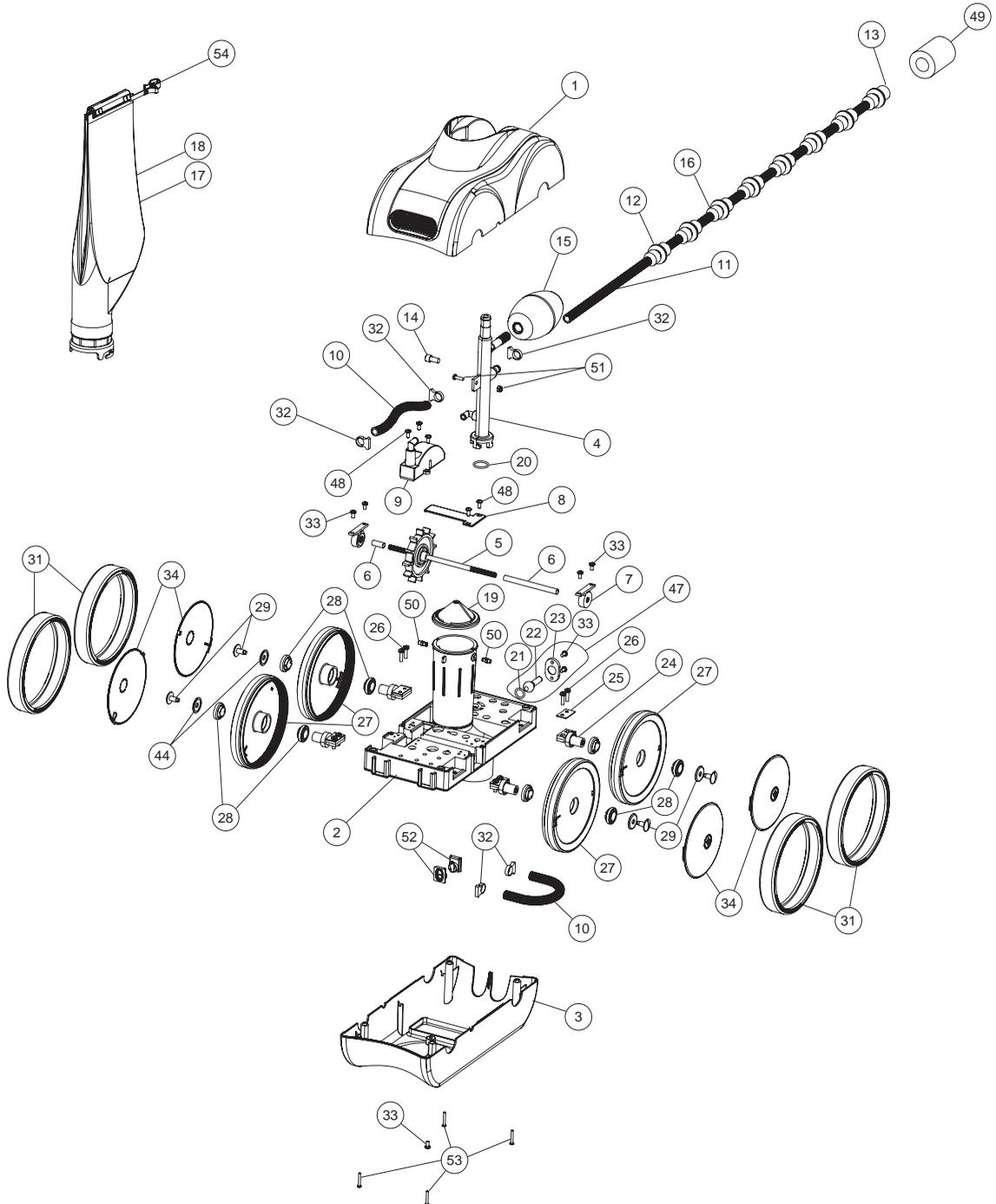
N° de l'article	Réf. de pièce	Description	Qté
1	360003	Couvercle supérieur	1
2	LLU145N	Cadre principal	1
2	360010	Cadre principal – Gris	1
3	360004	Couvercle inférieur	1
3	360011	Couvercle inférieur – Gris	1
4	G-L-LLU6	Axe d'alimentation avec joint torique – Blanc	1
4	LLU6G	Axe d'alimentation avec joint torique – Gris	1
5	G-L-EC86	Axe d'entraînement de la turbine – Complet	1
6	EC83	Entretoises de turbine	2
7	G-L-EC80	Roulements de turbine	2
8	G-L-EA40	Gaine d'axe de turbine	1
9	G-L-EC110	Couvercle de turbine avec coudes	1
10	G-L-EC120	Tuyau de turbine/Venturi – 20 cm de long	2
10	LLC120G	Tuyau de turbine/Venturi – 20 cm de long – Gris	2
11	G-L-EB5L	Tuyau de balayage – Complet	1
11	LLB5G	Tuyau de balayage – Complet – Gris	1
12	G-L-EB10	Tuyau de balayage – Bague d'usure	9
13	G-L-EB25	Tuyau de balayage – Jet avec collier	1
13	LLB25PM	Tuyau de balayage – Jet avec collier – Gris	1
14	370198	Vis de réglage du tuyau de balayage	1
15	G-L-EA20	Flotteur de lest	1
15	LLA20G	Flotteur de lest – Gris	1
16	G-L-EH07	Tuyau de balayage – Manchon du tuyau	4
16	LLH07PM	Tuyau de balayage – Manchon du tuyau – Gris	4
17	G-L-EU15	Sac à mailles grossières – (en option – non illustré)	1
17	EU15G	Sac à mailles grossières – Gris Collier – (en option – non illustré)	1
18	360002	Sac à mailles fines – Blocage mécanique	1
18	360009	Sac à mailles fines – Gris – Blocage mécanique	1
18	G-L-EU16	Sac à mailles fines – Fixation par bande Velcro	1
18	EU16G	Sac à mailles fines – Fixation par bande Velcro – Gris	1
19	G-L-EU9	Vanne de déchets	1
20	G-L-EU7	Joint torique pour l'axe d'alimentation	1
21	G-L-E18	Joint torique pour jet de pression	1
22	G-L-EC130	Jet	1
23	G-L-EC135	Jet – Plaque	1
23	LLC135G	Jet – Plaque – Gris	1
24	G-L-EC65	Essieu – Grandes roues	4
25	G-L-EC70	Plaque d'essieu	4
26	370258Z	Vis de l'essieu avec rondelle de blocage	8
27	360006	Roue sans roulements	4
28	G-L-EC60	Roulements de roue – Uniquement	8
29	G-L-EC55	Vis de roue – Plastique	4
29	LLC55PM	Vis de roue – Plastique – Gris	4
30	G-L-E10	Vanne de contre-courant	1
30	LL10PM	Vanne de contre-courant – Gris	1
31	360007	Roue – Pneu en caoutchouc	4
31	360012	Roue – Pneu en caoutchouc – Gris	4
32	G-L-EB15	Bride de fixation du tuyau	5
33	G-L-EC40	Vis	7
34	360005	Bouchon du moyeu	4
34	360013	Bouchon du moyeu – Gris	4

# LEGEND® – PIÈCES DE RECHANGE

N° de l'article	Réf. de pièce	Description	Qté
35	G-L-LD50	Tuyau d'alimentation – souple 3 m	1
35	LLD50PM	Tuyau d'alimentation – Gris souple 3 m	1
36	G-L-ED10P	Flotteur – tuyau d'alimentation	10
36	LLD10PM	Flotteur – tuyau d'alimentation – Gris	10
37	G-L-LD45	Tuyau d'alimentation – Blanc – 3 m	2
37	LLD45PM	Tuyau d'alimentation – Gris – 3 m	2
38	G-L-ED05	Joint articulé – Tuyau d'alimentation	2
38	LLD05PM	Joint articulé – Tuyau d'alimentation – Gris	2
39	G-L-LLU1	Tuyau adaptateur – Blanc – 22 cm	1
39	LLU1PM	Tuyau adaptateur – Gris – 22 cm	1
40	G-L-ED15	Écrou – Plastique – tuyau d'alimentation	8
40	LLD15PM	Écrou – Plastique – tuyau d'alimentation – Gris	8
41	G-L-EW22	Installation murale	1
41	LLW22PM	Installation murale – Gris	1
41	E25	Soupape de décharge – Blanc	1
41	LL25PM	Soupape de décharge – Gris	1
42	G-L-E24	Crépine – Fixation murale	1
43	G-L-E23	Adaptateur à déconnexion rapide	1
43	LL23PM	Adaptateur à déconnexion rapide – Gris	1
44	G-L-EC64	Roue – Rondelle en plastique	4
–	G-L-EH09C	Poids pour tuyau de balayage (en option - non illustré)	1
46	G-L-EG15	Roulements pour vanne de contre-courant	1
47	G-L-EC131	Kit de réparation de jet – comprend : G-L-EC130/-EC135/-E18	1
47	360014	Kit de réparation de jet – comprend : G-L-EC130/-E19 – LLC135	1
48	G-L-EA30	Vis pour G-L-EA40/-EC110	5
49	370017	Tuyau de balayage – Grattoir	1
50	G-L-EU147	Colonnettes de tuyau à vide à emboîtement	2
50	LLU147G	Colonnettes de tuyau à vide à emboîtement – Gris	2
51	G-L-EU79	Écrou et boulon – axe au tuyau à vide	1
52	G-L-LLU8	Jets Venturi	2
52	LLU8G	Jets Venturi – Gris	2
53	G-L-EU80	Vis - Couvreclé supérieur et inférieur	4
54	360008	Clip de tuyau pour 360002	1
54	360015	Clip de tuyau pour 360009 – Gris	1



# LEGEND® – PIÈCES ILLUSTRÉES



## Servicio al cliente

Si tiene alguna duda sobre cómo realizar pedidos de piezas de recambio y productos para piscinas Pentair Water Pool and Spa ("Pentair"), utilice la siguiente información de contacto:

**Servicio al cliente/Asistencia técnica – EE. UU.** (de 8 A.M. a 4:30 P.M. - Horario de la Costa Este y del Pacífico)

Teléfono: (800) 831-7133

Fax: (800) 284-4151

**HERENTALS, BELGICA** – (8:30 a 16:30 — CET)

Teléfono: + 32 (0) 14 25 99 11

### Sitio web:

Visite [www.pentairpool.com](http://www.pentairpool.com) / [www.staritepool.com](http://www.staritepool.com) / [www.pentairpooleurope.com](http://www.pentairpooleurope.com)  
para saber más sobre los productos Pentair

### Declaración de conformidad

Declaramos, bajo nuestra única responsabilidad, que el producto identificado en esta declaración, y al cual se refiere la misma, está conforme con los requisitos de protección de la Directiva del Consejo 98/37/CEE



Fabricante: Pentair Water Pool and Spa, Inc.

© 2011 Pentair Water Pool and Spa, Inc. Todos los derechos reservados.

Este documento está sujeto a cambios sin previo aviso.

1620 Hawkins Ave., Sanford, NC 27330 – EE. UU. • (800) 831-7133 • (919) 566-8000

10951 West Los Angeles Ave., Moorpark, CA 93021 – EE. UU. • (800) 831-7133 • (805) 553-5000

**Pentair Water Belgium bvba** • Industriepark Wolfstee • Toekomstlaan 30 • B-2200 Herentals – Bélgica  
+32 (0) 14.25.99.11

**Marcas comerciales y cláusulas de exención de responsabilidad:** Kreepy Krauly®, Legend® y Pentair Water Pool and Spa® son marcas comerciales y/o marcas comerciales registradas de Pentair Water Pool and Spa, Inc. y/o sus empresas filiales. A menos que se señale, los nombres y marcas de otros que puedan utilizarse en este documento no se emplean para indicar una asociación o respaldo entre los propietarios de estos nombres y marcas y Pentair Water Pool and Spa, Inc. Esos nombres y marcas pueden ser las marcas comerciales de esas partes u otros.

# INSTRUCCIONES IMPORTANTES DE SEGURIDAD Y ADVERTENCIA



## Nota importante:

**Atención Instalador:** Esta guía contiene información importante sobre la instalación, el funcionamiento y el uso seguro de este producto. Esta información debe ser entregada al propietario y/o al operador de este equipo después de la instalación del limpiador de piscina.

**Atención Usuario:** Este manual contiene información importante que le ayudará a utilizar y mantener este limpiador de piscina. Por favor guárdelo para consultarlo en el futuro. Consulte a Pentair Pool and Spa (“Pentair”) si tiene alguna pregunta sobre este equipo.



**ADVERTENCIA** — Antes de instalar este producto, lea y siga todas las advertencias e instrucciones incluidas. De no cumplirse con estas instrucciones y advertencias de seguridad, se pueden ocasionar lesiones graves, muertes o daños a la propiedad. Llame al (800) 831-7133 para obtener copias adicionales de estas instrucciones sin costo.

## Información de seguridad y para el cliente

Los limpiadores de piscina Pentair están diseñados y fabricados para ofrecer un servicio seguro y confiable durante muchos años si se instalan, operan y mantienen de acuerdo con la información de este manual. A lo largo del manual, encontrará las advertencias de seguridad y las precauciones identificadas con el símbolo “”. Asegúrese de leer y cumplir con todas las advertencias y precauciones.



**ADVERTENCIA** — **Succión peligrosa.** No juegue con el limpiador o la manguera ni los aplique sobre el cuerpo, ya que pueden atrapar y desgarrar partes del cuerpo o cabello. Los nadadores se pueden golpear o enredar con la manguera y podrían ahogarse.



**ADVERTENCIA** — **Trampa de succión, lesiones y riesgo de ahogamiento.** Si su piscina tiene un puerto de succión dedicado (“puerto vac”) para aspirar o para un limpiador de piscina automático, deberá **cubrirlo cuando no esté en uso**. Junto con su limpiador se proporciona una cubierta de seguridad accionada por resorte (un “accesorio de puerto vac”). Instálela en el puerto de succión para evitar que las personas se lesionen y queden atrapadas. Si la cubierta provista no es del tamaño adecuado, compre una apropiada en su tienda local e instálela. La cubierta debe cumplir con la norma SPS4-99A de la Asociación Internacional de Oficiales de Plomería y Mecánica (IAPMO).



**ADVERTENCIA** — **Detenga la bomba** antes de limpiar la unidad. No permita que haya nadadores en la piscina mientras el limpiador de piscina está en funcionamiento.



**ADVERTENCIA** — Para reducir el riesgo de lesiones, no deje que los niños usen el limpiador de piscina o que jueguen con él.



**ADVERTENCIA** — No permita que haya nadadores en la piscina mientras el limpiador de piscina está en funcionamiento. Los nadadores se pueden golpear o enredar con la manguera y podrían ahogarse.



**PRECAUCIÓN** — El oscilador puede dañar las manos o dedos. **Detenga la bomba** antes de tratar de limpiar el cabezal del limpiador de piscina.



# EXENCIÓN DE RESPONSABILIDAD

## **Aviso importante sobre su piscina y el limpiador Legend®:**

Hay múltiples factores que afectan a la vida útil de su piscina. El limpiador de piscinas automático Legend® es un producto muy pasivo que no tendrá impacto en la vida útil de su piscina.

Debe saber que, a lo largo del tiempo, pueden aparecer deterioros, decoloración y pérdida de brillo en cualquier tipo de piscina, debido a la acción conjunta o por separado de factores como el tiempo, desequilibrios químicos en el agua de la piscina o instalaciones defectuosas. Un limpiador de piscinas automático, como el Legend®, no eliminará ni desgastará un cemento de piscinas bien instalado. De hecho, ocurrirá más bien lo contrario: el cemento de piscinas provocará desgaste en el limpiador.

Lo mismo puede decirse de las piscinas excavadas con recubrimiento de vinilo, ya que este material también se ve afectado por el entorno y factores como la química del agua, la luz solar y otros elementos cercanos a la piscina.

Por tanto, con el tiempo, el vinilo puede volverse débil y quebradizo. Además, las piscinas con recubrimiento de vinilo se ven afectadas por la ejecución, la composición y la instalación del material, así como la ejecución y calidad constructiva de las paredes y el fondo de la piscina. Todos estos factores pueden contribuir a roturas del material. La existencia de cualquiera de estos problemas en su piscina no es consecuencia del uso o el funcionamiento del limpiador Legend®.

## **Lista de comprobaciones previas a la instalación**

Antes de instalar el limpiador, lea detenidamente todas las advertencias y la información de seguridad de esta guía. En caso de no cumplirse estas instrucciones o de una instalación incorrecta del limpiador, podrían provocarse daños en el acabado de la piscina o el recubrimiento de vinilo, por lo que Pentair Water Pool and Spa, Inc. declina toda responsabilidad por reparaciones o sustitución de cualquiera de estas estructuras o componentes en la piscina del cliente.

### **Antes de instalar el limpiador en una piscina de vinilo:**

Antes de instalar el limpiador de piscinas, examine cuidadosamente el interior de la piscina. Busque con atención cualquier signo de deterioro o daños provocados por el tiempo, productos químicos, daños en las paredes, etc. Si encuentra algún daño, haga que un profesional cualificado lo repare adecuadamente. Además, si el vinilo está quebradizo o tiene rocas, arrugas, raíces o corrosión por metales en contacto con la cara inferior del recubrimiento, o existen daños en los muros o la base de obra, no instale el limpiador hasta que un personal cualificado realice las reparaciones necesarias.

### **Antes de instalar el limpiador en una piscina de hormigón gunitado, baldosa o azulejo:**

Antes de instalar el limpiador en una piscina de hormigón gunitado, baldosa o azulejo, compruebe que no haya piezas sueltas y que la iluminación esté bien instalada. No instale el limpiador hasta que un profesional cualificado haya realizado las reparaciones necesarias.

### **Antes de instalar el limpiador, limpie el filtro de la depuradora:**

Asegúrese de limpiar el filtro, incluido el lavado a contracorriente, el enjuague y el vaciado de todas las cestas. Es necesario que el sistema esté limpio para un funcionamiento y cobertura de limpieza correctos.

### **Antes de instalar el limpiador, llene de agua la manguera:**

Asegúrese siempre de que el cabezal de limpieza esté sumergido y que la manguera esté llena de agua antes de conectarla al sistema de filtración (ya sea mediante un skimmer o una boca de aspiración independiente). La entrada de aire en el sistema puede dañar la bomba, debido al funcionamiento en seco y posterior recalentamiento.

### **Antes de instalar el limpiador, sepa dónde va a realizarse la limpieza:**

El limpiador está diseñado para retirar los residuos sólidos de su piscina en un tiempo de 4 a 6 horas. Podría ser necesario menos tiempo, dependiendo de las dimensiones de la piscina. El limpiador no está diseñado para limpiar automáticamente escalones o rampas de salida, ni para funcionar con un toldo cubriendo la piscina. Tampoco se ha diseñado para la limpieza inicial de una piscina recién instalada, o cuando se acaba de abrir la piscina al comienzo de la época estival.

### **DESPUÉS de instalar el limpiador, compruebe que funciona correctamente:**

El limpiador puede requerir pequeños ajustes para garantizar su correcto funcionamiento y la ausencia de daños en el acabado de la piscina. Ciertos tipos de vinilo son muy sensibles al desgaste en la superficie, y pueden sufrir borrados del estampado, decoloración de las tintas o ralladuras graves causadas por los objetos que entren en contacto con el vinilo, incluidos los limpiadores automáticos. Pentair Water Pool and Spa, Inc. declina toda responsabilidad por borrado de dibujos, abrasiones o marcas en superficies de vinilo.



## LL505G LL505GG

### Información importante:

El limpiador automático de piscinas Legend® viene listo para su conexión a una toma estriada de 38 mm, dedicada a nuestra bomba universal. Además, si usted dispone de un dosificador de cloro, sistema solar u otro equipo de inducción de aire, póngase en contacto con nuestro Departamento de Asistencia Técnica – teléfono 1-800-831-7133 [USA] o {Herentals – Belgium +32 (0) 14.25.99.11}, antes de instalar su Legend®. (Vea esquema en la página 48.)

### ***A continuación se exponen puntos importantes a recordar antes de instalar y poner en funcionamiento el Legend®.***

1. Desconecte siempre el Legend® de la pared de la piscina cuando limpie o lave a contracorriente el filtro de la piscina.
2. Después de limpiar o lavar a contracorriente, deje que el sistema de filtrado funcione durante al menos cinco minutos antes de volver a conectar el Legend®.
3. Las tuberías nuevas deben limpiarse con agua antes de instalar el Legend®.
4. El Legend® no debe utilizarse para eliminar polvo de yeso en piscinas nuevas.
5. Retire siempre el Legend® antes de que entren personas en la piscina.
6. Manipule siempre el Legend® con cuidado. No permita que los niños o las mascotas jueguen con la unidad: no es un juguete.
7. Coja siempre el Legend® por el asa, especialmente cuando saque la unidad del agua.
8. A menos que se estén comprobando las RPM de la rueda, no manipule el Legend® mientras esté en funcionamiento.
9. Retire siempre el Legend® de la piscina antes de los tratamientos de choque químico. Como norma general, cualquier agua de piscina que no sea segura para nadar, no es segura para el Legend®.
10. Corte con cuidado la manguera de llenado siguiendo las instrucciones en la página 49.

### ***Siguiendo estas simples directrices, puede ayudar a evitar lesiones y prolongar la vida de su Legend®.***

Antes de instalar el Legend®, anote su número de serie. Este número se encuentra en la tarjeta de garantía y en la parte posterior del Legend®, junto al surtidor de la parte posterior. Cuando se ponga en contacto con nuestro Departamento de Asistencia Técnica, le preguntarán el número de serie.

Nº de serie: \_\_\_\_\_

# INDICE DE MATERIAS

Precauciones de Seguridad Importantes .....	43
Exención de Responsabilidad .....	44
Información Importante .....	45
<b>I. Introducción .....</b>	<b>47</b>
A. Gracias por haber escogido Legend® .....	47
B. Qué esperar del Legend® .....	47
<b>II. Instrucciones de instalación .....</b>	<b>48</b>
A. Componentes del Legend® .....	48
B. Conexiones de la piscina .....	48
C. Instalación de la bomba cebadora .....	48
D. Instalación de la válvula de seguridad de cierre por torsión (accesorio de pared) .....	49
E. Corte de la manguera de llenado .....	49
F. Comprobación del funcionamiento .....	53
G. Puesta a punto del Legend® .....	53
1. Ajuste de la boquilla de presión .....	53
2. Ajuste de la manguera de barrido .....	53
3. Comprobación de las RPM de la rueda .....	54
<b>III. Funcionamiento/mantenimiento periódico .....</b>	<b>54</b>
A. Conexión/desconexión del Legend® .....	54
B. Encendido/apagado del Legend® .....	54
C. Limpieza de la bolsa de arena y sedimentos .....	55
D. Mantenimiento periódico .....	55
1. Malla del accesorio de pared .....	55
2. Neumáticos y cojinetes .....	56
3. Coronas de rodadura .....	56
4. Bolsas de desechos .....	56
5. Manguera de barrido .....	56
6. Válvula de desechos .....	56
E. Lavado a contracorriente del filtro de la piscina .....	56
F. Almacenamiento y acondicionamiento para el invierno .....	56
G. Accesorios .....	57
1. Pesa de la manga de barrido .....	57
2. Bolsa para hojas .....	57
3. Ruedas de la ventosa de succión .....	57
<b>IV. Consejos de funcionamiento y resolución de problemas .....</b>	<b>58</b>
Piezas de recambio de Legend® .....	59
Piezas ilustradas de Legend® .....	61

# I. Introducción

## A. Gracias por haber escogido el limpiador de piscinas Legend®

Enhorabuena por haber comprado su nuevo limpiador de piscinas automático. Legend® está diseñado para funcionar durante años con fiabilidad y eficacia. Con Legend®, usted y su familia pasarán más tiempo relajándose y disfrutando de la piscina, y menos tiempo limpiándola.

Legend® ha sido diseñado y fabricado con la experiencia de años de fabricación y tecnologías, que le permiten disfrutar durante años de un limpiador de piscinas de alta fiabilidad. Legend® es fabricado por un equipo humano muy comprometido con el uso de materiales de última tecnología, y dispone de una garantía limitada que le protege en caso de defectos de piezas y fabricación.

Al igual que cualquier dispositivo mecánico, el Legend® requiere algo de mantenimiento preventivo y la sustitución de determinadas piezas sometidas a mucho trabajo. Le recomendamos que su Legend® sea revisado cada año. Para obtener los mejores resultados, haga que su Legend® lo instale un especialista en piscinas cualificado.

Para propietarios de piscinas con experiencia en fontanería y mecánica, en este manual se incluyen instrucciones de instalación.

**¡Lo primero es la seguridad!** Asegúrese de sacar su Legend® de la piscina y guardarlo a la sombra antes de que entre nadie en la piscina.

## B. Qué esperar del Legend®

Cuando esté funcionando correctamente, el Legend® se desplazará aleatoriamente por la piscina, aspirando y barriendo el fondo. La capacidad de escalada del Legend® depende de la forma de la piscina. Escalará mejor en piscinas sin ángulos cerrados ni curvas en la transición desde el suelo de la piscina hasta la pared.

El Legend® viene equipado con un accesorio de pared provisto de una válvula de seguridad automática de cierre por torsión. Si el Legend® está recibiendo demasiada presión del agua a la unidad, la válvula de seguridad puede ajustarse manualmente para reducir la presión del agua.

Aproximadamente cada tres minutos y 30 segundos, el Legend® entrará en un modo de reserva. En este momento, la válvula de reserva alejará el Legend® de su ubicación actual aumentando su patrón aleatorio.

La manguera de barrido funciona con un movimiento de barrido suave para evitar que los desechos queden atrapados en las esquinas de la piscina de difícil acceso.

## II. Instrucciones de instalación

### A. Componentes del Legend®

La caja del Legend® contiene:

1. Cabezal del limpiador
2. Bolsa de arena y sedimentos
3. Manguera de barrido (acoplada al cabezal del limpiador)
4. Manguera de llenado completa
  - a. 1 - Manguera de 22 cm
  - b. 2 - Mangueras de 3 m blancas (duras)
  - c. 1 - Manguera de 75 cm (blanda) /  
1 - Manguera de 2,3 m (blanda)
  - d. 10 - Flotadores
  - e. 3 - Uniones giratorias
  - f. 1 - Válvula de reserva
  - g. 10 - Tuercas de empalme
  - h. 1 - Accesorio de pared completo

### B. Conexiones de la piscina

El Legend® viene equipado para conectarse a una línea de 38 mm con rosca hembra, dedicada a nuestra bomba cebadora universal.

Además, si su piscina no dispone de una línea dedicada al limpiador, póngase en contacto con nuestro Departamento de Asistencia Técnica en el teléfono 1-800-831-7133 [EE. UU.] o {Herentals – Bélgica +32 (0) 14.25.99.11}.

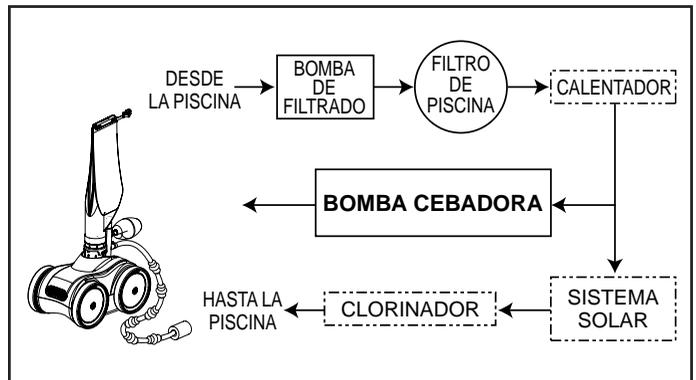
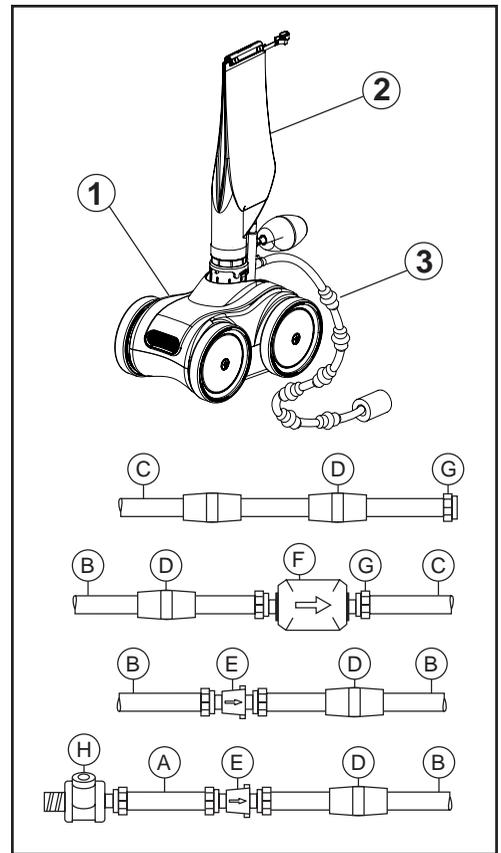
### C. Instalación de la bomba cebadora

Si ya tiene una bomba cebadora de 0,75 caballos instalada y está operativa, sátese esta sección y proceda a instalar la válvula de seguridad de cierre por torsión (acesorio de pared).

Las instrucciones de instalación detalladas de la bomba cebadora vienen embaladas por separado en nuestra caja de bomba cebadora.

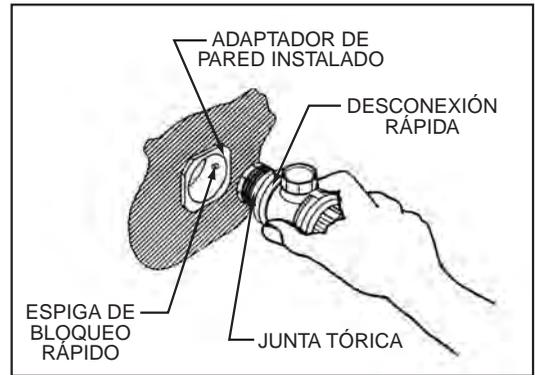
#### **Siga estas instrucciones paso a paso.**

La bomba cebadora no es autocebadora y necesita ser alimentada con agua tomada del filtro de la piscina antes de añadir ningún tipo de clorinador.



## D. Instalación de la válvula de seguridad de cierre por torsión (accesorio de pared)

1. Extraiga cualquier limpiador de piscina y/o accesorio de pared existente.
2. Active la bomba de filtrado y la bomba cebadora, lave con agua la tubería.
3. Apague la bomba de filtrado y la bomba cebadora.
4. Retire el adaptador de pared del accesorio de pared y atornille el adaptador de forma manual en la tubería designada para ello. Gire hasta que quede apretado.
5. Tome el accesorio de pared y gírelo 1/4 de vuelta para bloquearlo en el sentido de las agujas del reloj en el adaptador de pared y sáquelo; hasta que se ciña bien. Una vez el adaptador de pared esté fijo, ahora puede cerrar por torsión y desbloquear para extraer el accesorio de pared con facilidad desde el adaptador de pared.

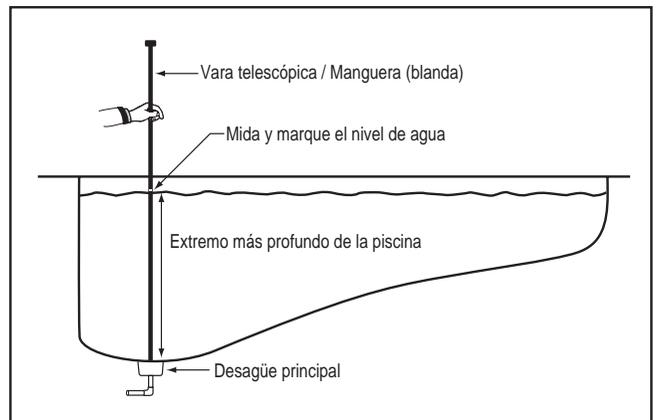


## E. Corte de la manguera de llenado (ver diagramas de mangueras en la [página 50](#))

El conjunto de manguera viene en 5 secciones que ahora cubren aproximadamente 9 m de la piscina, lo que proporciona manguera de sobra para la mayoría de las piscinas residenciales. La válvula de reserva está situada ahora a 75 cm del cabezal del limpiador y siempre debería permanecer a esta distancia. Si se trata de piscinas más grandes, vea #14 en la [página 52](#): instrucciones para añadir una manguera de llenado adicional.

1. Extraiga la manguera de llenado de la caja (tendrá una longitud aproximada de 9 metros). Antes de instalar la unidad, siempre debería extender la manguera de llenado directamente al sol (durante un día, si es posible). La manguera se ha enrollado en la caja y en ocasiones hará giros en círculo. Si esto ocurre, tome la primera o segunda sección de la manguera de la pared e inviértala (déle la vuelta). Es posible que tenga que darle la vuelta a ambas secciones para corregir el problema. Asegúrese de que la manguera de llenado se corta y se instala adecuadamente.
2. Mida la profundidad de su piscina usando su vara telescópica o el extremo transparente de la manguera de llenado. Corte la manguera (blanda) para que su longitud sea igual a la profundidad de su piscina. (Consejo: la rejilla o desagüe principal abovedado del fondo normalmente es el punto más profundo.)

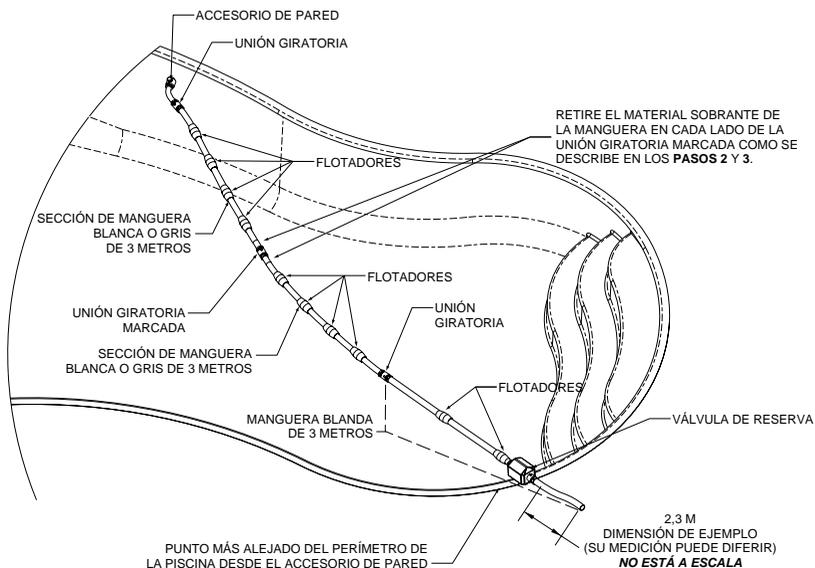
*Ejemplo:* La manguera (blanda) tiene 3 m de longitud, si la piscina tiene 2,5 m de profundidad, corte 0,5 m de la manguera (blanda). Si la profundidad es de más de 3 m, no corte la manguera (blanda).



## EJEMPLO DE CONJUNTO DE MANGUERA ANTES DE CORTAR

### PASOS

1. Con la manguera de llenado conectada a la pared de la piscina, sostenga el conjunto de la manguera de llenado por el extremo transparente y camine por el perímetro de la piscina para localizar el punto más alejado en el perímetro desde el accesorio de pared, sin estirar la manguera.
2. Mida la distancia a la que la manguera se prolonga más allá del punto más alejado del perímetro de la piscina localizado en el **Paso 1** — (2,3 m en este ejemplo).
3. Corte la longitud obtenida en el **Paso 2** — (1 m en este ejemplo), por igual desde cada una de las longitudes de 3 metros de manguera blanca o gris en cada lado de la unión giratoria marcada.



## EJEMPLO DE CONJUNTO DE MANGUERA ACABADO DESPUÉS DE CORTAR

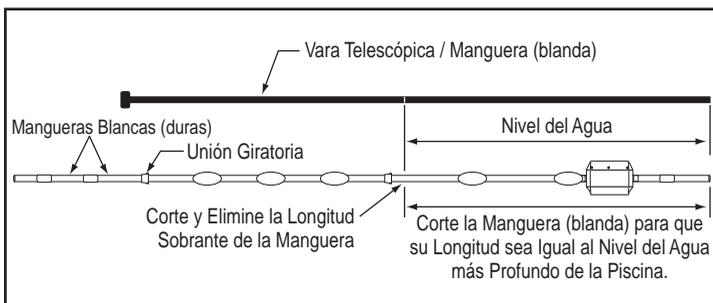
### PASOS

4. Vuelva a montar las mangueras usando las tuercas de empalme suministradas como se muestra en la **FIGURA 1**.
5. Su conjunto de manguera acabado y completo debería parecerse a éste. El extremo de la manguera de 75 cm debería llegar justo al borde más alejado del perímetro de la piscina, como se indica.



## E. Corte de la manguera de llenado - (cont.)

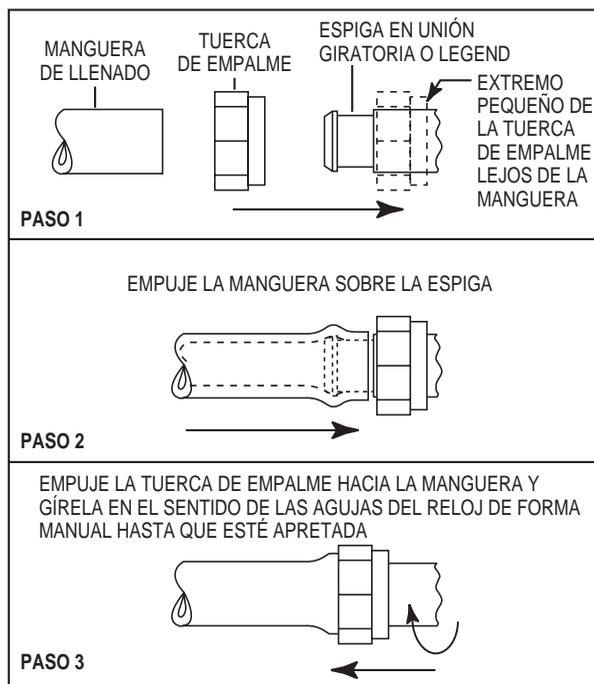
3. Extienda la vara telescópica al lado de la manguera (blanda). Si la manguera (blanda) es más larga que la marca de la vara telescópica, corte la parte sobrante del extremo acoplado a la manguera blanca (dura). No corte el flotador. Deje el primer flotador en posición al lado de la válvula de reserva. Coloque el segundo flotador a medio camino entre el primer flotador y la unión giratoria de la manguera.



4. Conecte la manguera de llenado al accesorio de pared y acople el accesorio a la pared de la piscina. Sostenga el extremo de la manguera (blanda) y camine por el perímetro de la piscina manteniendo recta la manguera (no la estire) para encontrar el punto más alejado de la piscina desde el accesorio de pared.
5. Mida la longitud sobrante entre el punto más alejado de la piscina desde el accesorio de pared y el extremo de la manguera (blanda) de 75 cm.
6. La mitad de esta longitud medida se **cortará por igual desde las mangueras blancas (duras) de 3 m al lado de la unión giratoria marcada**. (Ejemplo: mitad de 180 cm = 90 cm cada una). Si está cortando más de 60 cm de las mangueras, retire los flotadores al lado de la unión giratoria marcada de ambas mangueras. Vea los diagramas en la página 50.

7. Vuelva a montar las mangueras y la unión giratoria usando las tuercas de empalme. Primero ponga la tuerca en las uniones giratorias, después empuje la manguera sobre la unión giratoria, gire la tuerca sobre la manguera en el sentido de las agujas del reloj hasta que esté apretada.

*Nota: Mantenga todos los flotadores posibles sobre las mangueras de llenado blancas con una separación uniforme para mantener la manguera por encima del agua.*



## E. Corte de la manguera de llenado - (cont.)

8. Cuando corte mangueras, use unas tijeras fuertes o un cuchillo afilado. Asegúrese de apartar los flotadores cuando corte la manguera.
9. Ponga una tuerca de empalme extra en el mástil del Legend® y empuje suavemente la manguera (blanda) sobre el mástil a 1/2 pulgada, apriete la tuerca de empalme alrededor de la manguera (blanda).

**Nota:** La válvula de reserva aún debería estar a 30 pulgadas del cabezal del limpiador.

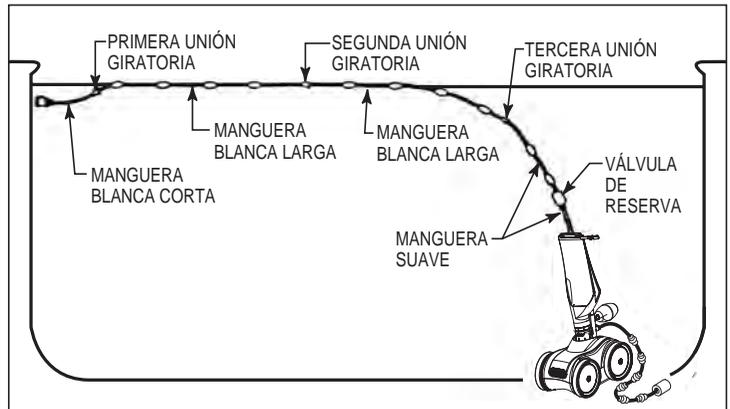
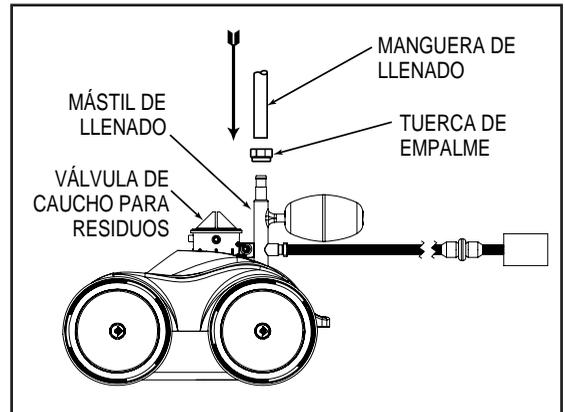
10. A continuación, 360002/360009, extraiga la bolsa de la caja y encájela girando con firmeza la bolsa en la parte superior del cuello del Legend® sobre la válvula de desechos de caucho.
11. Revise y compruebe la lista: Mangueras blancas y blandas adecuadamente cortadas y flotadores con una separación uniforme.

tuercas de empalme apretadas alrededor de las placas giratorias, válvula de reserva, mástil del Legend® y accesorio de pared. Asegúrese de que el accesorio de pared está bien bloqueado en su lugar.

12. Baje el conjunto del Legend® completo a la piscina con cuidado. Debería ser como en la figura.

13. Vuelva a su equipo y active primero la bomba de filtrado (espere 30 segundos para que el aire salga de la manguera), a continuación active la bomba cebadora.

14. Para añadir más manguera de llenado para piscinas más grandes que necesiten más longitud de manguera, tendrá que comprar una (1) manguera adicional (G-L-LD45/LLD45PM), cuatro (4) flotadores (G-L-ED10P/LLD10PM), una (1) unión giratoria (G-L-ED05/LLD05PM) y dos (2) tuercas de empalme (G-L-ED15/LLD15PM). Conecte una manguera blanca (dura) extra entre la manguera transparente (blanda) y la manguera blanca (dura) existente, usando flotadores, la unión giratoria y tuercas de empalme. Divida la parte sobrante de manguera blanca (dura) en tres (3) esta vez para mantener la misma longitud en todas las mangueras blancas.



## F. Comprobación del funcionamiento

Cuando esté funcionando correctamente, el Legend® seguirá un patrón aleatorio de desplazamiento por la piscina, aspirando y barriendo el fondo. La capacidad de escalada del Legend® depende de la estructura de la piscina y del flujo de agua que entre en la piscina. Funcionará con más eficiencia en piscinas sin ángulos cerrados ni curvas en la transición del suelo de la piscina a la pared.

El Legend® viene con una válvula de seguridad de cierre por torsión (accesorio de pared). Si el Legend® está recibiendo demasiada presión de agua, la válvula de seguridad del accesorio de pared liberará la presión de agua excesiva.

Aproximadamente cada tres minutos y 30 segundos, el Legend® entrará en un modo de reserva. El tiempo de ciclo de la válvula de reserva, mientras esté en modo de reserva, es de aproximadamente 30 segundos, alejando el Legend® desde su ubicación actual aumentando su patrón aleatorio.

### Nueva información sobre la válvula de reserva:

La inserción de la válvula de reserva que se introduce en la ranura sobre la boquilla de la válvula. Está fijada con un tornillo de acero inoxidable, como se muestra en el diagrama. La inserción se ajustará en fábrica con el orificio mayor (3/8 pulgadas) sobre la abertura de la boquilla. El orificio mayor se emplea para el limpiador Legend®. Si cambia la inserción al orificio inferior (1/4 pulgadas), la válvula de reserva tendrá una mayor presión en la boquilla y posiblemente enrede su manguera.

La manguera de barrido funciona con un suave movimiento de barrido para evitar que los desechos queden atrapados en las esquinas de la piscina de difícil acceso.

Si el Legend® no se desplaza por todas las zonas de la piscina, apague la bomba cebadora y la bomba de filtrado de la piscina y haga los ajustes necesarios a partir de las instrucciones de la siguiente sección.



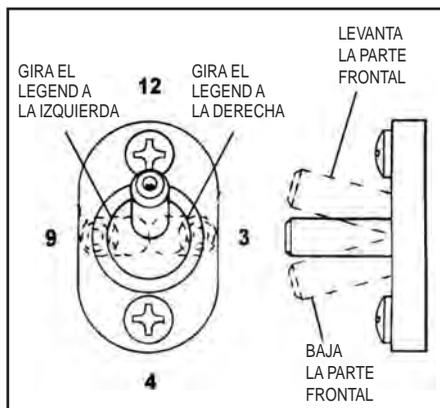
## G. Puesta a punto del Legend®

### 1. Ajuste de la boquilla de presión

Hay una boquilla de presión ubicada en la parte trasera del Legend®. Esta boquilla de presión modifica la dirección del limpiador. La posición estándar de fábrica para la boquilla se ajusta en el medio y recta. (Vea la Figura.)

### 2. Ajuste de la manguera de barrido

La manguera de barrido funciona con un suave movimiento de barrido. Para aumentar o reducir el movimiento de la manguera de barrido, ajuste el tornillo que se encuentra en la espiga del mástil de llenado, debajo del flotador de balasto. Al girar el tornillo en el sentido de las agujas del reloj disminuirá el movimiento, y en sentido contrario a las agujas del reloj aumentará el movimiento de la manguera de barrido.



## **G. Puesta a punto del Legend® - (cont.)**

### **3. Comprobación de las RPM de la rueda**

Para determinar si el Legend® está recibiendo la presión de agua adecuada, apague la bomba de la piscina, y retire con cuidado el Legend® de la piscina.

Marque el neumático/la rueda de tracción frontal con un marcador, o utilice el logotipo de Pentair ubicado en el lateral del neumático como marcador para contar las rotaciones de la rueda por minuto.

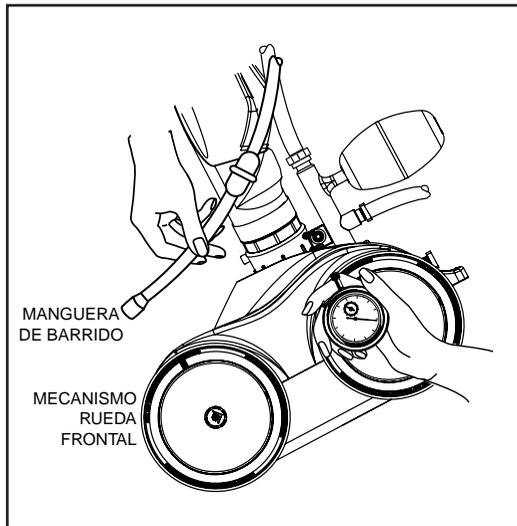
Haga que alguien active la bomba de la piscina y la bomba cebadora mientras coloca el Legend® en la piscina justo por debajo de la superficie del agua. (asegúrese de agarrar la manguera de barrido para evitar mojarse).

Cuente las rotaciones de la rueda marcada durante exactamente un minuto. (asegúrese de que la válvula de reserva no está funcionando en ciclos en ese momento). Las rotaciones le darán las revoluciones por minuto, (RPM).

Para conseguir un funcionamiento adecuado, el Legend® funciona entre 28-32 RPM. Si las RPM son inferiores a 28, deberá llamar a su especialista local en piscinas más cercano o póngase en contacto con nuestro Departamento de Asistencia Técnica en el teléfono 1-800-831-7133 [USA] o {Herentals – Bélgica +32 (0) 14.25.99.11}.

Si las RPM son superiores a 32, en el accesorio de pared, desatornille lentamente la válvula de seguridad hasta que las RPM se encuentren entre 28-32.

**Si tiene cualquier otra duda, póngase en contacto con Pentair Water Pool and Spa, Inc., Departamento de Asistencia Técnica en el teléfono 1-800-831-7133 [USA] o {Herentals – Bélgica +32 (0) 14.25.99.11}, de lunes a viernes.**



## **III. Funcionamiento/mantenimiento periódico**

### **A. Conexión/desconexión del Legend®**

Apague la bomba cebadora y la bomba de la piscina. A continuación, tome el accesorio de pared y bloquéelo girando en el sentido de las agujas del reloj e insertándolo en el adaptador de pared. Para desconectar el Legend®, desbloquee y gire en sentido contrario a las agujas del reloj. El adaptador de pared debería permanecer en la pared de la piscina.

### **B. Encendido/apagado del Legend®**

El Legend® desactiva la bomba cebadora que proviene de la plataforma del equipo, y puede encenderse o apagarse simplemente encendiendo/apagando el reloj de su bomba cebadora.

## C. Limpieza de la bolsa de arena y sedimentos

Desbloquee con cuidado la bolsa de desechos del tubo de vacío. Utilice el pulgar para empujar el cierre de bloqueo rápido con forma de "U" hacia arriba hasta que se abra rápidamente. Asegúrese de girarlo hacia fuera de la abertura. Abra la bolsa y elimine los desechos.

Para cerrar, empuje el centro de la bolsa hacia dentro, como se muestra, y una los bordes para que queden como un acordeón. Gire el cierre de bloqueo rápido con forma de "U" de nuevo a la posición de cierre.

Empuje suavemente encima del cierre de bloqueo rápido con forma de "U" para asegurarse de que se desengancha en su lugar. Vuelva a acoplar la abrazadera a la manguera de llenado.

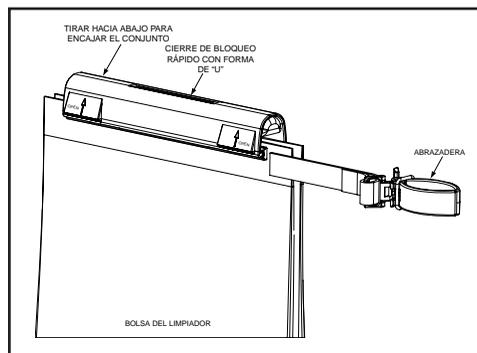
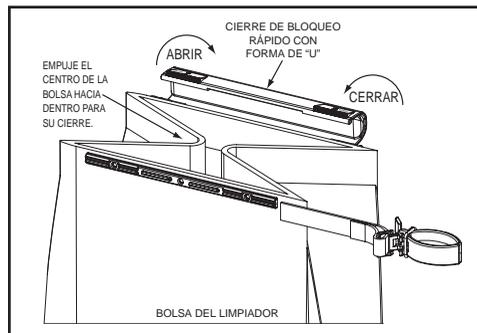
Su bolsa de desechos está lista para ser reinstalada en su limpiador.

Si tiene muchos desechos en su piscina, especialmente después de una tormenta, puede utilizar su Legend® en dos ciclos más cortos al día y vaciar la bolsa de desechos entre ciclos.

Vuelva a conectar la bolsa de desechos al tubo de vacío. **NO** la vuelque.

**Un consejo útil:** Es más fácil vaciar la bolsa de desechos cuando está seca. Puede utilizarse una segunda bolsa mientras se esté secando la bolsa de desechos llena.

Lo mejor es vaciar la bolsa de desechos cuando esté medio llena. El Legend® tendrá un mejor funcionamiento si la bolsa no está sobrecargada.



## D. Mantenimiento periódico

Las siguientes piezas son elementos de desgaste que deben revisarse, sustituirse o someterse a labores de mantenimiento según sea necesario. Se considera elemento de desgaste cualquier pieza en funcionamiento o en movimiento que se esté desgastando debido al uso del limpiador.

**La garantía no cubre los elementos de desgaste.**

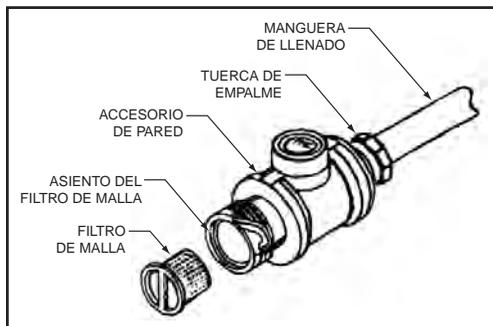
### 1. Malla del accesorio de pared

Inside the wall fitting is a filter screen that acts as a Dentro del accesorio de pared hay un filtro de malla que actúa como filtro secundario. Esta malla sirve para retener los desechos que pasan por el filtro de la piscina fuera del Legend®. Si el limpiador funciona sin el filtro de malla, puede dañarse el Legend® y se anulará la garantía.

Una malla taponada o sucia de forma continua indica problemas en el sistema de filtrado de su piscina, y tendrá que ponerse en contacto con su especialista local en piscinas.

Para limpiar el filtro de malla, saque la malla de dentro del accesorio de pared y enjuáguelo a fondo, después vuelva a colocarlo dentro.

Siempre que esté limpiando, lavando a contracorriente o reparando el filtro, quite el accesorio de pared y limpie con agua el conducto en cuestión antes de usar el Legend®.



## III. Funcionamiento/mantenimiento periódico - (cont.)

### 2. Neumáticos y cojinetes

Los neumáticos están diseñados para proteger el fondo de su piscina y proporcionar una mejor tracción. Tendrá que alternar o sustituir los neumáticos cuando estén desgastados hasta la muesca de desgaste.

Se garantiza que los cojinetes de rueda no tendrán defecto alguno cuando sean enviados desde Pentair Water Pool and Spa, Inc., y se consideran un artículo de desgaste. Un buen cojinete girará con libertad.

### 3. Coronas de rodadura

Su manguera de barrido tiene una serie de coronas de rodadura para proteger la manguera de barrido. Sustituya las coronas según sea necesario. Puede girar las coronas de rodadura para evitar abolladuras.

### 4. Bolsas de desechos

#### *Bolsa de arena y sedimentos de malla fina*

El Legend® viene con una bolsa de arena y sedimentos para uso general en todas las piscinas. No recomendamos utilizar la bolsa de malla fina para recoger hojas y ramitas u otros desechos más grandes, pues tienen puntas y bordes afilados que pueden hacer agujeros y, con el tiempo, rasgar la bolsa.

#### *Bolsa para hojas opcional*

La bolsa para hojas es una bolsa de malla más grande para recoger desechos más pesados como hojas, ramitas, bellotas, etc. Esta bolsa puede ser útil especialmente después de una tormenta.

**Un consejo útil:** Para prolongar la vida de las bolsas, quite el limpiador de la piscina antes de añadir productos químicos.

### 5. Manguera de barrido

La manguera de barrido se proporciona para mantener limpios el fondo y los laterales de su piscina. Se garantiza que la manguera de barrido no tendrá defecto alguno cuando se envíe desde la fábrica, y se considera un elemento de desgaste.

### 6. Válvula de desechos

Esta válvula está situada debajo de la bolsa de desechos, diseñada para mantener los desechos dentro de la bolsa. Funciona como una válvula de retención que permite que los desechos entren en la bolsa sólo en una dirección. Es necesario sustituirla cuando la válvula comience a ponerse rígida.

## ***E. Lavado a contracorriente del filtro de la piscina***

Desconecte siempre el Legend® de la pared de la piscina antes de limpiar o lavar a contracorriente el filtro de la piscina. Después de limpiar o lavar a contracorriente, deje que el sistema de filtrado de la piscina funcione durante un mínimo de cinco minutos para enjuagar las canalizaciones de retorno antes de volver a conectar el Legend®.

## ***F. Almacenamiento y acondicionamiento para el invierno***

Nunca deje o almacene el Legend® expuesto a la luz directa del sol. Cuando guarde el Legend® para el invierno, asegúrese de drenar toda el agua de él. Esto es importante, ya que la garantía no cubre daños por congelación. Quite también el accesorio de pared.

## **G. Accesorios**

### **1. Pesa de la manga de barrido**

Si la manga de barrido tiende a ascender a la superficie, salpicando las ventanas cercanas o a las personas de alrededor, puede instalar una pesa en el extremo de la manga de barrido.

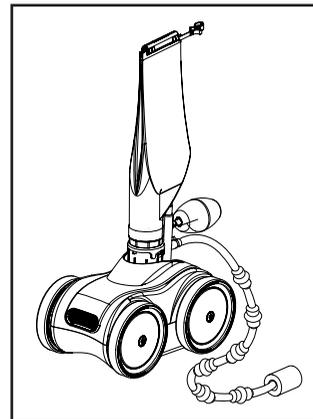
(El nº de pieza de la pesa de la manga es EH09C)

### **2. Bolsa para hojas**

(Ver página anterior)

### **3. Nuevas ruedas Legend® con ventosas de succión**

Diseñadas para escalar en áreas problemáticas, fibra de vidrio, azulejo y superficies muy lisas. Para otras aplicaciones, póngase en contacto con nuestro Departamento de Asistencia Técnica en el teléfono 1-800-831-7133 [EE. UU.] o {Herentals – Bélgica +32 (0) 14.25.99.11}.



El nº de pieza de las Ruedas con ventosas de succión es LC6LSA

## IV. CONSEJOS DE FUNCIONAMIENTO Y RESOLUCIÓN DE PROBLEMAS

*Para garantizar el mejor rendimiento de su limpiador, siga la guía de resolución de problemas que se incluye a continuación.*

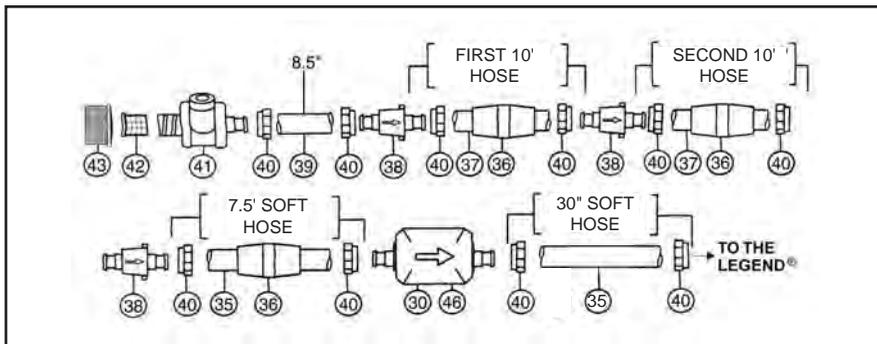
Problema	Solución
El Legend® no se mueve o se mueve lentamente o se queda colgado de los escalones.	<ol style="list-style-type: none"> <li>1. Asegúrese de que la bomba de filtrado y la bomba cebadora están encendidas y funcionan correctamente. (Es posible que tenga que limpiar el sistema de filtrado de la piscina).</li> <li>2. Compruebe si hay desechos en la malla del accesorio de pared y enjuáguela para limpiarla.</li> <li>3. Compruebe las RPM de la rueda. (Vea la página 54.)</li> <li>4. Determine si la válvula de reserva está funcionando en ciclos. (Mantenga la válvula fuera del agua, y la boquilla debería activarse durante aprox. 30 segundos y apagarse durante aprox. 3 minutos y 30 segundos).</li> <li>5. Compruebe si hay fugas que puedan causar la pérdida de presión de agua en todas las conexiones de mangueras y uniones giratorias.</li> <li>6. Compruebe si hay desechos atascados en los dientes de engranaje en una de las ruedas de tracción frontales. Gire suavemente las ruedas frontales hacia atrás para sacar los desechos.</li> </ol>
El Legend® se cae o se queda apoyado sobre su lateral.	<ol style="list-style-type: none"> <li>1. Normalmente esto indica que la bolsa tiene que vaciarse.</li> <li>2. Observe si hay fugas en el flotador de balasto comprobando si hay agua dentro. Desatornille tirando hacia atrás mientras gira en sentido contrario a las agujas del reloj. Cuando se apague, agítelo y escuche si hay agua en el flotador.</li> </ol>
El Legend® no da marcha atrás.	<ol style="list-style-type: none"> <li>1. Determine si la válvula de reserva está funcionando en ciclos. (Mantenga la válvula fuera del agua, y la boquilla debería activarse durante aprox. 30 segundos y apagarse durante aprox. 3 minutos y 30 segundos).</li> <li>2. Compruebe las RPM de la rueda. (Vea la página 54.)</li> <li>3. Vacíe la bolsa de desechos si está llena o medio llena.</li> </ol>
El Legend® no sube.	<ol style="list-style-type: none"> <li>1. Aunque en su piscina no se vean algas, tendrá que cepillar los laterales de la pared de la piscina.</li> <li>2. Compruebe las RPM de la rueda. (Vea la página 54.)</li> <li>3. Vuelva a colocar la boquilla de presión. Afloje los dos tornillos para ajustar la boquilla de presión. (Vea la página 53.)</li> </ol> <p><b>Recordatorio:</b> La capacidad de subida del Legend® depende de la forma de la piscina y de la presión del agua disponible. Subirá mejor en piscinas sin ángulos cerrados ni curvas en la transición desde el suelo de la piscina hasta la pared.</p>
Enredo de mangueras.	<ol style="list-style-type: none"> <li>1. Compruebe la longitud de la manguera de llenado, puede ser demasiado larga. (Vea páginas 49-52.)</li> <li>2. Compruebe si la manguera de llenado está flotando encima de la superficie. Compruebe si los flotadores de la manguera tienen una separación uniforme.</li> <li>3. Gire las uniones giratorias de la manguera para ver si giran libremente y sustituya las que no lo hagan.</li> <li>4. Extienda la manguera de llenado al sol.</li> </ol>
La manguera de barrido es aspirada por el limpiador.	<ol style="list-style-type: none"> <li>1. Ajuste la manguera de barrido usando el tornillo de ajuste situado en el fondo del mástil de la unión giratoria y justo por debajo de la boquilla de presión. Gire el tornillo de ajuste en el sentido de las agujas del reloj hasta que la manguera de barrido tenga un suave movimiento de barrido.</li> </ol>
La bomba cebadora hace mucho ruido.	<ol style="list-style-type: none"> <li>1. Asegúrese de que el accesorio de pared está montado en la pared de la piscina correctamente.</li> <li>2. Asegúrese de que el sistema de filtrado de la piscina está funcionando correctamente.</li> <li>3. Póngase en contacto con su especialista local en piscinas: posible problema de la bomba cebadora.</li> </ol>
La manguera de barrido rompe la superficie del agua y esparce agua por los alrededores.	<ol style="list-style-type: none"> <li>1. Ajuste la manguera de barrido para que tenga un suave movimiento de barrido.</li> <li>2. Añada peso de manguera de barrido opcional. (Vea la página 56.)</li> </ol>

# LEGEND® – PIEZAS DE RECAMBIO

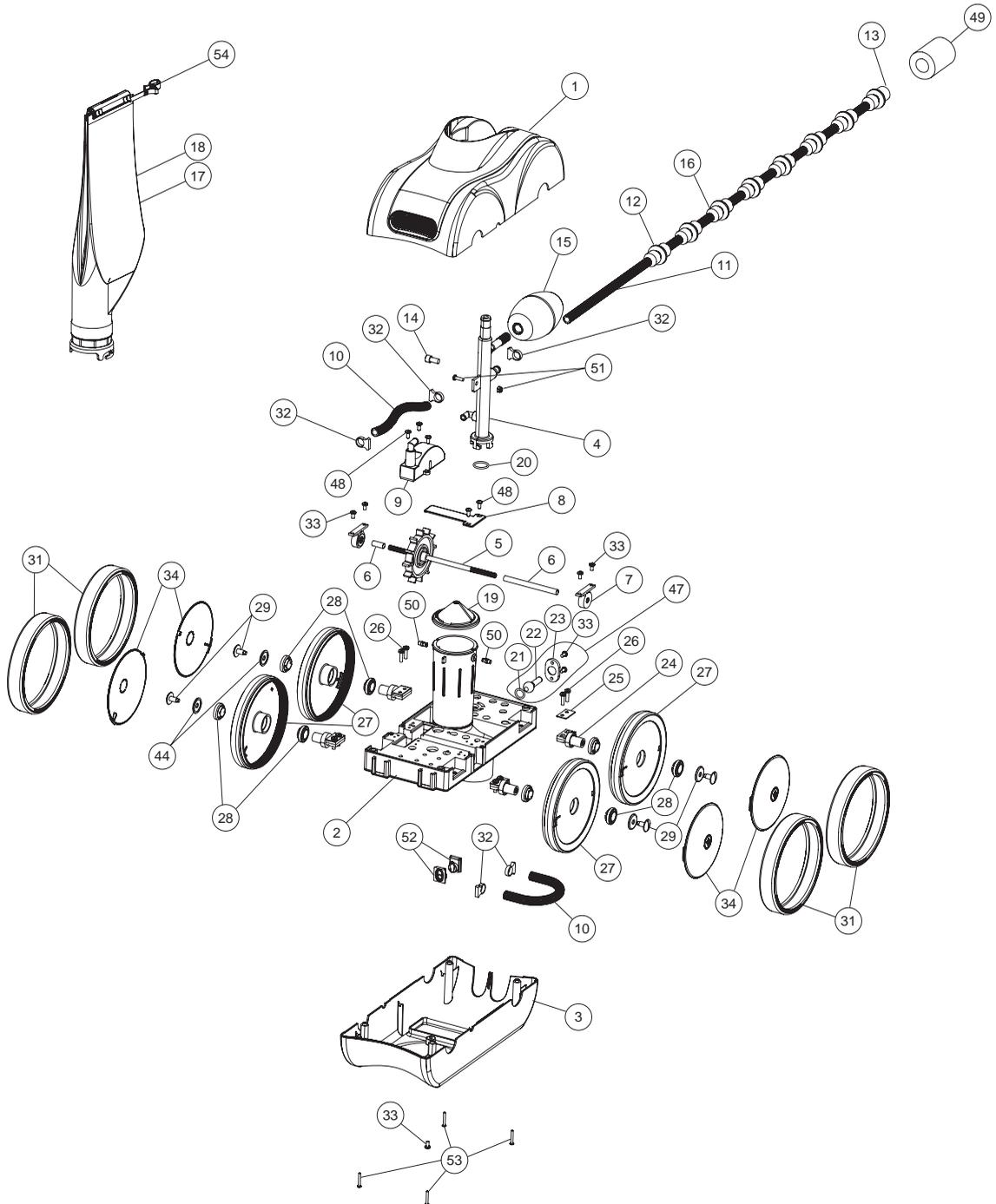
Nº artículo	Nº pieza	Descripción	Cant.
1	360003	Cubierta superior	1
2	LLU145N	Armazón principal	1
2	360010	Armazón principal – Gris	1
3	360004	Cubierta inferior	1
3	360011	Cubierta inferior – Gris	1
4	G-L-LLU6	Mástil de llenado sin junta tórica – Blanca	1
4	LLU6G	Mástil de llenado sin junta tórica – Gris	1
5	G-L-EC86	Árbol de transmisión de la turbina – completo	1
6	EC83	Espaciadores de turbina	2
7	G-L-EC80	Cojinetes de turbina	2
8	G-L-EA40	Pantalla del árbol de la turbina	1
9	G-L-EC110	Cubierta de turbina con codos	1
10	G-L-EC120	Manguera Venturi/turbina – 20 cm de longitud	2
10	LLC120G	Manguera Venturi/turbina – 20 cm de longitud – Gris	2
11	G-L-EB5L	Manguera de barrido – Completa	1
11	LLB5G	Manguera de barrido – Completa – Gris	1
12	G-L-EB10	Manguera de barrido – Anillo de desgaste	9
13	G-L-EB25	Manguera de barrido – Boquilla con manguito	1
13	LLB25PM	Manguera de barrido – Boquilla con manguito – Gris	1
14	370198	Tornillo de ajuste de la manguera de barrido	1
15	G-L-EA20	Flotador de balasto	1
15	LLA20G	Flotador de balasto – Gris	1
16	G-L-EH07	Manguera de barrido – Manguito de manguera	4
16	LLH07PM	Manguera de barrido – Manguito de manguera – Gris	4
17	G-L-EU15	Bolsa de malla ancha (opcional – no se muestra)	1
17	EU15G	Bolsa de malla ancha (opcional – no se muestra) – Abrazadera Gris	1
18	360002	Bolsa de malla fina – Bloqueo mecánico	1
18	360009	Bolsa de malla fina – Bloqueo mecánico – Gris	1
18	G-L-EU16	Bolsa de malla fina – Sujetador con banda de velcro	1
18	EU16G	Bolsa de malla fina – Sujetador con banda de velcro – Gris	1
19	G-L-EU9	Válvula de desechos	1
20	G-L-EU7	Junta tórica para mástil de llenado	1
21	G-L-E18	Junta tórica para boquilla de presión	1
22	G-L-EC130	Boquilla de presión	1
23	G-L-EC135	Boquilla de presión – Placa	1
23	LLC135G	Boquilla de presión – Placa – Gris	1
24	G-L-EC65	Eje – Ruedas grandes	4
25	G-L-EC70	Placa de eje	4
26	370258Z	Tornillo de eje con arandela de presión	8
27	360006	Rueda sin cojinetes	4
28	G-L-EC60	Cojinetes de rueda – solos	8
29	G-L-EC55	Tornillo de rueda – Plástico	4
29	LLC55PM	Tornillo de rueda – Plástico – Gris	4
30	G-L-E10	Válvula de reserva	1
30	LL10PM	Válvula de reserva – Gris	1
31	360007	Rueda – Neumático	4
31	360012	Rueda – Neumático – Gris	4
32	G-L-EB15	Abrazadera de manguera	5
33	G-L-EC40	Tornillo	7
34	360005	Tapa de buje	4
34	360013	Tapa de buje – Gris	4

# LEGEND® – PIEZAS DE RECAMBIO

Nº artículo	Nº pieza	Descripción	Cant.
35	G-L-LD50	Manguera de llenado – blanda – 3 m	1
35	LLD50PM	Manguera de llenado – blanda, Gris – 3 m	1
36	G-L-ED10P	Flotador – Manguera de llenado	10
36	LLD10PM	Flotador – Manguera de llenado – Gris	10
37	G-L-LD45	Manguera de llenado – Blanca – 3 m	2
37	LLD45PM	Manguera de llenado – Gris – 3 m	2
38	G-L-ED05	Unión giratoria – Manguera de llenado	2
38	LLD05PM	Unión giratoria – Manguera de llenado – Gris	2
39	G-L-LLU1	Manguera adaptadora - Blanca – 22 cm	1
39	LLU1PM	Manguera adaptadora - Gris – 22 cm	1
40	G-L-ED15	Tuerca de empalme – Plástico – Manguera de llenado	8
40	LLD15PM	Tuerca de empalme – Plástico – Manguera de llenado-Gris	8
41	G-L-EW22	Accesorio de pared	1
41	LLW22PM	Accesorio de pared – Gris	1
41	E25	Válvula despresurizadora – Blanca	1
41	LL25PM	Válvula despresurizadora – Gris	1
42	G-L-E24	Malla – Accesorio de pared	1
43	G-L-E23	Adaptador de desconexión rápida	1
43	LL23PM	Adaptador de desconexión rápida – Gris	1
44	G-L-EC64	Rueda – Arandela de plástico	4
–	G-L-EH09C	Peso de manguera de barrido (opcional - no se muestra)	1
46	G-L-EG15	Engranajes para válvula de reserva	1
47	G-L-EC131	Kit de reparación de boquilla de presión, incluye: G-L-EC130/-EC135/-E18	1
47	360014	Kit de reparación de boquilla de presión, incluye: G-L-EC130/-LLC135/-E19	1
48	G-L-EA30	Tornillo para G-L-EA40/-EC110	5
49	370017	Manguera de barrido - Depurador	1
50	G-L-EU147	Postes tubo de vacío montaje ajustado	2
50	LLU147G	Postes tubo de vacío montaje ajustado – Gris	2
51	G-L-EU79	Tuerca y perno – Mástil de llenado a tubo de vacío	1
52	G-L-LLU8	Boquillas Venturi	2
52	LLU8G	Boquillas Venturi – Gris	2
53	G-L-EU80	Tornillo – Cubierta superior e inferior	4
54	360008	Abrazadera de manguera para 360002	1
54	360015	Abrazadera de manguera para 360009 – Gris	1



# LEGEND® – PIEZAS ILUSTRADAS



# Assistenza Clienti

In caso di domande sull'ordine di ricambi e prodotti per piscina Pentair Water Pool and Spa ("Pentair"), rivolgersi ai seguenti recapiti:

**Assistenza Clienti / Assistenza Tecnica – USA** (08:00 A.M. – 16:30 P.M. – Ora EST o PT)

Telefono: (800) 831-7133

Fax: (800) 284-4151

**HERENTALS, BELGIO** – (dalle 8:30 alle 16:30 — CET)

Telefono: + 32 (0) 14 25 99 11

## Sito Web

Visita [www.pentairpool.com](http://www.pentairpool.com) / [www.staritepool.com](http://www.staritepool.com) / [www.pentairpooleurope.com](http://www.pentairpooleurope.com)  
per informazioni sui prodotti Pentair

## Dichiarazione di conformità

Dichiariamo, sotto la nostra sola responsabilità, che il prodotto identificato in questa dichiarazione e al quale questa dichiarazione si riferisce è conforme ai requisiti per la sicurezza della Direttiva Comunitaria 98/37/CEE



Produttore: Pentair Water Pool and Spa, Inc.

© 2011 Pentair Water Pool and Spa, Inc. Tutti i diritti riservati.

**Questo documento è soggetto a modifiche senza preavviso.**

1620 Hawkins Ave., Sanford, NC 27330 –USA • (800) 831-7133 • (919) 566-8000

10951 West Los Angeles Ave., Moorpark, CA 93021 – USA • (800) 831-7133 • (805) 553-5000

**Pentair Water Belgium bvba** • Industriepark Wolfstee • Toekomstlaan 30 • B-2200 Herentals – Belgio  
+32 (0) 14.25.99.11

**Marchi commerciali e declinazioni di responsabilità:** Kreepy Krauly<sup>®</sup>, Legend<sup>®</sup> e Pentair Water Pool and Spa<sup>®</sup> sono marchi commerciali e/o marchi commerciali registrati di Pentair Water Pool and Spa, Inc. e/o delle aziende associate. Salvo indicazione diversa, i nomi e le marche di altri eventualmente citati in questo documento non sono utilizzati per indicare un'affiliazione o una sponsorizzazione tra i proprietari di questi nomi e di queste marche rispetto a Pentair Water Pool and Spa, Inc. Questi nomi e marchi possono essere marchi commerciali o marchi registrati delle parti indicate o di terzi.

# IMPORTANTI MISURE DI SICUREZZA



## Avvertenza importante:

**Avvertenza per l'installatore:** La presente guida contiene istruzioni importanti per l'installazione, il funzionamento e l'utilizzo sicuro di questo prodotto. Tali informazioni devono pertanto essere affidate al proprietario e/o all'utente di questa apparecchiatura dopo l'installazione del dispositivo di pulizia piscine.

**Avvertenza per l'utente:** Questo manuale contiene importanti informazioni per l'utilizzo e la manutenzione del dispositivo per la pulizia delle piscine. Conservarlo come riferimento per il futuro. Per qualsiasi informazione relativa a questo dispositivo rivolgersi a Pentair.



**ATTENZIONE** — Prima di installare il prodotto leggere con cura tutte le istruzioni e le avvertenze riportate. La mancata osservanza delle istruzioni e degli avvisi di sicurezza potrebbe produrre conseguenze quali danni alle cose, lesioni personali gravi o morte. Per copie aggiuntive gratuite di queste istruzioni chiamare il numero (800) 831-7133 [USA] o {Herentals - Belgio +32 (0) 14.25.99.11}.

## Informazioni per il cliente e Sicurezza

I sistemi per la pulizia per piscine Legend® vengono progettati e prodotti per garantire anni di utilizzo sicuro ed affidabile se installati, utilizzati e mantenuti secondo le istruzioni fornite in questo manuale. In questo manuale le informazioni di sicurezza e le precauzioni vengono identificate dal simbolo "⚠". Assicurarsi di leggere e rispettare tutte le istruzioni e le precauzioni.



**ATTENZIONE** — **Operazioni di aspirazione pericolose possono causare ferimento e/o annegamento.**

- Non giocare con il dispositivo pulente o con il tubo e non applicare al corpo.
- Per ridurre il rischio di ferimento, tenere lontano dalla portata dei bambini.
- Non permettere l'accesso di bagnanti alla piscina mentre si utilizza il pulitore per piscine. I tubi possono far inciampare o intralciare i nuotatori e causare annegamento.
- Scollegare sempre l'alimentazione alla pompa prima di svolgere la manutenzione o la pulizia dell'unità. Il mancato rispetto di quanto sopra può comportare ferimento e/o annegamento.



**ATTENZIONE** — **Operazioni di aspirazione pericolose possono causare ferimento e/o annegamento.**



- Se la piscina ha una bocchetta di aspirazione dedicata (bocchetta sottovuoto) per l'aspirazione o per un sistema di pulizia automatico della piscina, occorre coprirla quando non viene utilizzata. Se la bocchetta di aspirazione dedicata non è dotata di valvola di controllo pressione Twist Lock (a parete), acquistarne una dal proprio rivenditore di materiali per piscine e collegarla alla bocchetta di aspirazione dedicate del sistema di pulizia della piscina.



**ATTENZIONE** — **Spegnere la pompa** prima di cercare di pulire l'unità. Non consentire l'accesso alla piscina mentre si utilizza il pulitore per piscine.



**IMPORTANTE** — Il pulitore non è stato progettato per la pulizia iniziale di una piscina appena costruita.

## Informazioni importanti sulla piscina e sul pulitore Legend® :

Vi sono vari fattori che contribuiscono a prolungare la durata della vostra piscina. Il sistema automatico di pulizia per piscine Legend® è un prodotto passivo che non influenza la durata della piscina.

Con il tempo il deterioramento, la perdita di colore e brillantezza delle rifiniture per piscine possono verificarsi indipendentemente o in combinazione con fattori come età della piscina, composizione chimica scorretta dell'acqua, installazione errata ed altro. Un sistema di pulizia come Legend® non rimuove e non usura un "buon" rivestimento per piscine. Al contrario, l'intonaco per piscine potrebbe contribuire all'usura del pulitore.

Lo stesso vale per piscine interrate rivestite in vinile, dato che i rivestimenti in vinile sono influenzati dalle condizioni ambientali e da fattori come composizione dell'acqua, luce solare e ambiente circostante alla piscina.

Con il tempo, anche il vinile si può scheggiare e indebolire. Inoltre, le piscine in vinile sono influenzate da manodopera, composizione e installazione del rivestimento e da realizzazione e qualità nella costruzione di pareti e base della piscina. Questi fattori possono determinare problemi al rivestimento. L'esistenza di una qualsiasi condizione di questo tipo non è causata dall'utilizzo o dal funzionamento di Legend®.

## Lista di controllo di pre-installazione

Prima di installare il pulitore, leggere attentamente tutte le istruzioni e avvertenze di sicurezza in questa guida. Il mancato rispetto delle istruzioni o l'installazione scorretta del pulitore possono danneggiare il rivestimento in vinile o la finitura della piscina. Pentair Water Pool and Spa, Inc. non è responsabile per riparazione o sostituzione di questi due elementi o di altri componenti della piscina del cliente.

### Prima di installare il pulitore in una piscina con struttura in vinile:

Prima di installare il pulitore per piscine, esamina l'interno della piscina con attenzione. Controllare attentamente il rivestimento per individuare eventuali danni o deterioramento dovuti a età, sostanze chimiche, danni alle pareti, ecc. In caso di danni, far eseguire le riparazioni da un professionista qualificato. Inoltre, se il vostro rivestimento in vinile è scheggiato o vi sono pietre, radici, screpolature o corrosione da metalli a contatto con il rivestimento esterno, o se vi sono danni alle pareti o sul fondo, non installare il pulitore prima di aver fatto eseguire le opportune riparazioni da un professionista qualificato.

### Prima di installare il pulitore in una piscina in gunita o in una piscina completamente o parzialmente coperta a mattonelle:

Prima di installare il pulitore per piscine in una piscina che è completamente o parzialmente coperta a mattonelle controllare che queste non siano allentate e che i fissaggi siano ben serrati. Non installare il pulitore prima che un tecnico per piscine qualificato abbia eseguito le necessarie riparazioni.

### Prima di installare il pulitore, pulire il sistema di filtraggio:

Assicurarsi di aver pulito i filtri ed aver eseguito controlavaggio, risciacquo e di aver svuotato tutti i cestelli. Un sistema pulito è essenziale per un corretto funzionamento e una copertura totale del sistema pulente.

### Prima di installare il pulitore, riempire il tubo con acqua:

Assicurarsi sempre che la testina pulente sia immersa e che il tubo sia pieno di acqua prima di collegare il tubo al sistema filtrante (tramite stime o con un giunto a parete dedicato) La presenza di aria nel sistema può danneggiare la pompa a causa di marcia a secco e surriscaldamento.

### Prima di installare il pulitore, prendi nota della sua applicazione:

Il pulitore è progettato per rimuovere i detriti dalla piscina in circa 4-6 ore. Potrebbe occorrere un tempo minore, a seconda delle dimensioni della piscina stessa. Il pulitore non è progettato per la pulizia automatica di gradini, uscite o per lavorare con piscine con telo di copertura. Non è progettato per la pulizia iniziale di una nuova piscina o per la pulizia all'apertura della stagione.

### DOPO l'installazione del pulitore, assicurarsi che funzioni correttamente:

Il pulitore potrebbe richiedere alcune regolazioni per poter funzionare correttamente senza danneggiare la finitura della piscina. Alcuni disegni dei rivestimenti in vinile sono soggetti ad usura, rimozione del disegno, rimozione dell'inchiostro, graffi al disegno causati da contatto tra oggetti e superficie in vinile, incluso il sistema di pulizia automatico. Pentair Water Pool and Spa, Inc. non è responsabile per la rimozione, abrasione e per segni sulla superficie del rivestimento in vinile.



## LL505G LL505GG®

### Informazioni importanti:

Il sistema di pulizia automatico per piscine Legend® viene fornito con un collegamento per tubo filettato femmina da 1-1/2" per la nostra pompa universale. Inoltre, se disponete di cloratore, sistema a pannelli solari o apparecchiatura con alimentazione di aria, contattare il nostro Supporto Tecnico al nr 1-800-831-7133 [USA] o {Herentals – Belgio +32 (0) 14.25.99.11}, prima di installare Legend®. (Vedere il diagramma su pagina 68.)

***Di seguito si riportano elementi importanti da sapere prima di installare e far funzionare Legend®.***

1. Disconnettere sempre Legend® dalla parete della piscina durante la pulizia o il risciacquo dei filtri della piscina.
2. Dopo la pulizia o il risciacquo, lasciar in funzione il sistema di filtraggio per almeno cinque minuti prima di ricollegarlo a Legend®.
3. Sciacquare abbondantemente le nuove tubature idrauliche prima di installare Legend®.
4. Non utilizzare Legend per togliere la polvere di gesso nelle piscine nuove.
5. Togliere sempre Legend® prima che i nuotatori entrino in piscina.
6. Maneggiare sempre Legend® con attenzione. Non lasciar giocare bambini o cuccioli con l'unità: non è un giocattolo.
7. Prendere sempre Legend® dalla maniglia, specialmente quando si solleva l'unità fuori dall'acqua.
8. Tranne che per controllare i giri/min della ruota, non maneggiare Legend® mentre è in funzione.
9. Togliere sempre Legend® dalla piscina prima dei trattamenti di shock chimico. Di regola qualsiasi acqua che non è sicura per nuotare non lo è neanche per Legend®.
10. Tagliare con cautela il tubo di alimentazione seguendo le istruzioni alla sulla pagina 69.

***Seguendo queste semplici direttive si contribuisce a proteggere dai danni e a prolungare la vita di Legend®.***

Prima di installare Legend® ricordarsi di annotarne il numero di serie. Questo numero è indicato sulla garanzia e sul retro di Legend® dietro il propulsore posteriore. Questo numero viene richiesto ogni volta che si contatta il nostro servizio di Assistenza Tecnica.

NUMERO DI SERIE # \_\_\_\_\_

# INDICE

Importanti Misure di Sicurezza .....	63
Liberatoria .....	64
Informazioni Importanti .....	65
<b>I. Introduzione .....</b>	<b>67</b>
A. Grazie per aver scelto Legend® .....	67
B. Cosa aspettarsi da Legend® .....	67
<b>II. Istruzioni per l'installazione .....</b>	<b>68</b>
A. Componenti Legend® .....	68
B. Collegamenti della piscina .....	68
C. Installazione della pompa booster .....	68
D. Installazione della valvola limitatrice della pressione Twist Lock (dispositivo di montaggio a muro) .....	69
E. Taglio del tubo di alimentazione .....	69
F. Controllare il funzionamento .....	73
G. Regolazione di precisione di Legend® .....	73
1. Regolazione del getto di manovra .....	73
2. Regolazione del tubo di pulizia .....	73
3. Controllo dei giri/min delle ruote .....	74
<b>III. Funzionamento/Manutenzione periodica .....</b>	<b>74</b>
A. Collegamento/Scollegamento di Legend® .....	74
B. Spegnimento/Accensione di Legend® .....	74
C. Pulire la borsa per sabbia e limo .....	75
D. Manutenzione periodica .....	75
1. Schermo a parete .....	75
2. Gomme e cuscinetti .....	76
3. Anelli .....	76
4. Borse dei detriti .....	76
5. Tubo di pulizia .....	76
6. Valvola detriti .....	76
E. Risciacquo del filtro della piscina .....	76
F. Conservazione e preparazione per l'inverno .....	76
G. Accessori .....	77
1. Peso tubo pulente .....	77
2. Sacca per foglie .....	77
3. Ruote coppa di aspirazione .....	77
<b>IV. Risoluzione di problemi e suggerimenti per prestazioni ottimali .....</b>	<b>78</b>
Parti di ricambio di Legend® .....	79
Parti illustrate di Legend® .....	81

# I. Introduzione

## A. Grazie per aver scelto il pulitore per piscine Legend®

Congratulazioni! Ha acquistato il nuovo pulitore per piscine automatico. Legend® è progettato per garantirle anni di utilizzo affidabile ed efficiente. Con Legend® lei e la sua famiglia potrete passare più tempo rilassandovi e godendovi la vostra piscina, e meno tempo pulendola.

Legend® è stato progettato e costruito con caratteristiche e innovazioni per creare un sistema di pulizia per piscina che garantisca anni di utilizzo in piena efficienza. Legend® viene costruito con la massima cura per il prodotto e materiali all'avanguardia ed è accompagnata da una garanzia limitata che protegge da difetti di fabbrica e dei componenti.

Come qualsiasi dispositivo meccanico, Legend® richiede un po' di manutenzione preventiva e la sostituzione di determinati componenti soggetti a intensa attività. Raccomandiamo di controllare Legend® annualmente. Per ottenere i migliori risultati far installare Legend® da un professionista qualificato per le piscine.

Per i proprietari della piscina che hanno esperienza idraulica e meccanica, le istruzioni per l'installazione sono incluse in questo manuale.

**Dare la massima priorità alla sicurezza!** Verificare che Legend® sia stato tolto dalla piscina e riposto con cura in una zona ombreggiata prima che qualcuno entri nella piscina.

## B. Funzione prevista di Legend®

Quando funziona correttamente, Legend® attraversa su traiettoria casuale in tutta la piscina, aspirando e pescando sul fondo. La capacità di salire di Legend® dipende dalla forma della piscina. Sale meglio in piscine senza angoli acuti o curve nel passaggio dal pavimento alla parete della piscina.

Legend® viene fornito con incluso un dispositivo di montaggio a parete (Part# EW22/LLW22PM), dotato di una valvola limitatrice della pressione Twist Lock. Se l'unità di Legend® è sottoposta a una pressione idrica eccessiva, la valvola può essere regolata manualmente per ridurre la pressione dell'acqua.

Approssimativamente ogni tre minuti e 30 secondi, Legend® passa in modalità back-up. A questo punto la valvola di regolazione della pressione di condensazione allontanerà Legend® dalla sua attuale posizione aumentando il suo percorso casuale.

Il tubo di pulizia spazza con un movimento delicato, per evitare che i detriti vengano intrappolati in angoli della piscina difficili da raggiungere.

## II. Istruzioni per l'installazione

### A. Componenti Legend®

La confezione di Legend® contiene:

1. Testina pulente
2. Borsa per sabbia e limo
3. Tubo di pulizia (connesso alla testina pulente)
4. Tubo di alimentazione completo
  - a. 1 - tubo di 22 cm
  - b. 2 - tubi bianchi (rigidi) di 3 m
  - c. 1 - tubo (morbido) di 75 cm / 1 - tubo (morbido) di 2,3 m
  - d. 10 - galleggianti
  - e. 3 - snodi
  - f. 1 - valvola di regolazione della pressione di condensazione
  - g. 10 - dadi di raccordo
  - h. 1 - dispositivo completo di montaggio a parete

### B. Collegamenti della piscina

Legend® è dotato di serie della possibilità di collegarsi ad un tubo filettato femmina di 38 mm, apposito per la nostra pompa booster universale.

Inoltre, se la piscina non dispone di una linea dedicata per il sistema di pulizia, contattare l'Assistenza Tecnica al numero 1-800-831-7133 [USA] o {Herentals – Belgio +32 (0) 14.25.99.11}.

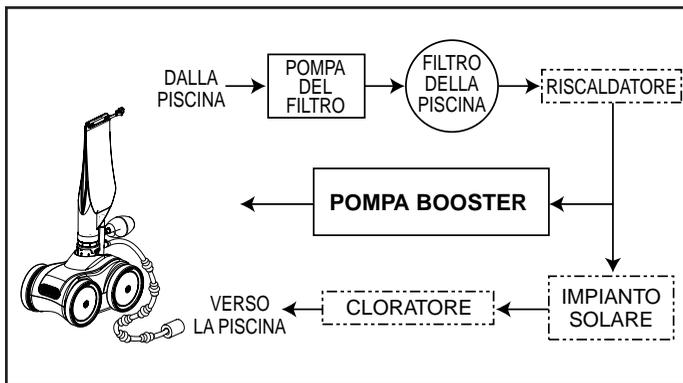
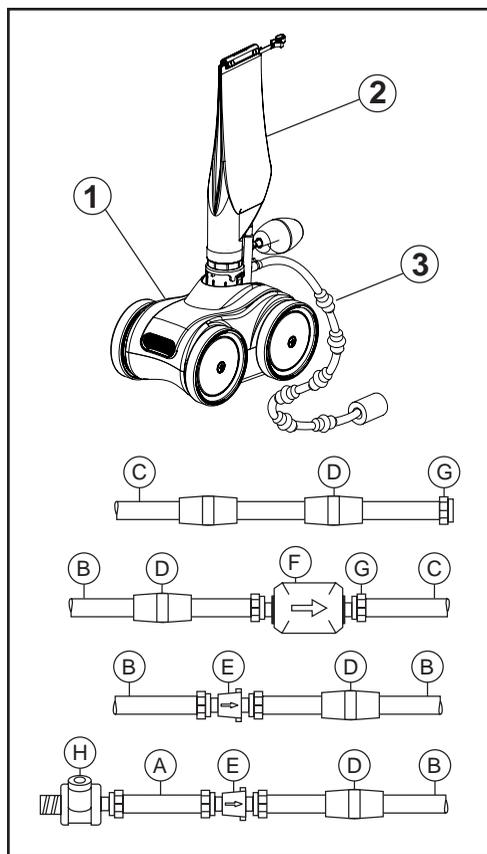
### C. Installazione della pompa booster

Se nella base di apparecchiature è già installata e funzionante una pompa booster con una potenza di 3/4 cavalli vapore, saltare questa sezione e procedere all'installazione della valvola limitatrice della pressione Twist Lock (dispositivo di montaggio a muro).

Istruzioni di installazione dettagliate per la pompa booster sono contenute a parte nella confezione della nostra pompa booster.

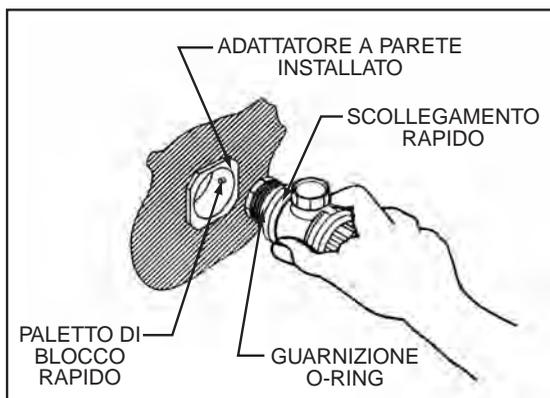
**Seguire con attenzione queste istruzioni.**

La pompa booster non è autoadescante e deve essere alimentata con acqua assunta dal filtro della piscina prima di qualsiasi tipo di cloratore in linea.



## D. Installazione della valvola limitatrice della pressione *Twist Lock* (dispositivo di montaggio a muro)

1. Estrarre eventuali pulitori e/o dispositivi di montaggio a muro esistenti.
2. Avviare la pompa di filtraggio e la pompa booster, risciacquare abbondantemente la tubatura idraulica.
3. Spegnerne la pompa del filtro e la pompa booster.
4. Togliere l'adattatore a parete dal dispositivo di montaggio a parete e avvitare a mano l'adattatore nella tubatura dedicata. Ruotare fino a quando sarà ben serrato.
5. Prendere il dispositivo di montaggio a parete e inserirlo nell'adattatore a parete, ruotare di 1/4 ed estrarre quando si sarà garantita l'aderenza. Una volta fissato saldamente l'adattatore a parete, è possibile ruotare il blocco e lo sblocco per rimuovere con facilità il dispositivo di montaggio a parete dall'adattatore a parete.

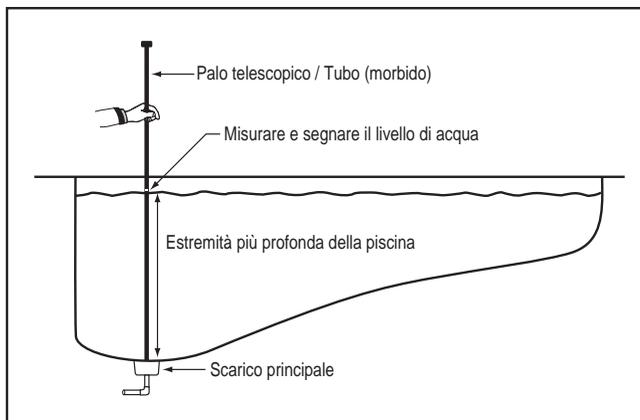


## E. Taglio del tubo di alimentazione (vedere i diagrammi del tubo su pagina 70)

Il gruppo dei tubi presenta 5 sezioni che coprono circa 9 m della piscina, vale a dire tubo sufficiente per la maggior parte delle piscine residenziali. La valvola di regolazione della pressione di condensazione è ora a 75 cm dalla testina pulente. Tale distanza deve essere sempre conservata. Per piscine più grandi, vedere #14 su pagina 72 per sapere come aggiungere ulteriori tubi di alimentazione.

1. Togliere il tubo di alimentazione dalla confezione (sarà lungo circa 9 metri). Prima di installare l'unità, stendere il tubo di alimentazione al sole (possibilmente per un giorno). Il tubo è stato arrotolato nella confezione e talvolta rimane piegato a cerchio. In tale eventualità, prendere la prima o la seconda sezione del tubo a partire dalla parete e rovesciarla, (gitarla). Potrebbe essere necessario rovesciare entrambe le sezioni per risolvere il problema. Assicurarsi che il tubo di alimentazione sia tagliato e installato correttamente.
2. Misurare la profondità della piscina utilizzando il palo telescopico o l'estremità trasparente del tubo di alimentazione. Tagliare il tubo (morbido) di una lunghezza pari alla profondità della piscina (Suggerimento: il punto più profondo di solito è la grata o lo scarico principale a cupola sul fondo).

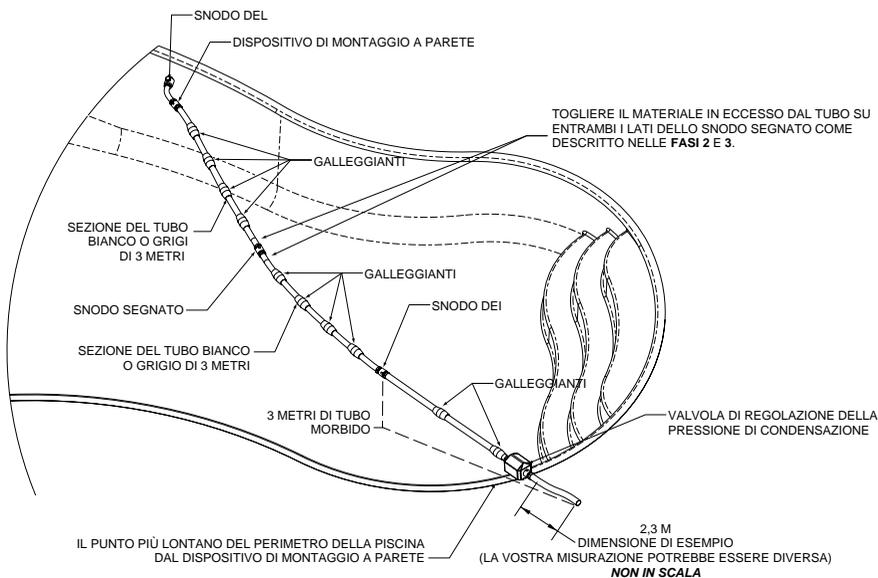
*Esempio:* Il tubo (morbido) è lungo 3 m: tagliarne 0,5 m se la piscina è profonda 2,5 m. Se la profondità è maggiore di 3 m, non tagliare il tubo (morbido).



## ESEMPIO DI MONTAGGIO DEL TUBO PRIMA DEL TAGLIO A MISURA

### FASI

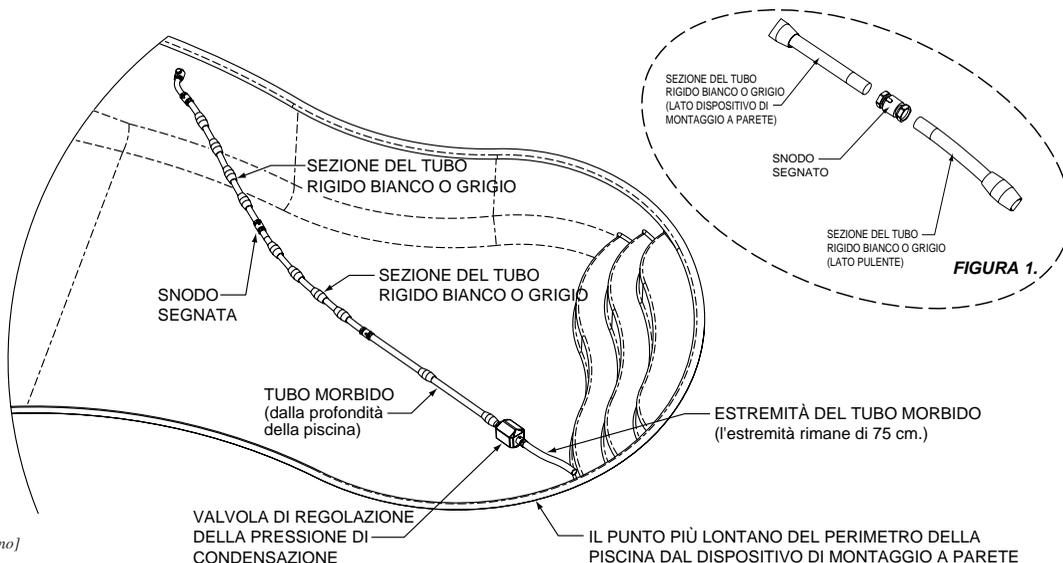
1. Con il gruppo del tubo di alimentazione attaccato alla parete della piscina, reggere il gruppo del tubo di alimentazione dall'estremità opposta con il tubo trasparente e camminare lungo il perimetro della piscina per localizzare il punto più lontano sul perimetro dal dispositivo di montaggio a parete senza allungare il gruppo del tubo.
2. Misurare la distanza di estensione del gruppo del tubo oltre il punto più lontano del perimetro della piscina individuato nella fase 1 — (2,3 m in questo esempio).
3. Tagliare tutta la lunghezza ottenuta dalla fase 2, (1 m in questo esempio), eliminandola in parti uguali da ciascuna delle due lunghezze di 3 m del tubo bianco o grigio su uno dei lati con lo snodo segnato.



## ESEMPIO DI MONTAGGIO FINITO DEL GRUPPO DI TUBO DOPO IL TAGLIO A MISURA

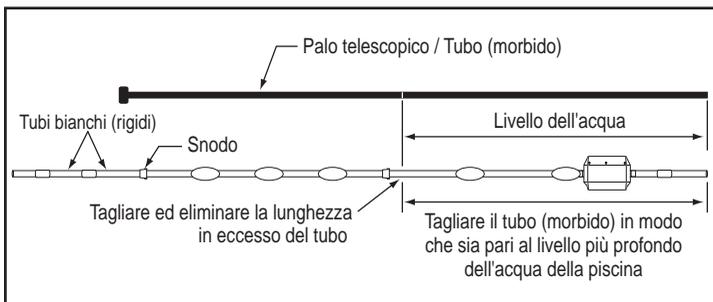
### FASI

4. Riassemblare i tubi utilizzando i dadi di raccordo forniti come indicato nella FIGURA 1.
5. Il gruppo del tubo completamente finito dovrebbe avere questo aspetto. L'estremità di 75 cm del tubo trasparente dovrebbe giungere esattamente al bordo più lontano del perimetro della piscina come indicato.



## E. Taglio del tubo di alimentazione - (cont.)

- Collocare il palo telescopico accanto al tubo (morbido). Se il tubo trasparente (morbido) è più lungo del segno sul palo telescopico, tagliare la parte in eccesso dall'estremità attaccata al tubo bianco (rigido). Non tagliare il galleggiante.



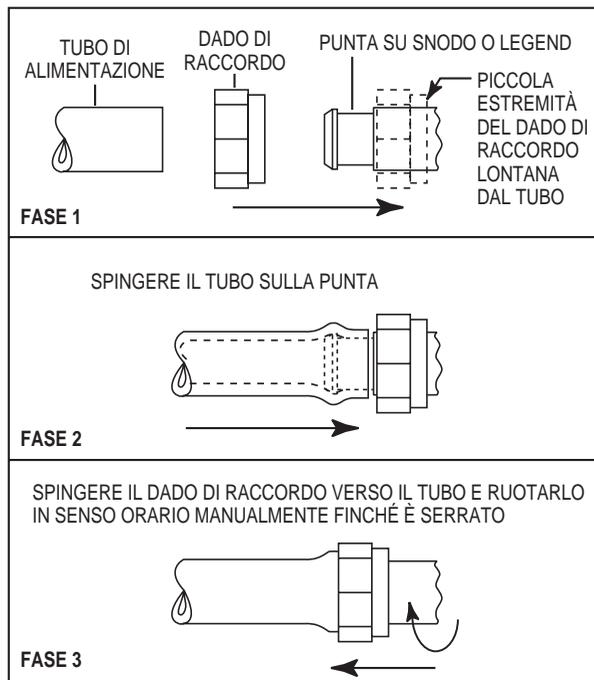
Lasciare il primo galleggiante in posizione accanto alla valvola di regolazione della pressione di condensazione. Collocare il secondo galleggiante a metà strada tra il primo galleggiante e lo snodo del tubo.

- Attaccare il tubo di alimentazione al dispositivo di montaggio a parete e attaccare il dispositivo di montaggio a parete alla parete della piscina. Tenere l'estremità del tubo (morbido) e camminare sul perimetro della piscina tenendo il tubo dritto (non allungare il tubo) per trovare il punto più lontano della piscina dal dispositivo di montaggio a parete.
- Misurare la lunghezza in eccesso tra il punto più lontano dal dispositivo di montaggio a parete e l'estremità di 75 cm del tubo (morbido).

- Metà della lunghezza ricavata deve essere **tagliata in parti uguali dai tubi bianchi (rigidi) di 3 metri in prossimità dello snodo segnato**. (Esempio: metà di 180 cm = 90 cm ciascuno). Se si deve tagliare da entrambi i tubi oltre 60 cm, togliere i galleggianti vicini allo snodo. Vedere figuris su pagina 70.

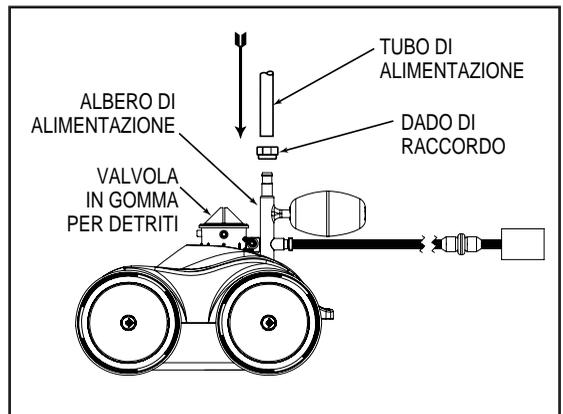
- Riassemblare i tubi e lo snodo utilizzando i dadi di raccordo. Collocare innanzitutto il dado di raccordo sullo snodo, quindi spingere il tubo o lo snodo, ruotare il dado di raccordo sul tubo in senso orario finché è ben stretto.

*Nota: tenere quanti più galleggianti possibile sui tubi di alimentazione bianchi, spaziatosi in modo uniforme, anche di lato per mantenere il tubo sulla superficie dell'acqua.*

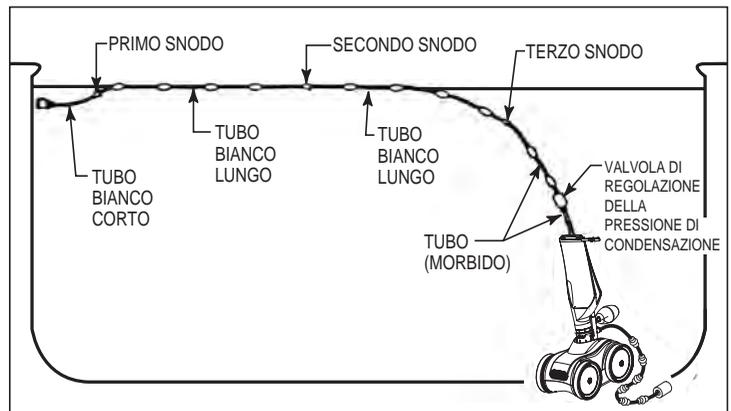


## E. Taglio del tubo di alimentazione - (cont.)

8. Nel tagliare i tubi utilizzare forbici forti o un coltello affilato. Al momento del taglio, verificare che i galleggianti siano fuori percorso.
9. Collocare un dado di raccordo in più sull'albero di Legend® e spingere delicatamente il tubo (morbido) sull'albero a 1/2" (1,27 cm), stringere il dado di raccordo intorno al tubo (morbido). **Nota:** La valvola di regolazione della pressione di condensazione dovrebbe sempre essere a 30" (76,2 cm) dalla testina pulente.
10. Ora togliere la borsa, 360002/360009, dalla confezione e bloccarla saldamente sul lato superiore della strozzatura di Legend® sulla la valvola dei detriti in gomma.



11. Esame e lista di controllo: i tubi bianchi e trasparente devono essere correttamente tagliati e i galleggianti spazati a intervalli regolari. I dadi di raccordo si serrano su snodi, valvola di regolazione della pressione di condensazione, albero di Legend® e dispositivo di montaggio a parete. Assicurarsi che il dispositivo di montaggio a parete sia ben bloccato in sede.



12. Far scendere con attenzione il gruppo Legend® completo nella piscina. Dovrebbe avere l'aspetto – destra illustrato.
13. Ritornare all'attrezzatura e avviare innanzitutto la pompa del filtro (attendere 30 secondi perché l'aria esca dal tubo), quindi avviare la pompa booster.
14. Per aggiungere ulteriore tubo di alimentazione per piscine grandi che richiedono una lunghezza maggiore del tubo sarà necessario acquistare un (1) tubo aggiuntivo (G-L-LLD45/LLD45PM), quattro (4) galleggianti (G-L-ED10P/LLD10PM), uno (1) snodo (G-L-ED05/LLD05PM) e due (2) dadi di raccordo (G-L-ED15/LLD15PM). Attaccare un ulteriore tubo bianco (rigido) tra il tubo (morbido) ed il tubo esistente bianco (rigido), utilizzando galleggianti, snodi e dadi di raccordo. Dividere l'eccedenza del tubo bianco (rigido) per tre (3) per ottenere questa volta tutto il bianco alla stessa lunghezza.

## F. Controllare il funzionamento

Quando funziona correttamente, Legend® si sposta secondo uno schema casuale attraverso tutta la piscina, aspirando e pescando sul fondo. La capacità di salire di Legend® dipende dalla struttura della piscina e dal flusso di acqua che vi arriva. Sarà più efficiente in piscine senza angoli o curve acuti nel passaggio dal fondo alla parete della piscina.

Legend® si presenta con una valvola limitatrice della pressione Twist Lock (dispositivo di montaggio a muro) Se a Legend® riceve una pressione idrica eccessiva, la valvola di sfogo nel montaggio a muro scaricherà la pressione dell'acqua in eccesso.

Ogni tre minuti e 30 secondi circa, Legend® passa in modalità back-up. Il tempo di ciclo della valvola di regolazione della pressione di condensazione, quando è in modalità back-up, è circa di 30 secondi, esercitando su Legend® una trazione rispetto all'attuale posizione e aumentando il suo percorso casuale.

### Informazioni sulla nuova valvola di regolazione della pressione di condensazione:

L'inserto della valvola di regolazione della pressione di condensazione scivola nella fessura sopra il getto della valvola. È fissato con una vite di acciaio inossidabile come illustrato nello schema. L'inserto sarà regolato in fabbrica con il foro più grande di 3/8" (0,95 cm) sull'apertura del getto. Il foro più grande viene utilizzato per il pulitore Legend®. Modificando l'inserto per il foro più piccolo di 1/4" (0,635 cm), la valvola di regolazione della pressione di condensazione riceverà una maggiore pressione del getto che potrebbe aggrovigliare il tubo.

Il tubo di pulizia spazza con un movimento delicato per evitare che i detriti vengano intrappolati in angoli della piscina difficili da raggiungere.

Se Legend® non percorre tutte le zone della piscina, spegnere la pompa booster e la pompa di filtraggio della piscina e apportare le necessarie regolazioni, seguendo le istruzioni riportate nella prossima sezione.



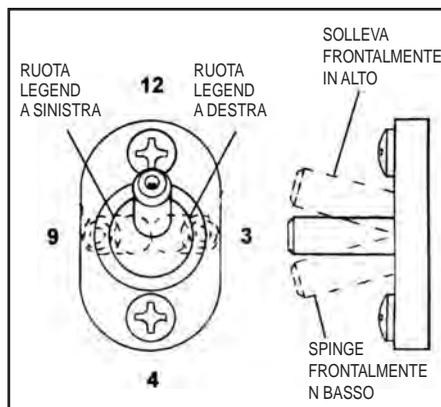
## G. Regolazione di precisione di Legend®

### 1. Regolazione del getto di manovra

Sul retro di Legend® è presente un getto di manovra, che modifica la direzione del pulitore. La posizione standard di fabbrica per il getto è centrale e diritta. (Vedere destra illustrato.)

### 2. Regolazione del tubo di pulizia

Il tubo di pulizia lavora spazzando con un movimento delicato. Per aumentare o diminuire il movimento del tubo di pulizia, regolare la vite posta sulla punta dell'albero di alimentazione sotto il galleggiante di zavorra. Ruotando la vite in senso orario, il movimento del tubo di pulizia diminuirà, che invece aumenterà con la rotazione della vite in senso antiorario.



## **G. Regolazione di precisione di Legend® - (cont.)**

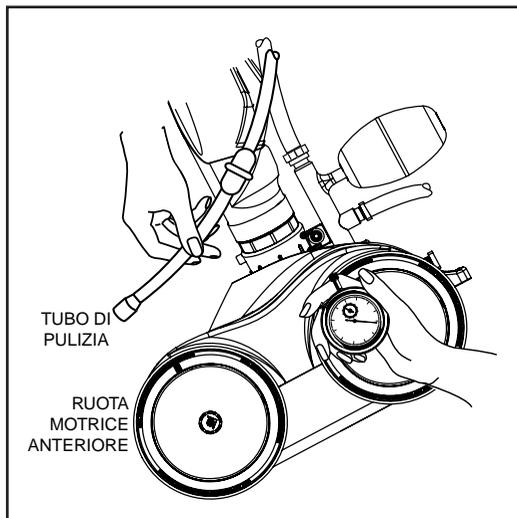
### **3. Controllo dei giri/min delle ruote**

Per sapere se Legend® sta ricevendo la corretta pressione dell'acqua, spegnere la pompa della piscina e rimuovere con cura Legend® dalla piscina.

Fare un segno sul lato frontale della gomma/ruota con un pennarello, o utilizzare il logo Pentair collocato sul lato della gomma come un indicatore per contare i giri della ruota al minuto.

Mentre una persona avvia la pompa della piscina e la pompa booster, un'altra persona sistema Legend® nella piscina appena sotto la superficie dell'acqua (Tenere sul tubo di pulizia per evitare di bagnarsi).

Contare i giri della ruota segnata per un minuto esatto. (Controllare che in quel periodo la valvola di regolazione della pressione di condensazione non stia compiendo il suo ciclo.) I giri contati corrispondono ai giri al minuto (giri/min).



Per una prestazione corretta, Legend® funziona tra 28 e 32 giri/min. Se i giri/min risultano inferiori a 28 chiamare il proprio tecnico o contattare il nostro servizio di Assistenza Tecnica al numero 1-800-831-7133 [USA] o {Herentals – Belgio +32 (0) 14.25.99.11}.

Se i giri/min sono oltre 32, svitare lentamente la valvola di scarico della pressione presso il dispositivo di montaggio a parete, finché i giri/min non rientreranno nell'intervallo tra 28 e 32.

**Per qualsiasi chiarimento, contattare Pentair Water Pool and Spa, Inc., Assistenza Tecnica: 1-800-831-7133 [USA] o {Herentals – Belgio +32 (0) 14.25.99.11}, dal lunedì al venerdì.**

## **III. Funzionamento/Manutenzione periodica**

### **A. Collegamento/Scollegamento di Legend®**

Spegnere la pompa booster e la pompa della piscina. Quindi prendere il dispositivo di montaggio a parete e ruotare in senso orario fino a bloccarlo nell'adattatore a parete. Per scollegare Legend®, sbloccare ruotando in senso antiorario. Il dispositivo di montaggio a parete deve restare sulla parete della piscina.

### **B. Spegnimento/Accensione di Legend®**

Legend® controlla la pompa booster proveniente dalla base dell'apparecchiatura. Può essere avviato o spento semplicemente accendendo o spegnendo il marcatempo della pompa booster.

## C. Pulire la borsa per sabbia e limo

Sbloccare con attenzione la borsa dei detriti dal tubo di pulizia. Utilizzare il pollice per spingere la chiusura a scatto a forma di "U" verso l'alto fino a quando non scatterà in posizione aperta. Estrarla dall'apertura. Aprire la borsa e togliere i detriti.

Per chiudere, spingere il centro della borsa verso l'interno (come illustrato) e avvicinarne i bordi per farli aderire a fisarmonica. Ruotare di nuovo la chiusura a scatto a forma di "U" sulla posizione di chiusura.

Spingere con delicatezza sul lato superiore della chiusura a scatto a forma di "U" per assicurarsi che scatti in sede. Riapplicare il morsetto sul tubo di alimentazione.

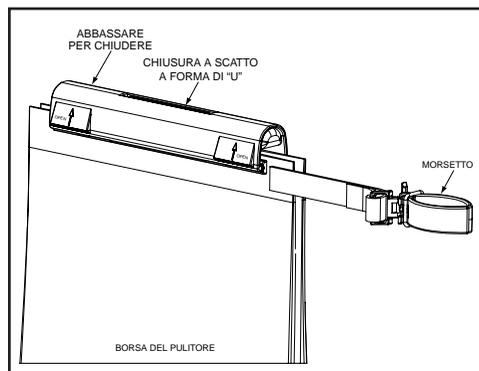
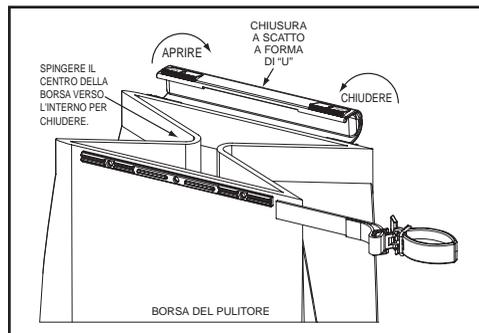
La borsa dei detriti è pronta per essere reinstallata sul pulitore.

Se nella piscina sono presenti molti detriti, in particolare dopo una tempesta, si possono avviare due cicli più brevi di Legend® al giorno, svuotando la borsa dei detriti tra uno e l'altro.

Ricollegare la borsa dei detriti al tubo aspirante. **NON** rovesciare.

**Suggerimento utile:** è più facile svuotare la borsa di detriti quando è asciutta. In attesa dell'asciugatura, se ne può usare una seconda.

È preferibile svuotare la borsa dei detriti riempita a metà. Legend® funzionerà meglio se la borsa non è sovraccarica.



## D. Manutenzione periodica

Le parti seguenti sono soggette ad usura che dovrebbero essere controllate, sottoposte a manutenzione o sostituite secondo la necessità. Tutte le parti operative o mobili che si usurano a causa dell'uso del pulitore sono da considerare soggette ad usura. **Gli articoli soggetti ad usura non sono coperti da garanzia.**

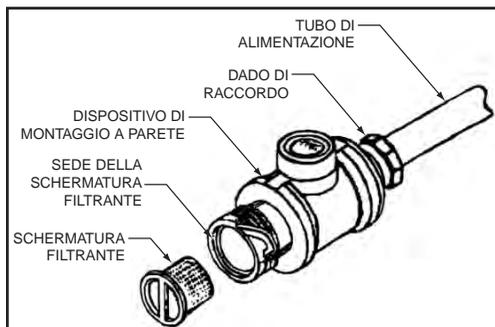
### 1. Schermatura del dispositivo di montaggio a parete

All'interno del dispositivo di montaggio a parete è presente una schermatura filtrante che funge da filtro secondario. La schermatura trattiene i detriti che attraversano il filtro della piscina uscendo da Legend®. Il funzionamento del pulitore senza la schermatura filtrante può danneggiare Legend® e invaliderà la garanzia.

La schermatura continuamente ostruita o sporca indica problemi nel sistema di filtraggio della piscina. Sarà necessario contattare il tecnico per l'assistenza alla piscina.

Per pulire la schermatura filtrante, estrarre la schermatura dall'interno del dispositivo di montaggio a parete, sciacquare abbondantemente e reinserire dentro il dispositivo di montaggio a parete.

Per pulire, eseguire il controlavaggio o riparare il filtro, togliere il dispositivo di montaggio a parete e sciacquare abbondantemente il tubo dedicato prima di utilizzare Legend®.



## III. Funzionamento/Manutenzione periodica - (cont.)

### 2. Gomme e cuscinetti

Le gomme sono progettate per proteggere il fondo della piscina e fornire una presa ottimale. Ruotare o sostituire le gomme se appaiono usurate fino alla scanalatura.

I cuscinetti delle ruote sono garantiti senza difetti al momento in cui vengono spediti da Pentair Water Pool and Spa, Inc. e sono considerati articoli soggetti a usura. Un cuscinetto in buone condizioni gira liberamente.

### 3. Anelli

Il tubo di pulizia è dotato di una serie di anelli per proteggere il tubo di pulizia. Sostituire gli anelli quando necessario. Si possono ruotare gli anelli per prevenire che si formino dei punti piatti.

### 4. Borse dei detriti

*Borsa a maglia fine per sabbia e limo*

Legend® viene fornito con una borsa per sabbia e limo multiuso in tutte le piscine. Non consigliamo di utilizzare la borsa a maglia fine per raccogliere le foglie e i ramoscelli o altri detriti grandi, ovvero oggetti con punte affilate e bordi che possono produrre fori e alla fine strappare la borsa.

*Borsa per foglie optional*

La borsa per foglie è una borsa a rete più grande, studiata per raccogliere i detriti più pesanti come foglie, ramoscelli, ghiande e così via. Questa borsa può essere utile specialmente dopo una tempesta.

**Suggerimento utile:** Per prolungare la durata delle borse, togliere il pulitore dalla piscina prima di aggiungere prodotti chimici.

### 5. Tubo di pulizia

Il tubo di pulizia viene fornito per aiutare a mantenere puliti il fondo e i lati della vostra piscina. Il tubo di pulizia è garantito privo di difetti quando viene spedito dalla fabbrica e viene considerato un articolo soggetto ad usura.

### 6. Valvola detriti

La valvola è posizionata sotto alla borsa dei detriti ed è progettata per mantenere i detriti all'interno della borsa. Funziona come una valvola di controllo per consentire ai detriti di entrare nella borsa solo in una direzione. È necessario sostituirla quando la valvola comincia a irrigidirsi.

## ***E. Risciacquo del filtro della piscina***

Disconnettere sempre Legend® dalla parete della piscina prima della pulizia o del risciacquo dei filtri della piscina. Dopo aver pulito o eseguito il controlavaggio, lasciare il sistema di filtraggio della piscina attivo per almeno cinque minuti, per sciacquare le tubature di ritorno prima di ricollegarsi a Legend®.

## ***F. Conservazione e preparazione per l'inverno***

Non lasciare mai né conservare Legend® alla luce diretta del sole. Quando si ripone Legend® per l'inverno, verificare che l'acqua sia completamente drenata. Si tratta di un accorgimento importante, considerato che la garanzia non copre i danni da ghiaccio. Togliere anche il dispositivo di montaggio a parete.

## **G. Accessori**

### **1. Peso tubo pulente**

*Se il tubo tende a salire in superficie spruzzando quindi su cose o persone intorno alla piscina, si può installare un peso all'estremità del tubo.*

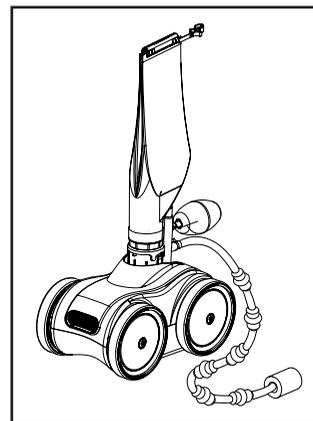
(Il codice per il peso del tubo è EH09C)

### **2. Sacca per foglie**

(vedi pagina precedente)

### **3. Nuova ruota per Coppa di aspirazione Legend®**

Progettata per salire in aree difficili, fibra di vetro, piastrelle e superfici lisce. Per altre applicazioni, contattare l'Assistenza tecnica al numero 1-800-831-7133 [USA] o {Herentals – Belgio +32 (0) 14.25.99.11}.



(codice ruote coppa aspirazione  
LC6LSA)

## IV. RISOLUZIONE DI PROBLEMI E SUGGERIMENTI PER PRESTAZIONI OTTIMALI

**Per ottenere le migliori prestazioni dal pulitore, attenersi alla guida per la risoluzione dei problemi riportata di seguito.**

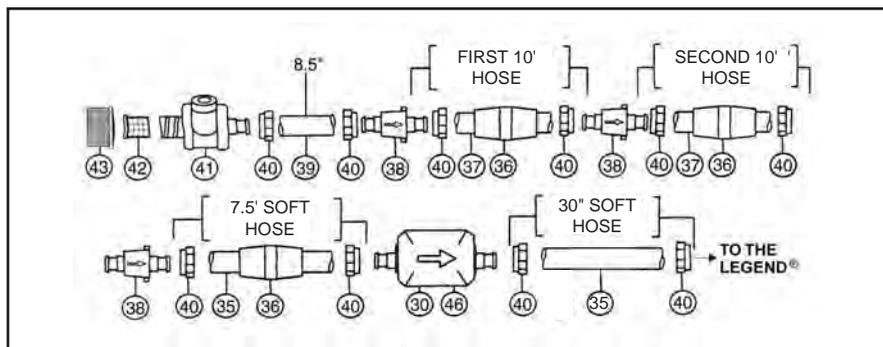
Problema	Soluzione
Legend® non si muove o si muove lentamente o si blocca a passi.	<ol style="list-style-type: none"><li>1. Assicurarsi che la pompa del filtro e la pompa booster siano accese e che funzionino correttamente. (Potrebbe essere necessario pulire il sistema di filtraggio della piscina).</li><li>2. Controllare l'eventuale presenza di detriti nella schermatura del dispositivo di montaggio a parete e sciacquare bene.</li><li>3. Controllare i giri/min della ruota. (Vede la pagina 74.)</li><li>4. Determinare se la valvola di regolazione della pressione di condensazione sia in funzione (tenendo la valvola fuori dall'acqua, il getto dovrebbe fuoriuscire per circa 30 secondi e cessare per circa 3 minuti e 30 secondi.)</li><li>5. Controllare tutti i collegamenti del tubo e gli snodi per rilevare eventuali perdite che possono causare una minore pressione dell'acqua.</li><li>6. Controllare se ci sono dei detriti bloccati nei denti del meccanismo su una delle ruote motrici frontali. Ruotare gentilmente le ruote frontali all'indietro per smuovere i detriti.</li></ol>
Legend® cade o giace di lato.	<ol style="list-style-type: none"><li>1. Di solito indica la necessità di svuotare la borsa.</li><li>2. Per vedere se il galleggiante di zavorra perde, controllare se c'è acqua all'interno. Svitare tirando indietro e ruotando in senso antiorario. Quando esce scuoterlo e ascoltare se c'è acqua nel galleggiante.</li></ol>
Legend® non torna indietro.	<ol style="list-style-type: none"><li>1. Determinare se la valvola di regolazione della pressione di condensazione sia in funzione (tenendo la valvola fuori dall'acqua, il getto dovrebbe fuoriuscire per circa 30 secondi e cessare per circa 3 minuti e 30 secondi).</li><li>2. Controllare i giri/min della ruota. (Vede la pagina 74.)</li><li>3. Svuotare la borsa dei detriti se è piena o riempita a metà.</li></ol>
Legend® non sale.	<ol style="list-style-type: none"><li>1. Anche se la piscina non presenta alghe è necessario spazzolare i lati delle pareti della piscina.</li><li>2. Controllare i giri/min della ruota. (Vede la pagina 74.)</li><li>3. Riposizionare il getto di manovra. Allentare le due viti per regolare il getto di manovra. (Vede la pagina 73.)</li></ol> <p><b>Promemoria:</b> La capacità di salire di Legend® dipende dalla forma della piscina e dalla pressione dell'acqua disponibile. Sale meglio in piscine senza angoli acuti o curve nel passaggio dal fondo alla parete della piscina.</p>
Tubi aggrovigliati.	<ol style="list-style-type: none"><li>1. Controllare la lunghezza del tubo di alimentazione che potrebbe essere troppo lungo. (Vede delle pagine 69-72.)</li><li>2. Controllare che il tubo di alimentazione galleggi in superficie. Controllare che i galleggianti del tubo siano disposti a intervalli regolari.</li><li>3. Girare gli snodi del tubo per vedere se ruotano liberamente e, in caso contrario, sostituirli.</li><li>4. Distendere il tubo di alimentazione sotto il sole per eliminare piegamenti acquisiti.</li></ol>
Il tubo di pulizia viene risucchiato nel pulitore.	<ol style="list-style-type: none"><li>1. Regolare il tubo di pulizia utilizzando la vite di regolazione collocata sul fondo dell'albero dello snodo e appena sotto al getto di manovra superiore. Girare la vite di regolazione in senso orario fino ad ottenere che il tubo di pulizia spazzi con movimento delicato.</li></ol>
La pompa booster è molto rumorosa.	<ol style="list-style-type: none"><li>1. Assicurarsi che il dispositivo di montaggio a parete sia installato nella parete della piscina correttamente.</li><li>2. Assicurarsi che il sistema di filtraggio della piscina stia lavorando correttamente.</li><li>3. Rivolgersi al tecnico dell'assistenza locale: possibile problema alla pompa booster.</li></ol>
Il tubo di pulizia rompe la superficie dell'acqua e spruzza intorno su finestre, sponde e astanti.	<ol style="list-style-type: none"><li>1. Regolare il tubo di pulizia in modo che spazzi con un movimento delicato.</li><li>2. Aggiungere altro peso al tubo di pulizia. (Vede la pagina 76.)</li></ol>

# LEGEND® — PARTI DI RICAMBIO

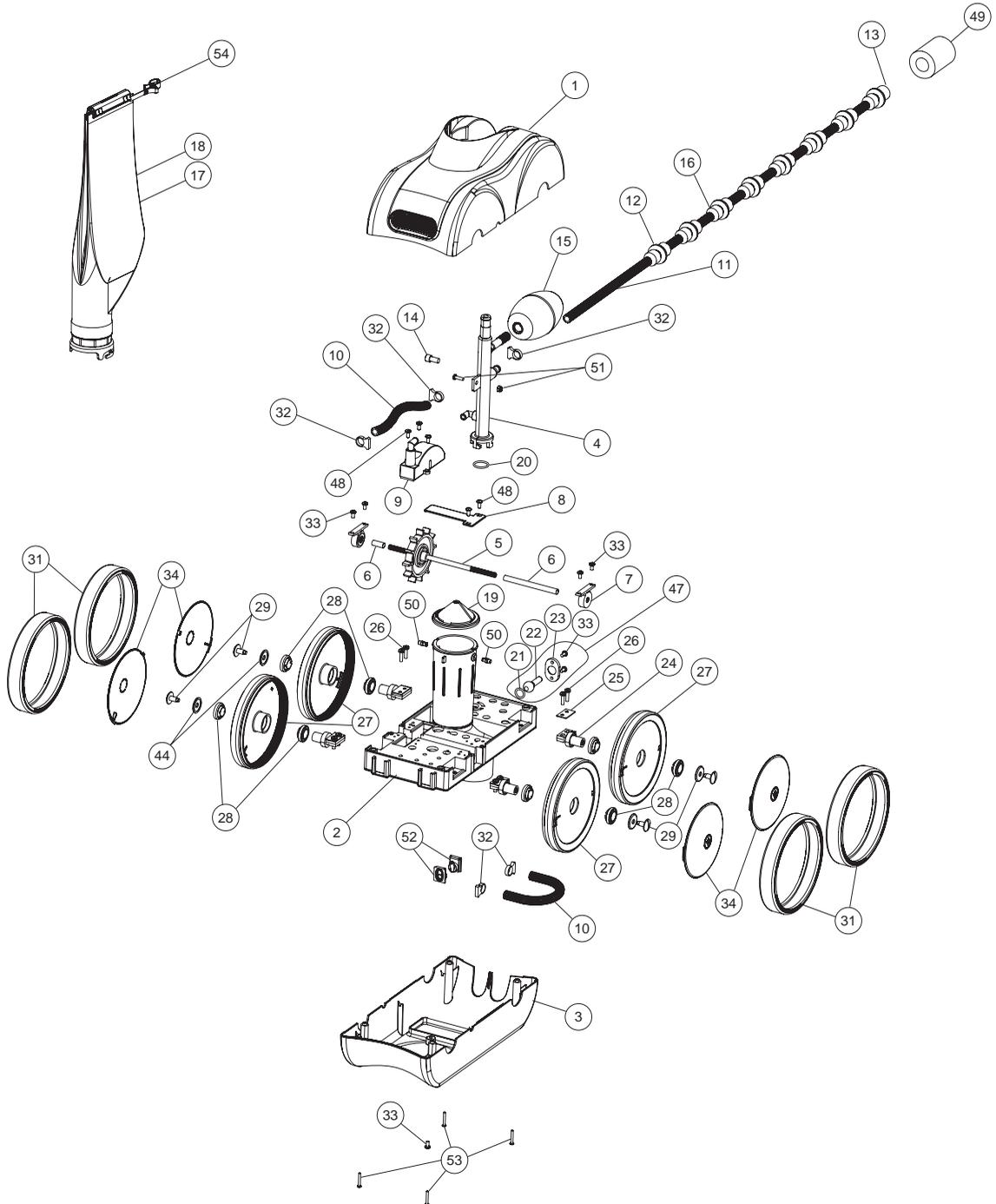
N. art.	N. parte	Descrizione	Q.tà
1	360003	Coperchio superiore	1
2	LLU145N	Telaio principale	1
2	360010	Telaio principale – Grigio	1
3	360004	Coperchio del fondo	1
3	360011	Coperchio del fondo – Grigio	1
4	G-L-LLU6	Albero di alimentazione senza guarnizione o-ring – Bianco	1
4	LLU6G	Albero di alimentazione senza guarnizione o-ring – Grigio	1
5	G-L-EC86	Albero di comando a turbina – completo	1
6	EC83	Distanziatori turbina	2
7	G-L-EC80	Cuscinetti turbina	2
8	G-L-EA40	Schermatura albero turbina	1
9	G-L-EC110	Copertura turbina con gomiti	1
10	G-L-EC120	Tubo turbina/Venturi lungo – 20 cm	2
10	LLC120G	Tubo turbina/Venturi lungo – 20 cm – Grigio	2
11	G-L-EB5L	Tubo di pulizia – completo	1
11	LLB5G	Tubo di pulizia – completo – Grigio	1
12	G-L-EB10	Tubo di pulizia – anello di usura	9
13	G-L-EB25	Tubo di pulizia – getto con collare	1
13	LLB25PM	Tubo di pulizia – getto con collare – Grigio	1
14	370198	Vite di regolazione del tubo di pulizia	1
15	G-L-EA20	Galleggiante con zavorra	1
15	LLA20G	Galleggiante con zavorra – Grigio	1
16	G-L-EH07	Tubo di pulizia – manicotto tubo	4
16	LLH07PM	Tubo di pulizia – manicotto tubo – Grigio	4
17	G-L-EU15	Borsa a maglie larghe (optional, non illustrata)	1
17	EU15G	Borsa a maglie larghe (optional, non illustrata) – Colletto Grigio	1
18	360002	Borsa a maglie strette – blocco meccanico	1
18	360009	Borsa a maglie strette – blocco meccanico – Grigio	1
18	G-L-EU16	Borsa a maglie strette – chiusura a velcro	1
18	EU16G	Borsa a maglie strette – chiusura a velcro – Grigio	1
19	G-L-EU9	Valvola detriti	1
20	G-L-EU7	Guarnizione o-ring per l'albero di alimentazione	1
21	G-L-E18	Guarnizione o-ring per il getto di manovra	1
22	G-L-EC130	Getto di manovra	1
23	G-L-EC135	Getto di manovra – piastra	1
23	LLC135G	Getto di manovra – piastra – Grigio	1
24	G-L-EC65	Asse – ruote grandi	4
25	G-L-EC70	Piastra dell'asse	4
26	370258Z	Vite dell'asse con rondella di bloccaggio	8
27	360006	Ruota senza cuscinetti	4
28	G-L-EC60	Cuscinetti ruota – soltanto	8
29	G-L-EC55	Vite ruota – plastica	4
29	LLC55PM	Vite ruota – plastica – Grigio	4
30	G-L-E10	Valvola di regolazione della pressione di condensazione	1
30	LL10PM	Valvola di regolazione della pressione di condensazione – Grigio	1
31	360007	Ruota – pneumatico in gomma	4
31	360012	Ruota – pneumatico in gomma – Grigio	4
32	G-L-EB15	Morsetto tubo	5
33	G-L-EC40	Vite	7
34	360005	Coperchio mozzo	4
34	360013	Coperchio mozzo – Grigio	4

# LEGEND® — PARTI DI RICAMBIO

N. art.	N. parte	Descrizione	Q.tà
35	G-L-LD50	Tubo di alimentazione – morbido - 3 m	1
35	LLD50PM	Tubo di alimentazione – morbido - 3 m – Grigio	1
36	G-L-ED10P	Galleggiante – tubo di alimentazione	10
36	LLD10PM	Galleggiante – tubo di alimentazione – Grigio	10
37	G-L-LD45	Tubo di alimentazione – Bianco - 3 m	2
37	LLD45PM	Tubo di alimentazione – Grigio - 3 m	2
38	G-L-ED05	Snodo – tubo di alimentazione	2
38	LLD05PM	Snodo – tubo di alimentazione – Grigio	2
39	G-L-LLU1	Tubo adattatore – Bianco - 22 cm	1
39	LLU1PM	Tubo adattatore – Grigio - 22 cm	1
40	G-L-ED15	Dado di raccordo – plastica – tubo di alimentazione	8
40	LLD15PM	Dado di raccordo – plastica – tubo di alimentazione – Grigio	8
41	G-L-EW22	Dispositivo di montaggio a parete	1
41	LLW22PM	Dispositivo di montaggio a parete – Grigio	1
41	E25	Valvola regolazione pressione – Bianco	1
41	LL25PM	Valvola regolazione pressione – Grigio	1
42	G-L-E24	Schermatura – dispositivo di montaggio a parete	1
43	G-L-E23	Adattatore a disconnessione rapida	1
43	LL23PM	Adattatore a disconnessione rapida – Grigio	1
44	G-L-EC64	Ruota – rondella di plastica	4
–	G-L-EH09C	Peso per tubo di pulizia (optional, non illustrato)	1
46	G-L-EG15	Ingranaggi per la valvola di regolazione della pressione di condensazione	1
47	G-L-EC131	Kit riparazione getto di manovra – include: G-L-EC130/-EC135/-E18	1
47	360014	Kit riparazione getto di manovra – include: G-L-EC130/-LLC135/-E19	1
48	G-L-EA30	Vite per G-L-EA40/-EC110	5
49	370017	Tubo di pulizia – lavatore	1
50	G-L-EU147	Montanti tubo a vuoto giunzione a scatto	2
50	LLU147G	Montanti tubo a vuoto giunzione a scatto – Grigio	2
51	G-L-EU79	Dadi & bulloni – albero di alimentazione per il tubo a vuoto	1
52	G-L-LLU8	Getti Venturi	2
52	LLU8G	Getti Venturi – Grigio	2
53	G-L-EU80	Vite – copertura in alto e al fondo	4
54	360008	Tubo staffa per 360002	1
54	360015	Tubo staffa per 360009 – Grigio	1



# LEGEND® — PARTI ILLUSTRATE



*This page is blank.  
Cette page est blanche.  
Esta página está en blanco.  
Questa pagina è vuota.*

*This page is blank.  
Cette page est blanche.  
Esta página está en blanco.  
Questa pagina è vuota.*



**SAVE THESE INSTRUCTIONS  
CONSERVEZ LES INSTRUCTIONS  
GUARDE ESTAS INSTRUCCIONES  
CONSERVARE QUESTE ISTRUZIONI**



© 2011 Pentair Water Pool and Spa, Inc. All rights reserved.

P/N 370270 REV. D 04/04/11