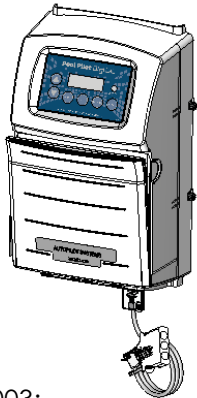


TOTAL CONTROL

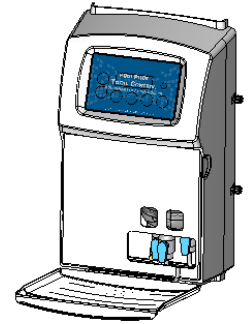
Total Control



75003:
Salt Chlorine Generator

Total Control Components

PART #	DESCRIPTION
75001	Pool Chemistry Controller
75003	Salt Chlorine Generator with Eng, Esp, Fra, and Ita Languages
75008	Acid Feeder Relay Box (optional)



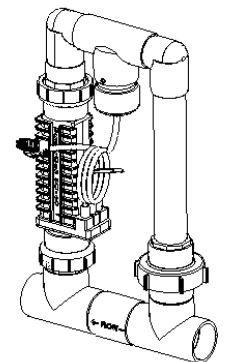
75001:
Pool Chemistry Controller

Choice of Stenner Pump/Tank

PART #	DESCRIPTION
75004	Stenner Pump/Tank 120V/60Hz - 15 Gal
75005	Stenner Pump/Tank 220V/60Hz - 15 Gal
75006	Stenner Pump/Tank 230-250V/50Hz - 15 Gal
75009	Stenner Pump/Tank 230-250V/50Hz - 30 Gal
75010	Stenner Pump/Tank 220V/60Hz - 30 Gal
75012	Stenner Pump/Tank 120V/60Hz - 30 Gal



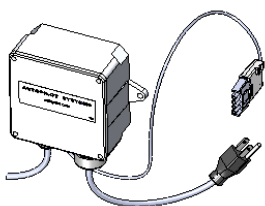
Stenner Pump/Tank



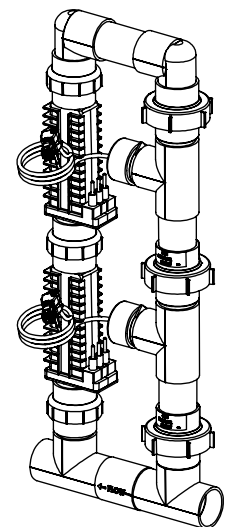
Single System Manifold

Single System Manifold Types

PART #	DESCRIPTION	PAGE #
94105	Manifold Assy with RC35/22 Cell	64
94107	Manifold Assy with RC42 Cell	64
94113	Manifold Assy with RC52 Cell	64
94115C	Manifold Assy with CC15-FF Cell	64
94105M	Manifold Assy with RC35/22 Cell and Metric Adapters	64
94107M	Manifold Assy with RC42 Cell and Metric Adapters	64
94113M	Manifold Assy with RC52 Cell and Metric Adapters	64
94115CM	Manifold Assy with CC15-FF Cell and Metric Adapters	64
APK0006	Spacer Cell for Maintenance	67



75008:
Acid Feeder Relay Box
(Note: Required if 75003
internal relay is used for
another function, such
as pump control)



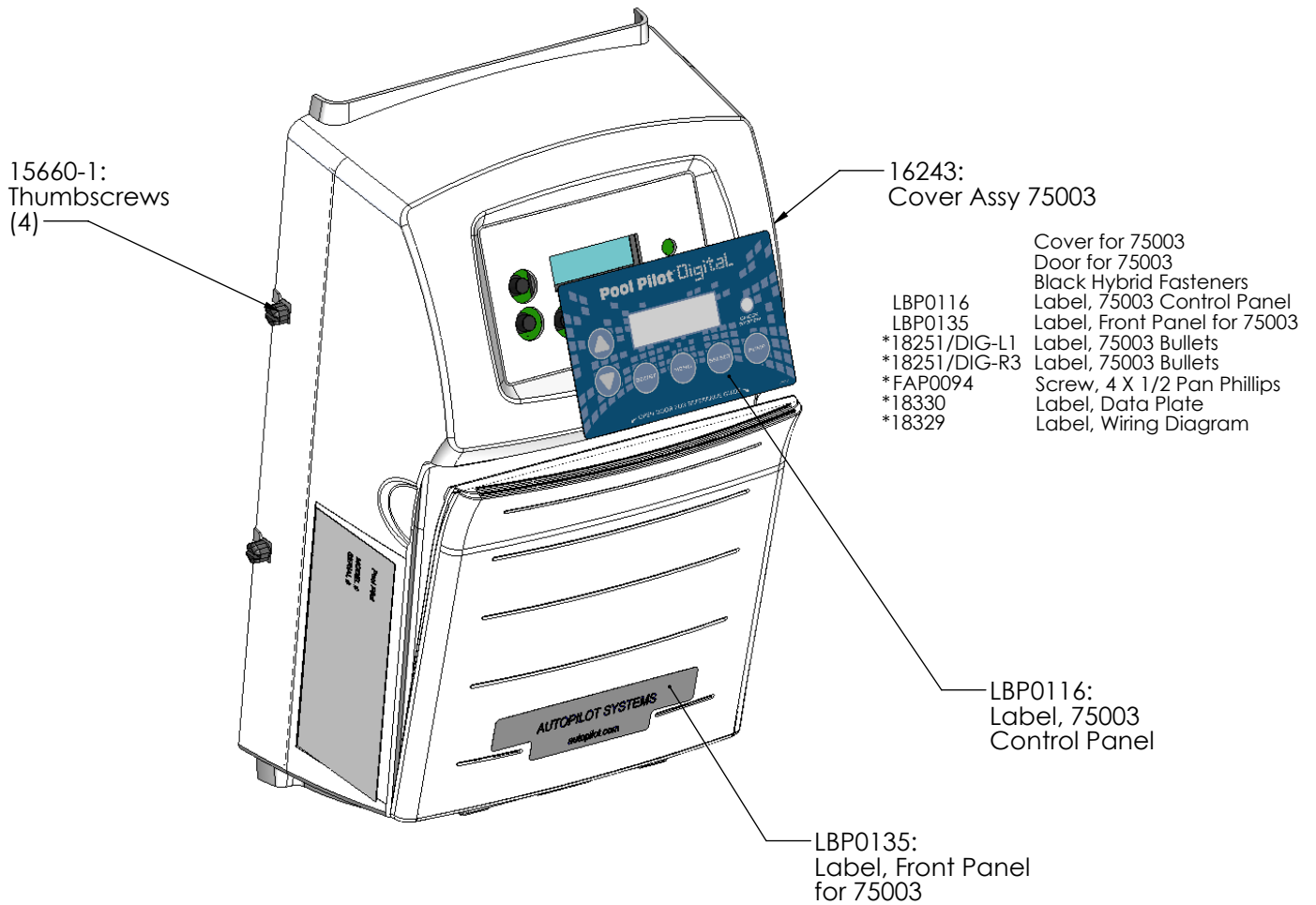
Dual System Manifold

Dual System Manifold Types

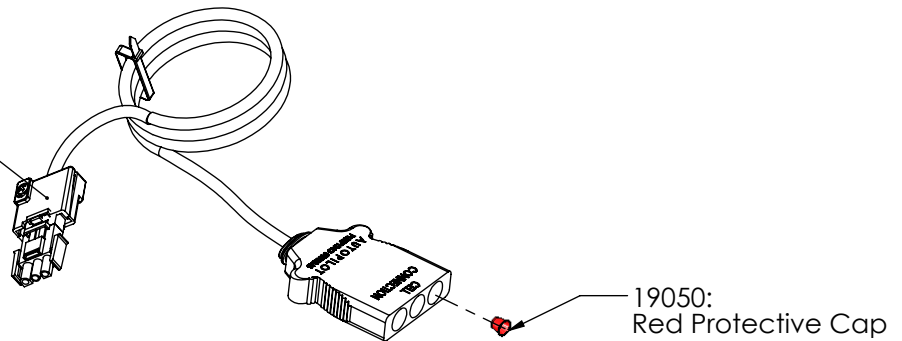
PART #	DESCRIPTION	PAGE #
941-215C-A	Manifold Commercial	65
938-SC	Spacer Cell	67

**Total Control
75003**

75003 Power Supply Parts



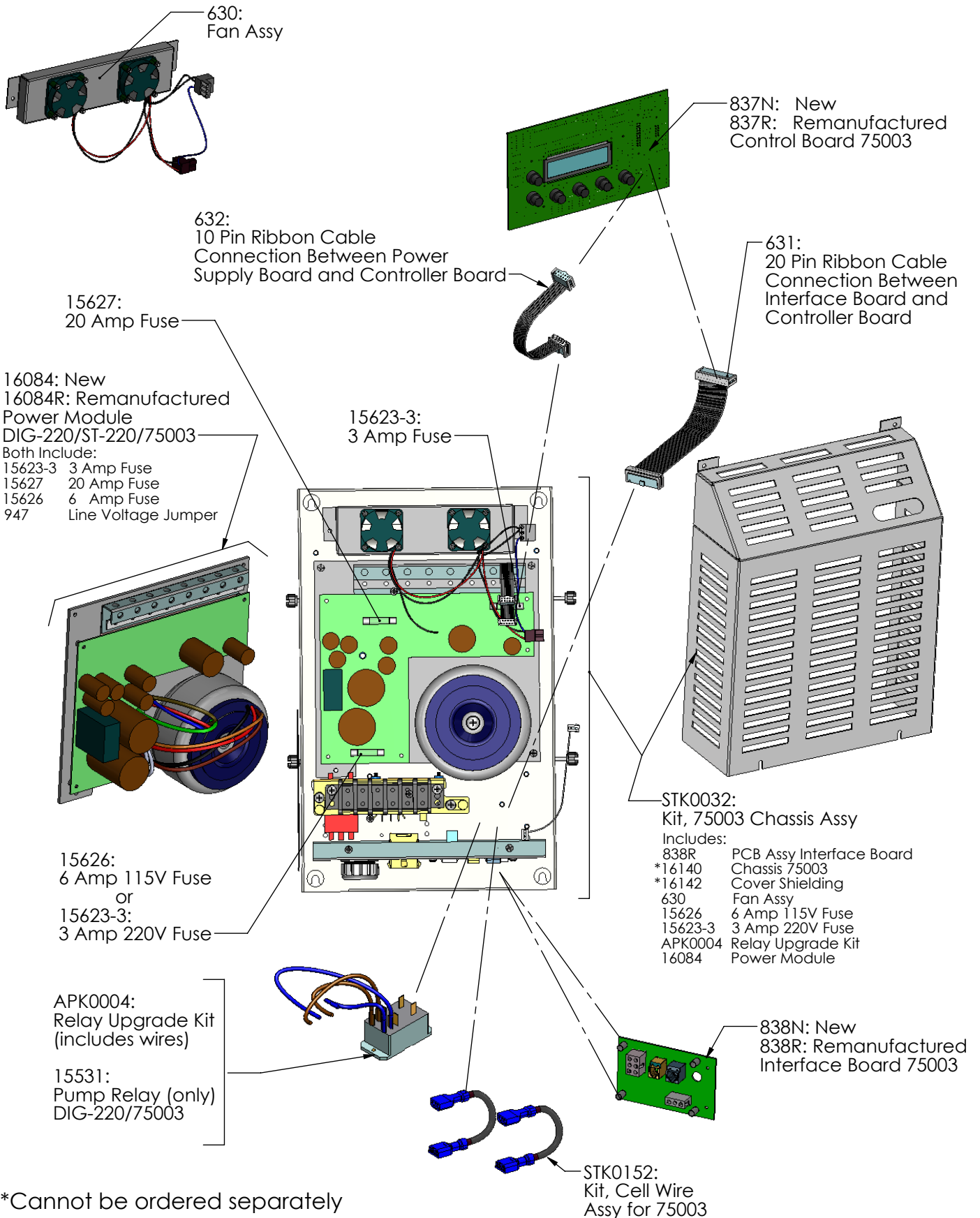
952:
Cell Cord 12 ft with 3 Pin Mate-n-Lock Connector
Included with 75003
or
952-24:
Cell Cord 24 ft



*Cannot be ordered separately

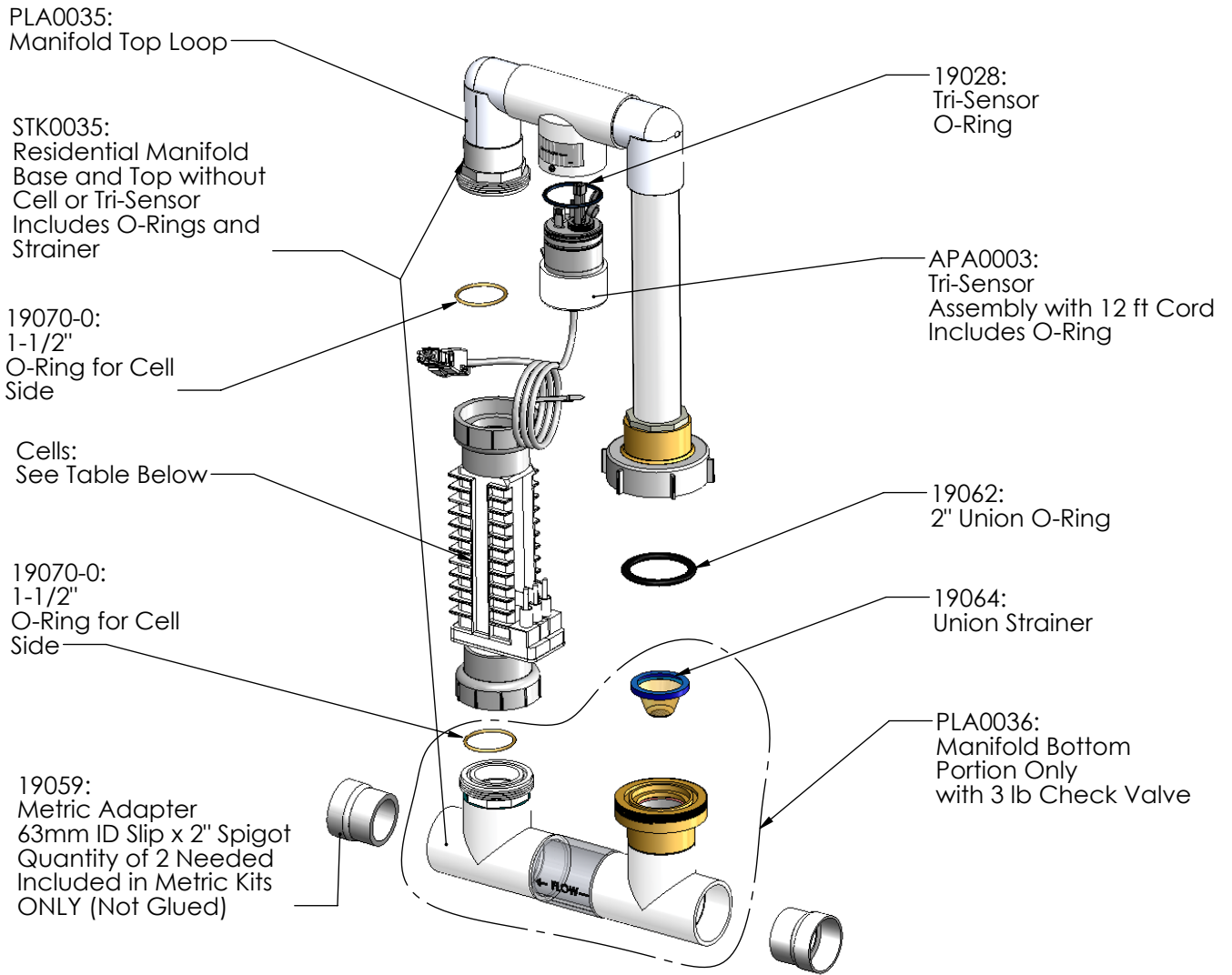
75003 Power Supply Parts

**Total Control
75003**



*Cannot be ordered separately

SINGLE SYSTEM MANIFOLDS

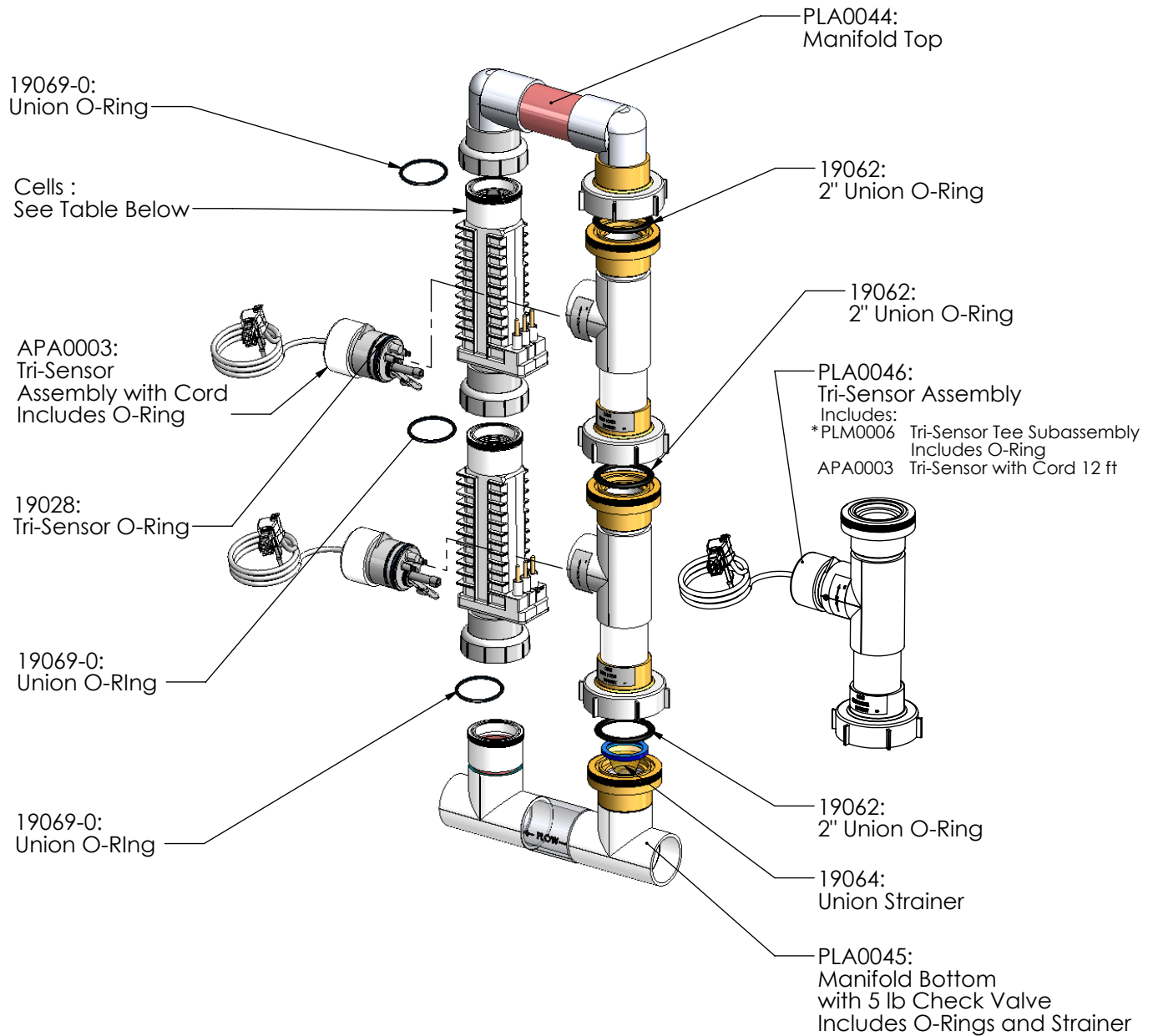


PART #	DESCRIPTION	PAGE
94105	Manifold Assy with RC35/22 Cell	66
94107	Manifold Assy with RC42 Cell	66
94113	Manifold Assy with RC52 Cell	66
94115C	Manifold Assy with CC15-FF-Cell	66
94105M	Manifold Assy with RC35/22 Cell and Metric Adapters	66
94107M	Manifold Assy with RC42 Cell and Metric Adapters	66
94113M	Manifold Assy with RC52 Cell and Metric Adapters	66
94115CM	Manifold Assy with CC15-FF Cell and Metric Adapters	66
APK0006	Spacer Cell for Maintenance	67

MULTIPLE SYSTEM MANIFOLD

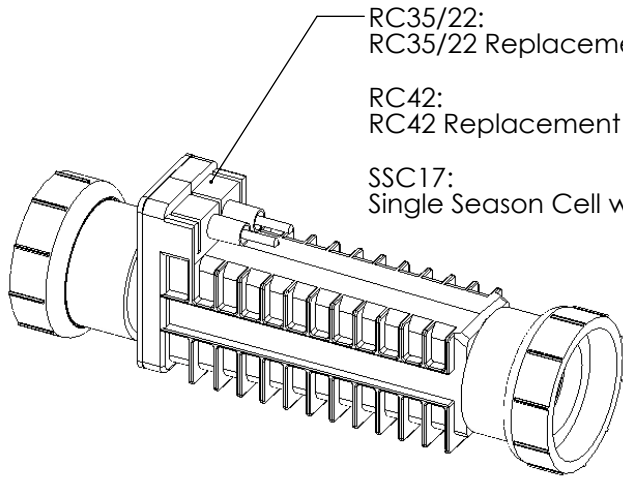
For Use With Dual Power Supply Systems

Total Control



PART #	DESCRIPTION	PAGE #
941-215C-A	Manifold Commercial with 2 CC15-MF Cells	66
938-SC	Spacer Cell for Maintenance	67
To convert from dual to triple system, add PLA0046, CC15-MF and Power Supply of choice, ST-220/DIG-220 /75003, Typically ST-220 is used.		

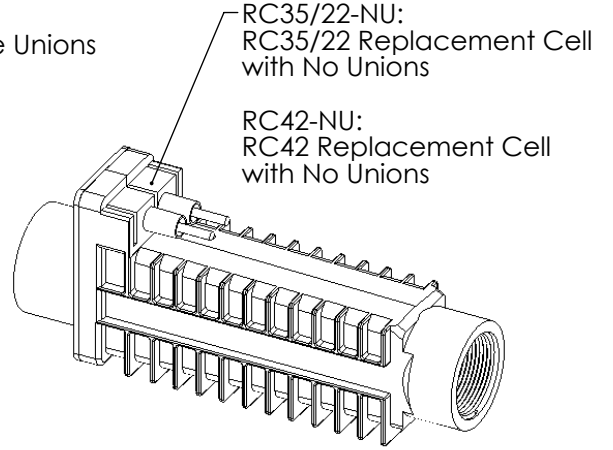
CELL OPTIONS



RC35/22:
RC35/22 Replacement Cell with Female Unions

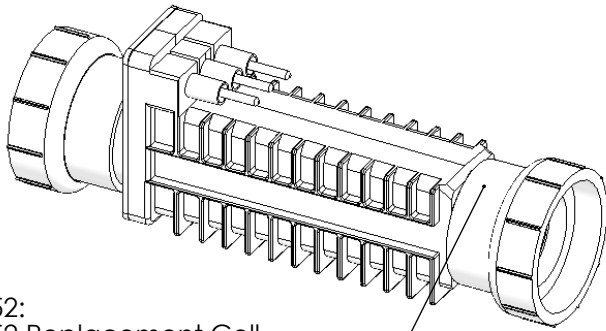
RC42:
RC42 Replacement Cell with Female Unions

SSC17:
Single Season Cell with Female Unions



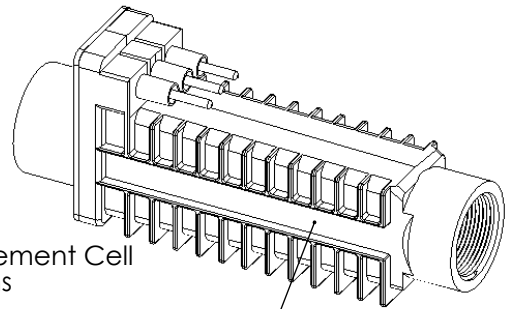
RC35/22-NU:
RC35/22 Replacement Cell
with No Unions

RC42-NU:
RC42 Replacement Cell
with No Unions



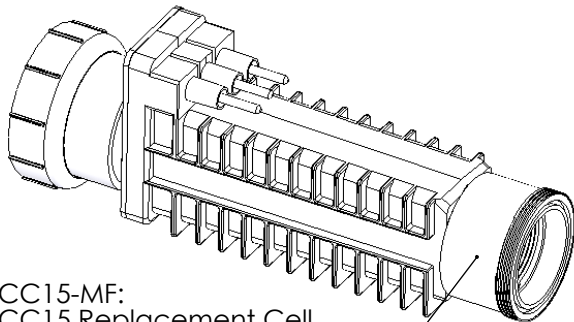
RC52:
RC52 Replacement Cell
with Female Unions

CC15-FF:
CC15 Replacement Cell
with Female Unions
(Commercial)
for Single Cell Manifold

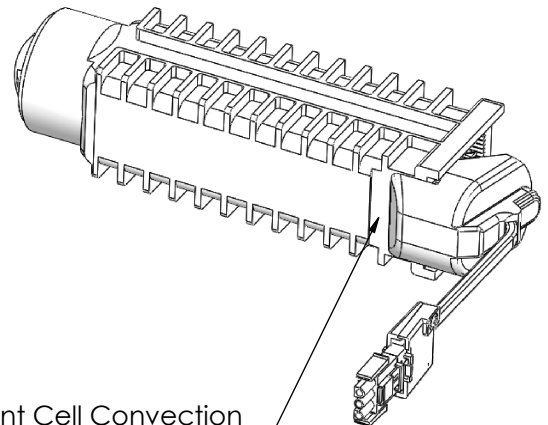


RC52-NU:
RC52 Replacement Cell
with No Unions

CC15-NU:
CC15 Replacement Cell
with No Unions (Commercial)



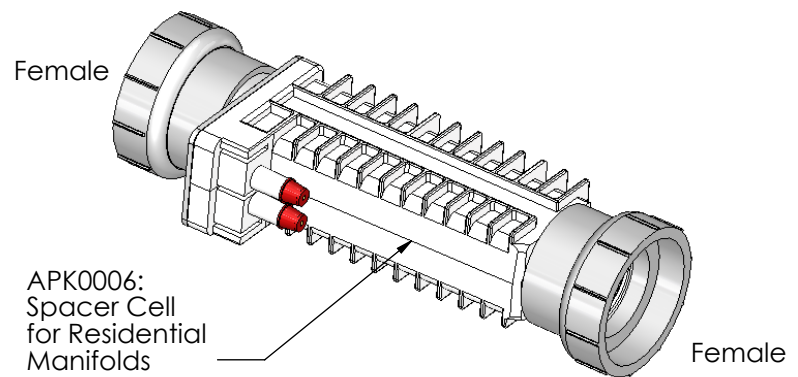
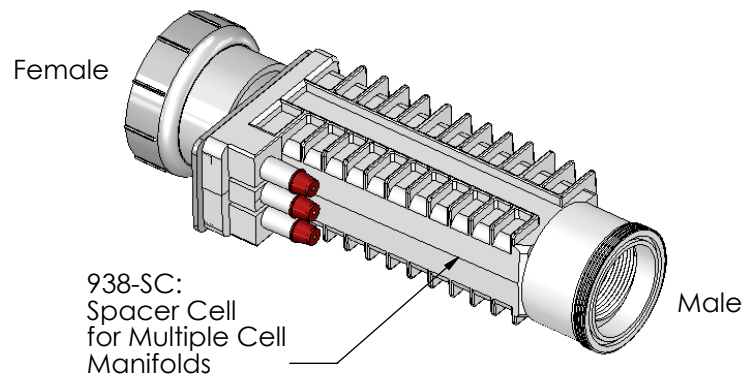
CC15-MF:
CC15 Replacement Cell
Male/Female Unions
(Commercial)
for Multiple Cell Manifold



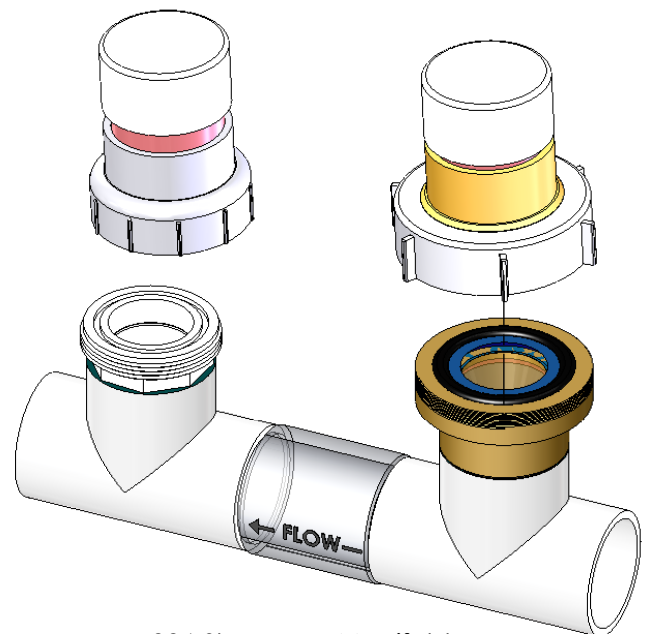
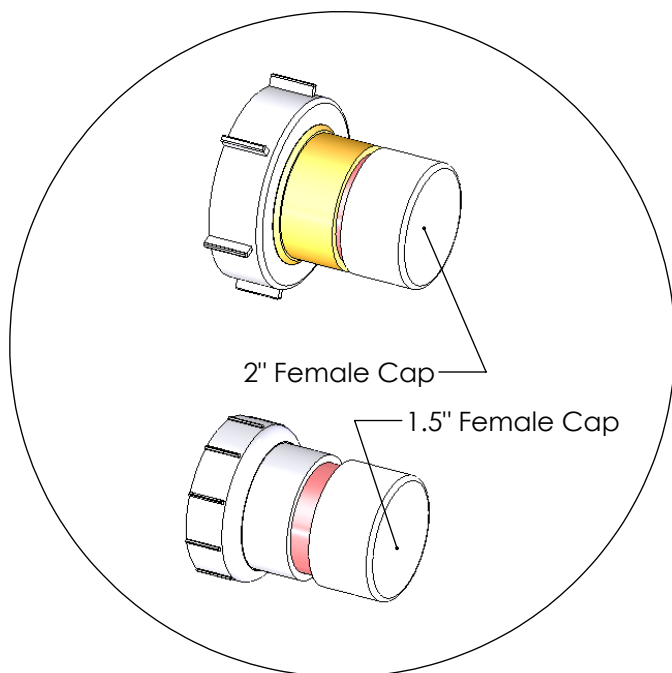
CC15-ML-CC25:
CC15 Replacement Cell Convection
(Mate-N-Lock)
25 ft Cord

MANIFOLD ACCESSORIES/TOOLS

Total Control

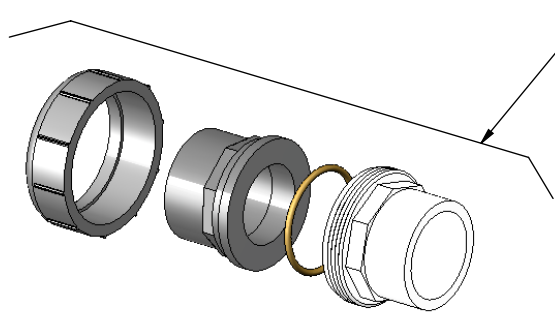


996:
Cap Kit

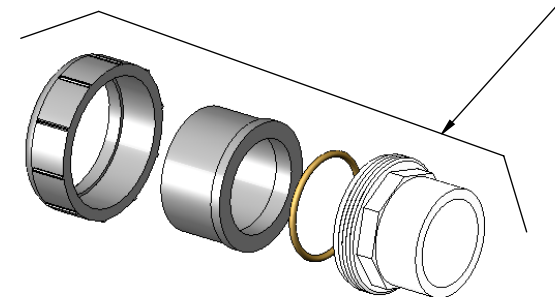


996 Shown on Manifold
Base Assembly

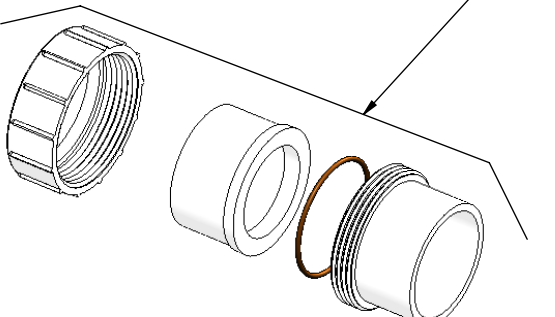
Total Control MANIFOLD ACCESSORIES/TOOLS



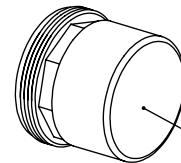
19073:
Union Kit
Includes:
312-A Union Nut
312-F Union Half, 2" Spigot/1.5" Slip X Female Union
19070-0 1-1/2" O-Ring
312-C Union Half, 1.5" Slip/2" Spigot x Male Thread Union



19070:
Union Kit
Includes:
312-A Union Nut
312-B Union Half, 2" Slip x Female Union
19070-0 1-1/2" O-Ring
312-C Union Half, 1.5" Slip/2" Spigot x Male Thread Union



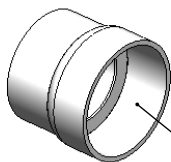
PLS2627:
Union Kit
Includes:
312-A Union Nut
312-B Union Half, 2" Slip x Female Union
312-D Union Half, 2" Slip x Male Thread Union (with O-Ring 19069-0)
OR
PLS0001:



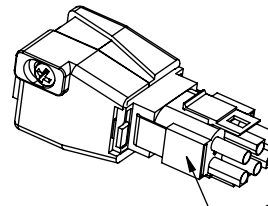
PLA0113:
Cell Cleaning
Kit (Male)



STK0048:
Cracked Union Nut
Service Kit



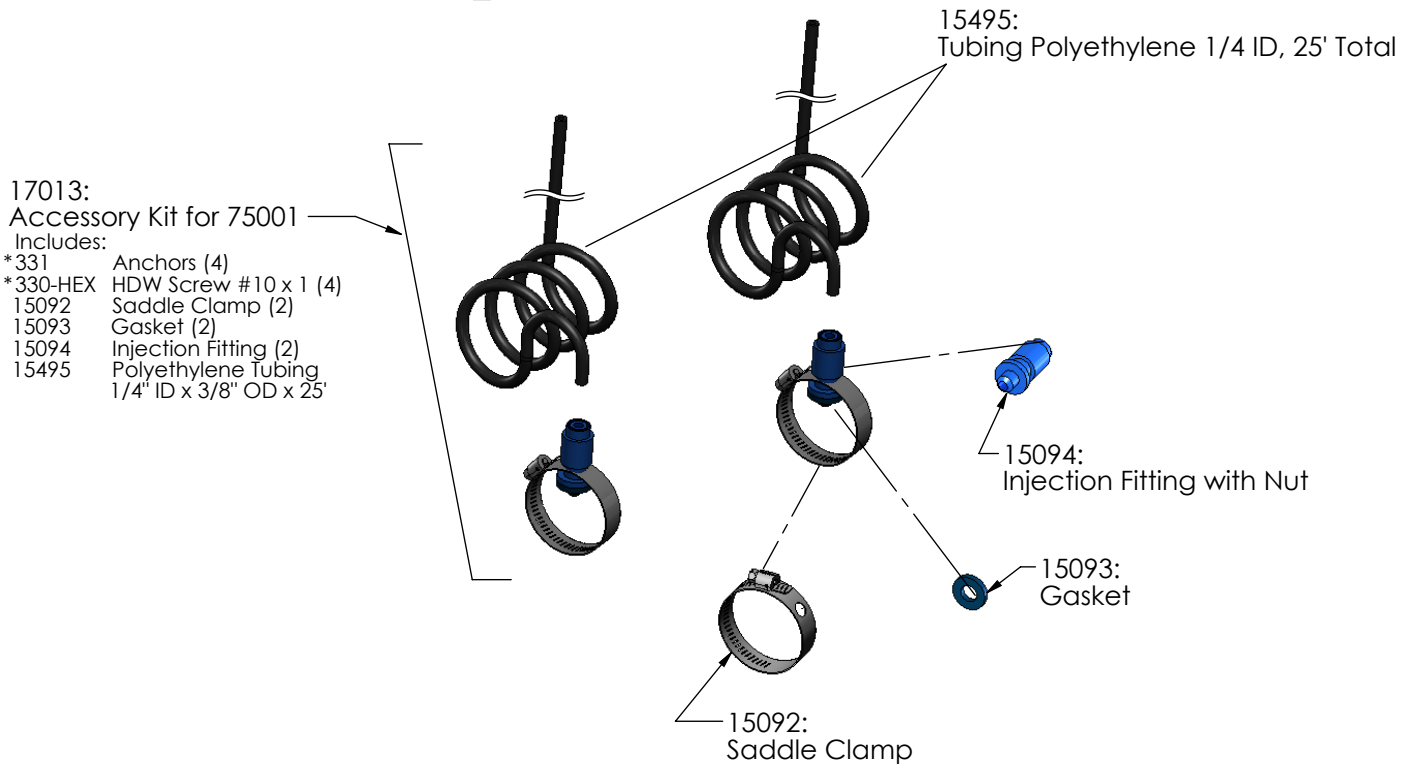
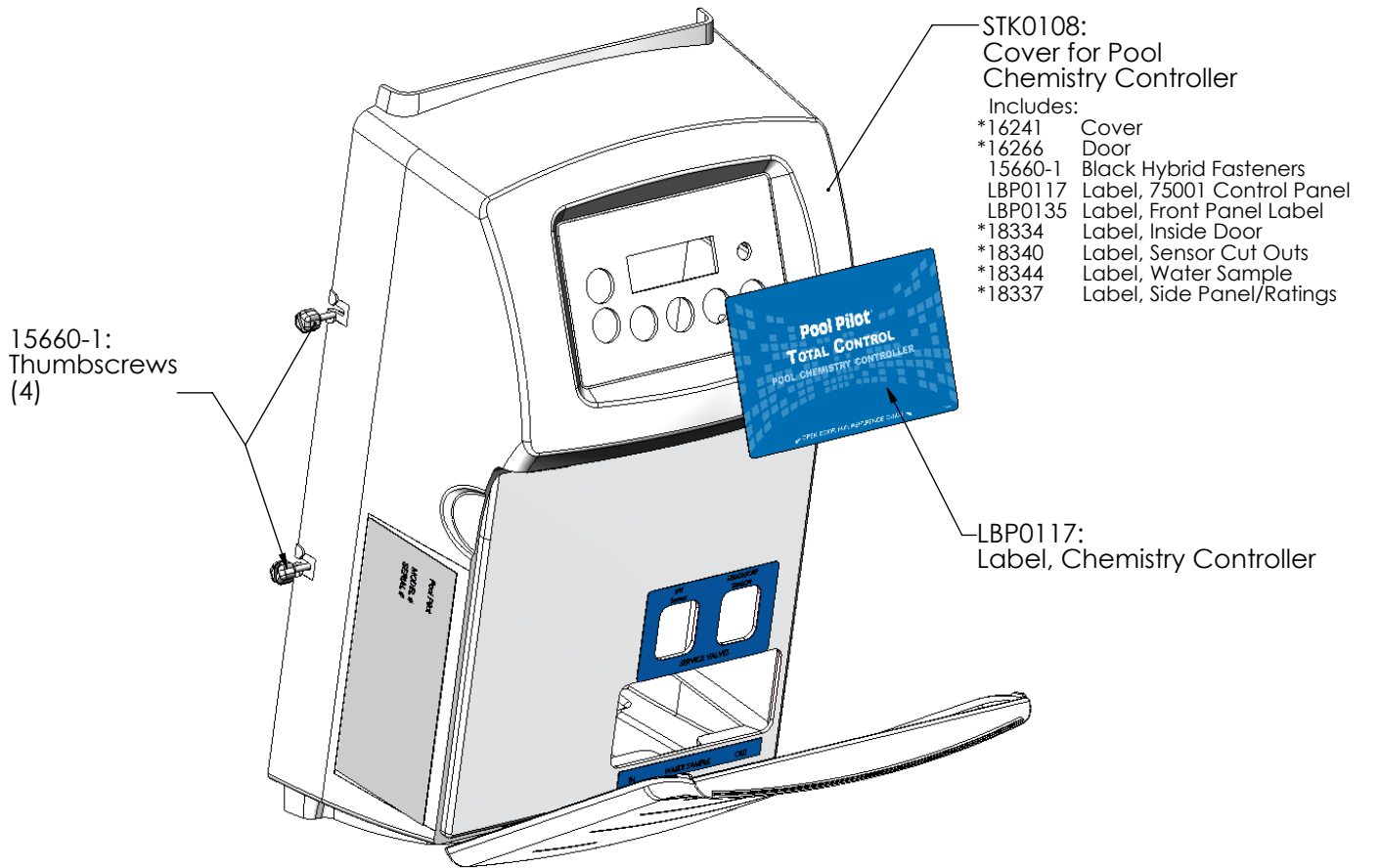
19059:
Metric Adapter
63mm ID Slip x 2" Spigot
Quantity of 2 Needed
Included in Metric Kits
ONLY (Not Glued)



986-ST:
Tri-Sensor Simulator
(Simulates APA0003)

75001 Pool Chemistry Controller Parts

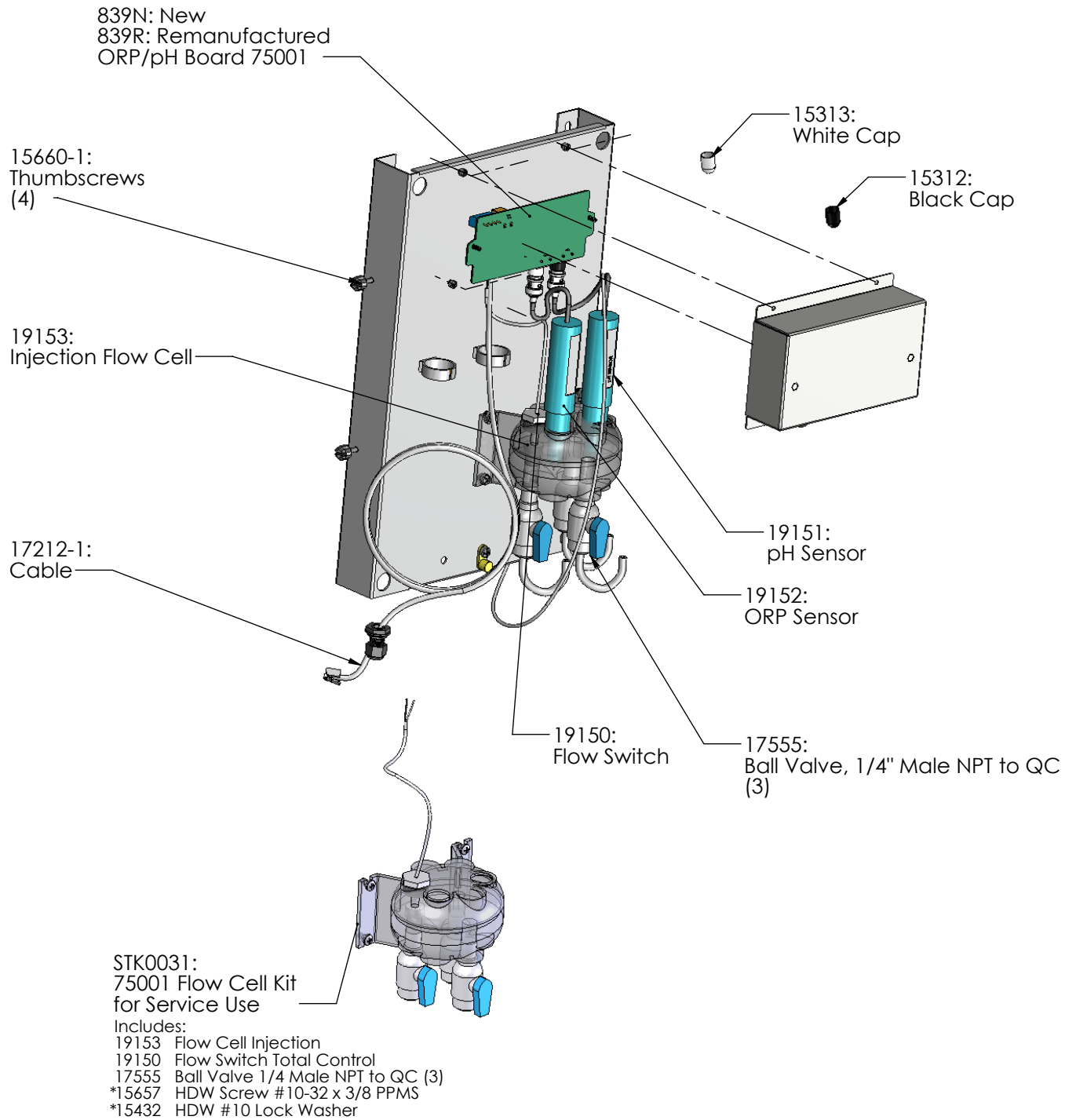
**Total Control
75001**



*Cannot be ordered separately

**Total Control
75001**

75001 Pool Chemistry Controller Parts



*Cannot be ordered separately

STENNER PUMP SYSTEMS

Total Control
Stenner



Stenner Pump Systems

PART #	DESCRIPTION
75004	Stenner Pump/Tank 120V/60 Hz -15 Gallons
75005	Stenner Pump/Tank 220V/60 Hz - 15 Gallons
75006	Stenner Pump/Tank 230-250V/50Hz - 15 Gallons
75009	Stenner Pump/Tank 230-250V/50Hz - 30 Gallons
75010	Stenner Pump/Tank 220V/60Hz - 30 Gallons
75012	Stenner Pump/Tank 120V/60Hz - 30 Gallons
STK0055 is included with 75004, 75005, 75006, 75009 and 75010. Order STK0071 for replacement equivalents, See pg. 72	

STK0055:
Stenner Pump Installation Kit
Includes:
Connecting Nuts 1/4"
Ferrules
Injection Fitting
Suction/Discharge Tubing 1/4"-20 ft
Strainer
Peristaltic Tube-Sanoprene-#1

Connecting Nut 1/4"



Suction/Discharge Tubing 1/4"



Injection Fitting



Strainer



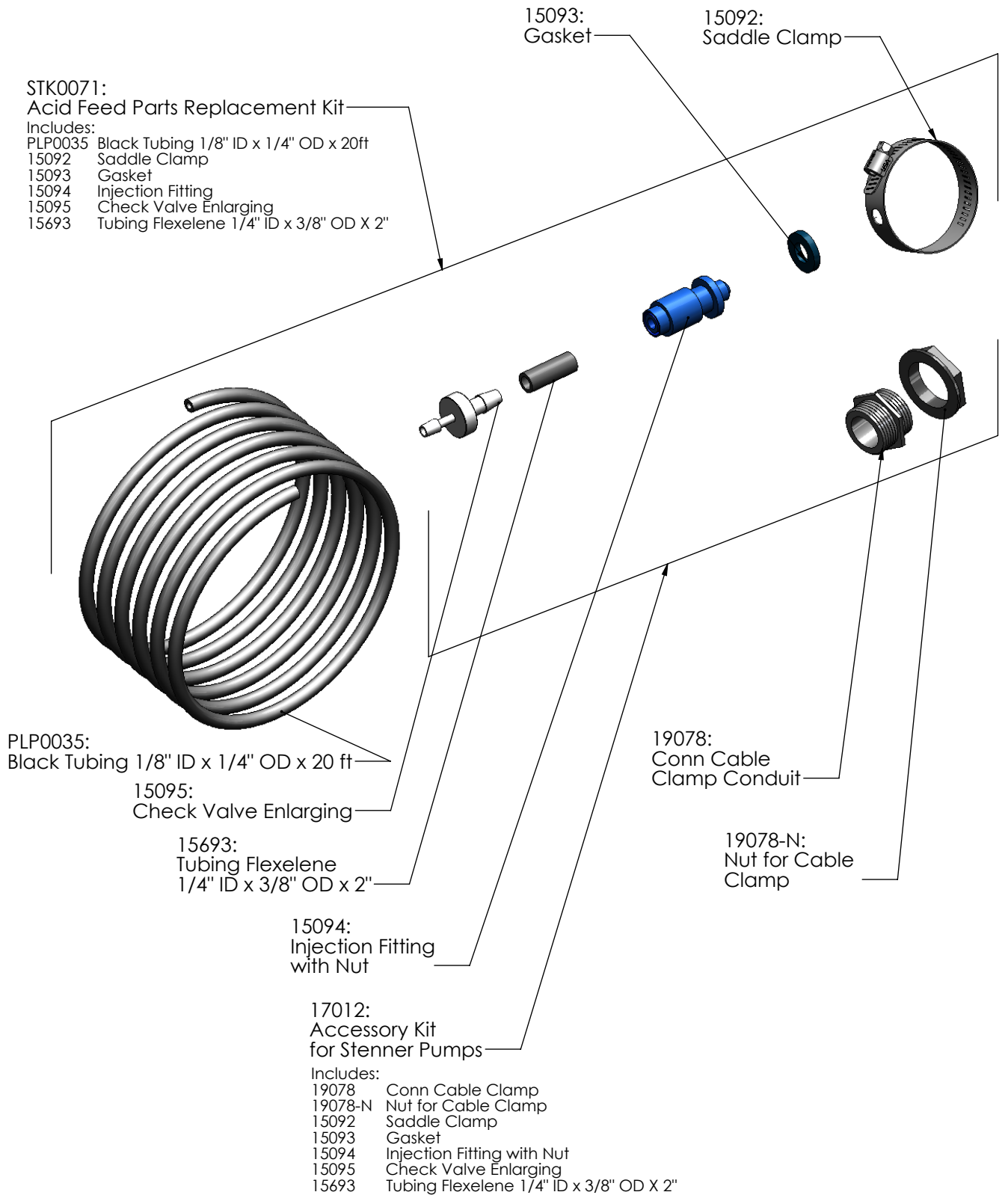
#1 Sanoprene Tube



Ferrules



STENNER SYSTEM ACCESSORIES



STENNER SYSTEM ACCESSORIES

Total Control
Stenner



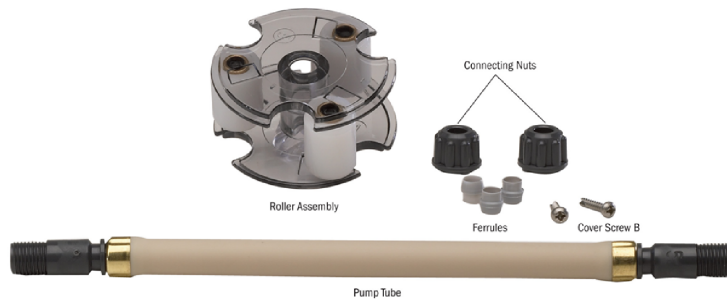
Stenner Motors and Pumps

PART #	DESCRIPTION
75000	45MP1 PUMP FX 25PSI 3GPD 120V/60HZ 1/4B
75027	45MP1 PUMP FX 25PSI 3GPD 220V/60HZ 1/4B
75028	45MP1 PUMP FX 25PSI 3GPD 230V/50HZ 1/4B
75029	45MP3 PUMP FX 25PSI 22GPD 220V/60HZ 1/4B



M100A6:
Stenner 45MP Gear Motor 120V/60Hz 10' Power Cord
M101A6:
Stenner 45MP Gear Motor 220V/60Hz 10' Power Cord
M102A6:
Stenner 45MP Gear Motor 230V/50Hz 10' Power Cord

STK0088:
Stenner Pump #1 Head Service Kit



75018:
Stenner Pump #1 Head Replacement

