

Features and Benefits

- Thermoplastic design eliminates process and atmospheric corrosion.
- Pressure rating: 235 psi, non-shock water at 73° F, ½ - 2", 150 psi for 2-1/2 - 4". Standard Port in sizes ½, ¾, 1, 2, & 3". Full Port in sizes 1-1/2, 2-1/2, and 4".
- NSF-61 Product also Certified to NSF/ANSI 61, Annex G and is in compliance with California's Health & Safety Code Section 116875 (commonly known as AB1953) and Vermont Act 193.
- Socket dimensions meet ASTM requirements. PVC: D-2467, D-2464, CPVC: F-439, F437
- Floating ball design for positive seal.
- True Union design permits easy removal of valve body for service.
- Blocked carrier. Handle can be removed and used as a tool to remove blocking carrier during valve disassembly. The carrier is threaded into the body and can be tightened to adjust for seat wear. Valve cartridge must be removed from system for maintenance.



For fluid handling only. Do not use with compressed air or gas.



The Commercial (050N) Series answers the need for a high quality, economically priced, true union ball valve for use in industrial, water treatment, pool/spa, and commercial plumbing applications. Available in 1/2 – 4" sizes.



½ - 2"

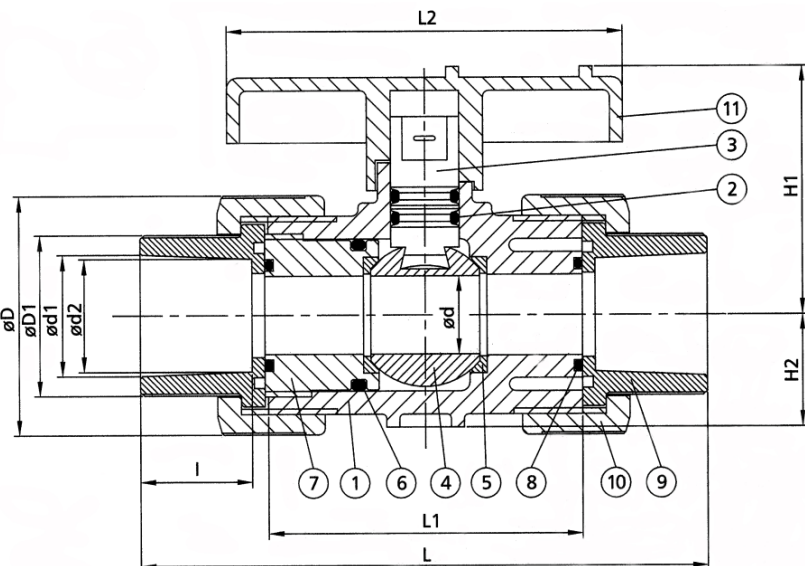


2-1/2 – 4"

NOTE: For Full Port Sch 80, larger sizes, more material options, or actuation, see the Colonial Industrial Series Full Block True Union Ball Valve.

Rev 110515 for PVC/FKM part numbers

1/2 – 2-1/2" Sizes include both Socket and Threaded End Connectors. Shaded items are special order. Call Customer Service for pricing and lead time. Non-shaded items are stocked.



Size	PVC/EPDM	PVC/FKM	CPVC/EPDM	CPVC/FKM
1/2	V07050N	V07052N	V07053N	V07054N
3/4	V08050N	V08052N	V08053N	V08054N
1	V10050N	V10052N	V10053N	V10054N
1-1/4	V14050N	V14052N	V14053N	V14054N
1-1/2	V17050N	V17052N	V17053N	V17054N
2	V20050N	V20052N	V20053N	V20054N
2-1/2	V27050N	V27052N	V27053N	V27054N
	SxS	SxS	SxS	SxS
3	V30050N	V30052N	V30053N	V30054N
			TxT	
			V30153N	
	SxS	SxS	SxS	SxS
4	V40050N	V40052N	V40053N	V40054N
			TxT	
			V40153N	

Dimensions (Inch)

	1/2"	3/4"	1"	1-1/4"	1-1/2"	2	2-1/2"	3"	4"
d1	0.8480	1.058	1.325	1.670	1.911	2.375	2.888	3.513	4.518
d2	0.8358	1.046	1.310	1.655	1.894	2.375	2.868	3.492	4.490
I	0.8748	0.998	1.125	1.249	1.375	1.500	1.749	1.875	2.250
D	1.8223	2.185	2.626	3.228	3.877	4.750	5.511	6.417	8.858
D1	1.2320	1.468	1.755	2.118	2.519	2.992	3.602	4.232	5.728
d	0.5120	0.709	0.906	1.181	1.496	1.880	2.401	2.716	3.897
Port*	S	S	S	S	F	S	F	S	F
L	4.4880	5.196	5.669	6.692	6.929	8.149	10.862	11.970	13.070
L1	2.3620	2.874	3.110	3.464	3.740	4.488	6.220	5.563	6.929
L2	3.0300	3.779	4.330	4.990	5.629	5.787	7.086	8.858	9.862
H1	1.8890	2.244	2.756	2.952	3.434	4.448	5.020	5.708	7.165
H2	0.8070	1.023	1.299	1.535	1.653	2.000			

*Sch 80 Port S=Standard, F= Full

NO.	Part	Material	Quantity
1	Body	PVC, CPVC	1
2	Stem O-Ring	EPDM, FKM	2
3	Stem	PVC, CPVC	1
4	Ball	PVC, CPVC	1
5	Seat Seal	PTFE Teflon®	2
6	Carrier O-Ring	EPDM, FKM	1
7	Seal Carrier	PVC, CPVC	1
8	Union O-Ring	EPDM, FKM	2
9	End Connector	PVC, CPVC	2
10	Union Nut	PVC, CPVC	2
11	Handle	ABS, PP	1

Teflon® is a registered trademark of DuPont Dow Elastomers.

Temperature De-rating:

Temp (°F)	PVC	CPVC
73	1.00	1.00
80	0.88	0.96
90	0.75	0.92
100	0.62	0.85
110	0.50	0.77
120	0.40	0.70
130	0.30	0.62
140	0.22	0.55
150	NR	0.47
160	NR	0.40
170	NR	0.32
180	NR	0.25
200	NR	0.18
210	NR	0.15
220	NR	NR