

JXi™ HEATER
POOL & SPA HEATER



Jandy®

AN ULTRA-COMPACT AND ENERGY-EFFICIENT GAS POOL HEATER

NEW! ASME Certified Models Now Available



JXi™
POOL & SPA HEATER

THE TOTAL PACKAGE

The JXi™ heater sets the standard in pool and spa heating technology with its ultra-compact size, lightweight design, and energy-efficiency options that save on electrical costs. Providing extreme installation flexibility, this high-efficiency, low-NOx heater is a top choice for pool professionals and pool owners everywhere and is available in both natural and propane gas models.

ENERGY EFFICIENT

84% thermal efficiency rating and **low-NOx** design surpasses strict DOE Energy Efficiency requirement.¹ Select JXi with VersaFlo™ or add the optional VersaFlo Accessory Kit to reduce energy costs even more.



FASTEST INSTALLATION

Pro-driven features for the fastest, most customer-friendly installation include:

Best Retrofit Option

Plumbing flexibility for quick Mastertemp® and Max-E-Therm® replacement that requires no plumbing adjustments.

Heater Shown with
Optional VersaFlo
Integrated Bypass*

*Not available with ASME models



Flexible Installation

Top can be easily removed for increased accessibility and rotated 180 degrees so you never need to rotate headers. Also includes a flip up electrical panel for convenient setup and service.

Major
competitor
model*



Ultra-Compact Lightweight Design

Easy to store, transport, and install, JXi™ easily fits on a 2' x 2' pad and is 38% lighter with a 28% smaller footprint.

*Compared to major competitor models

1. 84% Thermal Efficiency applies to 260K and 400K BTU Models with Copper Heat Exchangers, 200K BTU and all models with Cupronickel heat exchangers are 83%, see back page for complete model listing.

Versa Plumb® - Ready

Installation in the Versa Plumb system* reduces plumbing costs and increases energy efficiency, all using the smallest footprint available.

*Sweep elbow included in all JXi models



ASME Certified Models Now Available*

JXi™ models are available with robust heat exchanger tubes and corrosion resistant bronze headers to meet the high stresses of commercial installations.

*Not available with VersaFlo Integrated Bypass technology



SAVE EVEN MORE WITH OPTIONAL VERSAFLO™ INTEGRATED BYPASS*

*VersaFlo not available on ASME certified models.

Here's How:

- » The heater is typically only used 3.5% of average annual pump runtime, the other 96.5% of the time the heat exchanger can be bypassed.
- » JXi with VersaFlo activates the built-in flow bypass valve based on call for heat to avoid running water through the heat exchanger when water does not need to be heated.
- » When used with a variable-speed pump, JXi with VersaFlo requires considerably less electricity, thereby providing for significantly reduced electricity costs.**
- » VersaFlo Integrated Bypass is available on select models or can be easily added to any JXi heater in the field.***

Versus similar system without VersaFlo. *See JXIVFKIT installation manual for more details.



5-YEAR HEAT EXCHANGER WARRANTY

JXi heaters with VersaFlo factory installed receive an industry leading 5-Year standard warranty on the heat exchanger.

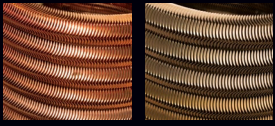


Bypass Mode



Heat Mode

ADDITIONAL FEATURES



Weld-free combustion chamber for optimal corrosion resistance, models available with copper or cupronickel heat exchangers.



Venturi-driven air and gas mix for enhanced performance.



Reliable, balanced flow and temperature control with thermal regulator valve.

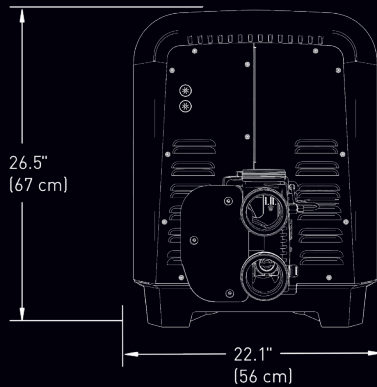


Differentiated limit switches meet applicable product safety standards.

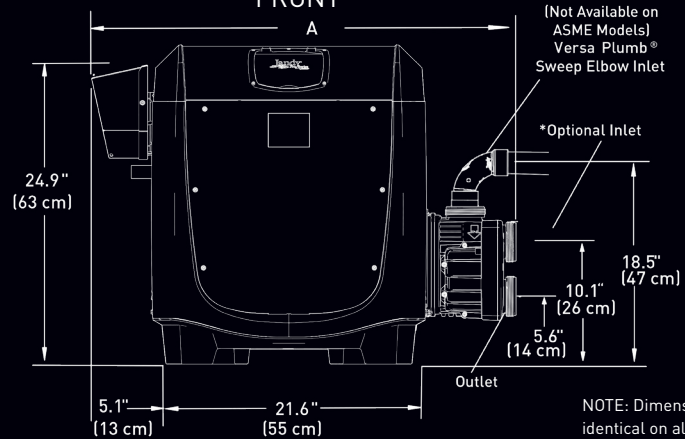


Corrosion-resistant temperature sensors for reliable operation.

INLET SIDE



FRONT



AVAILABLE IN THE FOLLOWING MODELS

Model #	Model # with VersFlo	Firing Rate	Gas Type	Heat Exchanger	Thermal Efficiency	Dim A	Weight	Vent Diameter*	Minimum GPM	Maximum GPM
JXi200N	JXi200NK	200K BTU	Natural Gas	Copper	83%	34.5	117 lbs.	6" (15 cm)	30	100
JXi260N	JXi260NK	260K BTU	Natural Gas	Copper	84%	34.5	120 lbs.	7" (18 cm)	30	100
JXi400N	JXi400NK	399K BTU	Natural Gas	Copper	84%	34.5	126 lbs.	8" (20 cm)	30	100
JXi400NN		399K BTU	Natural Gas	Cupronickel	83%	34.5	126 lbs.	8" (20 cm)	30	100
JXi200P	JXi200PK	200K BTU	Propane	Copper	83%	34.5	117 lbs.	6" (15 cm)	30	100
JXi260P	JXi260PK	260K BTU	Propane	Copper	84%	34.5	120 lbs.	7" (18 cm)	30	100
JXi400P	JXi400PK	399K BTU	Propane	Copper	84%	34.5	126 lbs.	8" (20 cm)	30	100
JXi400PN		399K BTU	Propane	Cupronickel	83%	34.5	126 lbs.	8" (20 cm)	30	100
JXiVFKIT	JXiVFKITK	JXi VersaFlo Accessory Kit (Not compatible with ASME certified heaters)								

ASME Certified JXi Heaters (Not available with VersaFlo Integrated Bypass technology)

Model #	Firing Rate	Gas Type	Heat Exchanger	Thermal Efficiency	Dim A	Weight	Vent Diameter*	Minimum GPM	Maximum GPM
JXi260NC	260K BTU	Natural Gas	Copper	84%	31.6	163 lbs.	7" (18 cm)	30	100
JXi260PC	260K BTU	Propane	Copper	84%	31.6	163 lbs.	7" (18 cm)	30	100
JXi400NC	400K BTU	Natural Gas	Copper	84%	31.6	168 lbs.	8" (20 cm)	30	100
JXi400PC	400K BTU	Propane	Copper	84%	31.6	168 lbs.	8" (20 cm)	30	100

* Minimum vent pipe size for Category I installations.
2 units per pallet. Trade Series Exclusive product; not available for Internet sale.

Jandy.com | 1.800.822.7933

