



Jandy®

AN ULTRA-COMPACT AND ENERGY-EFFICIENT GAS POOL & SPA HEATER

NEW! ASME Compliant CuproNickel
Models Now Available



JXi™
POOL & SPA HEATER

The TOTAL PACKAGE

The JXi™ heater sets the standard in pool and spa heating technology with its ultra-compact size, lightweight design, and energy-efficiency options that save on electrical costs. Providing extreme installation flexibility, this high-efficiency, low-NOx heater is a top choice for pool professionals and pool owners everywhere and is available in both natural and propane gas models.

Best Retrofit Option

Plumbing flexibility for quick Pentair® Mastertemp® and Pentair® Max-E-Therm® replacement that requires no plumbing adjustments.

Flexible Installation

Top can be easily removed for increased accessibility and rotated 180 degrees so you never need to rotate headers. Also includes a flip up electrical panel for convenient setup and service.



Fastest Installation

Pro-driven features for the fastest, most customer-friendly installation

Major competitor model*



Ultra-Compact Lightweight Design

Easy to store, transport, and install, JXi™ easily fits on a 2' x 2' pad and is 38% lighter with a 28% smaller footprint.

*Compared to major competitor models

Save even more with proprietary VersaFlo™ integrated bypass*

*VersaFlo not available on ASME models.

Here's How:

- The heater is typically only used 3.5% of average annual pump runtime, the other 96.5% of the time the heat exchanger can be bypassed.
- JXi with VersaFlo activates the built-in flow bypass valve based on call for heat to avoid running water through the heat exchanger when water does not need to be heated.
- When used with a variable-speed pump, JXi with VersaFlo requires considerably less electricity, thereby providing for significantly reduced electricity costs.**

**Versus similar system without VersaFlo.

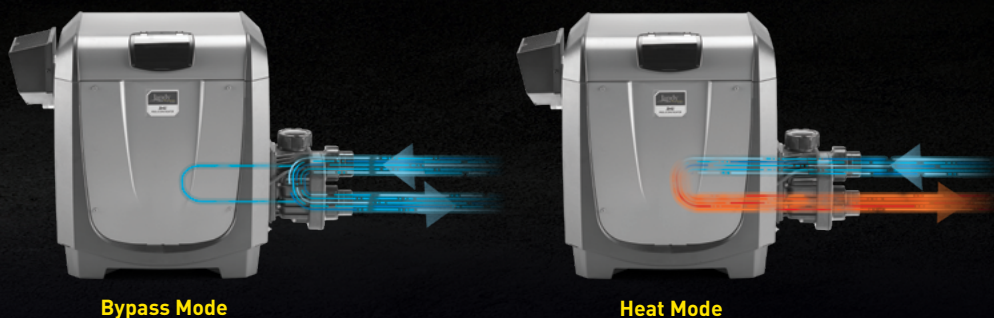
- VersaFlo Integrated Bypass is available on select models or can be easily added to any JXi heater in the field.***

***See JXIVFKIT installation manual for more details.



Heater Shown with Optional VersaFlo Integrated Bypass*

*Not available with ASME models



Bypass Mode

Heat Mode



Versa Plumb®-Ready

Installation in the Versa Plumb system* reduces plumbing costs and increases energy efficiency, all using the smallest footprint available.

*Sweep elbow included in all JXi models

Efficiency, Convenience and Performance You can Count On

84% EFFICIENCY***

***Most models, see chart for details.



iAquaLink
CONTROL



Energy Efficient

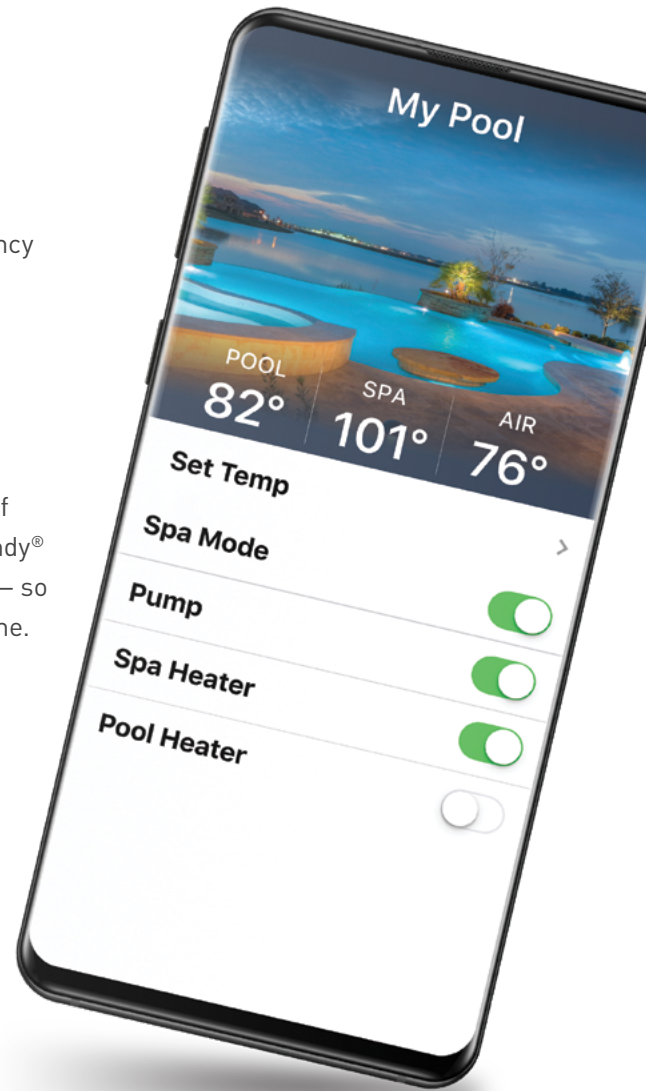
84% thermal efficiency rating and low-NOx design surpasses strict DOE Energy Efficiency requirement. Select JXi with VersaFlo™ or add the optional VersaFlo Accessory Kit to reduce energy costs even more.

Anytime, Anywhere Control

The JXi features the ultimate convenience of advanced automation compatibility with Jandy® AquaLink® systems and iAquaLink control — so you can heat your pool/spa on your way home.

5-Year Heat Exchanger limited Warranty

JXi heaters with VersaFlo factory installed receive an industry leading 5-Year standard limited warranty on the heat exchanger.



Commercial Grade Models

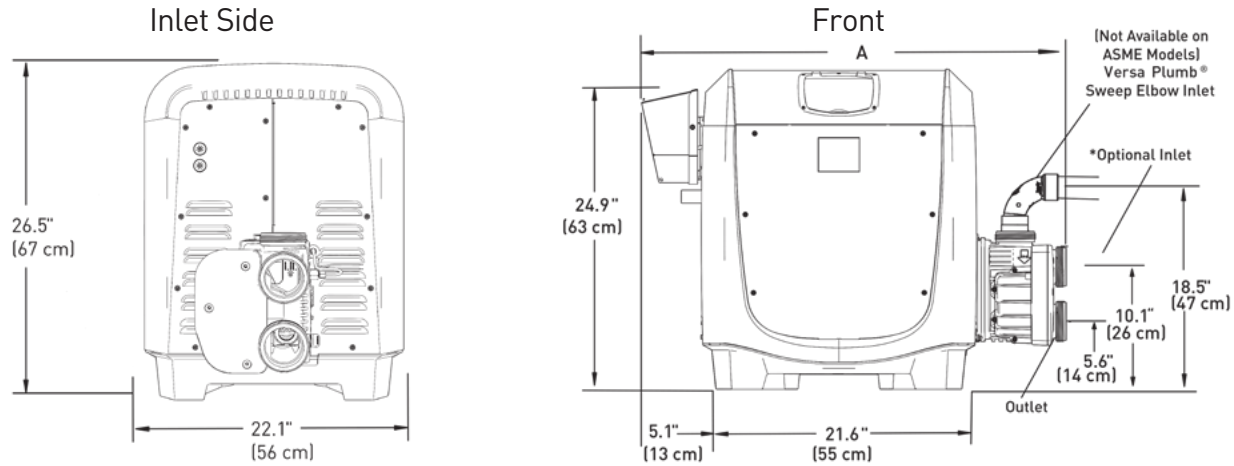
Small but strong enough to handle the rigors of non-residential use, ASME compliant JXi heaters feature burly bronze headers and 30%* thicker-walled, integral copper fin tubes for corrosion-resistant reliability.

NEW! Optional cupronickel fin tube now available for the most demanding job sites.

*30% thicker than other models.

ASME
CERTIFIED

Specifications



NOTE: Dimensions are identical on all heater models

Available in the Following Models

Model #	Model # with VersFlo	Firing Rate	Gas Type	Heat Exchanger	Thermal Efficiency	Dim A	Weight	Vent Diameter*	Minimum GPM	Maximum GPM
JXi200N	JXi200NK	200K BTU	Natural Gas	Copper	83%	34.5	117 lbs.	6" (15 cm)	30	100
JXi260N	JXi260NK	260K BTU	Natural Gas	Copper	84%	34.5	120 lbs.	7" (18 cm)	30	100
JXi400N	JXi400NK	399K BTU	Natural Gas	Copper	84%	34.5	126 lbs.	8" (20 cm)	30	100
JXi400NN		399K BTU	Natural Gas	Cupronickel	83%	34.5	126 lbs.	8" (20 cm)	30	100
JXi200P	JXi200PK	200K BTU	Propane	Copper	83%	34.5	117 lbs.	6" (15 cm)	30	100
JXi260P	JXi260PK	260K BTU	Propane	Copper	84%	34.5	120 lbs.	7" (18 cm)	30	100
JXi400P	JXi400PK	399K BTU	Propane	Copper	84%	34.5	126 lbs.	8" (20 cm)	30	100
JXi400PN		399K BTU	Propane	Cupronickel	83%	34.5	126 lbs.	8" (20 cm)	30	100
JXiVFKIT	JXiVFKITK	JXi VersaFlo Accessory Kit (Not compatible with ASME heaters)								

ASME Compliant JXi Heaters (Not available with VersaFlo Integrated Bypass technology)

Model #	Firing Rate	Gas Type	Heat Exchanger	Thermal Efficiency	Dim A	Weight	Vent Diameter*	Minimum GPM	Maximum GPM
JXi260NC	260K BTU	Natural Gas	Copper	84%	31.6	163 lbs.	7" (18 cm)	30	100
JXi260PC	260K BTU	Propane	Copper	84%	31.6	163 lbs.	7" (18 cm)	30	100
JXi400NC	400K BTU	Natural Gas	Copper	84%	31.6	168 lbs.	8" (20 cm)	30	100
JXi400PC	400K BTU	Propane	Copper	84%	31.6	168 lbs.	8" (20 cm)	30	100
JXi260NS	260K BTU	Natural Gas	Cupronickel	83%	31.6	163 lbs.	7" (18 cm)	30	100
JXi260PS	260K BTU	Propane	Cupronickel	84%	31.6	163 lbs.	7" (18 cm)	30	100
JXi400NS	400K BTU	Natural Gas	Cupronickel	84%	31.6	168 lbs.	8" (20 cm)	30	100
JXi400PS	400K BTU	Propane	Cupronickel	84%	31.6	168 lbs.	8" (20 cm)	30	100

* Minimum vent pipe size for Category I installations.
2 units per pallet. Trade Series Exclusive product; not available for Internet sale.

Additional Features



Copper **Cupronickel**

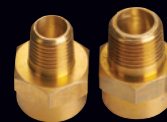
Weld-free combustion chamber for optimal corrosion resistance, models available with copper or cupronickel heat exchangers.



Venturi-driven air and gas mix for enhanced performance.



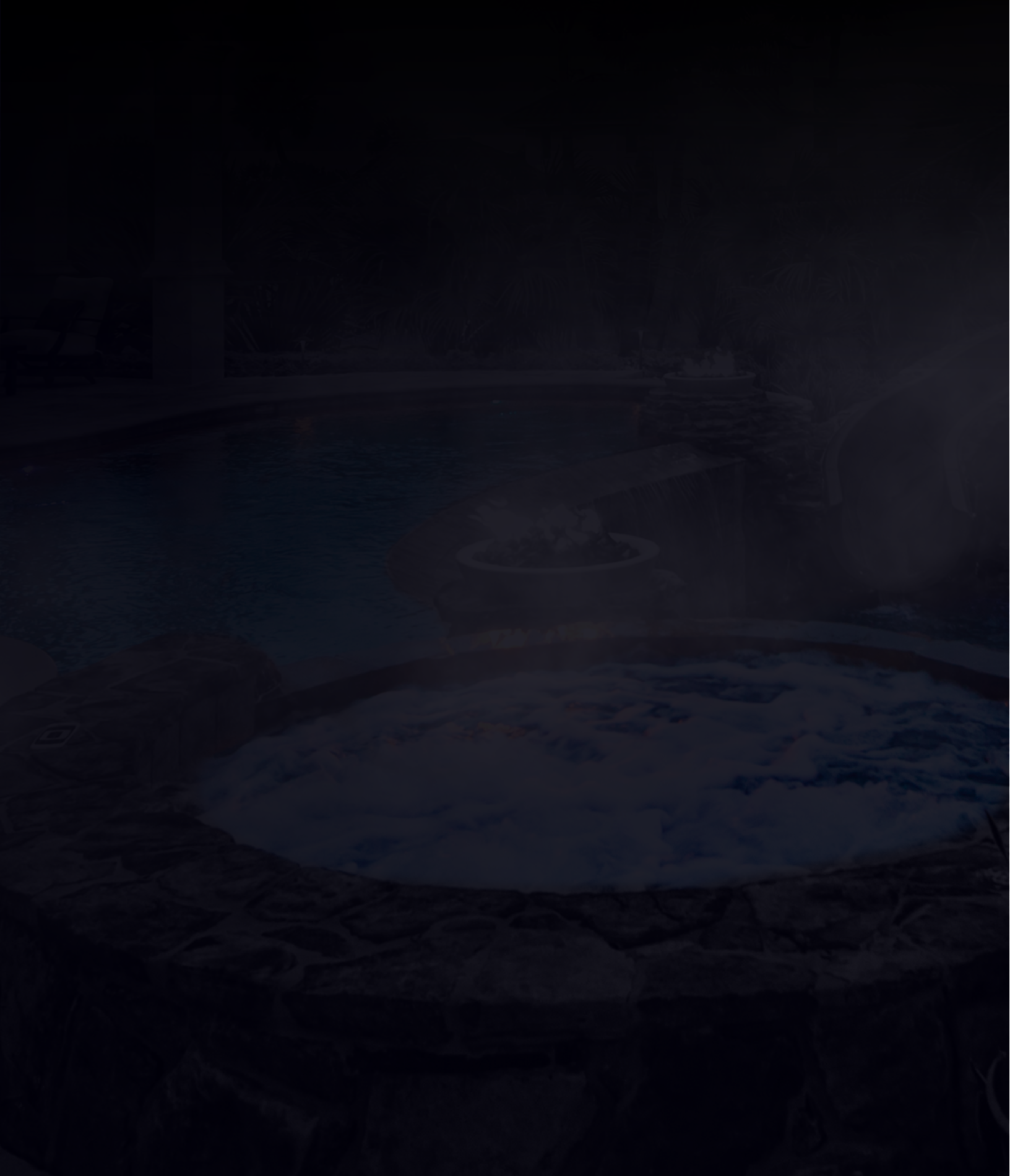
Reliable, balanced flow and temperature control with thermal regulator valve.



Differentiated limit switches meet applicable product safety standards.



Corrosion-resistant temperature sensors for reliable operation.



Jandy.com | 1.800.822.7933

©2022 Zodiac Pool Systems LLC. All rights reserved. ZODIAC® is a registered trademark of Zodiac International, S.A.S.U., used under license. Apple and the Apple logo are trademarks of Apple, Inc., registered in the U.S. and other countries. App Store is a service mark of Apple, Inc., registered in the U.S. and other countries. Google Play and Google Play logo are trademarks of Google LLC. All other trademarks are the property of their respective owners. 4069_SL

