

Jandy®
Pro Series
by ZODIAC®

LEGACY™
POOL & SPA HEATER

LEGACY
Pool & Spa Heater



Economical
Pool & Spa
Heating



ZODIAC®



Bring heating comfort to your pool or spa today

Legacy pool heaters deliver exceptional pool and spa comfort year round, while maximizing combustion efficiency for economical heating.

» Designed to Save Energy

- Ceramic fiber combustion chamber for lightweight, compact design.
- Copper heat exchanger and Flo-Thru baffles provide efficient heat transfer and lower the amount of energy needed to heat your pool.
- Reliable hot surface ignition systems provide trouble-free operation on the LRZE model.

» LRZE (Electronic)*

- Digital control of set-points
- Self diagnostics and communication with AquaLink® RS Systems



» LRZM (Millivolt)*

- Easy on/off temperature switch
- Mechanical thermostat easily sets temperatures



*Cupro-nickel heat exchangers are available with some models.

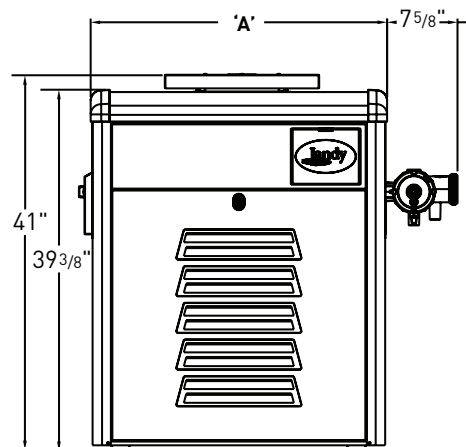


SMART PHONE SCAN

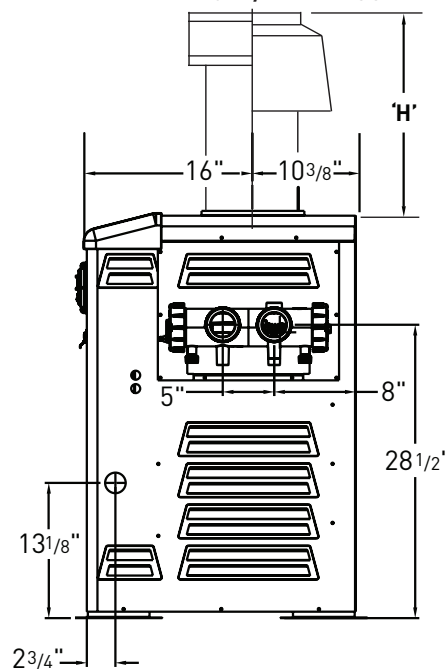
Zodiac Pool Systems, Inc.
2620 Commerce Way, Vista, CA 92081
1.800.822.7933 | www.ZodiacPoolSystems.com

Zodiac Pool Systems Canada, Inc.
2115 South Service Road West, Unit #3, Oakville, ON L6L 5W2
1.888.647.4004 | www.ZodiacPoolSystems.ca

DIMENSIONS



VENT CAP/DRAFT HOOD



SPECIFICATIONS

Model Number	Firing Rate	Heater Width Dim 'A'	Vent Diameter	Outdoor Dim 'H'	Indoor Dim 'H'	Carton Weight
Legacy 125	125,000 BTU/HR	15 1/8"	6"	18"	24 1/8"	180 lbs.
Legacy 175	175,000 BTU/HR	18 1/8"	6"	18"	24 1/8"	194 lbs.
Legacy 250	250,000 BTU/HR	22 3/4"	7"	18 1/4"	25 1/4"	223 lbs.
Legacy 325	325,000 BTU/HR	26 7/8"	8"	18 7/8"	26 1/2"	256 lbs.
Legacy 400	399,000 BTU/HR	32 3/8"	9"	21 1/2"	27 1/2"	280 lbs.