
Addendum to Legacy™ Model LRZE Installation and Operation Manual

Please refer to the following pages for corrections to document H0299500D
(Installation and Operation Manual, Legacy model LRZE)

This addendum applies to the Jandy Heater that accompanies it. Please note and apply the following changes to the Installation and Operation Manual included with this document.

Page 22, Figure 16. Legacy Model LRZ Electronic Connections/Schematic Wiring Diagram

Replace page 22 with updated page 22 provided with this addendum.

Page 42, Figure 28. Test Point Identification Diagram (1 of 2)

Replace page 42 with updated page 42 provided with this addendum.

Page 43, Figure 28. Test Point Identification Diagram (2 of 2)

Replace page 43 with updated page 43 provided with this addendum.

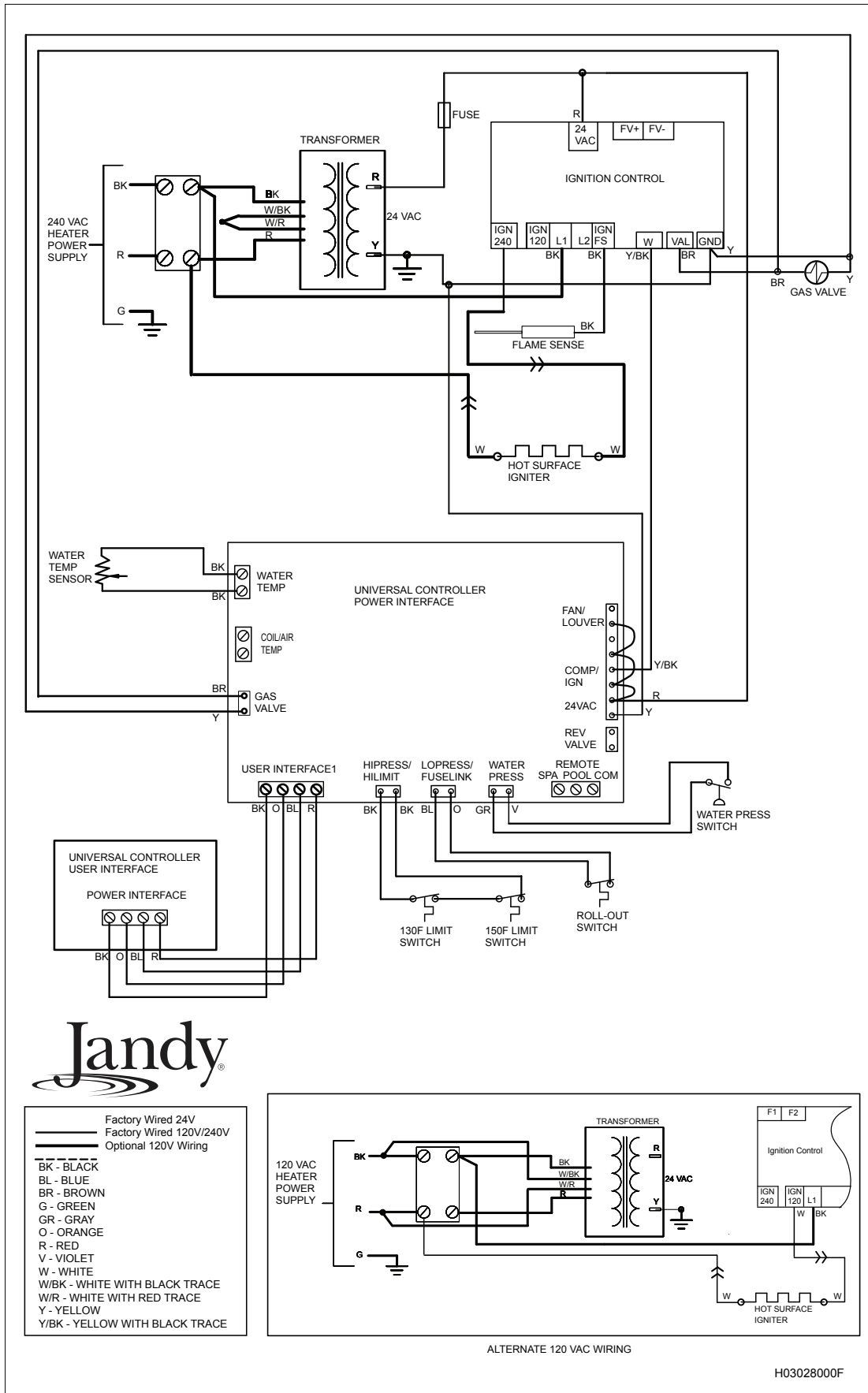


Figure 16. Legacy Model LRZ electronic Connections/Schematic Wiring Diagram

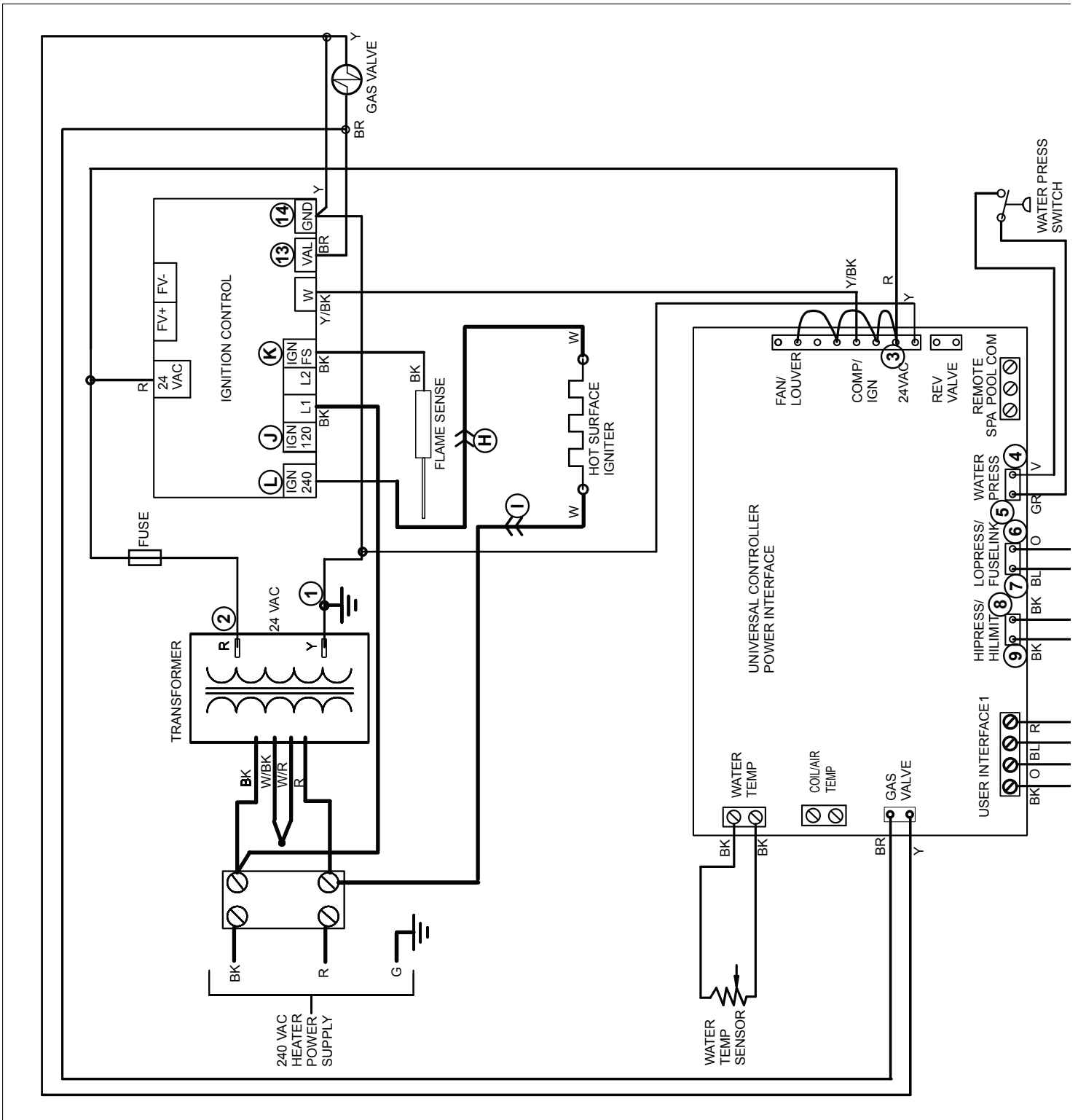


Figure 28. Test Point Identification Diagram (1 of 2)

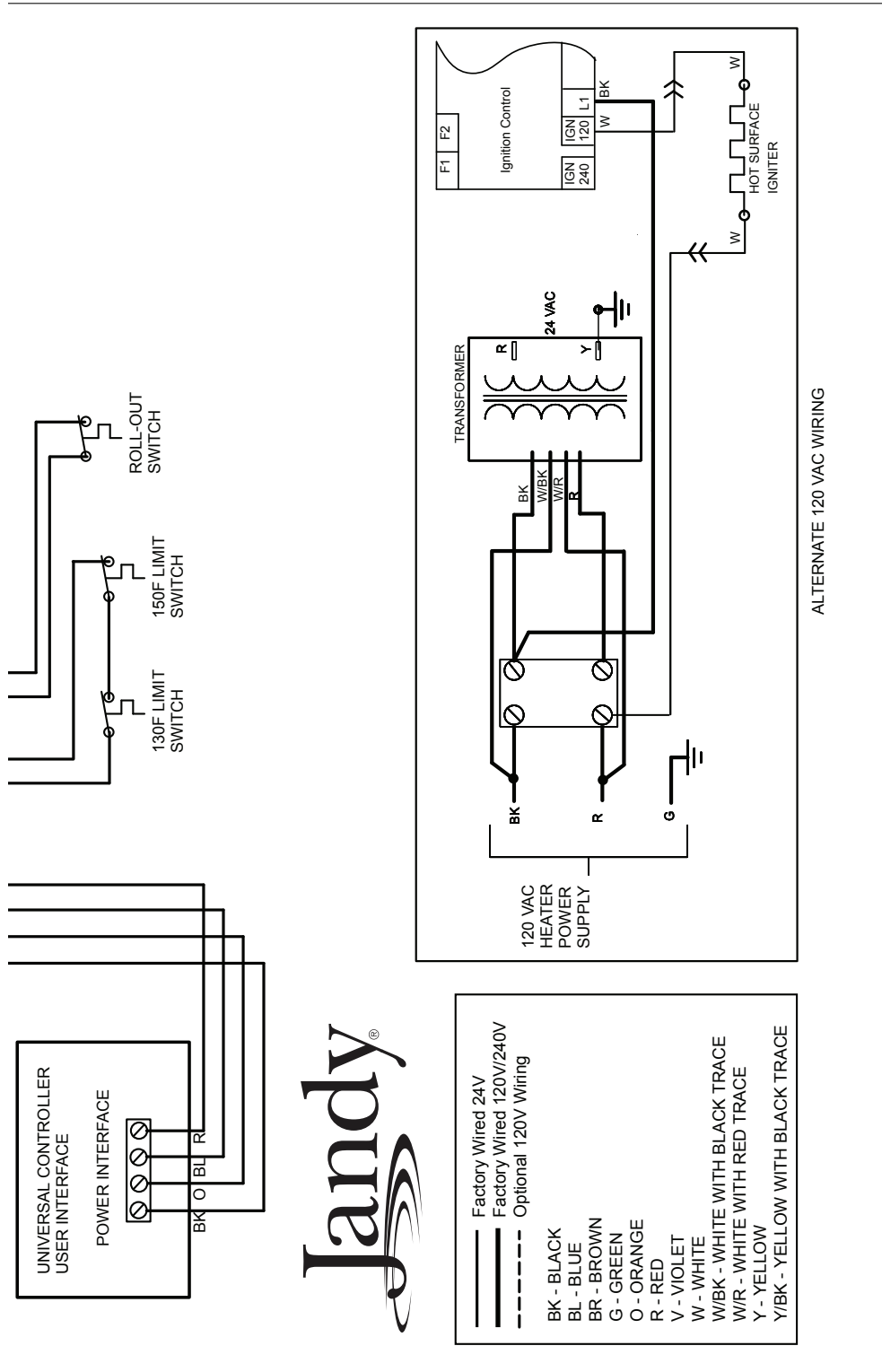


Figure 28. Test Point Identification Diagram (2 of 2)