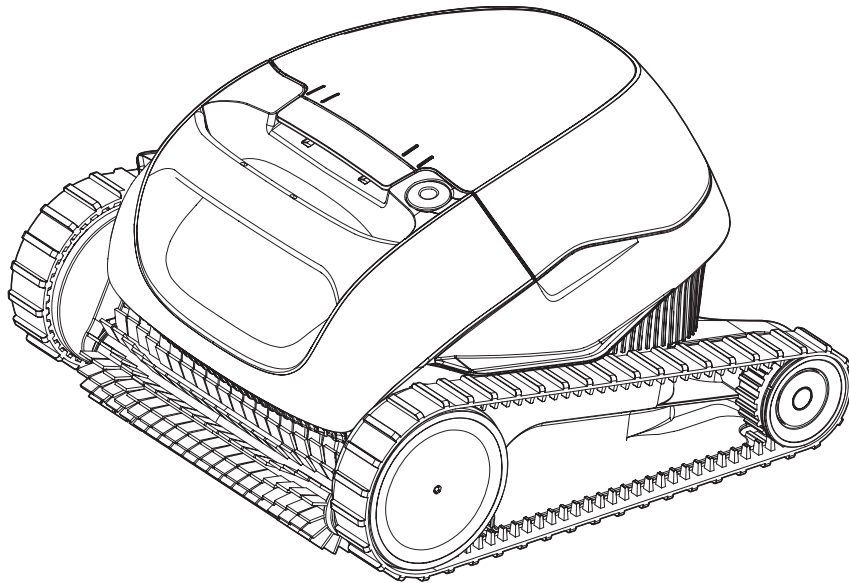




PROWLER[®] 917

ROBOTIC INGROUND POOL CLEANER



INSTALLATION AND USER'S GUIDE

IMPORTANT SAFETY INSTRUCTIONS
READ AND FOLLOW ALL INSTRUCTIONS
SAVE THESE INSTRUCTIONS

IMPORTANT WARNING AND SAFETY INSTRUCTIONS



Important Notice:

Attention Installer: This guide contains important information about the installation, operation and safe use of this product. This information should be given to the owner and/or operator of this equipment after installation of the pool cleaner.

Attention User: This manual contains important information that will help you in operating and maintaining this pool cleaner. Please retain it for future reference. Consult Pentair with any questions regarding this equipment.

WARNING Before installing this product, read and follow all warning notices and instructions which are included. Failure to follow safety warnings and instructions can result in severe injury, death, or property damage. Call (800) 831-7133 for additional free copies of these instructions.

Consumer Information and Safety

The pool cleaners are designed and manufactured to provide many years of safe and reliable service when installed, operated and maintained according to the information in this manual. Throughout the manual, safety warnings and cautions are identified by the “▲” symbol. Be sure to read and comply with all of the warnings and cautions.

WARNING **RISK OF ELECTRICAL SHOCK OR ELECTROCUTION.** Connect only to a grounding type receptacle protected by a ground-fault circuit-interrupter (GFCI). Contact a qualified electrician if you cannot verify that the receptacle is protected by a GFCI.



WARNING **HAZARDOUS SUCTION.** Do not play with cleaner or apply to body. Can trap and tear hair or body parts.



WARNING Do not operate the robotic pool cleaner when there are people swimming in the pool. Communication cable can trip or entangle swimmers which could result in drowning.

WARNING When inspecting or servicing the robotic pool cleaner, disconnect the main power supply.

WARNING Keep the robotic pool cleaner out of reach of children.

WARNING Keep the robotic pool cleaner out of reach of persons with reduced physical, sensory or mental capabilities, or lack of experience and knowledge, without proper supervision and understanding of the instructions.

WARNING Use only a power cable produced by the original cleaner manufacturer at all times.

WARNING To reduce the risk of electrical shock, do not use an extension cord to connect unit to electrical supply; provide a properly located outlet.

WARNING This product contains a chemical known to the state of California to cause cancer, birth defects or other reproductive harm.

CAUTION Only a trained operator should operate the robotic pool cleaner.

CAUTION To avoid hand injury, operator should keep hands away from all moving parts and suction inlets.

CAUTION Position the caddy and power supply at least 12 feet (3.5 m) from the edge of the pool during operation.

CAUTION Do not bury cord. Locate cord to minimize abuse from lawn mowers, hedge trimmers and other equipment.

CAUTION When lifting the robotic pool cleaner, take care to prevent back injury.

General Installation Information

FCC Statement

NOTE: This equipment has been tested and found to comply with the limits for a Class B digital device, pursuant to part 15 of the FCC Rules. These limits are designed to provide reasonable protection against harmful interference in a residential installation. This equipment generates, uses and can radiate radio frequency energy and, if installed and used in accordance with the instructions, guarantees that interference will not occur in a particular installation. If this equipment does cause harmful interference to radio or television reception, which can be determined by turning the equipment off and on, the user is encouraged to try to correct interference by one or more following measures:

- Reorient or relocate the receiving antenna.
- Increase the separation between the equipment and the receiver.
- Connect the equipment into an outlet on a circuit different from that to which the receiver is connected.
- Consult the dealer or an experienced radio/TV technician for help.

Changes or modifications to this equipment not expressly approved by the party responsible for compliance (Pentair) could void the user's authority to operate this equipment.

Pre-Installation Check List

Before installing your cleaner, review and understand all warnings and safety information in this guide. Failure to follow these instructions or improper installation of the cleaner can result in damage to the pool finish or the vinyl liner, Pentair disclaims any liability for repairs or replacement to any of these structures or components of the customer's pool.

Before installing the cleaner in a vinyl liner pool:

Check liner closely for signs of deterioration or damage from age, chemicals, pool wall damage, etc. If any damage is found, have a qualified pool professional make all the necessary repairs. Also, if there are stones, roots, etc., under the liner, remove them before installing the cleaner.

Before installing the cleaner in a gunite pool or a pool that is partially or completely tiled:

Repair loose tiles and tighten any loose light rings.

Before installing the cleaner, clean your filter system:

Make sure you have cleaned the filter, including backwashing, rinsing, and emptying all baskets. A clean system is necessary for proper cleaner operation and coverage.

Before installing the cleaner, understand cleaner coverage:

The cleaner is designed to rid your pool of debris in approximately 4-6 hours. Less time could be needed, depending on the pool size. The cleaner was not designed to automatically clean steps or swimouts or to work under a solar cover. It was also not designed to do initial cleanup for a new pool or when opening your pool for the season.

AFTER installing the cleaner, make sure the cleaner is operating correctly:

The cleaner may need some minor adjustments to make sure it is operating properly so there is no damage to the pool finish. Certain vinyl liner patterns are particularly susceptible to surface wear, pattern removal, ink rubbing off of, or serious scratches to the pattern caused by objects coming into contact with the vinyl surface, including automatic pool cleaners. Pentair is not responsible for any pattern removal, abrasions or markings on vinyl liners.

IMPORTANT WARNING AND SAFETY INSTRUCTIONS

Disclaimer of Liability About your Pool and Cleaner

There are a multitude of factors that contribute to the life of your pool. These robotic pool cleaners are very passive products that will have no impact on pool life.

Please be aware that over time, deterioration, discoloration and brittleness of any pool finish can be caused separately by, or in combination with, age, an imbalance in pool water chemistry, improper installation and other factors. Robotic pool cleaners will not remove or cause wear on “good” pool plaster. In fact, the opposite is true—pool plaster will eventually cause wear on the cleaner.

The same situation holds true for vinyl-lined in-ground swimming pools, because vinyl liners are also affected by the environment and factors such as pool water chemistry, sunlight and the pool’s surroundings. Therefore over time, vinyl can become brittle and weak. In addition, vinyl-lined pools are affected by the workmanship, composition and installation of the liner and the workmanship and quality of construction of the supporting walls and pool base. These are all factors which can contribute to liner failure. The existence of any of these type of conditions in your pool is not caused by the use or operation of the cleaner. The manufacturer disclaims any liability for repairs or replacement to any of these structures or components of the customer’s pool.

The pool owner must assume all responsibility for the condition and maintenance of the pool’s surface, water and deck.

SAVE THESE INSTRUCTIONS

CUSTOMER SERVICE / TECHNICAL SUPPORT

If you have questions about ordering Pentair replacement parts, and pool products, please use the following contact information:

Customer Service

(8 A.M. to 4:30 P.M. — Eastern and Pacific Times)
 Phone: (800) 831-7133
 Fax: (800) 284-4151

Web site

Visit www.pentair.com to find information about Pentair products.

Technical Support

Sanford, North Carolina (8 A.M. to 4:30 P.M. ET)
 Phone: (919) 566-8000
 Fax: (919) 566-8920

Moorpark, California (8 A.M. to 4:30 P.M. PT)
 Phone: (805) 553-5000 (Ext. 5591)
 Fax: (805) 553-5515

TABLE OF CONTENTS

Important Warning and Safety Instructions	i
Preparation of the Pool and Cleaner	1
Overview	1
Contents	1
Cleaner Features	1
Initial Setup	1
Operation	3
Manually Starting the Cleaner	3
Setting a Weekly Schedule	3
Choosing a Style of Filter Screen	3
Maintenance	4
Removing the Cleaner from the Pool	4
Cleaning the Filter Basket	5
Periodic Filter Screen Cleaning	6
Cleaning the Impeller	7
Storing the Cleaner	8
Troubleshooting	9
Replacement Parts	10

* Translated versions of this manual are available online at / La versión en español de este manual del producto, se puede encontrar en línea a / La version française de ce manuel est disponible à :
<https://www.pentair.com/en/products/pool-spa-equipment/pool-cleaners/prowler917-inground-pool-cleaner.html>

PREPARATION OF THE POOL AND CLEANER

Overview

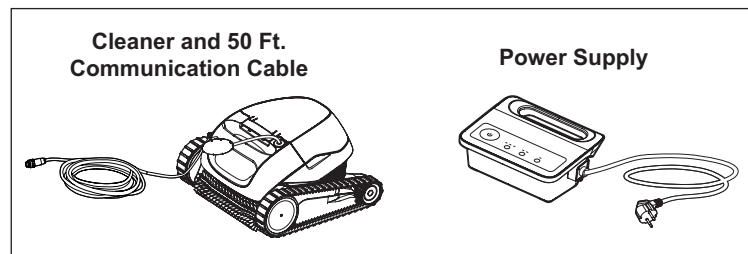
Prowler® 917 Robotic Pool Cleaners are designed to scrub, vacuum and filter (including the waterline) your inground pool. Before operating this product, be sure to read and follow all warning and safety instructions on pages i-ii.

Packaged Components:

- Cleaner and 50 Ft. Communication Cable
- Power Supply
- Additional Pleated Basket Screens (Qty. 2) (not shown)

Cleaner Features:

- Weekly Scheduling
- Floor and Wall Scrubbing
- Top Loading Basket Filtration
- Multiple Filtration Options - Pleated or Mesh Basket Panels

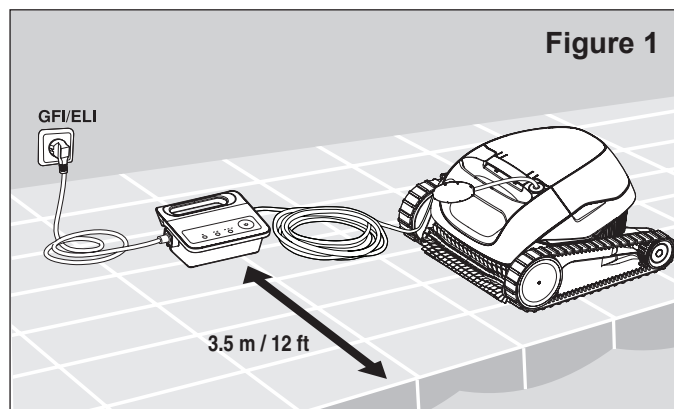


Initial Setup

Before using the cleaner for the first time, complete the following steps:

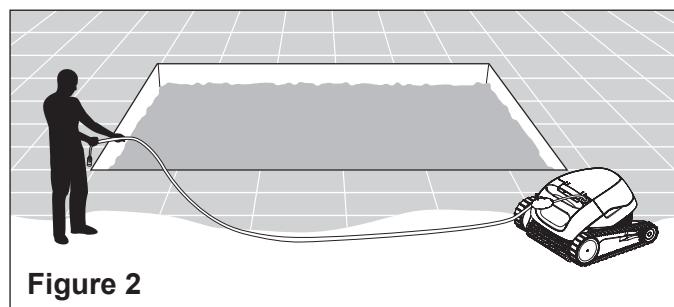
STEP 1: Power Supply Placement

Position the power supply at least 12 feet (3.5 m) from the edge of the pool. See **Figure 1**.



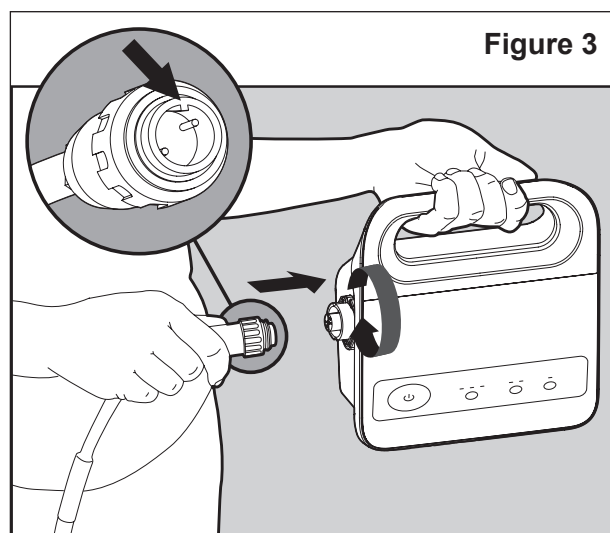
STEP 2: Unroll Communication Cable

Unroll the cable and stretch it out completely so that it has no kinks. See **Figure 2**.



STEP 3: Connect Power Supply to Cleaner

1. Connect the communication cable to the power supply, ensuring the connector notch is lined up with the corresponding groove in the power supply. See **Figure 3**.
2. Turn the cable connector clockwise to lock the cable into the power supply. See **Figure 3**.

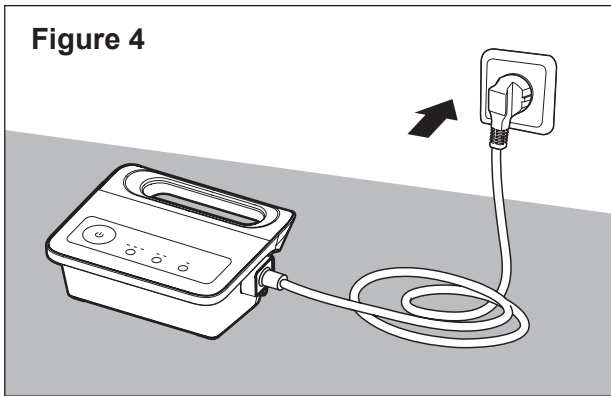


STEP 4: Connect Power Supply to Power Source

Connect the power supply to the electrical source/outlet. See **Figure 4**.

⚠ WARNING RISK OF ELECTRICAL SHOCK OR ELECTROCUTION: Connect only to a grounding type receptacle protected by a ground-fault circuit-interrupter (GFCI). Contact a qualified electrician if you cannot verify that the receptacle is protected by a GFCI.

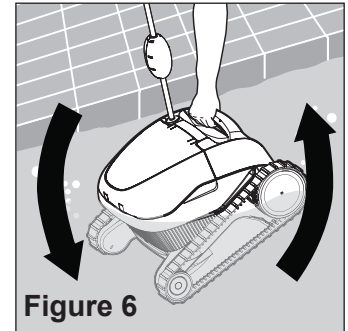
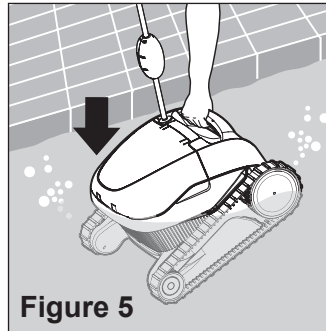
⚠ WARNING To reduce the risk of electrical shock, do not use extension cord to connect unit to electrical supply; provide a properly located outlet.



STEP 5: Placing the Cleaner in the Pool

⚠ CAUTION ALWAYS ensure the cleaner is fully immersed in water before switching the pool cleaner to “ON”. Operating the cleaner out of water will immediately cause severe damage and will result in loss of warranty. Do not leave the cleaner in the pool all the time. Always remember to turn the power supply “OFF” and unplug it from the power outlet before removing the cleaner from the pool.

1. Be sure the power supply is positioned a minimum of 12 ft. (3.5 m) from the pool.
 2. Lower the cleaner into the pool by the handle (see **Figure 5**).
- Note:** Never lower the cleaner into the pool by the communication cable. This puts an unnecessary strain on the cable and could result in damage to the cleaner.
3. Gently tilt the cleaner from side to side or turn upside down to release trapped air. See **Figure 6**.



4. Once the cleaner is resting flat on the pool floor, continue to the next page for instructions on either manually starting the cleaner or setting a weekly schedule.

OPERATION

⚠ WARNING ALWAYS ensure the cleaner is fully immersed in water before manually starting the cleaner or before setting a weekly schedule. Moving parts may injure hands or fingers and operating the cleaner out of water will immediately cause severe damage to the cleaner.

⚠ WARNING Do not operate the cleaner when there are people swimming in the pool. Communication cable can trip or entangle swimmers which could result in drowning.

Manually Starting the Cleaner

To manually start a cleaning cycle, ensure the cleaner is fully immersed in water and press the power supply's ON/OFF button. The cleaner will run a two hour cleaning cycle and then automatically shut off.

To stop an active cleaning cycle, press the ON/OFF button while the cleaner is running.

Setting a Weekly Schedule

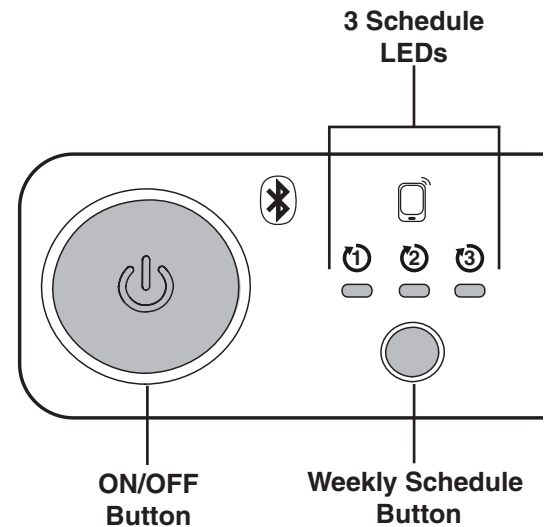
An automatic cleaning schedule may be set at the power supply each week. Ensure the cleaner is fully immersed in water before setting a weekly schedule, as the cleaner will always start when a weekly schedule is set.

When the power supply is switched on, a cleaning schedule for the coming week is set by pressing the Weekly Schedule button as instructed below:

- LED 1** - Cleaner will run a two hour cleaning cycle every day (7 times per week). Press the Weekly Schedule button once to select this interval.
- LED 2** - Cleaner will run two hour cleaning cycle every other day (3 times per week). Press the Weekly Schedule button twice to select this interval.
- LED 3** - Cleaner will run a two hour cycle every 3 days (2 times a week). Press the Weekly Schedule button three times to select this interval.

To reset a weekly schedule, press the Weekly Schedule button four consecutive times. If you do not press any of the buttons within the first 5 seconds after the power has been switched on, the cleaner will default to manual operation.

While the cleaner is in weekly schedule mode, the appropriate Schedule LED will blink between cycles. At the end of the week the power supply automatically shuts off.



Choosing a Style of Filter Screen

The Prowler® 917 Robotic Pool Cleaner offers two styles of debris filtration. The filter basket is shipped with two mesh filter screens and two pleated screens installed. Two additional pleated screens are provided with the cleaner and are interchangeable with the mesh filter screens.

Cleaner performance can be improved by using certain filter screens in certain situations and pool environments:

- Factory-installed **mesh filter screens** should be used when vacuuming larger debris from the pool. Larger debris is common when first opening a pool or after a strong storm.
- Ultra-fine **pleated filter screens** should be used in most situations, when vacuuming smaller debris.

Both styles of filter screen are removed from and installed into the filter basket similarly. To remove and install filter screens, follow the appropriate instructions given in *Periodic Filter Screen Cleaning* on page 6.

MAINTENANCE

⚠ WARNING

Make sure the cleaner's power supply is turned "OFF" and is disconnected from the electrical source/outlet before removing the cleaner from the pool. Moving parts may injure hands or fingers if cleaner inadvertently powers on during servicing.

Removing the Cleaner from the Pool

The cleaner will shut off automatically at the end of a cleaning cycle. Follow the steps below to remove the cleaner from the pool.

⚠ CAUTION

Ensure the power supply is turned "OFF" and disconnected from the electrical source/outlet before removing the cleaner from the pool. Operating the cleaner out of water will immediately cause severe damage and will result in loss of warranty. Do not leave the cleaner in the pool all the time.

1. Disconnect the power supply cable from the electrical outlet and disconnect the cleaner communication cable from the power supply.
2. Using the communication cable, slowly and gently pull the cleaner to the waterline at the edge of the pool until you can reach the handle. **DO NOT** lift the cleaner out of the water by the cable.
3. Using the handle, lift the cleaner out of the pool. See **Figure 7**.
Note: Never lift the cleaner out of the pool by the communication cable. This puts an unnecessary strain on the cable and could result in damage to the cleaner.
4. Place the cleaner on the edge of the pool and allow excess water to drain from the cleaner body and basket.
5. Disconnect the communication cable from the power supply.
6. Store the cleaner in a covered area with the communication cable coiled.

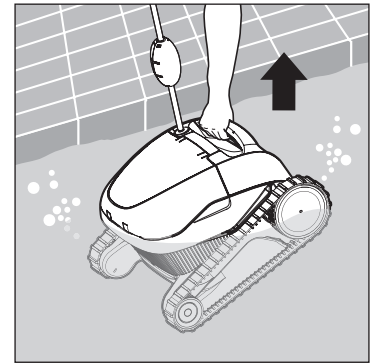


Figure 7

Cleaning the Filter Basket

It is recommended that you clean the filter basket after each cleaning cycle. Excess debris in the filter basket will restrict the suction power of the Prowler® 917 Robotic Pool Cleaner and reduce its effectiveness. To clean the filter basket, follow the instructions given below.

STEP 1: Open the Filter Cover

When the filter cover is opened the filter basket handle will pop up. See **Figure 8** and **9**.

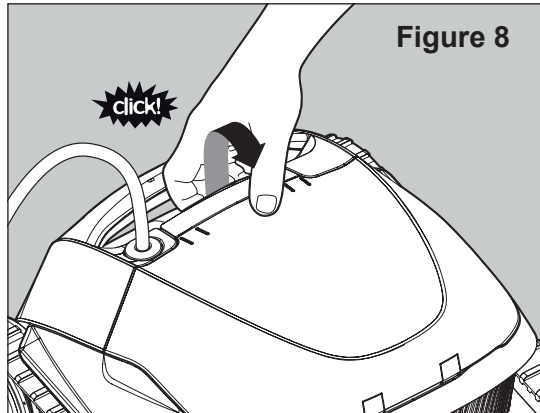


Figure 8

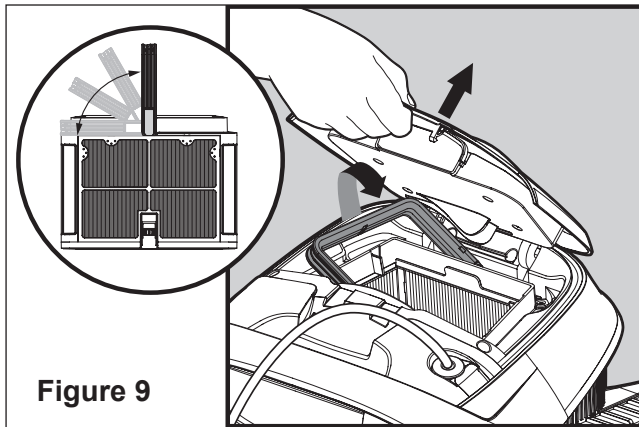


Figure 9

STEP 2: Lift the basket out of the cleaner body.

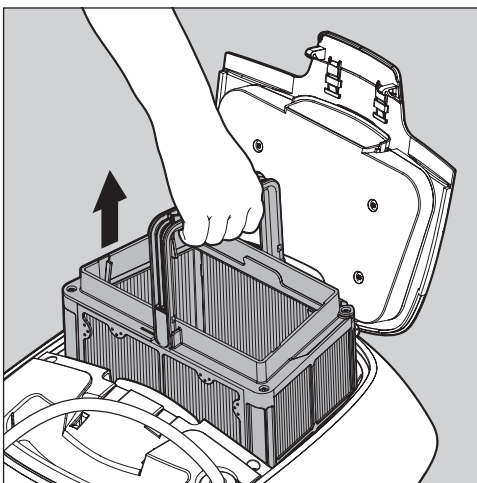


Figure 10

STEP 3: Empty the Filter Basket

Open the latch at the bottom of the filter basket. This will release the bottom lid of the basket and dump much of the collected debris. See **Figure 11**.

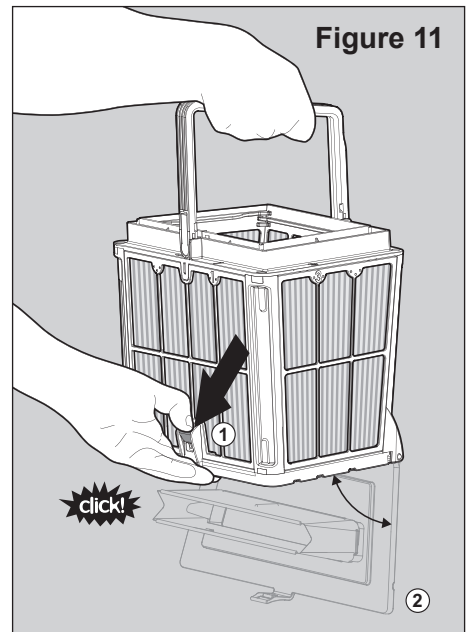


Figure 11

STEP 4: Clean the Filter Basket

Thoroughly clean the filter basket with a garden hose. See **Figure 12**.

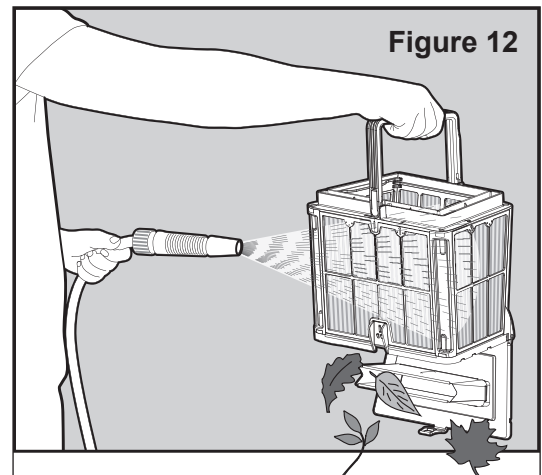


Figure 12

Periodic Filter Screen Cleaning

It is recommended that you clean the filter screens at least once a month. Excess debris in the filter screens will restrict the suction power of the Prowler® 917 Robotic Pool Cleaner and reduce its effectiveness. To uninstall and clean the two removable filter screens, follow the instructions given below.

STEP 1:

Remove the Filter Screen

1. Each filter screen and side of the filter basket has a number stamped onto it. Filter screens will only fit into the matching side of the basket. See **Figure 13**.

Note: Only screens 1 and 2 can be removed from the basket. Screens 3 and 4 cannot be removed.

2. Using your thumbs, firmly press the top of screen 1 inwards to detach the screen from the basket. See **Figure 13**.

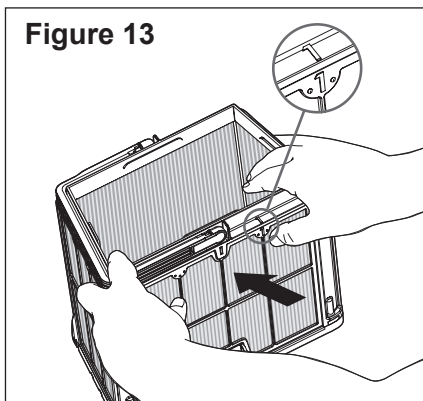


Figure 13

3. Gently remove the screen from the filter basket. See **Figure 14**.

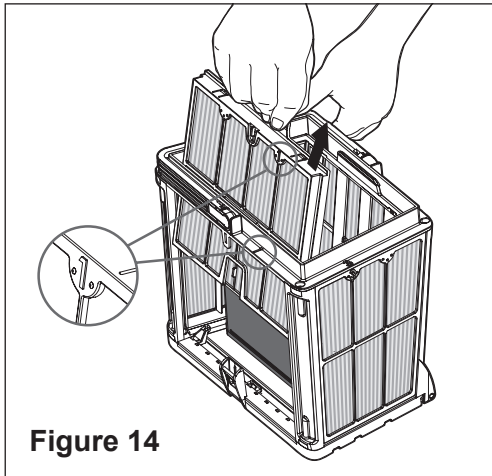


Figure 14

STEP 2:

Clean the Filter Screen

Thoroughly clean the filter screen with a garden hose. See **Figure 15**.

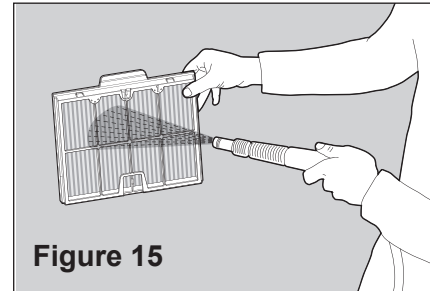


Figure 15

STEP 3:

Reinstall the Filter Screen

Seat the bottom of filter screen 1 into side 1 of the basket, then firmly press the top of the screen outwards until it clicks into place. See **Figure 16**.

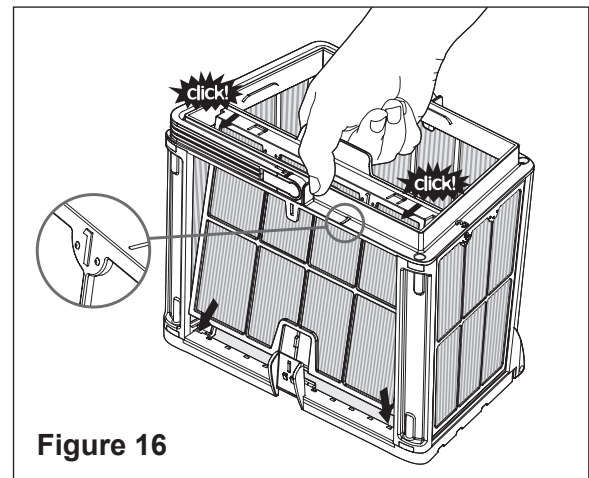


Figure 16

STEP 4:

Clean Screen 2

Repeat all previous steps to remove, clean and reinstall filter screen 2.

Cleaning the Impeller

⚠ WARNING Always disconnect power to the cleaner before servicing, disassembly, or reassembly. Failure to do so could result in death or serious injury to servicemen, pool users or others due to electrical shock. Read all servicing instructions before servicing the cleaner.

Every so often debris may become trapped in the Prowler® 917 Robotic Pool Cleaner's impeller. To clean out debris trapped in the impeller opening, follow the instructions below.

STEP 1: Open the Filter Cover and Remove the Basket

See **Figure 17** and **18**.

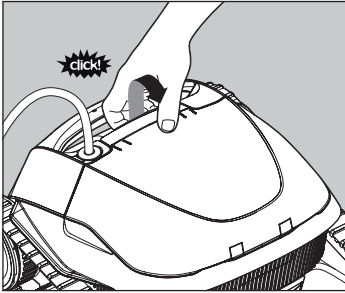


Figure 17

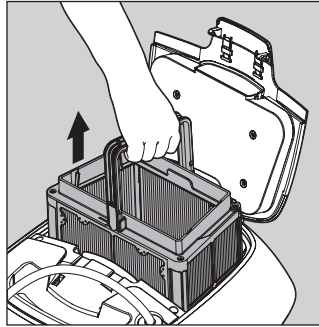


Figure 18

STEP 2: Remove Debris from Impeller Cover

By hand, clean as much debris as possible from the opening of the cleaner's impeller. See **Figure 19**.

Sometimes the debris may become lodged deeper in the impeller where you can not reach it. If this is the case, proceed to the next step to remove the impeller cover.

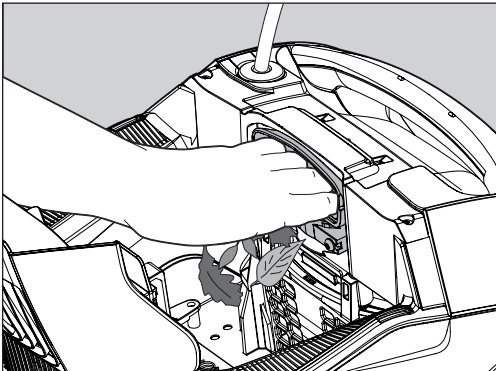


Figure 19

STEP 3: Unmount the Impeller Cover

Using a No. 2 Phillips-head screwdriver, remove the two screws that hold the impeller cover in place. These screws can be found in the bottom corners of the impeller cover. See **Figure 20**.

Place the two screws to the side.

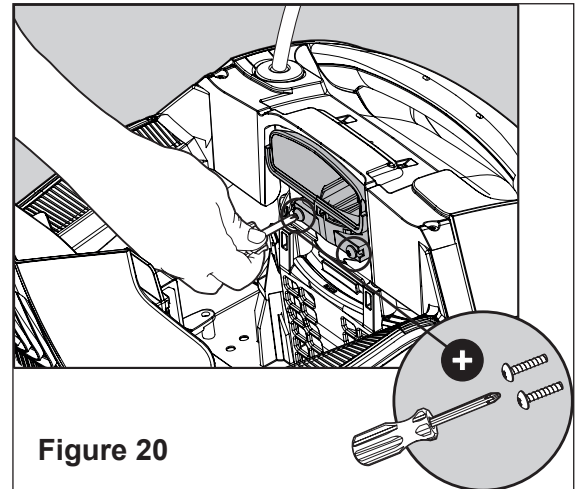


Figure 20

STEP 4: Remove the Impeller Cover

Gently pull the impeller cover away from the cleaner body. See **Figure 21**.

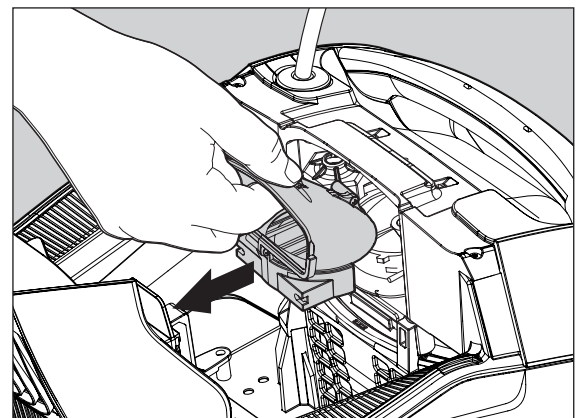


Figure 21

By hand, remove any debris that has become trapped around the impeller.

Remount the impeller cover with two impeller cover screws.

Storing the Cleaner

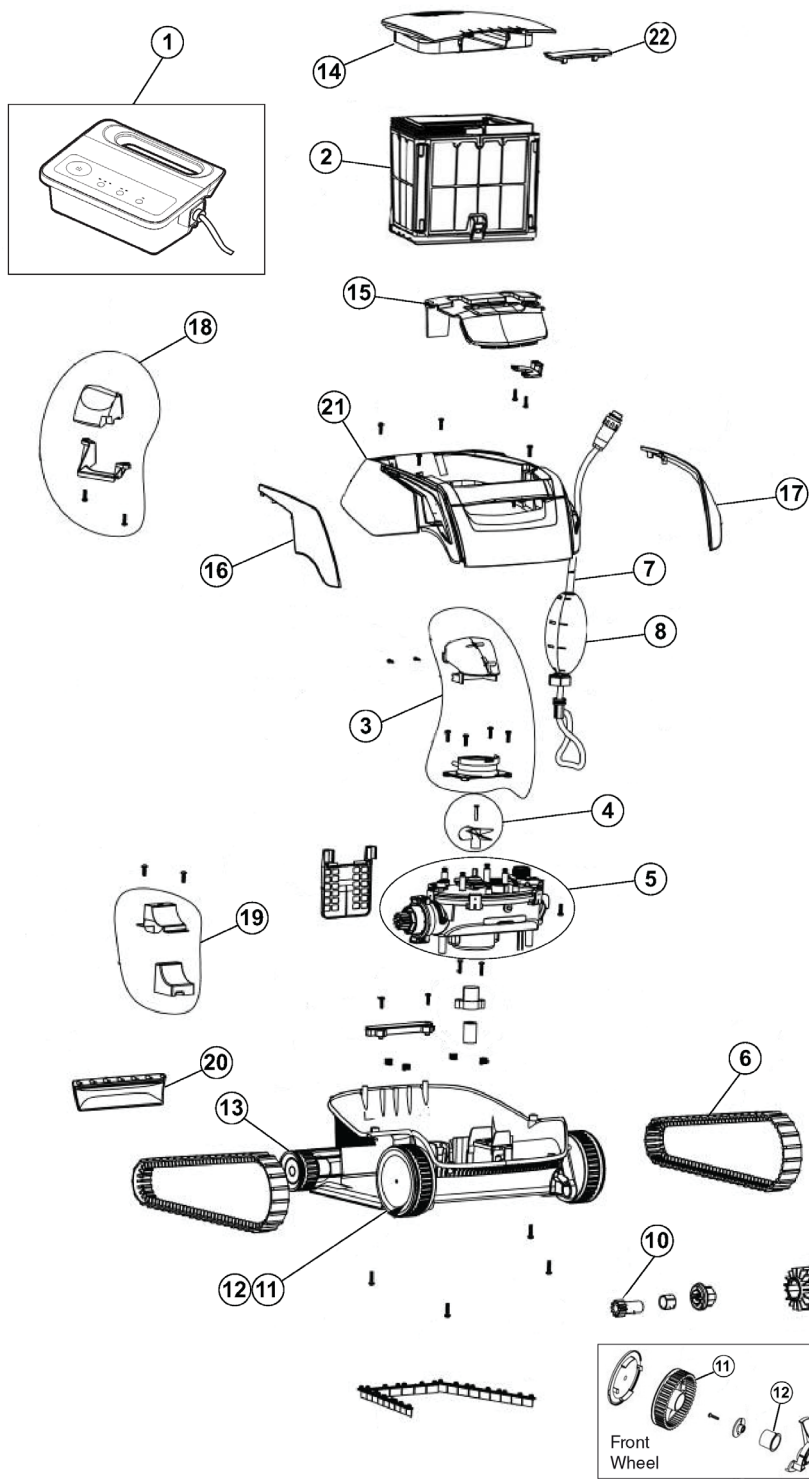
Any time the cleaner will not be used for an extended period of time, such as during the winter, follow the storage guidelines below.

- Disconnect the power supply.
- Always coil the cleaner's floating cable.
- Store the cleaner in a protected area out of direct sun, rain and frost, at a temperature between 5-45 °C / 41-113 °F.
- Drain all water from the pool cleaner.
- Thoroughly clean the filter basket and filter screens and store the cleaner with them installed.

TROUBLESHOOTING

Problem	Possible Cause	Corrective Action
Cable twisting or coiling.	Obstruction in pool Cleaner gets stuck on main drain cover Excess cable in the pool	Remove obstruction from pool. Turn off filter and install main drain cover ring. Straighten cable and lay in sun periodically. Remove excess cable from pool.
Cleaner is moving in circles	Dirt stuck in moving parts Tracks worn due to extended use Power supply positioned incorrectly Algae in pool	Remove dirt from moving parts. Contact your dealer. Replace tracks. Place power supply in a position so that the cleaner can reach all walls. Correct pool and water conditions.
Cleaner does not reach all areas of the pool floor	Power supply positioned incorrectly Algae on pool floor Pool filter and pump is on	Place power supply in a position so that the cleaner can reach all walls. Brush pool floor. Turn off pool filter and pump and run another cleaning cycle.
Cleaner does not climb walls	Cleaner is too heavy Algae on walls Water temperature too low and/or too high Brushes are worn Debris caught around impeller Air trapped inside cleaner Unsuitable pH level	Empty and clean filter basket. Brush walls. Ideal water temperature between 43-95°F (6-35°C) Replace brushes - contact your dealer. Clean impeller (see page 7). Turn cleaner upside down under water to remove trapped air. Check pH level - should be between 7.4 - 7.8; minimum level of 7.2.
Motor not working	Impeller blocked Drive system blocked Electrical problem - motor unit, communication cable or power supply	Clean impeller (see page 7). Clean tracks and wheels. Consult with your dealer or service center.
Cleaner will not sink	Air trapped inside cleaner	Turn cleaner upside down under water to remove trapped air. Wash the cartridge. Remove calcium deposits or other chemical sediments. Open inlet flap in the bottom lid to remove dirt and/or trapped air.
Power supply is not working	Not plugged in properly or main socket is damaged	Check connection at cleaner power supply and main power supply.

REPLACEMENT PARTS



Item No.	Part No.	Description
1	360400	Power Supply
2	360527	Filter Basket Assembly
3	360339	Impeller Cover
4	360340	Impeller
5	360522	Motor Unit
6	360342	Track
7	360523	Communication Cable
8	360344	Cable Float
9	360345	Active Brush
10	360346	Brush Mounting
11	360347	Front Wheel
12	360388	Front Wheel Bushing
13	360348	Rear Wheel Assembly
14	360349	Filter Cover
15	360350	Intermediate Cover
16	360351	Side Cover, Right
17	360352	Side Cover, Left
18	360354	Internal Top Float and Housing
19	360355	Internal Bottom Float and Housing
20	360356	Front Rubber Cover
21	360524	External Housing
22	360359	Latch
*	360528	Pleated Filter Screen (Qty. 2)

Note (*): Not Shown

NOTES



1620 HAWKINS AVE., SANFORD, NC 27330 • (919) 566-8000
10951 WEST LOS ANGELES AVE., MOORPARK, CA 93021 • (805) 553-5000

WWW.PENTAIR.COM

All indicated Pentair trademarks and logos are property of Pentair Inc. or its global affiliates in the U.S.A and/or other countries. Third party registered and unregistered trademarks and logos are the property of their respective owners. Because we are continuously improving our products and services, Pentair reserves the right to change specifications without prior notice. Pentair is an equal opportunity employer.

© 2020 Pentair. All rights reserved. This document is subject to change without notice.



P/N 371405 REV. A 1/27/20

8151694