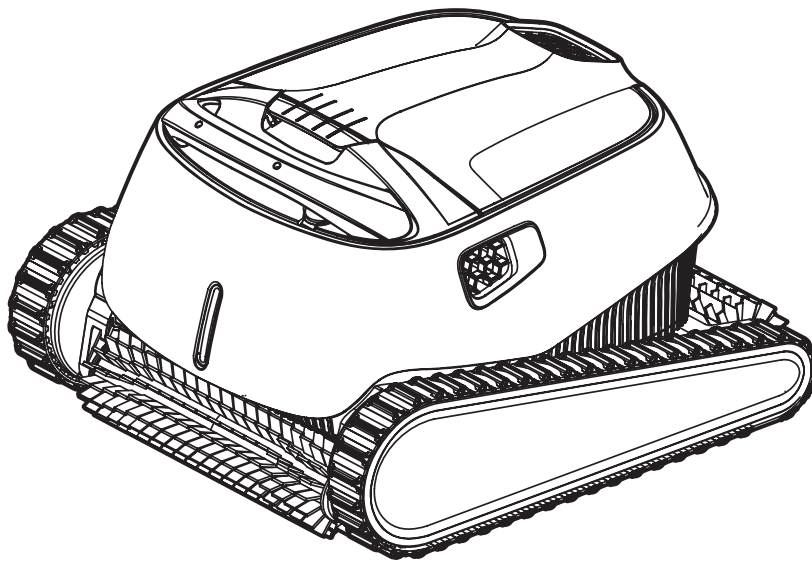




PROWLER[®] 920 (P/N 360322)

WARRIOR[®] SE (P/N 360494)

ROBOTIC INGROUND POOL CLEANER



INSTALLATION AND USER'S GUIDE

IMPORTANT SAFETY INSTRUCTIONS
READ AND FOLLOW ALL INSTRUCTIONS
SAVE THESE INSTRUCTIONS

IMPORTANT WARNING AND SAFETY INSTRUCTIONS



Important Notice:

Attention Installer: This guide contains important information about the installation, operation and safe use of this product. This information should be given to the owner and/or operator of this equipment after installation of the pool cleaner.

Attention User: This manual contains important information that will help you in operating and maintaining this pool cleaner. Please retain it for future reference. Consult Pentair with any questions regarding this equipment.

WARNING Before installing this product, read and follow all warning notices and instructions which are included. Failure to follow safety warnings and instructions can result in severe injury, death, or property damage. Call (800) 831-7133 for additional free copies of these instructions.

Consumer Information and Safety

The pool cleaners are designed and manufactured to provide many years of safe and reliable service when installed, operated and maintained according to the information in this manual. Throughout the manual, safety warnings and cautions are identified by the “⚠” symbol. Be sure to read and comply with all of the warnings and cautions.

WARNING RISK OF ELECTRICAL SHOCK OR ELECTROCUTION.



Connect only to a grounding type receptacle protected by a ground-fault circuit-interrupter (GFCI). Contact a qualified electrician if you cannot verify that the receptacle is protected by a GFCI.

WARNING HAZARDOUS SUCTION.



Do not play with cleaner or hose or apply to body. Can trap and tear hair or body parts. Hose can trip or entangle swimmers which could result in drowning.

WARNING Do not operate the robotic pool cleaner when there are people swimming in the pool. Hose can trip or entangle swimmers which could result in drowning.

WARNING When examining the robotic pool cleaner, disconnect the main power supply.

WARNING Keep the robotic pool cleaner out of reach of children.

WARNING Keep the robotic pool cleaner out of reach of persons with reduced physical, sensory or mental capabilities, or lack of experience and knowledge, without proper supervision and understanding of the instructions.

WARNING Only an original power cable must be used, at all times. Replaced by a robotic pool cleaner certified technician, in case of need to avoid hazard.

WARNING To reduce the risk of electrical shock, do not use extension cord to connect unit to electrical supply; provide a properly located outlet.

WARNING This product contains a chemical known to the state of California to cause cancer, birth defects or other reproductive harm.

CAUTION Only a trained operator should operate the robotic pool cleaner.

CAUTION To avoid hand injury, operator should keep hands away from driving belt mechanism.

CAUTION Position the caddy and power supply at least 12 feet (3.5 m) from the edge of the pool during operation.

CAUTION Do not bury cord - locate cord to minimize abuse from lawn mowers, hedge trimmers and other equipment.

CAUTION When lifting the robotic pool cleaner, take care to prevent back injury.

General Installation Information

FCC Statement

NOTE: This equipment has been tested and found to comply with the limits for a Class B digital device, pursuant to part 15 of the FCC Rules. These limits are designed to provide reasonable protection against harmful interference in a residential installation. This equipment generates, uses and can radiate radio frequency energy and, if installed and used in accordance with the instructions, guarantees that interference will not occur in a particular installation. If this equipment does cause harmful interference to radio or television reception, which can be determined by turning the equipment off and on, the user is encouraged to try to correct interference by one or more following measures:

- Reorient or relocate the receiving antenna.
- Increase the separation between the equipment and the receiver.
- Connect the equipment into an outlet on a circuit different from that to which the receiver is connected.
- Consult the dealer or an experienced radio/TV technician for help.

Changes or modifications to this equipment not expressly approved by the party responsible for compliance (Pentair) could void the user's authority to operate this equipment.

Pre-Installation Check List

Before installing your cleaner, review and understand all warnings and safety information in this guide. Failure to follow these instructions or improper installation of the cleaner can result in damage to the pool finish or the vinyl liner, Pentair Aquatic Systems disclaims any liability for repairs or replacement to any of these structures or components of the customer's pool.

Before installing the cleaner in a vinyl liner pool:

Check liner closely for signs of deterioration or damage from age, chemicals, pool wall damage, etc. If any damage is found, have a qualified pool professional make all the necessary repairs. Also, if there are stones, roots, etc., under the liner, remove them before installing the cleaner.

Before installing the cleaner in a gunite pool or a pool that is partially or completely tiled:

Repair loose tiles and tighten any loose light rings.

Before installing the cleaner, clean your filter system:

Make sure you have cleaned the filter, including backwashing, rinsing, and emptying all baskets. A clean system is necessary for proper cleaner operation and coverage.

Before installing the cleaner, understand cleaner coverage:

The cleaner is designed to rid your pool of debris in approximately 4-6 hours. Less time could be needed, depending on the pool size. The cleaner was not designed to automatically clean steps or swimouts or to work under a solar cover. It was also not designed to do initial cleanup for a new pool or when opening your pool for the season.

AFTER installing the cleaner, make sure the cleaner is operating correctly:

The cleaner may need some minor adjustments to make sure it is operating properly so there is no damage to the pool finish. Certain vinyl liner patterns are particularly susceptible to surface wear, pattern removal, ink rubbing off of, or serious scratches to the pattern caused by objects coming into contact with the vinyl surface, including automatic pool cleaners. Pentair Aquatic Systems is not responsible for any pattern removal, abrasions or markings on vinyl liners.

IMPORTANT WARNING AND SAFETY INSTRUCTIONS

Disclaimer of Liability About your Pool and Cleaner

There are a multitude of factors that contribute to the life of your pool. These robotic pool cleaners are very passive products that will have no impact on pool life.

Please be aware that over time, deterioration, discoloration and brittleness of any pool finish can be caused separately by, or in combination with, age, an imbalance in pool water chemistry, improper installation and other factors. Robotic pool cleaners will not remove or cause wear on “good” pool plaster. In fact, the opposite is true—pool plaster will eventually cause wear on the cleaner.

The same situation holds true for vinyl-lined in-ground swimming pools, because vinyl liners are also affected by the environment and factors such as pool water chemistry, sunlight and the pool’s surroundings. Therefore over time, vinyl can become brittle and weak. In addition, vinyl-lined pools are affected by the workmanship, composition and installation of the liner and the workmanship and quality of construction of the supporting walls and pool base. These are all factors which can contribute to liner failure. The existence of any of these type of conditions in your pool is not caused by the use or operation of the cleaner. The manufacturer disclaims any liability for repairs or replacement to any of these structures or components of the customer’s pool.

The pool owner must assume all responsibility for the condition and maintenance of the pool’s surface, water and deck.

SAVE THESE INSTRUCTIONS

CUSTOMER SERVICE / TECHNICAL SUPPORT

If you have questions about ordering Pentair replacement parts, and pool products, please use the following contact information:

Customer Service

(8 A.M. to 4:30 P.M. — Eastern and Pacific Times)
 Phone: (800) 831-7133
 Fax: (800) 284-4151

Web site

Visit www.pentair.com to find information about Pentair products.*

Technical Support

Sanford, North Carolina (8 A.M. to 4:30 P.M. ET)

Phone: (919) 566-8000
 Fax: (919) 566-8920

Moorpark, California (8 A.M. to 4:30 P.M. PT)

Phone: (805) 553-5000 (Ext. 5591)
 Fax: (805) 553-5515

TABLE OF CONTENTS

Important Warning and Safety Instructions	i	Maintenance	4
Preparation of the Pool and Cleaner	1	LED Indicator Lights	4
Overview	1	Removing the Cleaner from the Pool	4
Cleaner Components	1	Cleaning the Filter Basket	5
Cleaner Features	1	Periodic Filter Screen Cleaning	6
Initial Setup	1	Cleaning the Impeller	7
Operation	3	Storing the Cleaner	8
Weekly Timer	3	Troubleshooting	9
Setting the Weekly Timer	3	Replacement Parts	10

* Translated versions of this manual are available online at / La versión en español de este manual del producto, se puede encontrar en línea a / La version française de ce manuel est disponible à : https://www.pentair.com/en/products/pool-spa-equipment/pool-cleaners/kreepy_krauly_prowler920ingroundpoolcleaner.html

PREPARATION OF THE POOL AND CLEANER

Overview

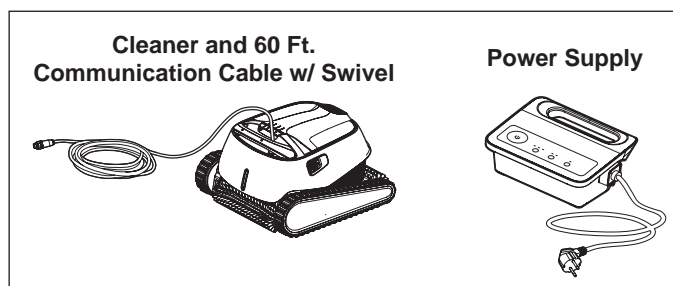
Prowler® 920 and Warrior® SE Robotic Pool Cleaners are designed to scrub, vacuum, and filter (including the waterline) your inground pool. Before operating this product, be sure to read and follow all warning and safety instructions on pages ii-iii.

Cleaner Components:

- Cleaner and 60 ft. Communication Cable with Swivel
- Power Supply

Cleaner Features:

- Weekly Timer
- Wall and Waterline Scrubbing
- Top Loading Basket Filtration

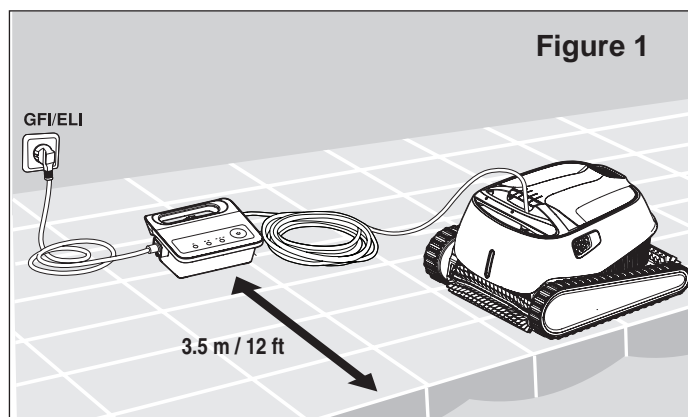


Initial Setup

Before using the cleaner for the first time, perform the following procedures:

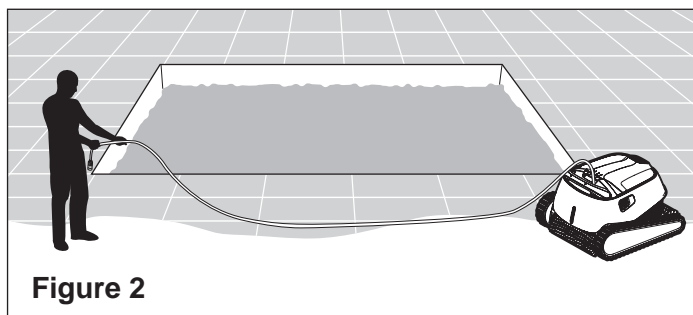
STEP 1: Power Supply Placement

Position the power supply at least 12 feet (3.5 m) from the edge of the pool. See **Figure 1**.



STEP 2: Unroll Cleaner Cable

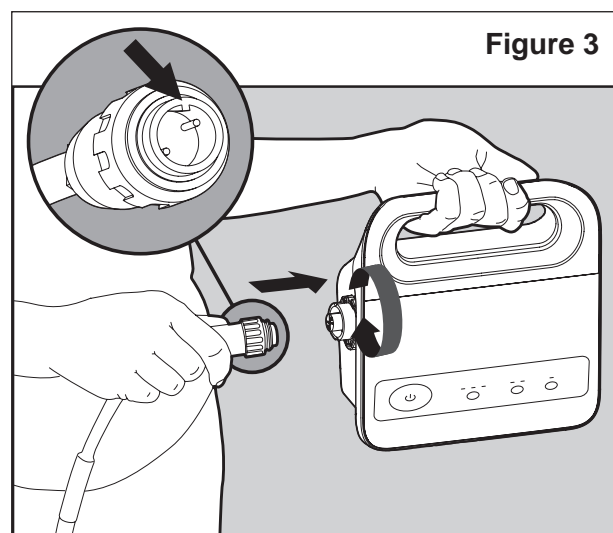
Unroll the cable and stretch it out completely so that it has no kinks. See **Figure 2**.



STEP 3: Connect Power Supply to Cleaner

Connect the communication cable to the power supply.

Ensure the connector notch is lined up with the corresponding groove in the socket on the power supply. Turn the cable connector clockwise to lock the cable into the power supply connection. See **Figure 3**.

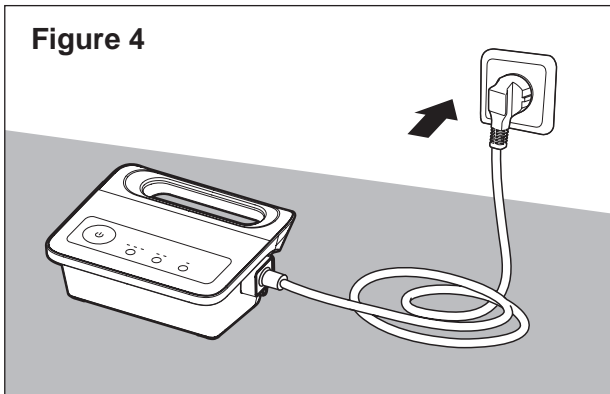


STEP 4: Connect Power Supply to Power Source

Connect the power supply to the electrical source/outlet. See **Figure 4**.

⚠ WARNING RISK OF ELECTRICAL SHOCK OR ELECTROCUTION: Connect only to a grounding type receptacle protected by a ground-fault circuit-interrupter (GFCI). Contact a qualified electrician if you cannot verify that the receptacle is protected by a GFCI.

⚠ WARNING To reduce the risk of electrical shock, do not use extension cord to connect unit to electrical supply; provide a properly located outlet.



STEP 5: Placing the Cleaner in the Pool

⚠ CAUTION Do not switch the pool cleaner to “ON” if it is not fully immersed in water. Operating the cleaner out of water will immediately cause severe damage and will result in loss of warranty. Do not leave the cleaner in the pool all the time. Always remember to turn the power supply “OFF” and unplug it from the power outlet before removing the cleaner from the pool.

1. Be sure the power supply is positioned at least 12 feet (3.5 m) from the pool.
2. Lower the cleaner into the pool by the handle (see **Figure 5**).
Note: Never lower the cleaner into the pool by the communication cable. This puts an unnecessary strain on the cable and could result in damage to the cleaner.
3. Gently tilt the cleaner from side to side or turn upside down to release trapped air. See **Figure 6**.

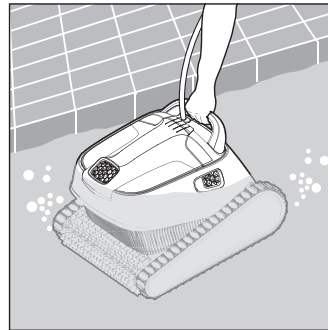


Figure 5

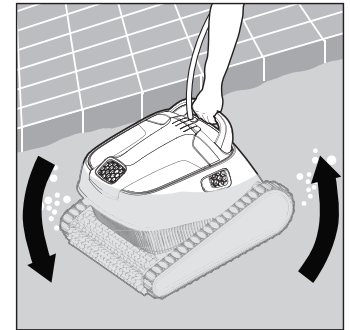


Figure 6

OPERATION

Weekly Timer

The power supply has a timer control that allows you to set an automatic cleaning schedule each week. Be sure the cleaner is fully immersed in water before turning on the power.

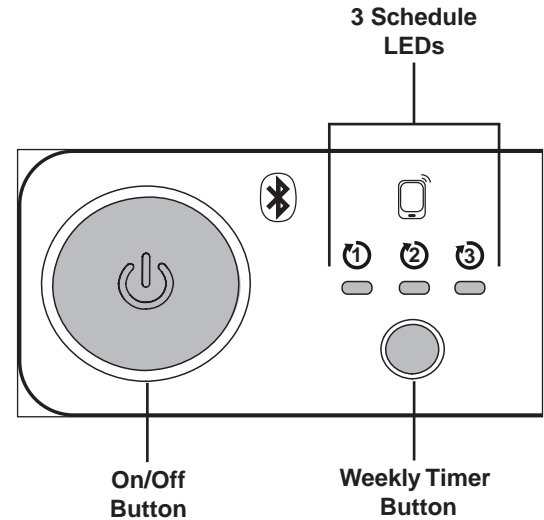
Setting the Weekly Timer

When the power supply is switched on, you may choose a pool cleaning schedule for the coming week by pressing the Weekly Timer button.

Note: The cleaner will always begin to work upon set-up.

Schedule LEDs:

- LED 1** - The cleaner will automatically work every day for a full cycle = 7 times per week. Press the Weekly Timer button once to select this interval.
- LED 2** - The cleaner will automatically work every other day for a full cycle = 3 times per week. Press the Weekly Timer button twice to select this interval.
- LED 3** - The cleaner will automatically work every 3 days = 2 times a week. Press the Weekly Timer button three times to select this interval.



Pressing the Weekly Timer button four consecutive times will reset the cleaner's schedule. If you do not press any of the buttons within the first 5 seconds after the power has been switched on, the cleaner will default to running one cycle only.

While the cleaner is working in weekly timer mode, the appropriate Weekly Timer LED will blink constantly between cycles. At the end of the week the power supply automatically shuts off.

MAINTENANCE

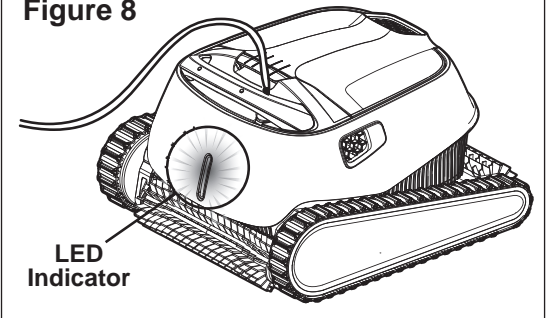


WARNING Make sure the cleaner's power supply is turned "OFF" and is disconnected from the electrical source/outlet before servicing the cleaner. Moving parts may injure hands or fingers if cleaner inadvertently powers on during servicing.

LED Indicator Lights

The Prowler® 920 or Warrior® SE Robotic Pool Cleaner includes an LED indicator just above the scrubber on the front side of the cleaner (see **Figure 8**). During normal operation powered by the power supply the LED indicator will blink blue.

Figure 8



Removing the Cleaner from the Pool

The cleaner will shut off automatically at the end of a cleaning cycle. Follow the steps below to remove the cleaner from the pool.



CAUTION Ensure the power supply is turned "OFF" and disconnected from the electrical source/outlet before removing the cleaner from the pool. Operating the cleaner out of water will immediately cause severe damage and will result in loss of warranty. Do not leave the cleaner in the pool all the time.

1. Disconnect the power supply cable from the electrical outlet and disconnect the cleaner communication cable from the power supply.
2. Using the communication cable, slowly and gently pull the cleaner to the waterline at the edge of the pool until you can reach the handle. **DO NOT** lift the cleaner out of the water by the cable.
3. Using the handle, lift the cleaner out of the pool. See **Figure 9**.
Note: Never lift the cleaner out of the pool by the communication cable. This puts an unnecessary strain on the cable and could result in damage to the cleaner.
4. Place the cleaner on the edge of the pool and allow excess water to drain from the cleaner body and basket. See **Figure 10**.
5. Disconnect the communication cable from the power supply.
6. Store the cleaner in a covered area with the communication cable coiled.

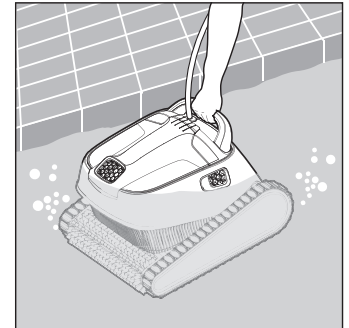


Figure 9



Figure 10

Cleaning the Filter Basket

Note: It is highly recommended that you clean the filter basket after each cleaning cycle. Too much debris in the filter will restrict the suction power of the Prowler® 920 or Warrior® SE Robotic Pool Cleaner and reduce its effectiveness.

To clean the filter basket, follow the instructions given below:

STEP 1:

Open the Filter Cover

When the filter cover is opened the filter basket handle will pop up independently. See **Figure 12**.

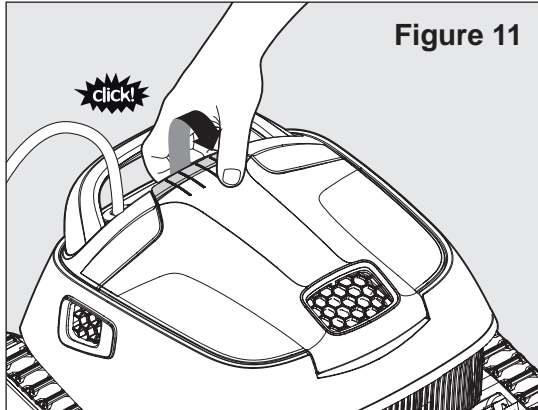


Figure 11

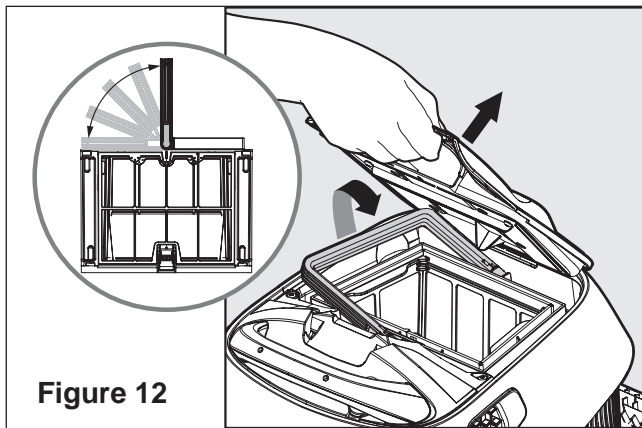


Figure 12

STEP 2:

Lift the basket out of the cleaner body.

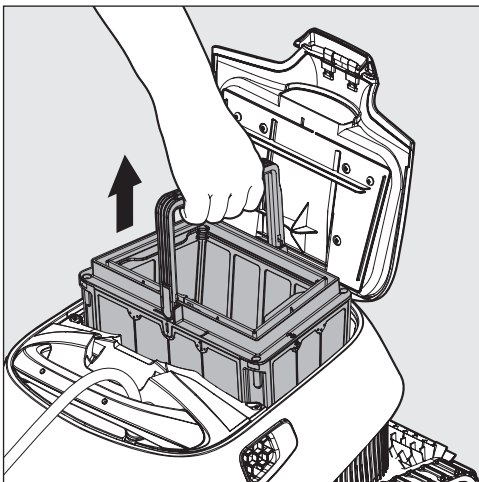


Figure 13

STEP 3:

Empty the Filter Basket

Open the latch at the bottom of the filter basket. This will release the bottom lid of the basket and dump much of the collected debris. See **Figure 14**.

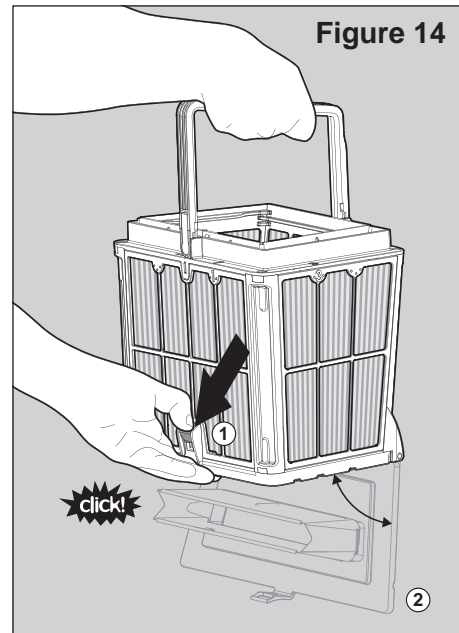


Figure 14

STEP 4:

Clean the Filter Basket

Thoroughly clean the filter basket with a garden hose. See **Figure 15**.

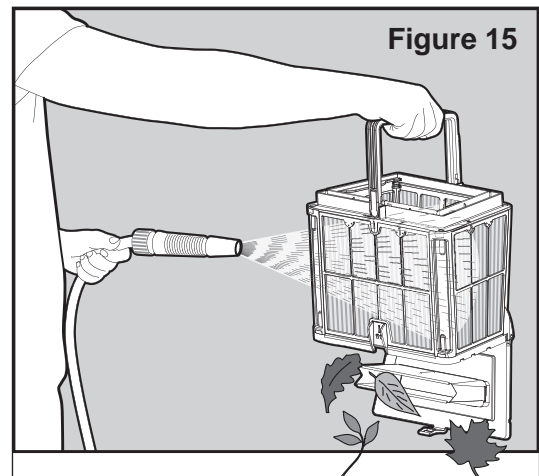


Figure 15

Periodic Filter Screen Cleaning

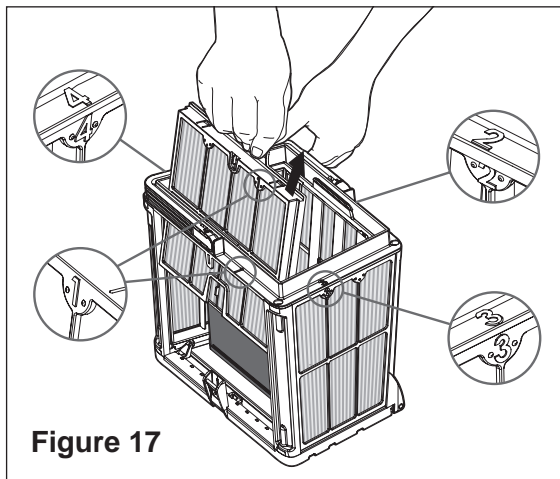
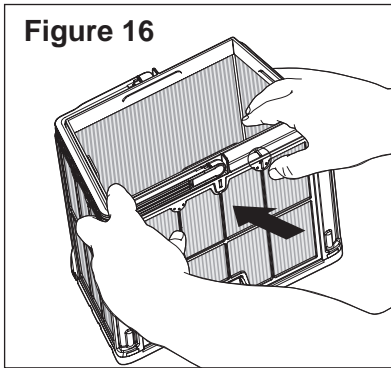
Note: It is recommended that you clean the filter screens at least once a month. Too much debris in the filter screens will restrict the suction power of the Prowler® 920 or Warrior® SE Robotic Pool Cleaner and reduce its effectiveness.

To dismantle and clean the four filter screens, follow the instructions given below.

STEP 1: Remove the Filter Screens

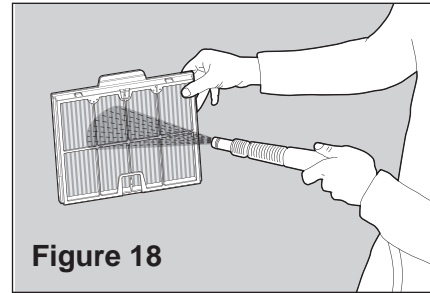
Using your thumbs, firmly press inwards on the top of Panel 1 to remove the filter screen from its frame (see **Figure 16**).

Each filter screen is stamped with a number (see **Figure 17**). Remove the filter screens in numerical order; Screen 1 > 2 > 3 > 4.



STEP 2: Clean the Filter Screens

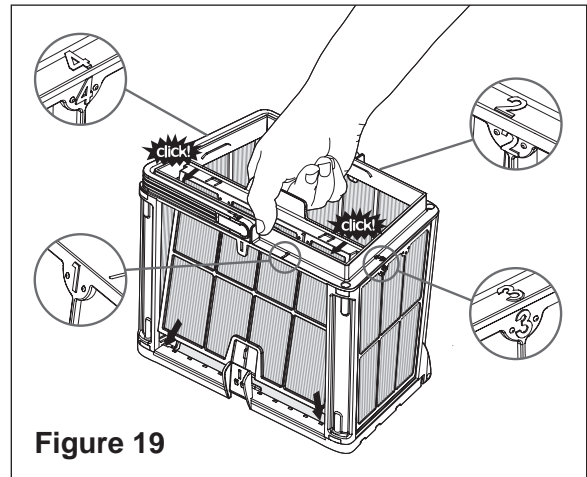
Thoroughly clean the filter screens with a garden hose. See **Figure 18**.



STEP 3: Reassemble the Filter Screens

Replace the filter screens by seating the bottom of the screen into its frame, then pushing firmly outwards on the top of the screen until a click is heard.

Each filter screen is stamped with a number (see **Figure 19**). Replace the filter screens in numerical order; Screen 4 > 3 > 2 > 1.



Cleaning the Impeller



WARNING Always disconnect power to the cleaner before servicing, disassembly, or reassembly. Failure to do so could result in death or serious injury to servicemen, pool users or others due to electrical shock. Read all servicing instructions before servicing the cleaner.

Every so often debris may become trapped in the Prowler® 920 or Warrior® SE Robotic Pool Cleaner's impeller. To clean out debris trapped in the impeller opening, follow the instructions below:

STEP 1:

Open the Filter Cover and Remove the Basket

See **Figure 20** and **Figure 21**.

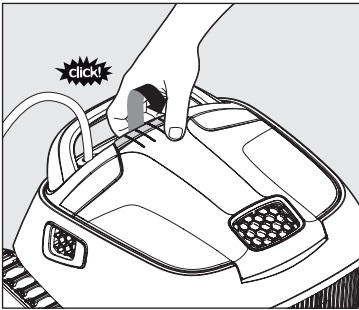


Figure 20

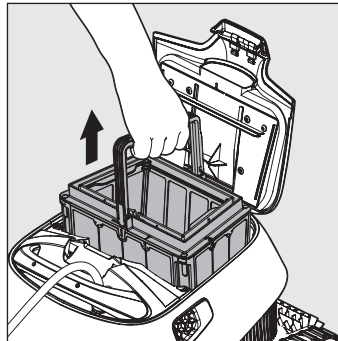


Figure 21

STEP 2:

Unmount and Remove the Intermediate Cover and Manifold Assembly

1. Using a No. 2 Phillips-head screwdriver, remove the two screws that hold the intermediate cover and manifold assembly in place. These screws can be found in the inside corners of the intermediate cover. See **Figure 22**.
2. Place the two screws to the side.
3. Gently pull the intermediate cover (Item #2 in **Figure 22**) away from the cleaner and place it to the side.
4. Gently pull the manifold assembly (Item #3 in **Figure 22**) away from the cleaner and place it to the side.

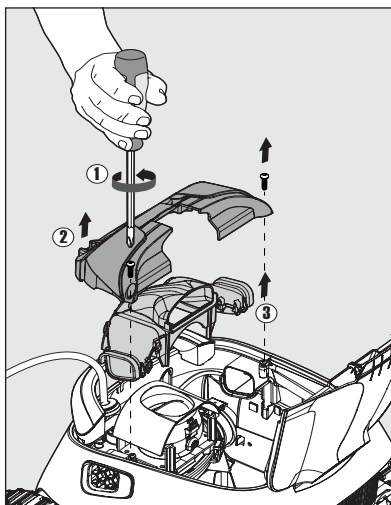


Figure 22

STEP 3:

Unmount and Remove the Impeller Cover

Press the tabs on both sides of the impeller cover (Item #1 in **Figure 23**) to unlock the cover from the impeller assembly. While pressing both tabs, pull the cover away from the cleaner.

Place the impeller cover to the side.

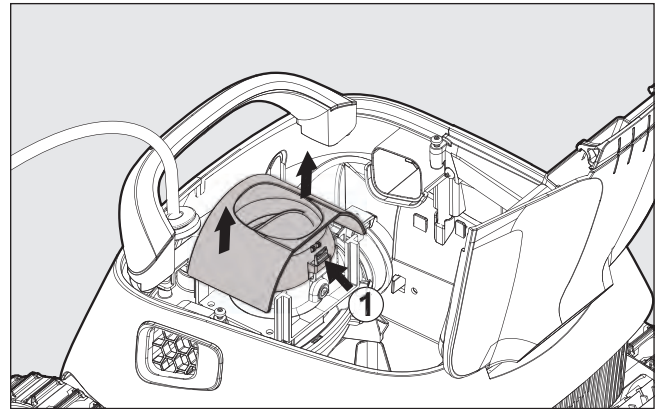


Figure 23

STEP 4:

Clean Debris from the Impeller

By hand, remove any debris that has become trapped around the impeller. See **Figure 24**.

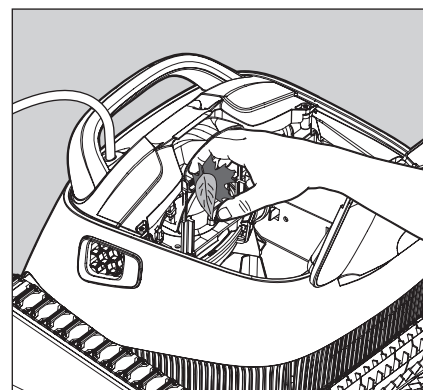


Figure 24

STEP 5: Remount the Impeller Cover

Gently push the impeller cover back onto the impeller assembly. See **Figure 25**.

The tabs on the motor unit will lock the cover into place.

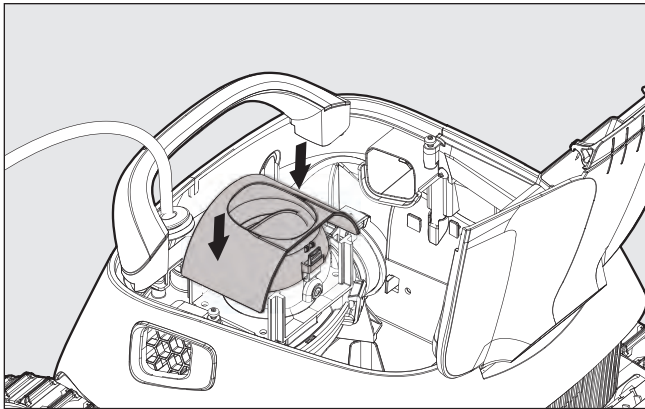


Figure 25

STEP 6: Remount the Intermediate Cover and Manifold Assembly

Reseat the intermediate cover and manifold assembly and reinstall the two screws that hold the cover and manifold assembly in place. See **Figure 26**.

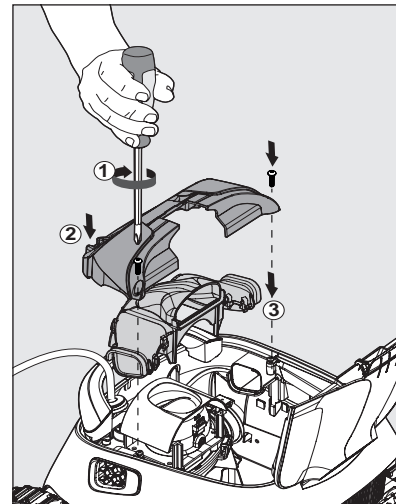


Figure 26

Storing the Cleaner

Any time the cleaner will not be in use for an extended period of time, for example during the winter, follow the storage recommendations below:

- Be sure to disconnect the power supply after use.
- Store the power supply, cable, and cleaner with the caddy if included with the cleaner.
- Store the cleaner in a protected area out of direct sun, rain and frost, at a temperature between 5°-45°C / 41°-113°F.
- Drain all water from the pool cleaner.
- Thoroughly clean the filter basket and filter screens and store the cleaner with them installed.

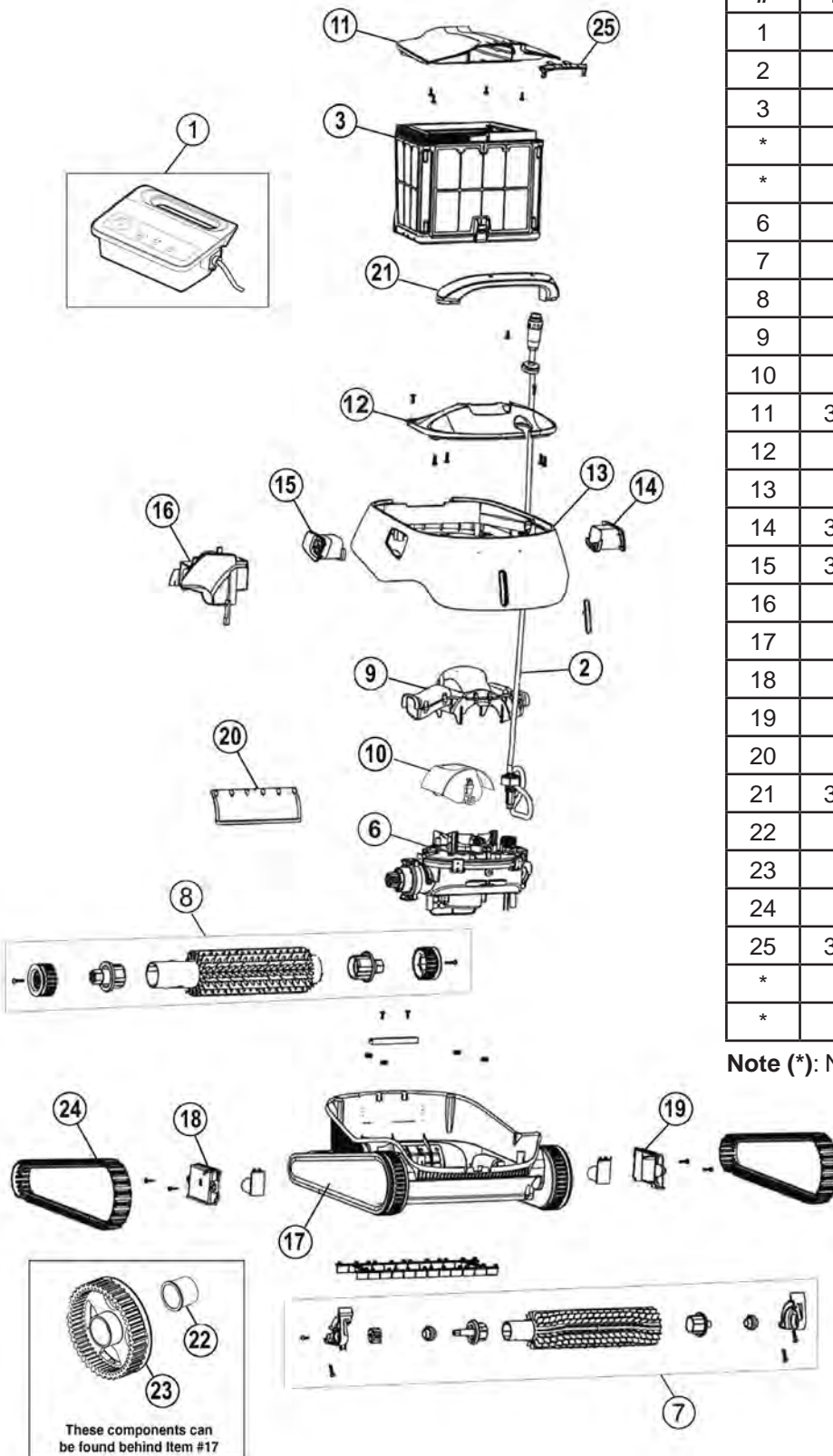
TROUBLESHOOTING

Problem	Possible Cause	Corrective Action
Cable twisting or cable coils up.	Obstruction in pool Gets stuck on main drain cover Excess cable in the pool	Remove obstruction in pool. Turn off filter and install main drain cover ring. Straighten cable and lay in sun periodically. Remove excess cable from pool.
Cleaner is moving in circles	Dirt stuck in moving parts Tracks worn due to extended use Power supply positioned incorrectly Algae in pool	Remove dirt from moving parts. Contact your dealer. Replace tracks. Place power supply in a position so that the cleaner can reach all walls. Correct pool and water conditions.
Cleaner does not reach all areas of the pool	Power supply positioned incorrectly Cleaner does not climb walls Algae on pool walls and floor Pool filter and pump is on	Place power supply in a position so that the cleaner can reach all walls. Check reasons for not climbing walls below. Brush pool walls and floor. Turn off pool filter and pump and run another cleaning cycle.
Cleaner does not climb walls	Cleaner is too heavy Algae on walls Water temperature too low and/or too high Brushes are worn Debris caught around impeller Cleaner is too light from trapped air Unsuitable pH level	Clean and wash cartridge. Brush walls. Ideal water temperature between 43-95°F (6-35°C) Replace brushes - contact your dealer. Clean impeller (see page 7). Turn cleaner upside down under water to remove trapped air. Check pH level - should be between 7.4 - 7.8; minimum level of 7.2.
Motor not working	Impeller blocked Drive system blocked Electrical problem - motor unit, communication cable, or power supply	Clean impeller (see page 7). Clean tracks and wheels. Consult with your dealer or service center.
Cleaner will not sink	Air caught in trapped in cleaner	Turn cleaner upside down under water to remove trapped air. Wash the cartridge. Remove calcium deposits or other chemical sediments. Open inlet flap in the bottom lid to remove dirt and/or trapped air.
Power supply or power supply switch light is not working	Not plugged in properly or main socket is damaged	Reconnect and check main power supply.

REPLACEMENT PARTS

Item #	Prowler Part #	Warrior Part #	Description
1	360400		Power Supply
2	360499		Communication Cable
3	360362		Filter Basket
*	360363		Cartridge Filter Kit
*	360364		Net Filter Kit
6	360365		Motor Unit
7	360366		Front Brush Assembly
8	360367		Rear Brush Assembly
9	360370		Manifold Assembly
10	360371		Impeller Cover
11	360374	360501	Filter Cover
12	360375		Intermediate Cover
13	360376		External Housing
14	360377	360502	Left Grill
15	360378	360503	Right Grill
16	360379		Internal Float
17	360380		Side Panel
18	360382		Bypass Cover, Right
19	360383		Bypass Cover, Left
20	360384		Rapid Drain Flap
21	360385	360504	Handle Assembly
22	360388		Front Wheel Bushing
23	360372		Front Wheel
24	360342		Track
25	360373	360500	Latch
*	360381		Rear Wheel
*	360340		Impeller

Note (*): Not Shown



NOTES



1620 HAWKINS AVE., SANFORD, NC 27330 • (919) 566-8000
10951 WEST LOS ANGELES AVE., MOORPARK, CA 93021 • (805) 553-5000

WWW.PENTAIR.COM

All Pentair trademarks and logos are owned by Pentair, plc or one of its global affiliates. Prowler® and Warrior® are trademarks and/or registered trademarks of Pentair Water Pool and Spa, Inc. and/or its affiliated companies in the United States and/ or other countries. Unless expressly noted, names and brands of third parties that may be used in this document are not used to indicate an affiliation or endorsement between the owners of these names and brands and Pentair Water Pool and Spa, Inc. Those names and brands may be the trademarks or registered trademarks of those third parties. Because we are continuously improving our products and services, Pentair reserves the right to change specifications without prior notice. Pentair is an equal opportunity employer.

© 2019 Pentair Water Pool and Spa, Inc. All rights reserved. This document is subject to change without notice.



P/N 371870 REV. D 12/20/19

8151692 Rev 02