

8 FOOT MOVEABLE LIFEGUARD CHAIR ASSEMBLY INSTRUCTIONS:

General Notes: Your 8 Foot Moveable Lifeguard Chair has been shipped with some parts pre-assembled at our factory. Prior to beginning, please inspect all pieces and boxes to ensure that parts were not damaged in transit. If damage is detected, notify your distributor/freight carrier immediately as a freight claim must be filed within a certain time frame from receipt of goods. Take a moment to review the front pages of these assembly drawings to familiarize yourself with the chair components and to verify all parts have been received. You'll notice that certain pieces are unique and will be depicted as left or right hand side (as viewed facing the pool from behind the chair).


Assembly Instructions:

Note: It is recommended that all nuts and bolts be left hand tight until entire assembly is complete unless otherwise noted. It is recommended that two people assemble this chair due to the size and weight of some of the parts. Please refer to parts drawings on page 2 for parts layout.

1. Install (5) 26" sloping ABS steps (ref. # 9) and (1) 26" sloping ABS drilled step (ref. # 10) onto the front left ladder riser (ref. # 1) and front right ladder riser (ref. # 2) using (2) 5/16" x 2 3/4" curved head bolts and 5/16" nuts (hardware is packaged with the 26" steps). **Caution - Do not over tighten as this may damage the plastic steps.**
2. Lay the ladder assembly on the deck with the armrest portion of the ladder facing upwards. Attach (2) 66" stringers (ref. # 7) to the ladder risers using (2) angle tee assemblies. Make sure that the hole on the stringer that is drilled 3/8" from the end is against the ladder riser. *Note: All angle tee assemblies consist of (1) angle tee right stamping (ref. #19), (1) angle tee left stamping (ref. # 20), (2) 3/8-16" x 2 3/4" carriage bolts (ref. # 25), (2) 3/8" lockwashers (ref. # 26), (2) 3/8" cap nuts (ref. # 27).*
3. Attach (2) 34 1/16" upper side cross brace (ref. # 6) to the ladder risers using (2) angle tee assemblies. Make sure that the hole on the side cross brace that is drilled 3/8" from the end is against the ladder riser.
4. Attach the 53 9/16" lower stretcher (ref. # 8) to the stringers (ref. # 7) using (2) split tee assemblies. *Note: All split tee assemblies consist of (2) split tee stampings (ref. #18), (2) 3/8-16" x 2 3/4" carriage bolts (ref. # 25), (2) 3/8" lockwashers (ref. # 26), (2) 3/8" cap nuts (ref. # 27).*
5. Attach the rear left leg (ref. # 3) and rear right leg (ref. # 4) to the ends of the side cross braces (ref. # 6), stretcher (ref. # 8) and ladder risers (ref. # 1 & 2) using (6) split tee assemblies.
6. Slip the umbrella ring guide (ref. # 23) over the 24 1/16" top cross brace (ref. # 5) and attach it between the ends of the rear legs using (2) split tee assemblies.
7. Install the 26" vertical ABS drilled step (ref. # 11) between the upper ends of the rear legs, using (2) 5/16" x 2 3/4" curved head bolts and 5/16" nuts (hardware is packaged with the 26" step). Holes in the top of the step should be off center towards the inside of the chair. **Caution - Do not over tighten as this may damage the plastic step.**
8. Attach the 7" wheels (long hub towards pipe) (ref. # 21) at the bottom of the front ladder risers using 7/16" elastic stop nuts (ref. # 30). Place rubber bumpers (ref. # 22) over the ends of the rear legs. Raise the chair to an upright position and tighten all remaining nuts to secure the superstructure before continuing assembly.
9. Place the footboard (ref. # 12) atop the upper ladder treads. Set the umbrella/life ring holder (ref. # 24) over one of the back holes of the footboard (to be held in place by a bolt that fastens the footboard). Attach the footboard to the front and rear treads using (4) 3/8"-16 x 2 3/4" carriage bolts (ref. # 25), (4) 3/8" flat washers (ref. # 29), (4) 3/8" lock washers (ref. # 26), and (4) 3/8"-16 hex head nuts (ref. # 28).
10. Align the square fiber gasket (ref. # 17) with the 4 center holes on the footboard. Place the seat support pedestal (ref. # 14) on top of the fiber gasket, and align the holes of the support pedestal to the holes in the gasket. Attach the support pedestal using 1/2"-13 x 2 3/4" hex head bolts (ref. # 33), 1/2" flat washers (ref. # 36), 1/2" lock washers (ref. # 35), and 1/2"-13 hex nuts (ref. # 34).
11. Remove the plastic thread protectors from the bottom of the turquoise seat (ref. # 13). Attach the seat to the top of the seat support pedestal by positioning the (4) studs on the underside of the seat through the (4) holes on the bracket on top of the support pedestal. Secure with 1/4" lock washers (ref. # 15) and 1/4"-20 hex nuts (ref. # 16). **Caution - Do not exceed 40-50 Inch pounds of torque as this may cause the bolts or seat to break.**
12. Install set screw and thumb screw (ref. #31 & 32) into umbrella ring guide (ref. # 23) and set in alignment with umbrella holder (ref. # 24).
13. Fully tighten all remaining hardware at this time.

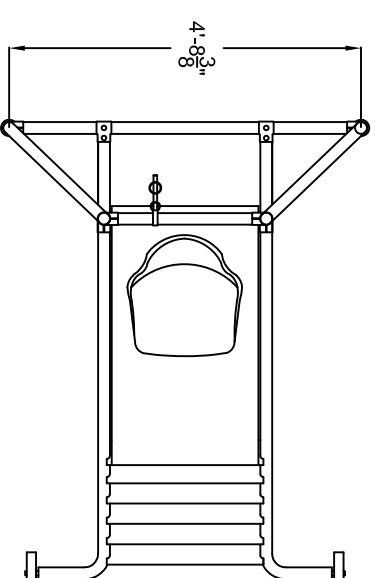
Maintenance Notes: In order to ensure that your new lifeguard chair looks good and performs good, Paragon recommends that all stainless steel parts be cleaned on a regular basis to prevent corrosion. Further, all parts, specifically plastic and fiberglass parts, should be inspected on a regular basis for wear. Any worn part should be replaced immediately. Please contact your local Paragon distributor for more information regarding recommended cleaning/maintenance programs, installation questions, or for replacement parts.

© 2009 Paragon Aquatics

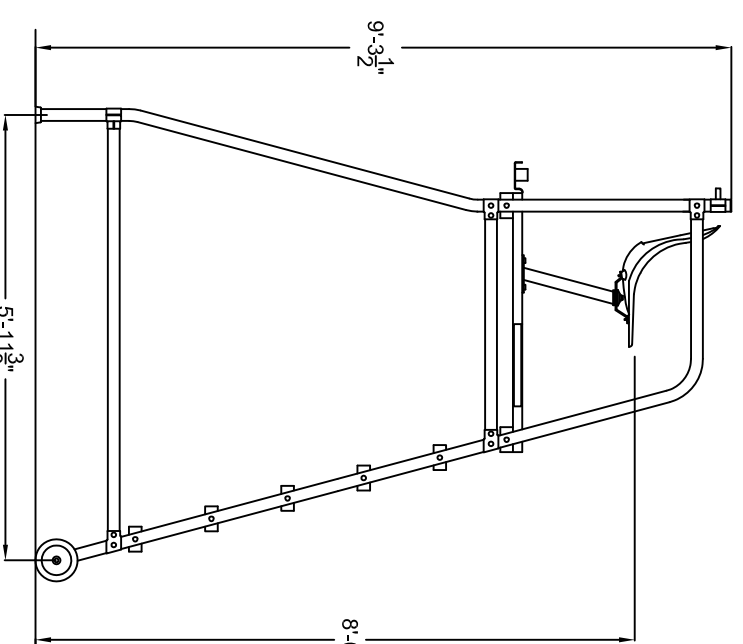
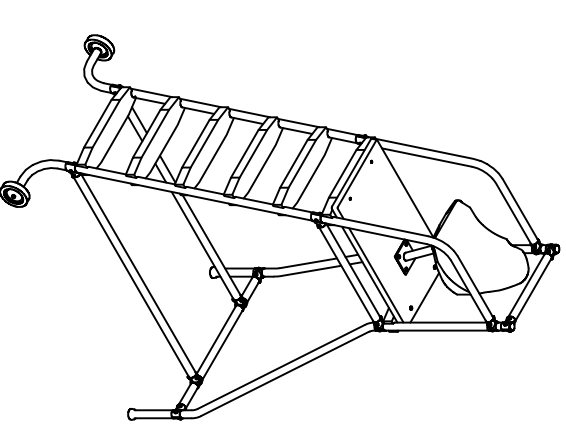
 PARAGON AQUATICS LaGrangeville, NY 12540 Phone: (845) 463-7200 Fax: (845) 463-7291		Dwn by: Date:		Title:		Material:	
1351 Route 55 LaGrangeville, NY 12540 Phone: (845) 463-7200 Fax: (845) 463-7291		RV 12/20/11		8 Foot Moveable Lifeguard Chair		See Notes/Schedule	
App by: Date:		Drawing Number:		Tolerances: (unless noted)		Scale: Rev Ltr: Sheet:	
SF 12/20/11		AI-LG20.39-8		N/A		B 3 of 3	

Assembly Instructions

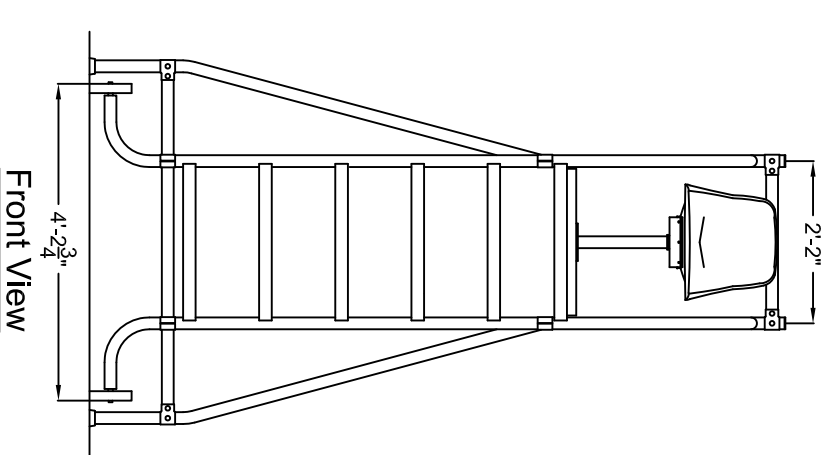
8 Foot Moveable Lifeguard Chair



Top View



Side View




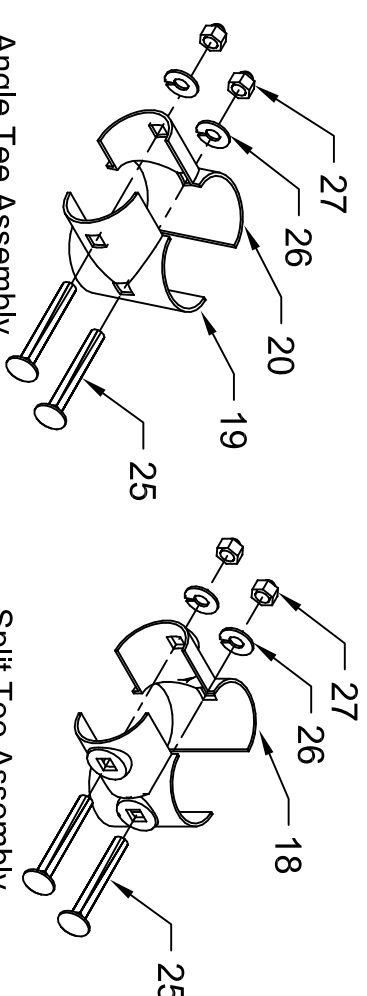
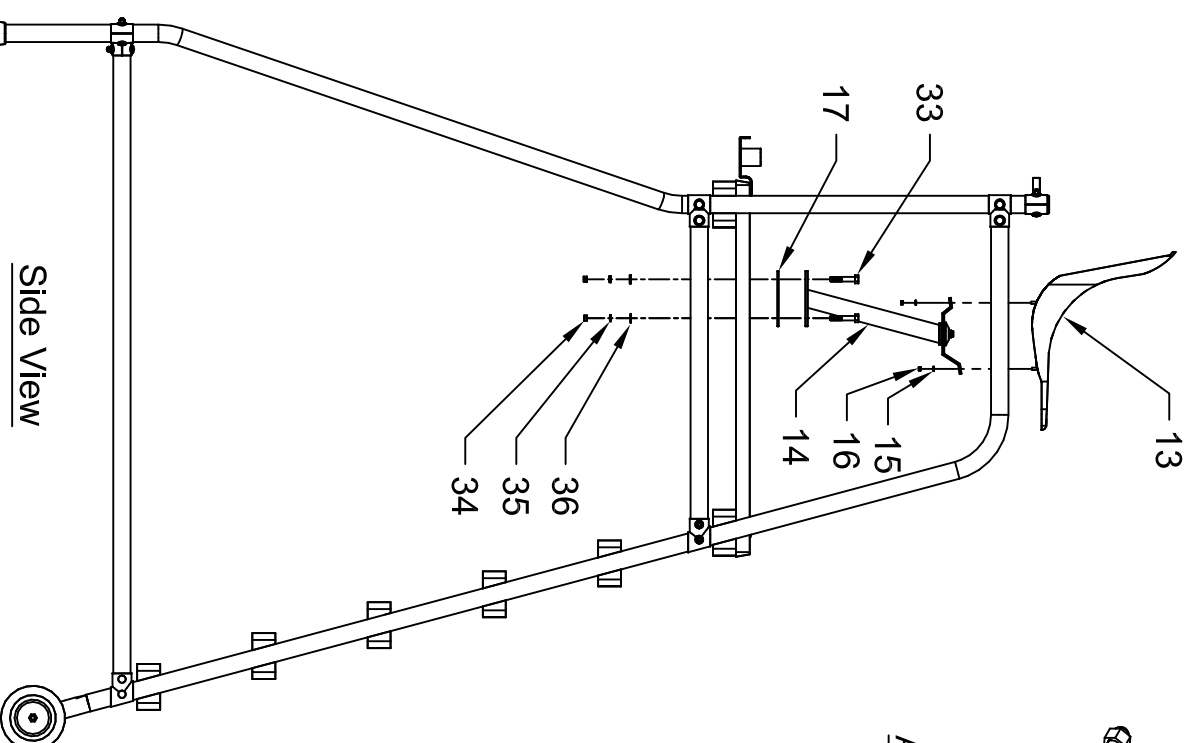
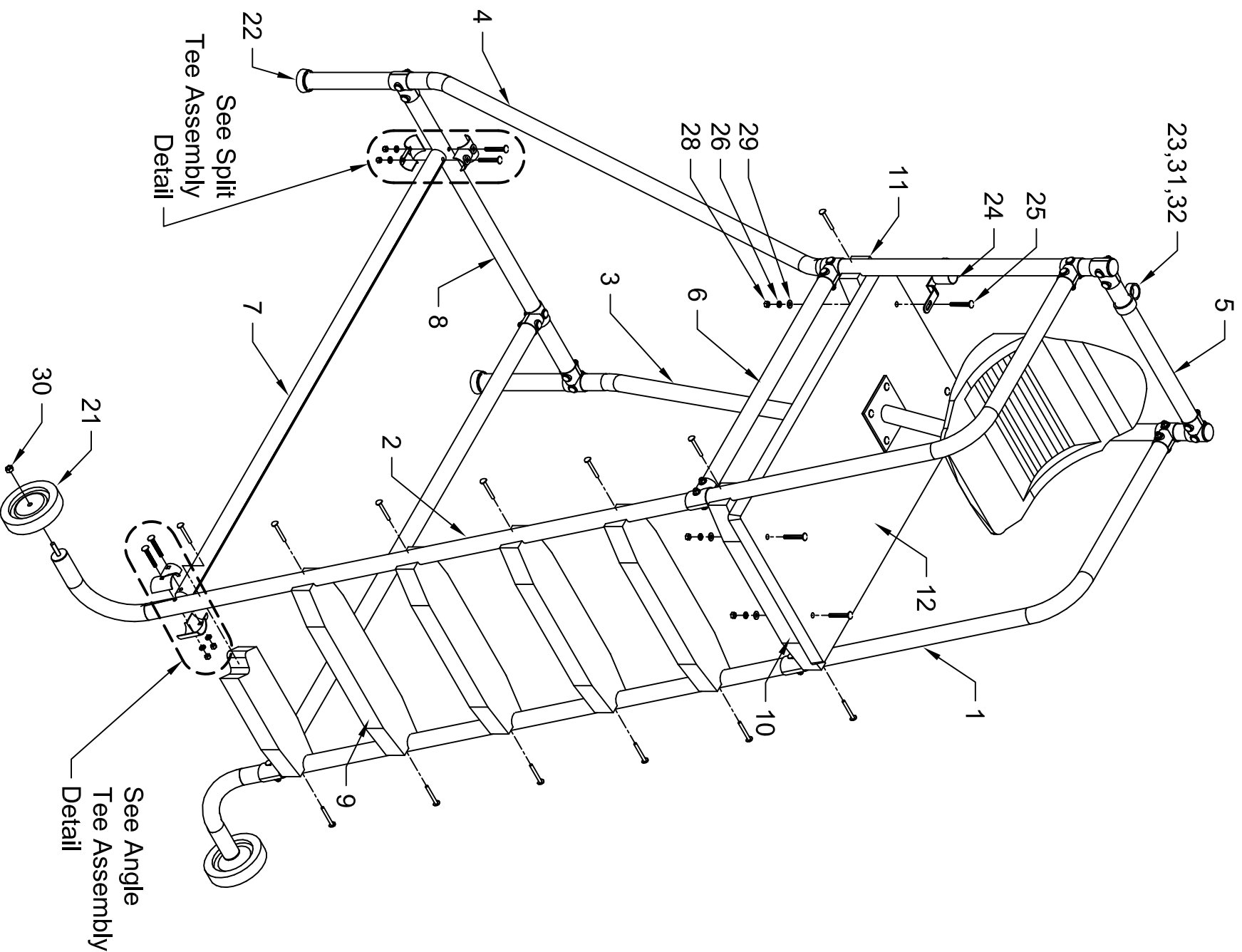
Front View

Dear Valued Customer,

Thank you for your recent purchase of our 8 Foot Moveable Lifeguard Chair. The following instructions will assist you in the assembly of your chair. Page one of this document provides a top, side, and front view of how your chair will look when assembled and also gives approximate overall dimensions. Page two is an isometric 3-dimensional drawing which will aid in parts identification as well as parts locations. Page three provides step by step written instructions on how to assemble the chair. We trust that you will enjoy much satisfaction with the equipment you have purchased, and thank you for choosing Paragon deck equipment!

© 2009 Paragon Aquatics

 PARAGON AQUATICS LaGrangeville, NY 12540 Phone: (845) 463-7200 Fax: (845) 463-7291		Dwn by: Date:		Title:		Material:	
1351 Route 55 LaGrangeville, NY 12540 Phone: (845) 463-7200 Fax: (845) 463-7291		RV 12/20/11		8 Foot Moveable Lifeguard Chair		See Notes/Schedule	
App by: Date:		Drawing Number:		Tolerances: (unless noted)		Scale: Rev Ltr: Sheet:	
SF 12/20/11		AI-LG20.39-8		N/A		B 1 of 3	



- * - Items Included In Hardware Bag #93970
- ** - Items Included In Hardware Bag #93979
- *** - Each Step Includes:
 (2) 5/16" Curved Head Bolt, s/s
 (2) 5/16" Hex Head Nut, s/s

REF #	DESCRIPTION	QTY	PART #
1	Front Left Ladder Riser	1	20301-1L
2	Front Right Ladder Riser	1	20301-1R
3	Rear Left Leg	1	20301-2L
4	Rear Right Leg	1	20301-2R
5	Top Cross Brace (24 1/16")	1	20301-3
6	Upper Side Cross Brace (34 1/16")	2	20301-4
7	Lower Stringer (66")	2	20301-5
8	Lower Stretcher (53 9/16")	1	20301-6
9 ***	26" ABS Sloping Step	5	44109
10 ****	26" ABS Sloping Step (Drilled)	1	44109D
11 ****	26" ABS Vertical Step (Drilled)	1	44107D
12	Footboard	1	20719
13	Fiberglass Seat, Turquoise	1	20700
14	Seat Support Assembly	1	20702
15 *	1/4" Split Lock Washer, s/s	4	94360
16 *	1/4" -20 Hex Head Nut, s/s	4	94350
17	Square Fiber Gasket	1	20707
18	Split Tee Stamping	20	12502
19	Angle Tee Stamping (Right)	4	12508
20	Angle Tee Stamping (Left)	4	12509
21	7" Wheel with Metal Hub	2	20720
22	Rubber Bumper	2	44201
23	Umbrella Ring Guide	1	20712
24	Umbrella/Life Ring Holder	1	20717
25 **	3/8" -16 x 2 3/4" Carriage Bolt, s/s	32	94524
26 **	3/8" Split Lock Washer, s/s	32	94562
27 **	3/8" -16 Cap Nut, s/s	28	94554
28 **	3/8" -16 Hex Head Nut, s/s	4	94550
29 **	3/8" Flat Washer, s/s	4	94564
30 **	7/16"-14 Elastic Stop Nut, s/s	2	94652
31 **	5/16"-18 x 1" Thumb Screw, s/s	1	94418
32 **	5/16"-18 x 3/8" Set Screw, s/s	1	94401
33 *	1/2"-13 x 2 3/4" Hex Head Bolt, s/s	4	94710
34 *	1/2"-13 Hex Nut, s/s	4	94750
35 *	1/2" Split Lock Washer, s/s	4	94760
36 *	1/2" Flat Washer, s/s	4	94762

This data represents the latest knowledge available to us at time of presentation. However Paragon Aquatics and others involved in gathering and presenting this drawing assume no liability for its use.

© 2009 Paragon Aquatics



PARAGON
AQUATICS

Pentair Water

1351 Route 55
LaGrangeville, NY 12540
Phone: (845) 463-7200
Fax: (845) 463-7291

Dwn by: Date: 12/20/11
RV Date: 12/20/11
App by: Date: 12/20/11
SF

Title: **8 Foot Moveable Lifeguard Chair**
Drawing Number: A1LG20.39-8

Material: See Notes/Schedule
Tolerance: (Unless noted) N/A
Scale: N/A
Rev Ltr: B
Sheet: 2 of 3