

PARAGON™ TRACK START PLUS+™ STS STARTING PLATFORM BACKPLATE FOR STANDARD PLATFORM TOPS

BACKPLATE ADJUSTS TO YOUR POSITION

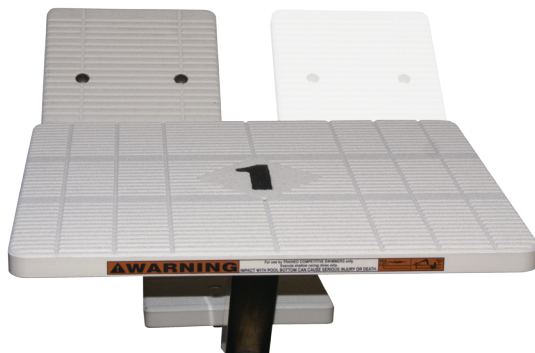
Since the release of the Track Start Plus+ backplate for the Paragon competitive starting platforms, swim coaches have asked us to consider a similar approach for the standard starting tops. With the success of the Track Start Plus+ backplate, we are proud to offer this new adjustable side-to-side backplate for our standard tops. In keeping with the modular platform design, our new backplate can be adapted to new or existing Quickset/Paraflyte (27510) and Competitor (27512) style platforms.

STANDARD FEATURES

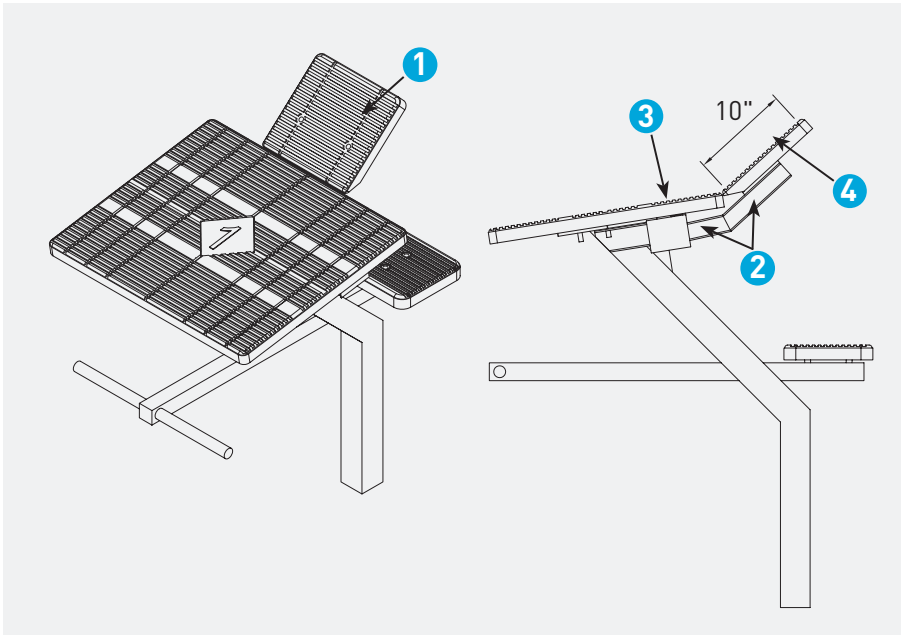
- A modular concept to enhance swimmers performance, this seamless upgrade can be added to your existing Quickset/Paraflyte or Competitor style platform.
 - Side-to-side adjustment allows for unimpeded rear access to above style platforms with or without step.
 - The adaptable frame and track are constructed of powder coated* stainless steel T304 and can be used with our without a relay judges platform(RJP).
 - The non-skid white* sand finish 9" x 10" UV inhibited polypropylene kick plate adjusts infinitely from side-to-side and can be easily removed for storage.
- * Powder coat color options available for frame as well as for the non-skid sand finish kick plate.



← Slides Side To Side →



SPECIFICATIONS



- 1 The Adjustable Backplate foot rest (9" x 10") is constructed of UV inhibited high density polypropylene. The poly foot has a dual non-skid cross-grooved, white sand textured finish surface. Custom sand finish colors are available upon request.
- 2 The Adjustable Backplate support frame is constructed from T304 stainless steel. The support frame is powder coated with a gloss black finish. Custom colors available upon request.
- 3 The Adjustable Backplate support frame can accommodate infinite positioning/comfort on full width of platform. When set to any position the Adjustable Backplate meets the FINA required minimum of 0.5 meter x 0.5 meter (19-5/8" x 19-5/8") of starting platform top area.
- 4 Adjustable backplate can be removed easily for storage. The system can be installed in the field as retro-fit or in the factory at time of order.
- 5 Can only be installed on standard 20" x 24" polypropylene tops.

General: The stainless steel frame is electro-chemically passivated and powder coated on all worked areas for maximum corrosion resistance. All hardware is 18-8 stainless steel.

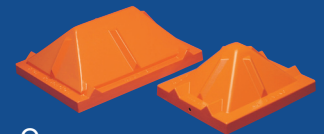
Add Color to the Top, Step or Backplate

Virtually any color can be matched using the Pantone Matching System. Color is mixed into and applied with our unique sand finish.



Sand Top Refinishing Program

Any Paragon Poly Top can be made to look new again using our Refinishing Program. Older tops will be machined to our current groove pattern prior to application of the sand finish. Adding color is an option.



Safety Covers

Constructed of tough, light-weight plastic, covers prevent unauthorized use of platforms. Installation is easy and a bungee cord is included. Covers stack easily for storage. Comes in safety orange per ANSI standards.



1351 ROUTE 55, LAGRANGEVILLE, NY 12540 845.463.7200 845.463.7291 fax WWW.PENTAIRCOMMERCIAL.COM

All Pentair trademarks and logos are owned by Pentair, Inc. Paragon™, and Track Start Plus+™ are trademarks of Pentair Water Pool and Spa, Inc. and/or its affiliated companies in the United States and/or other countries. Because we are continuously improving our products and services, Pentair reserves the right to change specifications without prior notice. Pentair is an equal opportunity employer.

5/14 © 2014 Pentair Water Pool and Spa, Inc. All rights reserved.