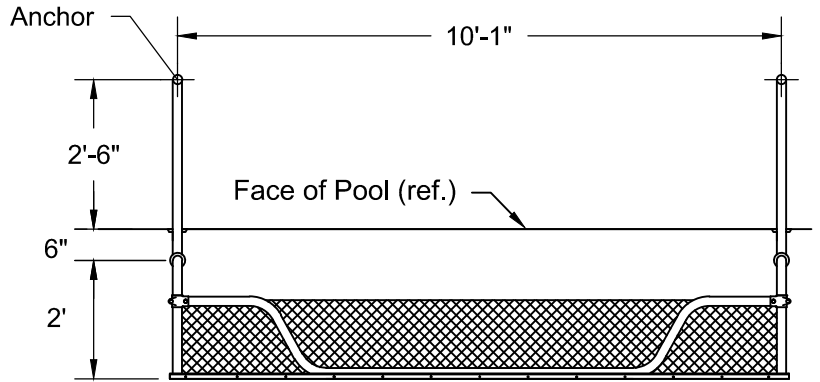
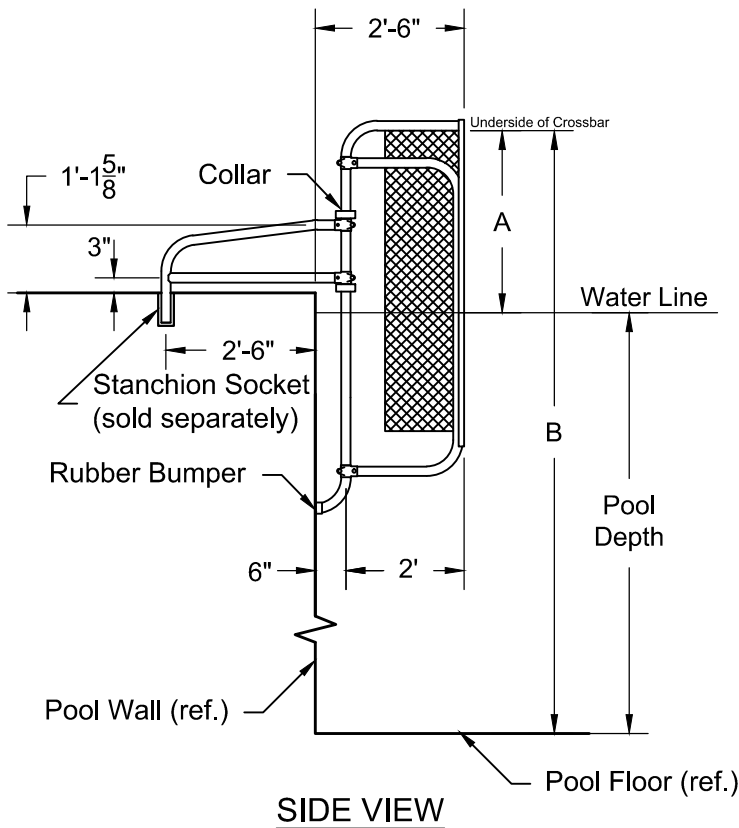


Assembly Instructions for Water Polo Goals

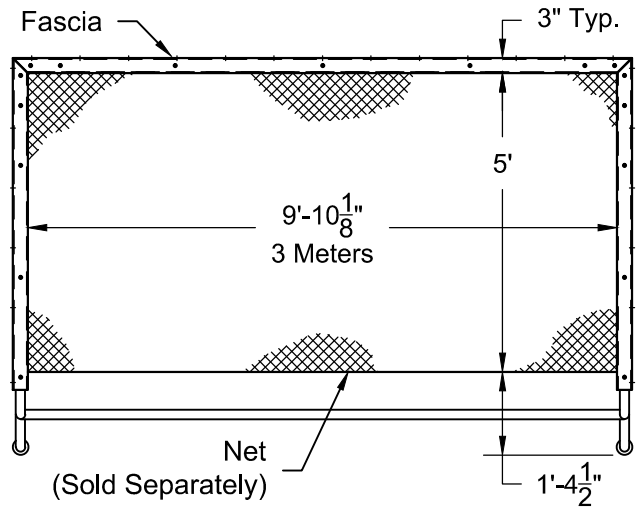
For water depth of greater than or equal to 5'-0", set A=3'-0".
 For water depth of less than 5'-0", set B=8'-0".



PLAN VIEW



SIDE VIEW



FRONT VIEW

Dear Valued Customer,
 Thank you for your recent purchase of our Water Polo Goals. The following instructions will assist you in the assembly of your water polo goals. Page one of this document provides a plan, front, and side view of how your water polo goals will look when assembled and also gives anchor locations. Page two is an isometric 3-dimensional drawing which will aid in parts identification as well as parts locations. Page three provides step by step written instructions on how to assemble the water polo goals. We trust that you will enjoy much satisfaction with the equipment you have purchased, and thank you for choosing Paragon deck equipment!



PARAGON AQUATICS
 Pentair Water
 Commercial Pool & Aquatics

1351 Route 55
 LaGrangeville, New York
 12540
 Phone: 845-463-7200
 Fax: 845-463-7291
 www.paragonaquatics.com

Dwn by: Date:
 RV 11/19/12

App by: Date:
 SF 11/19/12

Title: **Water Polo Goal Frame Assembly Drawing**

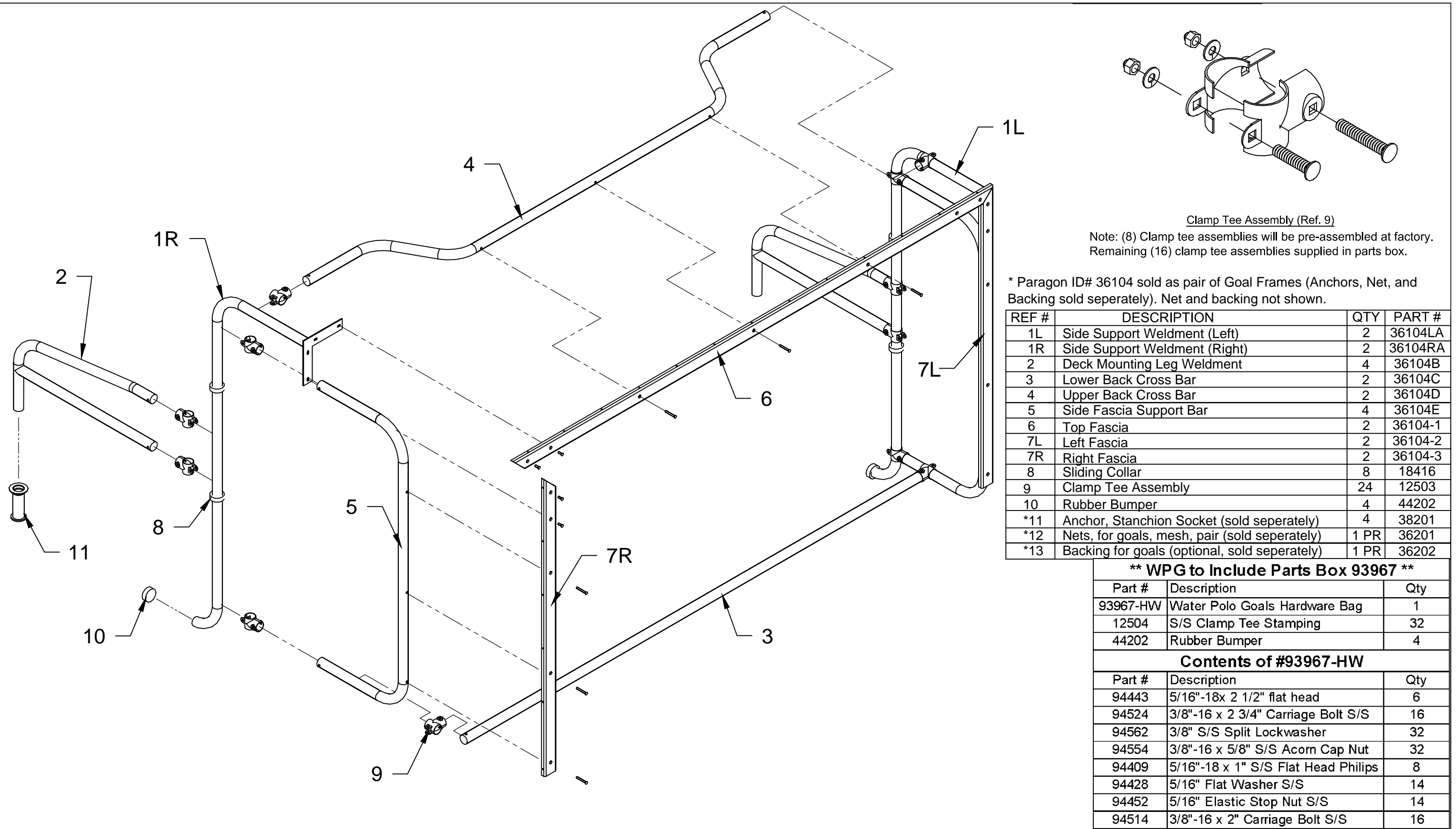
Drawing Number:
AI-WPG20.71

Tolerance:
 (Unless noted)
 N/A

Scale:
 N/A

Material:
 See Notes/Schedule

Rev Ltr: Sheet:
 F 1 of 3



This data represents the latest knowledge available to us at time of presentation. However Paragon Aquatics and others involved in gathering and presenting this drawing assume no liability for its use.

© 2012 Paragon Aquatics



**PARAGON
AQUATICS**

Pentair Water
Commerical Pool & Aquatics

1351 Route 55
LaGrangeville, New York
12540
Phone: 845-463-7200
Fax: 845-463-7291
www.paragonaquatics.com

Dwn by: Date:
RV 11/19/12

App by: Date:
SF 11/19/12

Title: Water Polo Goal Frame
Assembly Drawing

Drawing Number:
AI-WPG20.71

Material:
See Notes/Schedule

Tolerance: (Unless noted)	Scale:	Rev Ltr:	Sheet:
N/A	N/A	F	2 of 3

Water Polo Goal Frame Assembly Instructions:

General Notes: Your Water Polo Goal Frames have been shipped with some parts pre-assembled at our factory. Prior to beginning, please inspect all pieces and boxes to ensure that parts were not damaged in transit. If damage is detected, notify your distributor/freight carrier immediately as a freight claim **must** be filed within a certain timeframe from receipt of goods. Take a moment to review the front pages of this assembly drawing to familiarize yourself with the water polo goals frame components and to verify all parts have been received.

Assembly Instructions:

1. Position (about 10 feet apart) the left (Ref. 1L) and right side (Ref. 1R) assemblies horizontally on the deck, so that the facias are facing down. Install rubber bumpers (Ref. 10) on trimmed bend as shown.
2. Attach the upper (Ref. 4) and lower (Ref. 3) cross bars to the side supports (Ref. 1R, 1L). Use (4) clamp tee assemblies. Do not tighten nuts.
3. Position goal frame so the facias are now facing up. Attach the top fascia (Ref. 6) to the left and right angle brackets of the side assemblies (Ref. 1L & 1R). Using (4) 5/16 X 1" philips flat head bolts and (4) 5/16" elastic stop nuts and washers. Do not tighten nuts.
4. Attach the front fascia to the upper cross bar. Align the holes in the fascia to the holes of the cross bar and secure with (3) 5/16 X 2 1/2" philips flat head bolts and (3) 5/16" elastic stop nuts and washers.
5. Square the corners of the fascia and tighten all hardware mentioned in previous steps.
6. Attach the deck mounting legs (Ref. 2) with clamp tee's (Ref. 9) already provided. The collars (Ref. 8) should be on the outer sides of the legs to prevent up or down movement. **DO NOT TIGHTEN NUTS.**
7. To facilitate the installation of the netting raise the unit and carefully prop it to its upright position. Locate the top 4 corners of the net and tie them tightly to the top 4 corners of the frame by using short pieces of cord. Do the same for the bottom 4 corners.
8. **Attach the front opening of the nets** or back by threading the cord through both the net binding and the holes found on the outside edge of the fascia. (Away from goal opening). **For the rear and lower portion of the nets** loop the cord through both the rear of the net binding and round the frame and secure with knots. **(Nets/Backing are sold separately).**
HINT: Estimate the cord length required for each section; thread the cord half section of cord outward.
9. Fully extend the deck mounting legs (Ref. 2) of the side assemblies by pivoting them about their clamp tees (Ref. 9). Position the collars so that the deck mounting legs are at the same height and tighten the (2) screws/bolts on each of the (4) collars.
10. Set the frame in position by inserting the deck mounting legs into the pre-installed sockets (sockets sold separately). The rubber bumpers should be resting against the pool wall.
11. Adjust the height of the top fascia above the water level (as required by your facility, see sheet 1 for suggested height) by loosening the (2) collars and clamp tees of the deck mounting legs alternating sides until the desired height is achieved. After the frame is positioned, **re-tighten the hardware.**

CAUTION

All bolts should be checked regularly and tightened when necessary.

Supersedes Assembly Instructions dated 3/21/12



**PARAGON
AQUATICS**
Pentair Water
Commercial Pool & Aquatics

1351 Route 55
LaGrangeville, New York
12540
Phone: 845-463-7200
Fax: 845-463-7291
www.paragonaquatics.com

Dwn by:	Date:	Title:			Material:		
RV	11/19/12	Water Polo Goal Frame Assembly Drawing			See Notes/Schedule		
App by:	Date:	Drawing Number:	Tolerance: (Unless noted)	Scale:	Rev Ltr:	Sheet:	
SF	11/19/12	AI-WPG20.71	N/A	N/A	F	3 of 3	