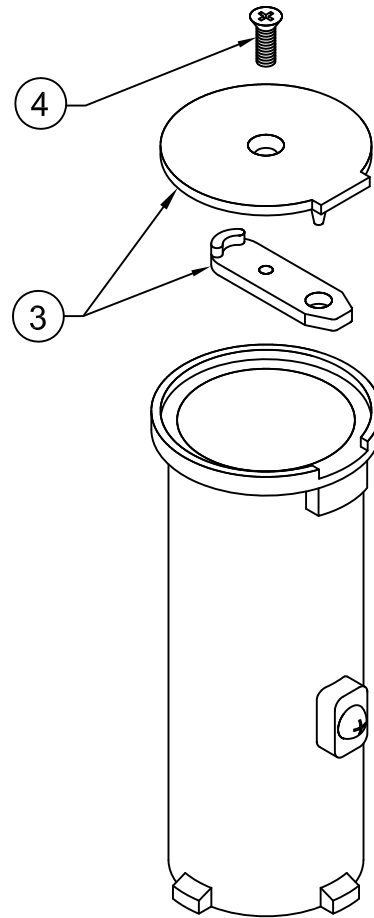
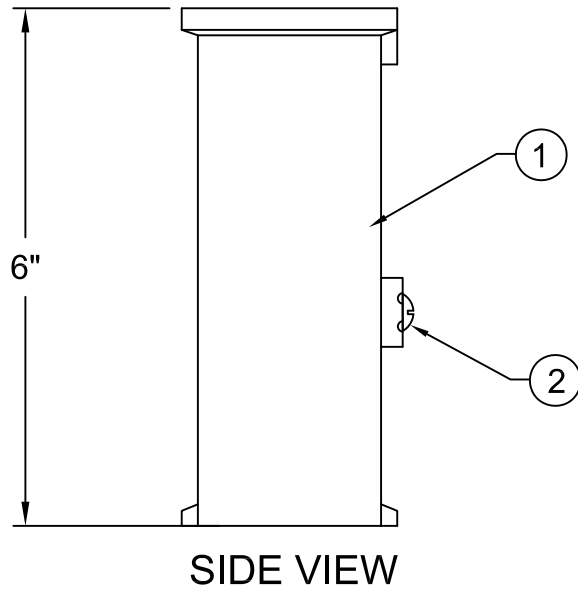
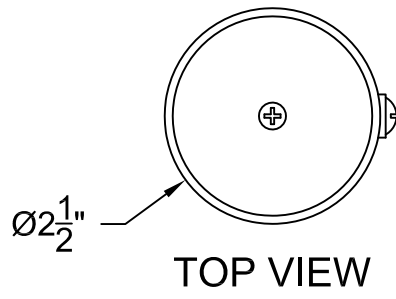


Stanchion Socket (Wedge Cap)



Part Number: 38201

Specifications

- ① The main body of the anchor shall be made of cast bronze and have a socket depth of 6" for use with 1.90" O.D. stanchions
- ② Bonding/grounding screw shall be provided where grounding and bonding of anchor is required.
- ③ The anchor shall be provided with a cap and wedge plate made of cast bronze.
- ④ A top screw shall anchor the wedge plate and cap together to provide a secure closure for the anchor.

General

All hardware shall be 18-8 stainless steel. Anchor system is to be fully embedded in concrete and installed per Paragon Aquatics installation instructions. Anchor system is intended for use with only Paragon Aquatics products.

The data represents the latest knowledge available to us at time of presentation. However, Paragon Aquatics and others involved in gathering and presenting this drawing assume no liability for its use.



**PARAGON
AQUATICS**
Pentair Water
Commercial Pool & Aquatics

1351 Route 55
LaGrangeville, New York
12540
Phone: 845-463-7200
Fax: 845-463-7291
www.paragonaquatics.com

Drawn by: RV Date: 6/27/08 Approved by: SF Date: 6/27/08

Sheet Title: Stanchion Socket (Wedge Cap)

Drawing Number: SS-AA20.85

Revision Letter: A

Sheet: 1 of 1