



# INSTALLATION AND OPERATION MANUAL

ENGLISH | FRANÇAIS | ESPAÑOL



## Jandy Pro Series WaterColor RGBW LED Lights Underwater Large and Small Light

### WARNING

**FOR YOUR SAFETY** - This product must be installed and serviced by a contractor who is licensed and qualified in pool equipment by the jurisdiction in which the product will be installed where such state or local requirements exist. The maintainer must be a professional with sufficient experience in pool equipment installation and maintenance so that all of the instructions in this manual can be followed exactly. Before installing this product, read and follow all warning notices and instructions that accompany this product. Failure to follow warning notices and instructions may result in property damage, personal injury, or death. Improper installation and/or operation will void the warranty.



Improper installation and/or operation can create unwanted electrical hazard which can cause serious injury, property damage, or death.

**ATTENTION INSTALLER** - This manual contains important information about the installation, operation and safe use of this product. This information should be given to the owner/operator of this equipment.

## Table of Contents

<b>Section 1. Safety Information .....</b>	<b>3</b>	<b>Section 6. Jandy WaterColors RGBW LED Light Operating Instructions .....</b>	<b>8</b>
<b>Section 2. Product Description and Model Numbers .....</b>	<b>4</b>	6.1 To Operate the Light and Change Colors.....	8
<b>Section 3. Installing Jandy Light Fixture during New Construction.....</b>	<b>5</b>	6.2 To Reset to the Beginning of the Color Sequence .....	10
3.1 Preparing the Light Fixture for Installation.....	5	<b>Section 7. Replacing Light Engine (PCB).....</b>	<b>10</b>
3.2 Installing the Light Fixture .....	6	7.1 Pool Clamp Removal.....	10
<b>Section 4. Replacing Jandy Light Fixture in an Existing Pool or Spa.....</b>	<b>6</b>	7.2 12V Small Light Driver (PCB) Replacement.....	10
4.1 Preparing the Light Fixture for Replacement.....	6	7.3 120V Small LED Board Replacement .....	11
4.2 Replacing the Light Fixture .....	7	7.4 120V Small Light Driver (PCB) Replacement....	11
<b>Section 5. Wiring Options for Controlling Jandy WaterColors RGBW LED Lights ....</b>	<b>8</b>	7.5 Large Light Driver (PCB) Replacement (120V and 12V) .....	11
5.1 Wiring to an AquaLink® RS Control System .....	8	7.6 Reassemble the Fixture .....	11
5.2 Wiring to a Time Clock .....	8	7.7 Reinstall the Jandy Pro Series Light into Niche Fixture .....	13
5.3 Wiring to a Switch.....	8	<b>Section 8. Twelve (12) Volt Installation .....</b>	<b>13</b>
		<b>Section 9. Exploded View and Replacement Parts.....</b>	<b>14</b>
		9.1 Jandy Large WaterColors RGBW LED Light....	14
		9.2 Jandy Small WaterColors RGBW LED Light....	15

## Section 1. Safety Information

### IMPORTANT SAFETY INSTRUCTIONS PERTAINING TO A RISK OF FIRE, ELECTRIC SHOCK, OR INJURY TO PERSONS

#### READ AND FOLLOW ALL INSTRUCTIONS

When installing and using this electrical equipment, basic safety precautions should always be followed, including the following:

#### WARNING

**RISK OF ELECTRICAL SHOCK OR ELECTROCUTION.** This underwater light must be installed by a licensed or certified electrician in accordance with the National Electrical Code and applicable local codes and ordinances. Improper installation will create an electrical hazard, which could result in death or serious injury to pool or spa users, installers, or others due to electrical shock, and may also cause damage to property. Read and follow the specific instructions below.

#### WARNING

Before installing this underwater light, read and follow all warning notices and instructions accompanying this light. Failure to follow safety warnings and instructions can result in severe injury, death, or property damage. Call (707) 776-8200 for additional free copies of these instructions.

#### CAUTION

Except when the Jandy Pro Series WaterColors RGBW LED Lights are installed in an area of the swimming pool that is not used for swimming and the lens is adequately guarded to keep any person from contacting it, the light shall be installed in or on a wall of the pool, with the top of the lens opening not less than 18 inches (457 mm) below the normal water level of the pool



#### ATTENTION INSTALLER

This manual contains important information about the installation, operation and safe use of this product. This information should be given to the owner/operator of this equipment.

#### NOTICE

The Jandy Pro Series WaterColors RGBW LED Lights are intended for installation in fresh water and salt water swimming pools. It is important to ensure that the wet niches in which the lights are installed are intended for their appropriate application, either fresh water or salt water pools.

**SAVE THESE INSTRUCTIONS**

## Section 2. Product Description and Model Numbers

Model #	WaterColors Light Size	Voltage	Amps	Cord Length	Face Ring Material
CPLVRGBWS30	Large	12 Volt AC	4.0	30 feet	Stainless Steel
CPLVRGBWS50	Large	12 Volt AC	4.0	50 feet	Stainless Steel
CPLVRGBWS100	Large	12 Volt AC	4.0	100 feet	Stainless Steel
CPLVRGBWP100	Large	12 Volt AC	4.0	100 feet	Plastic
CPLVRGBWS50C	Large	12 Volt AC	4.0	50 feet	Stainless Steel
CPLVRGBWS100C	Large	12 Volt AC	4.0	100 feet	Stainless Steel
CPLVRGBWP100C	Large	12 Volt AC	4.0	100 feet	Plastic
CPHVRGBWS30	Large	120 Volt AC	0.4	30 feet	Stainless Steel
CPHVRGBWS50	Large	120 Volt AC	0.4	50 feet	Stainless Steel
CPHVRGBWS100	Large	120 Volt AC	0.4	100 feet	Stainless Steel
CPHVRGBWP100	Large	120 Volt AC	0.4	100 feet	Plastic
CPHVRGBWS150	Large	120 Volt AC	0.4	150 feet	Stainless Steel
CPHVRGBWS250	Large	120 Volt AC	0.4	250 feet	Stainless Steel
CPHVRGBWS50C	Large	120 Volt AC	0.4	50 feet	Stainless Steel
CPHVRGBWS100C	Large	120 Volt AC	0.4	100 feet	Stainless Steel
CPHVRGBWP100C	Large	120 Volt AC	0.4	100 feet	Plastic
CSLVRGBWS30	Small	12 Volt AC	2.0	30 feet	Stainless Steel
CSLVRGBWS50	Small	12 Volt AC	2.0	50 feet	Stainless Steel
CSLVRGBWS100	Small	12 Volt AC	2.0	100 feet	Stainless Steel
CSLVRGBWP100	Small	12 Volt AC	2.0	100 feet	Plastic
CSLVRGBWS50C	Small	12 Volt AC	2.0	50 feet	Stainless Steel
CSLVRGBWS100C	Small	12 Volt AC	2.0	100 feet	Stainless Steel
CSLVRGBWP100C	Small	12 Volt AC	2.0	100 feet	Plastic
CSHVRGBWS30	Small	120 Volt AC	0.2	30 feet	Stainless Steel
CSHVRGBWS50	Small	120 Volt AC	0.2	50 feet	Stainless Steel
CSHVRGBWS100	Small	120 Volt AC	0.2	100 feet	Stainless Steel
CSHVRGBWP100	Small	120 Volt AC	0.2	100 feet	Plastic
CSHVRGBWS150	Small	120 Volt AC	0.2	150 feet	Stainless Steel
CSHVRGBWS250	Small	120 Volt AC	0.2	250 feet	Stainless Steel
CSHVRGBWS50C	Small	120 Volt AC	0.2	50 feet	Stainless Steel
CSHVRGBWS100C	Small	120 Volt AC	0.2	100 feet	Stainless Steel
CSHVRGBWP100C	Small	120 Volt AC	0.2	100 feet	Plastic

## Section 3. Installing Jandy Pro Series Light Fixture during New Construction

### **⚠ WARNING**

#### **Risk of Electrical Shock or Electrocution.**

This underwater light must be installed by a licensed or certified electrician or a qualified pool serviceman in accordance with the National Electrical Code and all applicable local codes and ordinances. Improper installation will create an electrical hazard, which could result in death or serious injury to pool or spa users, installers or others due to electrical shock, and may also cause damage to property.

Always disconnect the power to the color light at the circuit breaker before installing or servicing the light. Failure to do so could result in death or serious injury to serviceman, pool or spa users or others due to electrical shock.

### 3.1 Preparing the Light Fixture for Installation

**NOTE** The electrician must complete preparatory steps before light fixture is installed. See Figure 1.

Ensure that the pool meets the requirements of the current National Electrical Code® and all local codes and ordinances. A licensed or certified electrician must install the electrical system to meet or exceed those requirements before the underwater light is installed. Some of the requirements of the National Electrical Code, which the pool electrical systems must meet, are as follows:

### **⚠ WARNING**

To minimize risk of Electrical shock or electrocution, which could result in injury or death, for supply connection of low-voltage lights use only an isolating low voltage power supply, evaluated and listed by a Nationally Recognized Testing Laboratory (NRTL) for swimming pool use.

1. The lighting circuit must have a Ground Fault Circuit Interrupter (GFCI) for 120 volt models, and must have an appropriately rated circuit breaker.
2. The junction box (or, for 12 volt models, the low voltage transformer) must be located at least eight (8) inches above water level, at least four (4) inches above ground level, and at least four (4) feet from the edge of the pool. See Figure 1.
3. The light fixture and all metal items within five

(5) feet of the pool must be properly electrically bonded to a reliable point of grounding.

4. The wet niche must be properly installed so that the top edge of the underwater light's lens is at least 18 inches below the surface of the water in the pool. See Figure 1.
5. The wet niche must be properly electrically bonded and grounded via the No. 8 AWG ground connector located at the rear of the niche. See Figure 1.

**NOTE** To be certain that the pool's electrical system meets all applicable requirements, the electrician should also consult the local building department.

Use only approved wet niches (see following note) to ensure a safe and proper installation.

**NOTE** Jandy Pro Series lights are ETL listed (ETL report/file 3141154CHI) for installation with *only* the following manufacturer's wet niche fixtures:

#### **Large Niche Model Numbers:**

Jandy Pro Series: PLNICLRG, PLNICVFLRG, WT000002, SSNICLRG1R, SSNICLRG1S

Pentair: 620004, 78210200 thru 700, 78210401, 79206700

Hayward DuraNiche: SP0600U

Sta-Rite: 05161-2352 thru 2369, 05163-2395 thru 2396

#### **Small Niche Model Numbers:**

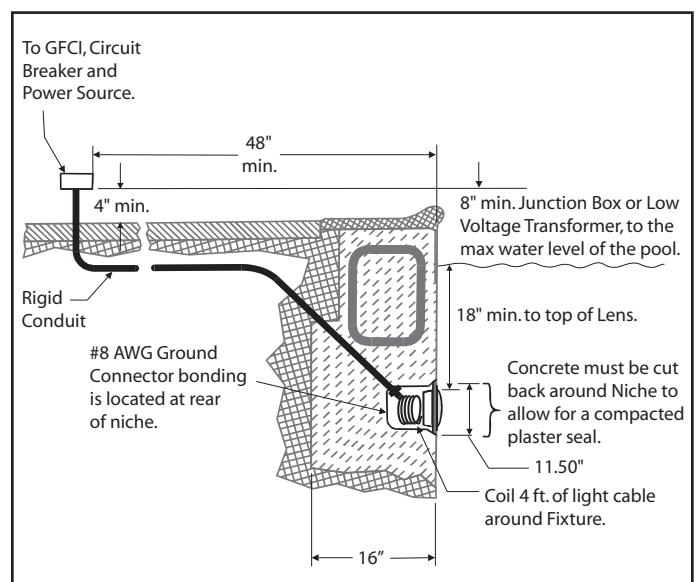
Jandy Pro Series: PLNICSM, SSNICSM, Pentair: 78241100, 78242200, 78242300, 78243100 thru 300, 78244100 thru 300, 79206600

Hayward DuraNiche: SP0601U

Sta-Rite: 05166-1017 thru 1034, 05167-1035 thru 1037

Pentair® and Sta-Rite® are registered trademarks of Pentair, Inc.

Hayward® is a registered trademark and DuraNiche™ is a trademark of Hayward Pool Products, Inc.



## Figure 1. Jandy Pro Series Digital Color Light Installation

### 3.2 Installing the Light Fixture

**NOTE** Perform these steps *only* after the electrical system requirements are met.

1. Feed cord through conduit to junction box, leaving at least four (4) feet of cord at the light fixture to coil into the base of the light niche, see Figure 1. The four (4) feet of cord allows the light to be serviced after the pool is filled with water.
2. Cut the cord at the junction box, leaving at least six (6) inches of cord to make connections.
3. Strip six (6) inches of the outer cord jacket to expose the three insulated wires. *Be careful not to damage the insulation on the three (3) inner wires.*
4. Install strain relief over cord jacket and connect all three (3) wires to the corresponding circuit wires in the junction box. Install the junction box cover.
5. Coil the 4-foot length of cord around the fixture or into the base of the pool niche, and place the light assembly into the niche.
6. Engage the retainer tab on the bottom of the face ring, then pivot the top of the fixture inward and tighten the special pilot screw.

### WARNING

Use only the special pilot screw provided with this underwater light. This screw mounts and electrically grounds the housing securely to the mounting ring and wet niche. Failure to use the screw provided could create an electrical hazard, which could result in death or serious injury to pool or spa users, installers or others due to electrical shock.

7. Fill the pool until the underwater light is completely submerged in water before operating the light for more than 2 minutes. The light will heat up quickly when operated outside of water. Turn on main switch or circuit breaker, and the switch, which operates the underwater light, to check for proper operation. Refer to *Section 6, Operating Instructions*.

### WARNING

Never operate this underwater light for more than 10 seconds unless it is totally submerged in water. Without total submersion, the light assembly will get extremely hot, which may result in serious burns or in breakage of the bulb or lens. This may result in serious injury to pool or spa users, installers, or bystanders or damage to property.

## Section 4. Replacing Jandy Pro Series Light Fixture in an Existing Pool or Spa

### WARNING

#### **Risk of Electrical Shock or Electrocutation.**

This underwater light must be installed by a licensed or certified electrician or a qualified pool serviceman in accordance with the National Electrical Code and all applicable local codes and ordinances. Improper installation will create an electrical hazard, which could result in death or serious injury to pool or spa users, installers or others due to electrical shock, and may also cause damage to property.

Always disconnect the power to the color light at the circuit breaker before installing or servicing the light. Failure to do so could result in death or serious injury to serviceman, pool or spa users or others due to electrical shock.

### 4.1 Preparing the Light Fixture for Replacement

Verify that the pool meets the requirements of the current National Electrical Code® (NEC) and all local codes and ordinances. A licensed or certified electrician must install the electrical system to meet or exceed those requirements before the underwater light is installed. Some of the requirements of the National Electrical Code, which the pool's electrical system must meet, are as follows:

1. The lighting circuit must have a Ground Fault Circuit Interrupter (GFCI) for 120 volt models, and must have an appropriately rated circuit breaker.
2. The junction box (or, for 12 volt models, the low voltage transformer) must be located at least eight (8) inches above water level, at least four (4)



inches above ground level or pool deck level, and at least 48 inches from the edge of the pool or spa. See Figure 1.

3. The light fixture and all metal items within five (5) feet of the pool must be properly electrically bonded to a reliable point of grounding.
4. The wet niche must be properly installed so that the top edge of the underwater light's lens is at least 18 inches below the surface of the water in the pool. See Figure 1.
5. The wet niche must be properly electrically bonded and grounded via the No. 8 AWG ground connector located at the rear of the niche. See Figure 1.

To be certain that the pool's electrical system meets all applicable requirements, the electrician should also consult the local building department.

## 4.2 Replacing the Light Fixture

**NOTE** Perform these steps *only* after the electrical system requirements are met.

### WARNING

Failure to bring the pool's electrical system up to code requirements before installing the underwater light will create an electrical hazard which could result in death or serious injury to pool or spa users, installers, or others due to electrical shock, and may also cause damage to property.

**NOTE** The light fixture may be replaced without removing water from the pool.

1. Turn off the **main** electrical switch or circuit breaker, as well as the switch, which operates the underwater light.
2. Unscrew the special pilot screw at top of the face ring and remove the light assembly from the niche, and place the assembly on the deck.

### WARNING

Be sure to keep the special pilot screw provided with this underwater light. This screw mounts and electrically grounds the housing securely to the mounting ring and wet niche. Failure to use the screw provided could create an electrical hazard, which could result in death or serious injury to pool or spa users, installers or others due to electrical shock.

3. Remove Junction Box cover, disconnect the light

fixture wires and strain relief, and then pull the cord out of the conduit from the niche.

4. Feed the new light fixture cord through the conduit from the niche to the Junction Box.

**NOTE** Depending on the length of the conduit, special tools may be required to pull the cord through the conduit.

5. Leave at least four (4) feet of cord to coil around the light fixture or coiled into the base of the light niche, see Figure 1. This allows the light to be serviced after the pool is filled with water.
6. Cut the cord at the Junction Box, leaving at least six (6) inches of cord to make connections.
7. Strip six (6) inches of the outer cord jacket from the cord to expose the three insulated wires. *Be careful not to damage the insulation on the three (3) inner wires.*
8. Install the strain relief over the cord jacket and connect all three wires to the corresponding circuit wires in the junction box. Install the junction box cover.
9. Reinstall the light assembly into the niche and tighten the special pilot screw.

### WARNING

Use only the special pilot screw provided with this underwater light. This screw mounts and electrically grounds the housing securely to the mounting ring and wet niche. Failure to use the screw provided could create an electrical hazard, which could result in death or serious injury to pool or spa users, installers or others due to electrical shock.

10. Fill the pool until the underwater light is completely submerged in water before operating the light for more than 10 seconds. Turn on main switch or circuit breaker, as well as the switch, which operates the underwater light, to check for proper operation. Refer to *Section 6, Operating Instructions*.

### WARNING

Never operate this underwater light for more than 10 seconds unless it is totally submerged in water. Without total submersion, the light assembly will get extremely hot, which may result in serious burns or in breakage of the bulb or lens. This may result in serious injury to pool or spa users, installers, or bystanders or in damage to property.

## Section 5. Wiring Options for Controlling Jandy Pro Series WaterColors LED Lights

**NOTE** The Jandy Pro Series WaterColors RGBW LED Lights will not operate properly with light dimmers. *Do not wire the Jandy Pro Series Lights to any dimming circuitry.*

To the extent allowed by code and capacity of the electrical equipment, multiple Jandy Pro Series lights may be controlled with a single switch so their colors will *always* be synchronized.

Separate switches may be used to control the on/off and color functions of each Jandy Pro Series light. It is recommended that these switches be located next to each other to facilitate simple color synchronization when desired. All switches *must be operated at the same time to assure color synchronization*. Otherwise, the lights will work independently of each other.

### 5.1 Wiring to an AquaLink® RS Control System

The Jandy Pro Series WaterColors RGBW LED Lights can be wired into the Jandy Pro Series AquaLink® RS control system to provide simplified operation of the lights, as well as a means to synchronize the color change function. Connect the lights to one of the auxiliary relays in the Power Center.

**NOTE** It is recommended to connect one light per relay so each light can be controlled separately. However, up to four lights can be connected on a single relay. If there are more than four lights installed on one AquaLink RS system, ensure there is more than one auxiliary relay available in the Power Center.

Refer to Figures 2 and 3 to connect the Jandy Pro Series Color Lights to the Power Center.

### WARNING

**RISK OF ELECTRICAL SHOCK OR ELECTROCUTION**, which could result in serious injury or death. A Ground Fault Circuit Interrupter (GFCI) must be provided for 120 volt models. A Ground Fault Circuit Interrupter (GFCI) for 120 Volt transformers should be used if required by the transformer manufacturer or if required by the local applicable code and/or Authority Having Jurisdiction (AHJ). When a GFCI is used, the conductors on the load side of the GFCI circuit shall not occupy conduit, boxes, or enclosures containing other conductors unless the additional conductors are also protected by a GFCI. Refer to local codes for complete details.

**NOTE** The Jandy Pro Series WaterColors Lights are available in 120-volt and 12-volt versions. If installing a 12-volt light, a NRTL certified 120-volt/12-volt step-down (AC) transformer *must* be used. For more information about 12-volt installations, refer to *Section 8* of this manual.

### 5.2 Wiring to a Time Clock

The Jandy Pro Series WaterColors RGBW LED Lights can be wired into a basic time clock to automatically turn on the lights at a predesignated time. Refer to Figure 4 to connect the lights into the time clock.

### 5.3 Wiring to a Switch

The Jandy Pro Series WaterColors RGBW LED Lights can be wired into a switch to manually turn on/off the lights. Refer to Figure 5 to connect the lights into the switch.

## Section 6. Jandy Pro Series WaterColors RGBW LED Light Operating Instructions

### 6.1 To Operate the Light and Change Colors

Turn the light **ON**. The *first* time the light is turned on, the color sequence begins with the Alpine White. To change the color, turn the light **OFF** and then **ON** within three (3) seconds. Continue turning **OFF** and **ON** until the desired light color mode is reached. See Table 1 for the color mode sequence.

**Table 1. Jandy Pro Series WaterColors Lights Sequence**

Sequence Order	Color Modes
1	Alpine White
2	Sky Blue
3	Cobalt Blue
4	Caribbean Blue
5	Spring Green
6	Emerald Green
7	Emerald Rose
8	Magenta
9	Violet
10	Slow Color Splash
11	Fast Color Splash
12	America the Beautiful
13	Fat Tuesday
14	Disco Tech

**NOTE** When the light is turned **OFF** for more than seven (7) seconds, it will remain in the color set that is currently active. When the light is turned back **ON**, the light will be on the same color set.



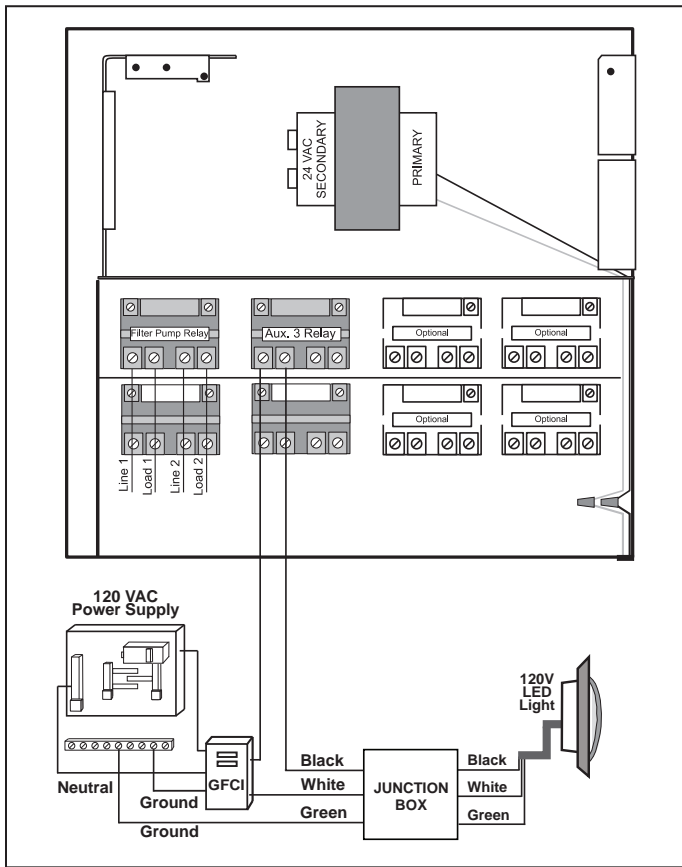


Figure 2. 120-Volt Jandy Pro Series WaterColors RGBW LED Light Wiring Diagram

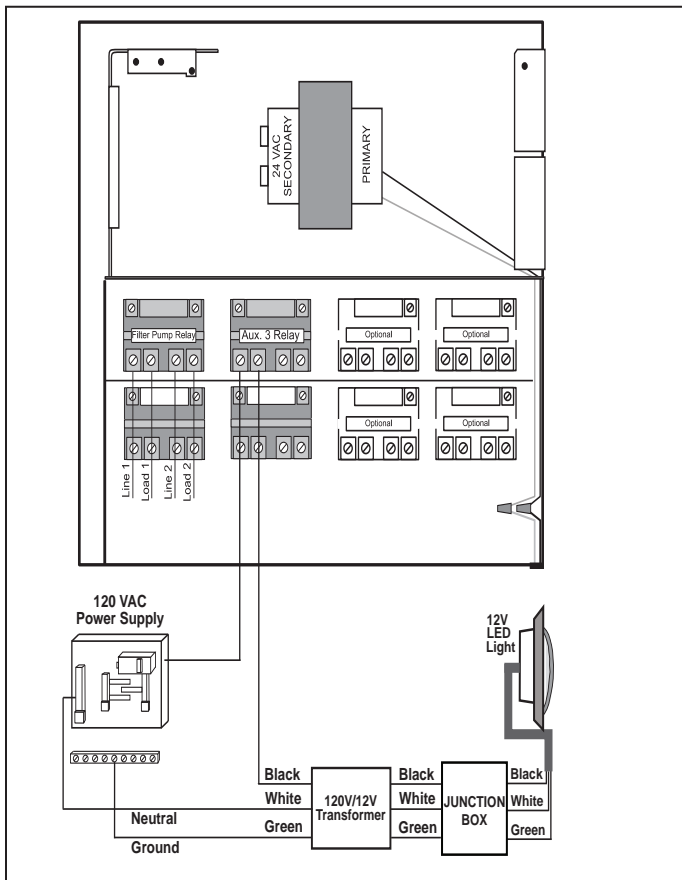


Figure 3. 12-Volt Jandy Pro Series WaterColors RGBW LED Light Wiring Diagram

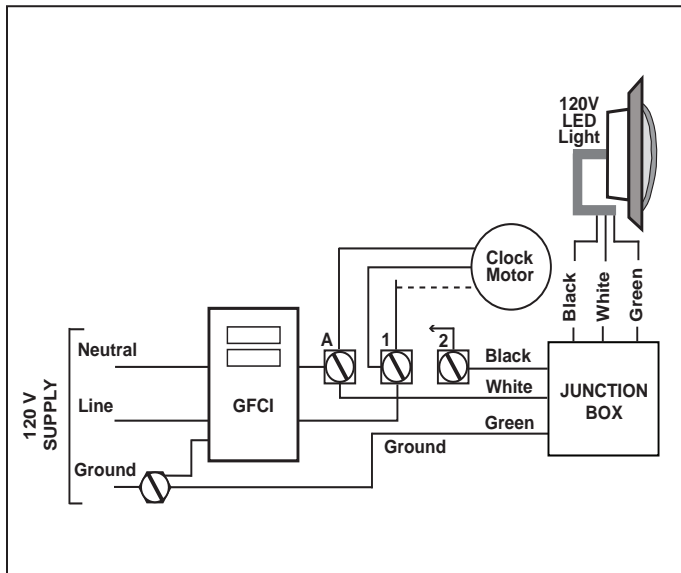


Figure 4. Wiring the Jandy Pro Series WaterColors RGBW LED Light to a Time Clock

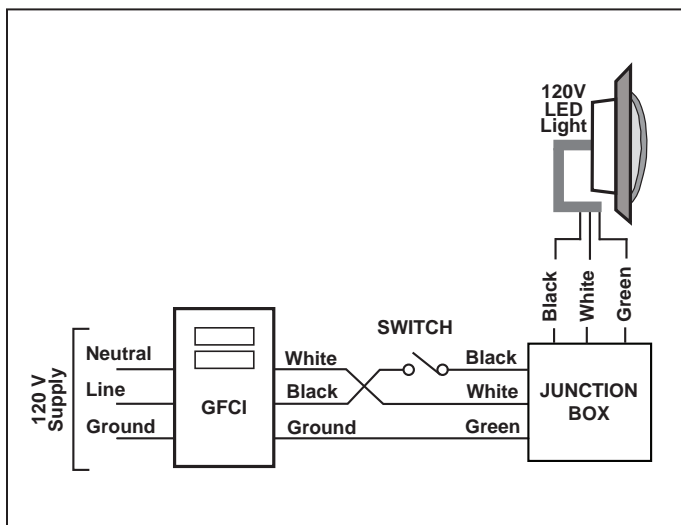


Figure 5. Wiring the Jandy Pro Series WaterColors RGBW LED Light to a Switch

## 6.2 To Reset to the Beginning of the Color Sequence

Turn the light OFF, wait four (4) to five (5) seconds, then turn ON, the light will return to the beginning of the color cycle (Alpine White).

**NOTE** If an AquaLink® RS control system is being used the color set can be selected using the indoor controller.

**NOTE** To synchronize colors on multiple Jandy Pro Series WaterColors RGBW LED Light systems wired to separate switches, perform the above actions on all of their switches simultaneously. All Jandy Pro Series WaterColors RGBW LED Lights will synchronize automatically if activated by the same switch. No other accessories are required.

## Section 7. Replacing LED Board and Driver (PCB)

### WARNING

Always disconnect power to the color light at the circuit breaker before servicing the light. Failure to do so could result in death or serious injury to installer, serviceman, pool or spa users or others due to electrical shock.

1. Turn off the main electrical switch or circuit breaker, as well as the switch, which operates the underwater light.
2. Be sure to have the following items:
  - A new lens gasket.
  - A light driver board. See Table 2 for specification.

### WARNING

Replace light driver with the same type. Failure to replace the light driver with the same type will damage the light assembly and may cause an electrical hazard resulting in death or serious injury to pool or spa users, installers, or others due to electrical shock, and may also cause damage to property. Be sure the power is switched OFF before removing or installing PCB. Allow PCB to cool before replacing.

3. To remove the light assembly, unscrew the special pilot screw at the top of the face ring, remove light assembly from niche and gently place assembly on the deck. It is not necessary to drain down the pool. See Figure 6.

**Table 2. Light Specifications**

Jandy Pro Series Model	Fixture Voltage	Light Driver (PCB) Part Number
WaterColors RGBW LED Large Light	12 Volt AC	R0739500
WaterColors RGBW LED Large Light	120 Volt AC	R0739400
WaterColors RGBW LED Small Light	12 Volt AC	R0785700
WaterColors RGBW LED Small Light	120 Volt AC	R0739600

### WARNING

Be sure to keep the special pilot screw from this underwater light. This screw mounts and electrically grounds the housing securely to the mounting ring and wet niche. Failure to use the screw provided could create an electrical hazard, which could result in death or serious injury to pool or spa users, installers or others due to electrical shock.

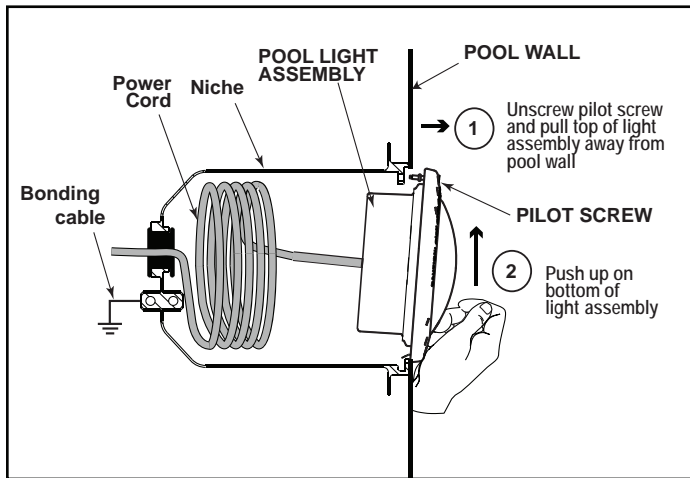
## 7.1 Pool Clamp Removal.

1. Loosen the Phillips head screws (six (6) for small light, eight (8) for large light) to allow the bottom clamp to be removed from the face ring assembly. Do not remove the screws or the retaining rings. The retaining rings prevent the screws from falling free from the bottom clamp and also aid in ease of assembly.
2. Remove the bottom clamp, the face ring assembly, the glass lens, and the gasket from the fixture. Remove the silicone gasket from the lens. Refer to *Section 9, Exploded View and Replacement Parts*.

**NOTE** Always install a new lens silicone gasket whenever disassembling the light.

## 7.2 12V Small Light Driver (PCB) Replacement

1. Remove both quick disconnect wires from the PCB. Note that the black wire is connected to ACN (TP-2) and the White wire is connected to ACL (TP-1).
2. Remove two (2) nuts and two (2) washers.
3. Remove the light driver from the light fixture.
4. Apply thermal grease to the back of the new light driver board.
5. Place new light driver into the fixture with the orientation shown in Figure 7.
6. Secure the light driver with one (1) washer and one (1) nut on the right side of the light driver. Torque to 12 in-lbs.



**Figure 6. Removing the Jandy Pro Series WaterColors RGBW LED Light Assembly for Light Driver Replacement**

7. Place a washer on the other stud and place the green ground wire terminal on the washer and secure both with the nut. Torque to 12 in-lbs.
8. Plug in the quick disconnect wire (white) onto the terminal ACL (TP-1) of the light engine.
9. Plug in the quick disconnect wire (black) onto terminal ACN (TP-2) of the light engine.

### 7.3 120V Small LED Board Replacement

1. Disconnect power and wait 5 minutes.
2. Remove two (2) screws and six (6) washers.
3. Unplug the board connector from the light engine.
4. Remove the LED board from the heat sink. If you are also replacing the driver board, you can proceed now to step 7.4
5. Apply thermal grease to the back of the new LED board.
6. Place new LED board into the heat sink with the orientation shown in Figure 7.
7. Secure the LED board with two (2) screws and two (2) washers.
8. Plug in the board connector.

### 7.4 120V Small Light Driver (PCB) Replacement

1. Disconnect power and wait 5 minutes.
2. Remove LED board as instructed in step 7.3
3. Remove 2 screws from the heat sink and remove the heat sink.
4. Remove both quick disconnect wires from the PCB. Note that the black wire is connected to ACN and the White wire is connected to ACL.
5. Remove 2 metal posts from the driver board

6. Remove driver board and place new light driver board into the fixture with the orientation shown in Figure 7.
7. Insert metal posts back on to the screw studs.
8. Plug in both quick disconnect wires, white onto the terminal ACL of the light driver and black onto the ACN.
9. Align heat sink to the metal posts
10. Secure the heat sink with 2 screws
11. Apply thermal grease to the back of the new LED board.
12. Place new LED board into the heat sink with the orientation shown in Figure 7.
13. Secure the LED board with two (2) screws and six (6) washers.
14. Plug in the board connector.

### 7.5 Large Light Driver (PCB) Replacement (120V and 12V)

1. Disconnect power and wait 5 minutes.
2. Unplug the quick disconnect terminals and the grounding wire (green) from the light driver.
3. Remove three (3) nuts and washers.
4. Remove the LED board, light driver board and board connector from the light fixture.
5. Apply thermal grease to the back of the new LED board.
6. Place new LED board and light driver board into the fixture with the orientation shown in Figure 8.
7. Secure the new boards with 3 washers, split washers and nuts. Torque to 12 in-lbs.
8. Plug in the white quick disconnect wire onto the terminal AC1 (TP-L) of the light driver board.
9. Plug in black quick disconnect wire onto terminal AC2 (TP-N) of the light driver. Ensure board connectors are connected to both boards.
10. To secure the ground wire, place the flat washer, followed by the ground wire, followed by the split washer, securing in place with the nut. Torque to 12 in-lbs.

### 7.6 Reassemble the Fixture.

1. If not already done, remove the gasket from the glass lens and install a new gasket on the lens. On the small light, remove the diverger from the lens.

**NOTE** A new lens gasket must be used each time the light is reassembled.

**⚠ WARNING**

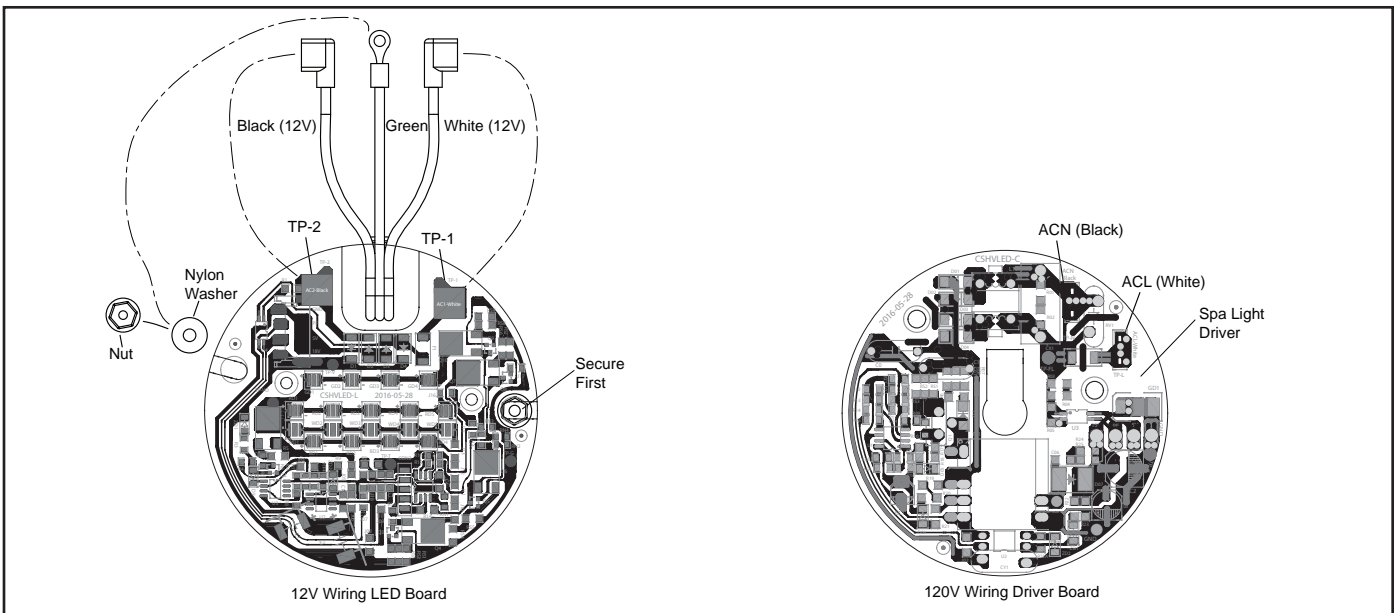
**Risk of Electrical Shock or Electrocution.** Always install a new lens gasket whenever disassembling the light. Failure to do so may permit water to leak into the assembly, which could cause:

- (a) An electrical hazard resulting in death or serious injury to pool or spa users, installers, or others due to electrical shock, or
- (b) A malfunction of the Jandy WaterColors RGBW LED Light, which likewise could result in serious injury to pool or spa users, installers, or bystanders, or in damage to property.

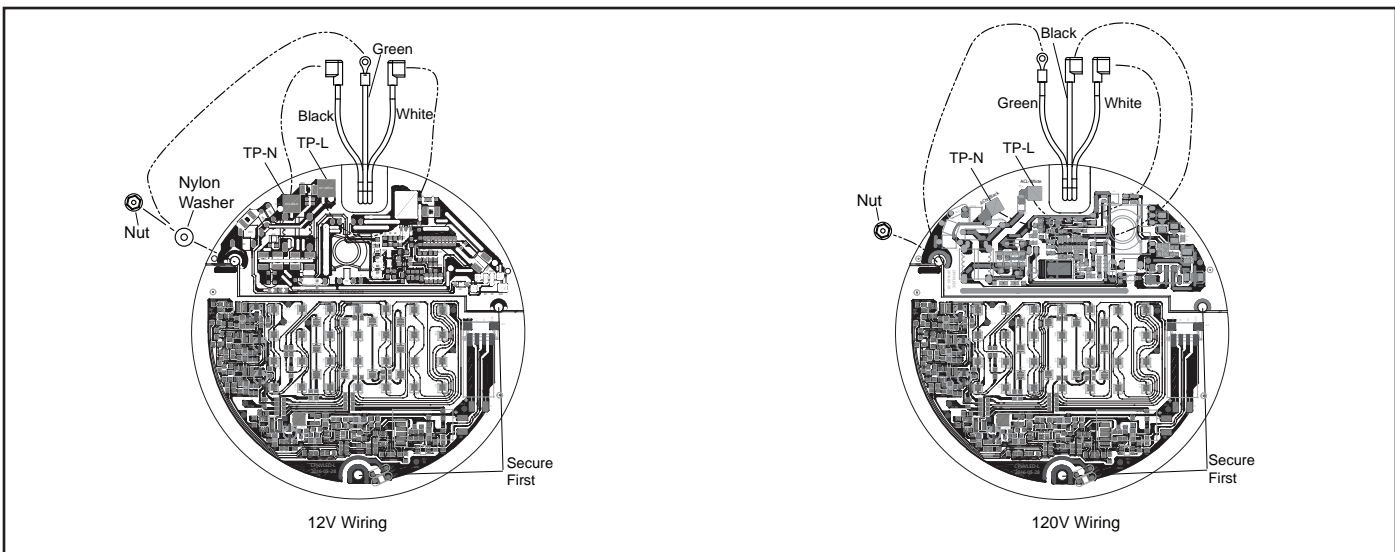
2. While holding the fixture upright, place the glass lens with the gasket on top of the fixture. Please note that the lens gasket is not symmetrical. Therefore, it must be installed correctly so that the lens can seal to the fixture housing. Place the gasket on the lens with the orientation shown in Figure 10. On the small light, replace the diverger by tucking the tabs between the lens and gasket.

**NOTE** Be sure to face the dull side of the diverger down towards the PCB.

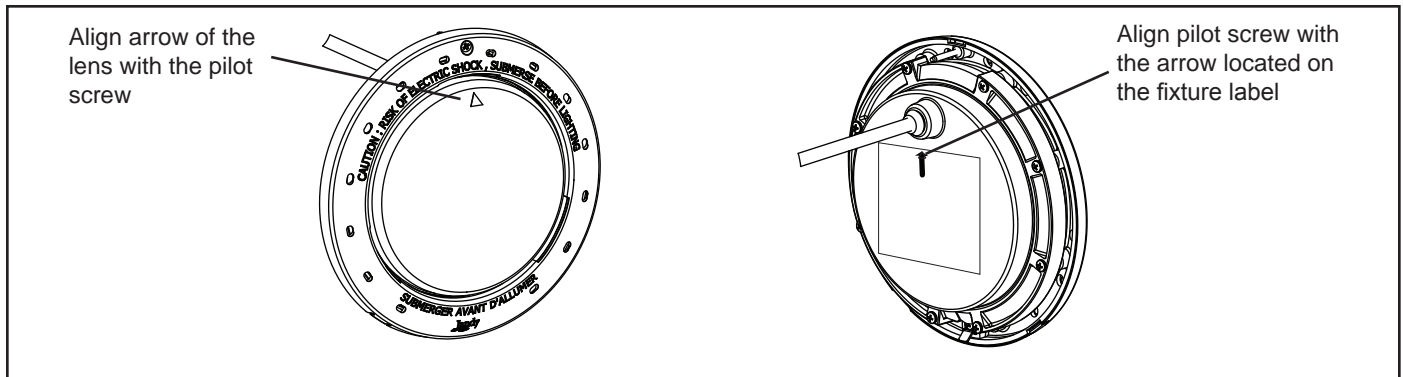
3. Position the lens and gasket on the fixture. Place the face ring assembly over the lens and align the pilot screw with the small arrow mark on the face of the lens. Note that the small arrow mark on the face of the lens and the pilot screw of the face ring must be aligned with the arrow located on



**Figure 7. Small Light Engine (PCB) Replacement and Wiring**



**Figure 8. Large Light Engine (PCB) Replacement and Wiring**



**Figure 9. Alignment of the Lens, Face Ring, Housing and Clamps for WaterColors Lights**

fixture label that reads, “Arrow on this label must line up with the pilot screw on the Face Ring”. See Figure 9.

4. While holding the aligned face ring assembly and fixture together, turn the assembly upside down and set it on the old gasket, using the old gasket as an assembly fixture. This will keep the lens and gasket assembly from being pushed out of the face ring while you secure it to the light fixture.
5. Spread the bottom clamp over the electrical cord and slide it onto the back of fixture to the top clamp.
6. Tighten the Phillips head screws (eight (8) for large light and six (6) for small light) on the light in alternating cross-pattern. Torque screws to approximately 25 in-lbs.
7. Discard the old gasket.

### 7.7 Reinstall the Jandy Pro Series Light Into Niche Fixture.

1. Coil the extra four (4) feet of cord around the fixture or into the base of the niche and place the light assembly into the niche.
2. Engage the retainer tab on the bottom of the face ring, then pivot the top of the fixture inward and tighten the special pilot screw.

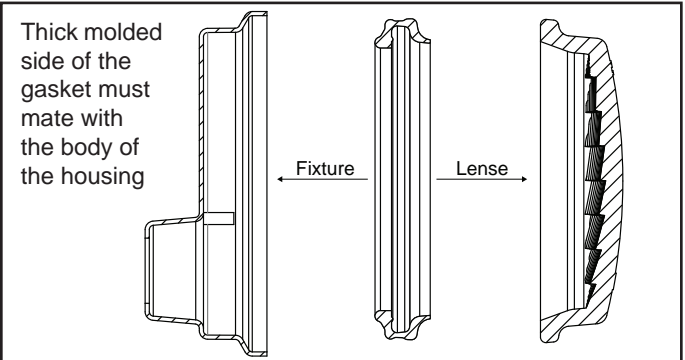
### **⚠ WARNING**

Use only the special pilot screw provided with this underwater light. This screw mounts and electrically grounds the housing securely to the mounting ring and wet niche. Failure to use the screw provided could create an electrical hazard, which could result in death or serious injury to pool or spa users, installers or others due to electrical shock.

3. If pool is empty, Fill the pool until the underwater light is completely submerged in water before operating the light for more than 2 minutes. The light will heat up quickly when operated outside of water. Turn on main switch or circuit breaker, and the switch, which operates the underwater light, to check for proper operation.

### **⚠ WARNING**

Never operate this underwater light for more than 10 seconds unless it is totally submerged in water. Without total submersion, the light assembly will get extremely hot, which may result in serious burns or in damage to the light. This may result in serious injury to pool or spa users, installers, or bystanders or in damage to property.



**Figure 10. Cross Section of Jandy Pro Series WaterColors LED Light**

## Section 8. Twelve (12) Volt Installation

A separate 12-Volt AC Transformer is required on all 12-Volt Models. For Jandy Pro Series WaterColors RGBW LED Light use a 150-watt multi-tap 12-volt system per light.

### **⚠ WARNING**

To minimize risk of Electrical shock or electrocution, which could result in injury or death, for supply connection of low-voltage lights use only an isolating low voltage power supply, evaluated and listed by a Nationally Recognized Testing Laboratory (NRTL) for swimming pool use.

**NOTE** For optimum performance Jandy Pro Series recommends to use one transformer per 12-volt light.

To ensure maximum safety, it is strongly recommended that a transformer that has been listed or recognized by a Nationally Recognized Testing Laboratory (NRTL) for the application be used.



## Section 9. Exploded View and Replacement Parts

### 9.1 Jandy Pro Series Large WaterColors RGBW LED Light

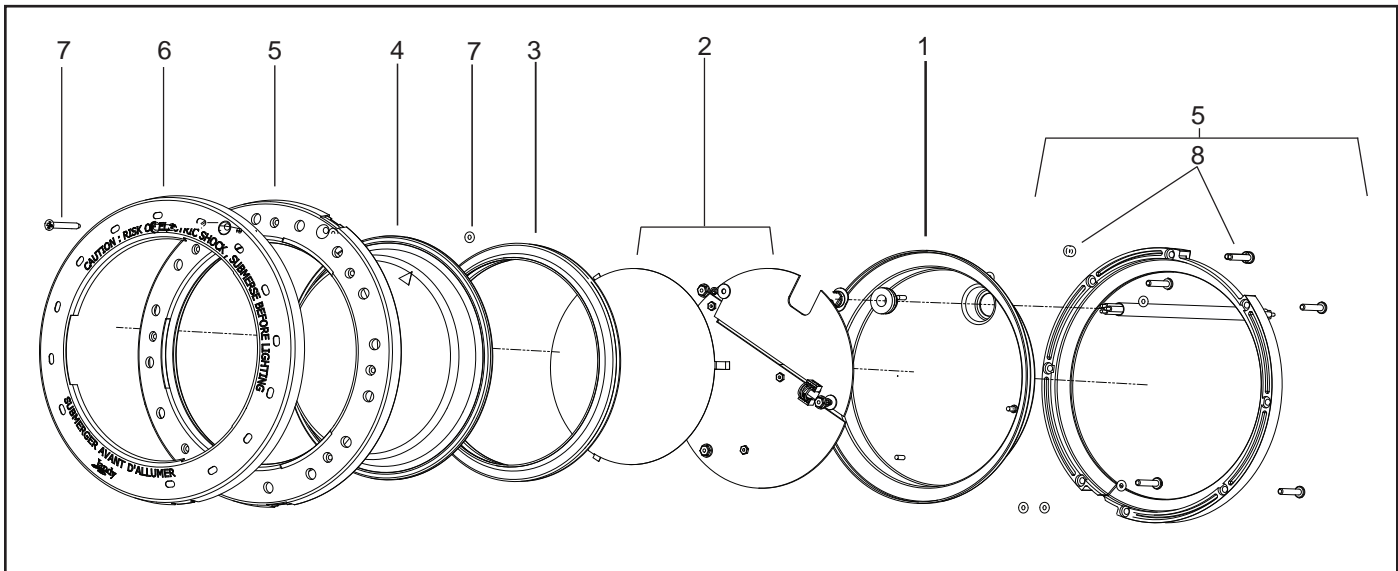


Figure 11. Jandy Pro Series Large WaterColors RGBW LED Light Exploded View

DWG #	Part #	Description	Field Replaceable
1	N/A	WaterColors RGBW LED Light Housing	<i>NO - Purchase New Light</i>
2	R0739500	Light Engine PCB, 12V Large LED Light w/ Light Shaping Diverger	<b>YES</b>
2	R0739400	Light Engine PCB, 120V Large LED Light W/ Light Shaping Diverger	<b>YES</b>
3	R0790500	Silicone Gasket	<b>YES</b>
4	R0790600	Glass Lens	<b>YES</b>
5	R0790700	Clamp Assembly	<b>YES</b>
6	R0790801	Face Ring, Stainless Steel (SS)	<b>YES</b>
6	R0790802	Face Ring, Plastic, White	<b>YES</b>
6	R0790803	Face Ring, Plastic, Black	<b>YES</b>
6	R0790804	Face Ring, Plastic, Gray	<b>YES</b>
6	R0790805	Face Ring, Plastic Set	<b>YES</b>
7	R0790900	Pilot Screw, with Retainer	<b>YES</b>
8	R0791000	Clamp Screws (8 Screws and 8 Retainers)	<b>YES</b>

## 9.2 Jandy Pro Series Small WaterColors RGBW LED Light

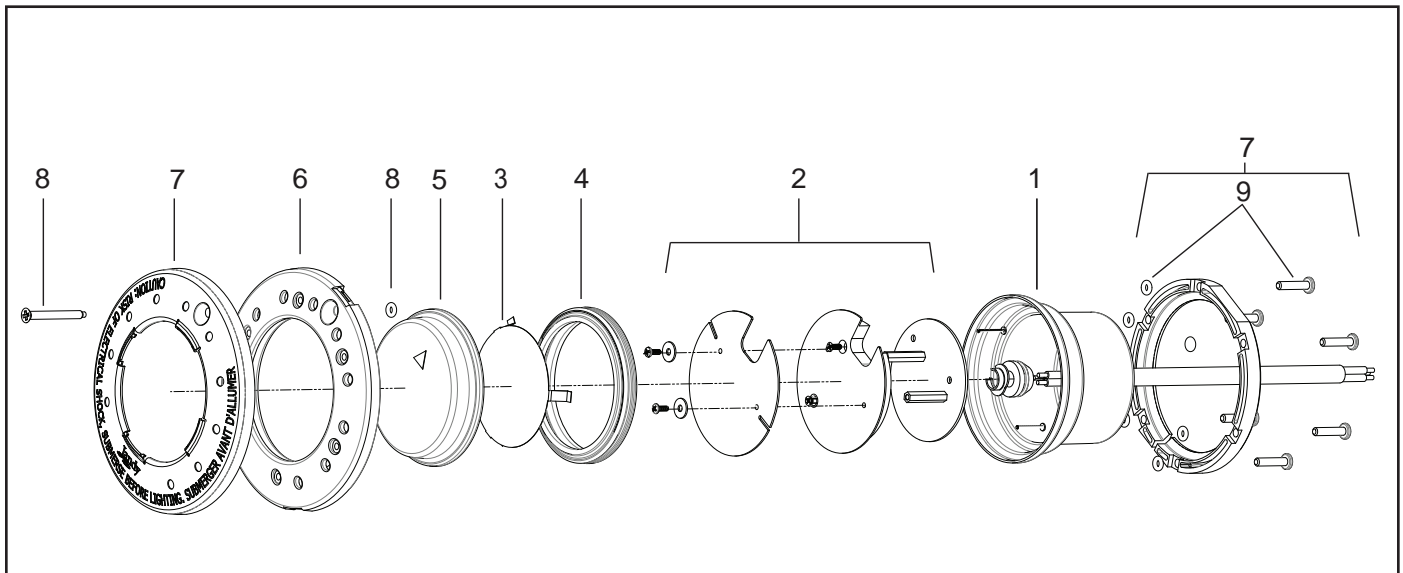


Figure 12. Jandy Pro Series Small WaterColors RGBW LED Light Exploded View

DWG #	Part #	Description	Field Replaceable
1	N/A	WaterColors RGBW LED Light Housing	NO - Purchase New Light
2	R0739600	Light Engine, Small LED Light	YES
3	R0739700	Diverger, Light Shaping, Small LED Light	YES
4	R0791100	Silicone Gasket	YES
5	R0791200	Glass Lens	YES
6	R0791300	Clamp Assembly	YES
7	R0791401	Face Ring, Stainless Steel (SS)	YES
7	R0791402	Face Ring, Plastic, White	YES
7	R0791403	Face Ring, Plastic, Black	YES
7	R0791404	Face Ring, Plastic, Gray	YES
7	R0791405	Face Ring, Plastic Set	YES
8	R0790900	Pilot Screw, with Retainer	YES
9	R0791600	Clamp Screws (6 Screws and 6 Retainers)	YES

Zodiac Pool Systems, Inc.  
2620 Commerce Way, Vista, CA 92081  
1.800.822.7933 | [www.ZodiacPoolSystems.com](http://www.ZodiacPoolSystems.com)

Zodiac Pool Systems Canada, Inc.  
2115 South Service Road West, Unit 3 Oakville, ON L6L 5W2  
1-888-647-4004 | [www.ZodiacPoolSystems.ca](http://www.ZodiacPoolSystems.ca)

ZODIAC® is a registered trademark of Zodiac International, S.A.S.U., used under license.  
All trademarks referenced herein are the property of their respective owners.

©2017 Zodiac Pool Systems, Inc. H0596700 Rev B





# MANUEL D'INSTALLATION ET MODE D'EMPLOI

ENGLISH | FRANÇAIS | ESPAÑOL



## Lampes à DEL RGBW WaterColors Pro Series de Jandy Lampes immergées de grande et petite taille

### AVERTISSEMENT

**POUR VOTRE SÉCURITÉ** – L'installation et l'entretien de ce produit doivent être effectués par un technicien agréé et certifié pour la réparation des équipements de piscine dans le territoire de compétence dans lequel ledit produit est installé lorsque de telles exigences locales, provinciales, territoriales ou d'État existent. Le responsable de l'entretien doit être un professionnel ayant une expérience suffisante dans l'installation et l'entretien des équipements de piscine de manière à ce que les consignes du présent manuel puissent être suivies à la lettre. Avant d'installer ce produit, prière de lire et de respecter toutes les consignes de mise en garde et les instructions comprises avec ce produit. Le non-respect des mises en garde et des instructions pourrait causer des dommages matériels, des blessures ou même la mort. L'installation ou l'utilisation inappropriée annulera la garantie.

L'installation ou l'utilisation inappropriée peuvent créer un danger électrique indésirable, lequel peut entraîner des blessures graves, des dommages matériels ou la mort.



**À L'ATTENTION DE L'INSTALLATEUR** – Le présent manuel contient des renseignements importants sur l'installation, le fonctionnement et la sécurité de ce produit. Ces renseignements doivent être donnés au propriétaire ou à l'utilisateur de cet appareil.

## Table des matières

<b>Section 1. Règles de sécurité.....</b>	<b>3</b>	<b>Section 6. Mode d'emploi de la lampe à DEL RGBW WaterColors de Jandy.....</b>	<b>8</b>
<b>Section 2. Description du produit et numéros de modèles.....</b>	<b>4</b>	6.1 Pour faire fonctionner la lampe et changer les couleurs.....	8
<b>Section 3. Installation d'un luminaire Jandy sur un chantier de construction.....</b>	<b>5</b>	6.2 Pour réinitialiser la séquence de couleurs.....	10
3.1 Préparation du luminaire pour l'installation .....	5	<b>Section 7. Remplacement du moteur de la lampe (carte de circuits imprimés) .....</b>	<b>10</b>
3.2 Installation du luminaire .....	6	7.1 Retrait du crochet-support de piscine.....	10
<b>Section 4. Remplacement d'un luminaire Jandy dans une piscine ou un spa existants.....</b>	<b>6</b>	7.2 Remplacement du moteur de la petite lampe de 12 V (carte de circuits imprimés) .....	10
4.1 Préparation du luminaire pour le remplacement.....	6	7.3 Remplacement de la petite carte à DEL de 120 V .....	11
4.2 Remplacement du luminaire .....	7	7.4 Remplacement du moteur de la petite lampe de 120 V (carte de circuits imprimés) .....	11
<b>Section 5. Options de câblage pour le contrôle des lampes à DEL RGBW WaterColors .....</b>	<b>8</b>	7.5 Remplacement du moteur de la grande lampe (carte de circuits imprimés) (120 V et 12 V).....	11
5.1 Câblage à un système de contrôle AquaLink® RS .....	8	7.6 Réassemblage du luminaire.....	11
5.2 Câblage à une minuterie .....	8	7.7 Réinstallation du luminaire Pro Series de Jandy dans la niche.....	13
5.3 Câblage à un interrupteur.....	8	<b>Section 8. Installation 12 volts .....</b>	<b>13</b>
		<b>Section 9. Vue éclatée et pièces de rechange .....</b>	<b>14</b>
		9.1 Grande lampe à DEL RGBW WaterColors de Jandy.....	14
		9.2 Petite lampe à DEL RGBW WaterColors de Jandy.....	15



## Section 1. Consignes de sécurité

### DIRECTIVES DE SÉCURITÉ IMPORTANTES RELATIVES À UN RISQUE D'INCENDIE, DE DÉCHARGE ÉLECTRIQUE OU DE BLESSURE.

#### LIRE ET SUIVRE TOUTES LES DIRECTIVES

Au moment de l'installation et de l'utilisation de cet équipement électrique, des précautions de base doivent toujours être suivies, entre autres :

#### AVERTISSEMENT

**RISQUE DE DÉCHARGE ÉLECTRIQUE OU D'ÉLECTROCUTION.** Cette lampe immergée doit être installée par un électricien agréé ou certifié en accord avec le Code national de l'électricité américain (National Electrical Code, ou NEC) et avec les autres codes et règlements applicables à l'échelle locale. Une installation inappropriée peut causer des dommages matériels et entraîner un risque de danger électrique (décharge électrique ou électrocution) pouvant causer des blessures graves et même la mort des installateurs ou des utilisateurs de la piscine ou du spa. Lisez et respectez les instructions détaillées ci-dessous.

#### AVERTISSEMENT

Avant d'installer la lampe immergée, lisez et respectez toutes les consignes de mise en garde et les instructions incluses avec cette lampe. Toute effraction à ces consignes de sécurité et instructions peut causer des blessures graves ou mortelles, ou des dommages matériels. Composez le +1-707-776-8200 pour recevoir gratuitement des manuels de consignes de sécurité supplémentaires.

#### MISE EN GARDE

Sauf dans le cas où les lampes à DEL RGBW WaterColors Pro Series de Jandy sont installées dans une zone de la piscine qui n'est pas utilisée pour nager et où la lentille est protégée de façon adéquate pour empêcher qu'une personne entre en contact avec elle, la lampe doit être installée dans un mur de la piscine ou sur celui-ci, avec le haut de l'ouverture de la lentille au moins à 457 mm (18 po) sous le niveau d'eau normal de la piscine.



#### À L'ATTENTION DE L'INSTALLATEUR

Ce manuel contient des renseignements importants concernant l'installation, le fonctionnement et les consignes de sécurité pour ce produit. Ces renseignements doivent être donnés au propriétaire ou à l'utilisateur de cet appareil.

#### AVIS

Les lampes à DEL RGBW WaterColors Pro Series de Jandy sont conçues pour être installées dans les piscines d'eau douce et d'eau salée. Assurez-vous que les niches immergées dans lesquelles les lampes doivent être installées sont conçues pour l'utilisation appropriée : eau douce ou eau salée.

**CONSERVER CES DIRECTIVES**

## Section 2. Description du produit et numéros de modèles

N° de modèle	Taille de la lampe WaterColors	Tension	Ampères	Longueur des câbles	Matériau de l'anneau frontal
CPLVRGBWS30	Grande	12 V CA	4.0	9,14 m (30 pi)	Acier inoxydable
CPLVRGBWS50	Grande	12 V CA	4.0	15,24 m (50 pi)	Acier inoxydable
CPLVRGBWS100	Grande	12 V CA	4.0	30,48 m (100 pi)	Acier inoxydable
CPLVRGBWP100	Grande	12 V CA	4.0	30,48 m (100 pi)	Plastique
CPLVRGBWS50C	Grande	12 V CA	4.0	15,24 m (50 pi)	Acier inoxydable
CPLVRGBWS100C	Grande	12 V CA	4.0	30,48 m (100 pi)	Acier inoxydable
CPLVRGBWP100C	Grande	12 V CA	4.0	30,48 m (100 pi)	Plastique
CPHVRGBWS30	Grande	120 V CA	0.4	9,14 m (30 pi)	Acier inoxydable
CPHVRGBWS50	Grande	120 V CA	0.4	15,24 m (50 pi)	Acier inoxydable
CPHVRGBWS100	Grande	120 V CA	0.4	30,48 m (100 pi)	Acier inoxydable
CPHVRGBWP100	Grande	120 V CA	0.4	30,48 m (100 pi)	Plastique
CPHVRGBWS150	Grande	120 V CA	0.4	45,72 m (150 pi)	Acier inoxydable
CPHVRGBWS250	Grande	120 V CA	0.4	76,2 m (250 pi)	Acier inoxydable
CPHVRGBWS50C	Grande	120 V CA	0.4	15,24 m (50 pi)	Acier inoxydable
CPHVRGBWS100C	Grande	120 V CA	0.4	30,48 m (100 pi)	Acier inoxydable
CPHVRGBWP100C	Grande	120 V CA	0.4	30,48 m (100 pi)	Plastique
CSLVRGBWS30	Petite	12 V CA	2.0	9,14 m (30 pi)	Acier inoxydable
CSLVRGBWS50	Petite	12 V CA	2.0	15,24 m (50 pi)	Acier inoxydable
CSLVRGBWS100	Petite	12 V CA	2.0	30,48 m (100 pi)	Acier inoxydable
CSLVRGBWP100	Petite	12 V CA	2.0	30,48 m (100 pi)	Plastique
CSLVRGBWS50C	Petite	12 V CA	2.0	15,24 m (50 pi)	Acier inoxydable
CSLVRGBWS100C	Petite	12 V CA	2.0	30,48 m (100 pi)	Acier inoxydable
CSLVRGBWP100C	Petite	12 V CA	2.0	30,48 m (100 pi)	Plastique
CSHVRGBWS30	Petite	120 V CA	0.2	9,14 m (30 pi)	Acier inoxydable
CSHVRGBWS50	Petite	120 V CA	0.2	15,24 m (50 pi)	Acier inoxydable
CSHVRGBWS100	Petite	120 V CA	0.2	30,48 m (100 pi)	Acier inoxydable
CSHVRGBWP100	Petite	120 V CA	0.2	30,48 m (100 pi)	Plastique
CSHVRGBWS150	Petite	120 V CA	0.2	45,72 m (150 pi)	Acier inoxydable
CSHVRGBWS250	Petite	120 V CA	0.2	76,2 m (250 pi)	Acier inoxydable
CSHVRGBWS50C	Petite	120 V CA	0.2	15,24 m (50 pi)	Acier inoxydable
CSHVRGBWS100C	Petite	120 V CA	0.2	30,48 m (100 pi)	Acier inoxydable
CSHVRGBWP100C	Petite	120 V CA	0.2	30,48 m (100 pi)	Plastique

## Section 3. Installation du luminaire Pro Series de Jandy pour une nouvelle construction

### ⚠ AVERTISSEMENT

**Risque de décharge électrique ou d'électrocution.** Cette lampe immergée doit être installée par un électricien agréé ou certifié, ou par un technicien de piscine qualifié, en accord avec le Code national d'électricité américain (National Electrical Code, ou NEC) et avec tout autre code et règlement local applicable. Une installation inappropriée peut causer des dommages matériels et entraîner un risque de danger électrique (décharge électrique ou électrocution) pouvant causer des blessures graves et même la mort des installateurs ou des utilisateurs de la piscine ou du spa.

Coupez toujours le courant de la lampe de couleur au disjoncteur avant de l'installer ou de l'entretenir. Ne pas respecter cette consigne pourrait causer des blessures graves ou la mort du réparateur, des utilisateurs de la piscine ou du spa, ou de toute autre personne, par décharge électrique.

### 3.1 Préparation du luminaire pour l'installation

**REMARQUE** L'électricien doit réaliser toutes les étapes préparatoires avant d'installer le luminaire. Voir l'illustration 1.

Assurez-vous que la piscine répond bien aux exigences du Code national d'électricité américain (National Electrical Code®, ou NEC) et à tous les codes et règlements en vigueur à l'échelle locale. L'installation du système électrique doit être effectuée par un électricien agréé ou certifié qui devra s'assurer que les exigences réglementaires sont satisfaites, voire dépassées, avant d'installer la lampe immergée. Certaines exigences du Code national de l'électricité américain auxquelles doit répondre le système électrique de la piscine se déclinent comme suit :

### ⚠ AVERTISSEMENT

Pour réduire le risque de décharge électrique ou d'électrocution, ce qui pourrait entraîner des blessures ou la mort, relativement au raccordement de l'alimentation de lampes basse tension, utilisez uniquement un bloc d'alimentation basse tension isolant, évalué et homologué par un laboratoire de test reconnu à l'échelle nationale (NRTL) pour un usage dans une piscine.

1. Le circuit d'éclairage doit comprendre un disjoncteur de fuite à la terre pour les modèles de 120 volts, et le disjoncteur doit comporter un fusible de calibre approprié.
2. La boîte de jonction (ou le transformateur basse tension pour les modèles 12 volts) doit se trouver au moins à 20,32 cm (8 po) au-dessus du niveau de l'eau, au moins à 10,16 cm (4 po) au-dessus du niveau du sol et au moins à 121,92 cm (4 pi) du bord de la piscine. Voir l'illustration 1.

3. Le luminaire et tous les composants métalliques qui se trouvent dans un rayon de 152,4 cm (5 pi) de la piscine doivent être mis à la terre correctement, à un point de terre fiable.
4. La niche immergée doit être installée de manière à ce que le bord supérieur de la lentille de la lampe soit à 45,72 cm (18 po) en dessous de la surface de l'eau de la piscine. Voir l'illustration 1.
5. La niche immergée doit être correctement mise à la terre à l'aide de la cosse de mise à la terre AWG 8 qui se trouve à l'arrière de la niche. Voir l'illustration 1.

**REMARQUE** Pour s'assurer que le système électrique de la piscine répond à toutes les exigences applicables, l'électricien doit également consulter le Service local de construction.

N'utilisez que des niches immergées qui ont été approuvées (voir la remarque qui suit) afin d'assurer une installation appropriée et sécurisée.

**REMARQUE** Les lampes Pro Series de Jandy sont homologuées ETL (rapport/dossier ETL 3141154CHI) pour une installation uniquement avec les niches immergées des fabricants suivants :

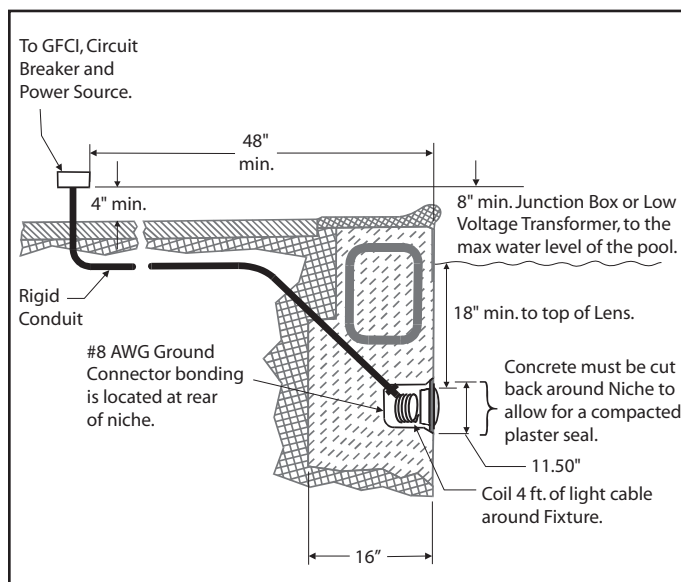
**Numéros de modèles de niches de grande taille :**

Pro Series de Jandy : PLNICLRG, PLNICVFLRG,  
WT000002, SSNICLRG1R, SSNICLRG1S  
Pentair : 620004, 78210200 à 700,  
78210401, 79206700  
Hayward DuraNiche : SP0600U  
Sta-Rite : 05161-2352 à 2369, 05163-2395 à 2396

**Numéros de modèles de niches de petite taille :**

Pro Series de Jandy : PLNICSM, SSNICSM,  
Pentair : 78241100, 78242200, 78242300  
78243100 à 300, 78244100 à 300, 79206600  
Hayward DuraNiche : SP0601U  
Sta-Rite : 05166-1017 à 1034, 05167-1035 à 1037

Pentair® et Sta-Rite® sont des marques déposées de Pentair, Inc. Hayward® est une marque déposée et DuraNiche™ est une marque de commerce de Hayward Pool Products, Inc.



### Illustration 1. Installation de la lampe de couleur numérique Pro Series de Jandy

## 3.2 Installation du luminaire

**REMARQUE** Réalisez ces étapes seulement une fois que les exigences du système électrique sont satisfaites.

1. Faites passer le câble dans le conduit vers la boîte de jonction, en laissant au moins 121,92 cm (4 pi) de câble au luminaire pour l'enrouler dans la base de la niche de la lampe; consultez l'Illustration 1. Ces 121,92 cm (4 pi) de câble permettront d'effectuer l'entretien de la lampe une fois que la piscine est remplie d'eau.
2. Coupez le câble au niveau de la boîte de jonction, en laissant environ 15,24 cm (6 po) de câble pour les connexions.
3. Dénudez 15,24 cm (6 po) de câble pour exposer les trois (3) fils isolés. *Attention de ne pas endommager l'isolant des trois (3) fils qui sont à l'intérieur du câble.*
4. Installez le serre-câble sur la gaine de câble et branchez les trois (3) fils sur les fils du circuit correspondants dans la boîte de jonction. Installez le couvercle de la boîte de jonction.
5. Enroulez les 121,92 cm (4 pi) de câble autour du luminaire ou à la base de la niche de la piscine et placez la lampe dans la niche.
6. Engagez la languette de retenue au bas de l'anneau frontal, faites pivoter le haut du luminaire vers l'intérieur et serrez la vis-guide.

### AVERTISSEMENT

Utilisez uniquement la vis-guide fournie avec cette lampe immergée. Cette vis maintient solidement et relie à la terre électriquement le boîtier à la bague de montage et à la niche immergée. Ne pas utiliser cette vis peut créer un danger électrique pouvant causer la mort par décharge électrique ou des blessures graves aux utilisateurs ou à l'installateur de la piscine ou du spa, ou à des tiers.

7. Remplissez la piscine jusqu'à ce que la lampe immergée soit complètement submergée avant de l'allumer pendant plus de deux (2) minutes. La lampe chauffe rapidement lorsqu'elle est utilisée hors de l'eau. Allumez l'interrupteur ou le disjoncteur principal et l'interrupteur qui commande la lampe immergée pour vérifier qu'elle fonctionne bien. Reportez-vous à la Section 6, Mode d'emploi.

### AVERTISSEMENT

Ne faites jamais fonctionner cette lampe immergée durant plus de 10 secondes si elle n'est pas totalement submergée. Si elle n'est pas totalement sous l'eau, la lampe deviendra extrêmement chaude, ce qui risquerait de vous brûler sévèrement ou de causer une défaillance de l'ampoule ou de la lentille. Cela pourrait blesser grièvement les utilisateurs ou les installateurs de la piscine ou du spa, ou toute autre personne à proximité, et pourrait causer des dommages matériels.

## Section 4. Remplacement d'un luminaire Pro Series de Jandy dans une piscine ou un spa existant

### AVERTISSEMENT

**Risque de décharge électrique ou d'électrocution.** Cette lampe immergée doit être installée par un électricien agréé ou certifié, ou par un technicien de piscine qualifié, en accord avec le Code national d'électricité américain (National Electrical Code, ou NEC) et avec tout autre code et règlement local applicable. Une installation inappropriée peut causer des dommages matériels et entraîner un risque de danger électrique (décharge électrique ou électrocution) pouvant causer des blessures graves et même la mort des installateurs ou des utilisateurs de la piscine ou du spa.

Coupez toujours le courant de la lampe de couleur au disjoncteur avant de l'installer ou de l'entretenir. Ne pas respecter cette consigne pourrait causer des blessures graves ou la mort du réparateur, des utilisateurs de la piscine ou du spa, ou de toute autre personne, par décharge électrique.

### 4.1 Préparation du luminaire pour le remplacement

Assurez-vous que la piscine satisfait les exigences du Code national de l'électricité américain (National Electrical Code®, ou NEC) en vigueur et de tous les codes et règlements locaux. L'installation du système électrique doit être effectuée par un électricien agréé ou certifié qui devra s'assurer que les exigences réglementaires sont satisfaites, voire dépassées, avant d'installer la lampe immergée. Certaines exigences du Code national de l'électricité américain auxquelles la piscine doit se conformer se déclinent comme suit :

1. Le circuit d'éclairage doit comprendre un disjoncteur de fuite à la terre pour les modèles de 120 volts, et le disjoncteur doit comporter un fusible de calibre approprié.
2. La boîte de jonction (ou le transformateur basse tension pour les modèles 12 volts) doit se trouver au moins à 20,32 cm (8 po) au-dessus du niveau de l'eau,

au moins à 10,16 cm (4 po) au-dessus du niveau du sol ou de la plateforme et au moins à 121,92 cm (48 po) du bord de la piscine ou du spa. Voir l'illustration 1.

3. Le luminaire et tous les composants métalliques qui se trouvent dans un rayon de 152,4 cm (5 pi) de la piscine doivent être mis à la terre correctement, à un point de terre fiable.
4. La niche immergée doit être installée de manière à ce que le bord supérieur de la lentille de la lampe soit à 45,72 cm (18 po) en dessous de la surface de l'eau de la piscine. Voir l'illustration 1.
5. La niche immergée doit être correctement mise à la terre à l'aide de la cosse de mise à la terre AWG 8 qui se trouve à l'arrière de la niche. Voir l'illustration 1.

Pour s'assurer que le système électrique de la piscine répond à toutes les exigences applicables, l'électricien doit également consulter le Service local de construction.

## 4.2 Remplacement du luminaire

**REMARQUE** Réalisez ces étapes seulement une fois que les exigences du système électrique sont satisfaites.

### AVERTISSEMENT

Ne pas respecter la conformité aux normes du code pour le système électrique de la piscine avant d'installer la lampe immergée entraîne un danger électrique susceptible de causer la mort par décharge électrique ou des blessures graves aux utilisateurs ou aux installateurs de la piscine ou du spa, ou encore à des tiers, et pourrait causer des dommages matériels.

**REMARQUE** Il est possible de remplacer le luminaire sans vider la piscine.

1. Éteignez l'interrupteur électrique ou le disjoncteur principal et l'interrupteur qui commande la lampe immergée.
2. Dévissez la vis-guide située en haut de l'anneau frontal et sortez le luminaire de la niche afin de le placer sur la plateforme de la piscine.

### AVERTISSEMENT

Assurez-vous de conserver la vis-guide fournie avec cette lampe immergée. Cette vis maintient solidement et relie à la terre électriquement le boîtier à la bague de montage et à la niche immergée. Ne pas utiliser cette vis peut créer un danger électrique pouvant causer la mort par décharge électrique ou des blessures graves aux utilisateurs ou à l'installateur de la piscine ou du spa, ou à des tiers.

3. Retirez le couvercle de la boîte de jonction, débranchez les fils du luminaire et le serre-câble, puis tirez sur le câble pour le faire sortir du conduit à partir de la niche.

4. Faites passer le câble du nouveau luminaire dans le conduit de la niche jusqu'à la boîte de jonction.

**REMARQUE** Selon la longueur du conduit, vous pourriez avoir besoin d'outils spéciaux pour tirer le cordon à travers le conduit.

5. Laissez au moins 121,92 cm (4 pi) de câble au luminaire pour l'enrouler autour du luminaire ou dans la base de la niche de la lampe; consultez l'illustration 1. Cela permettra d'effectuer l'entretien de la lampe une fois que la piscine est remplie d'eau.
6. Coupez le câble au niveau de la boîte de jonction, en laissant au moins 15,24 cm (6 po) de câble pour effectuer les branchements.
7. Dénudez le câble sur 15,24 cm (6 po) pour exposer les trois (3) fils internes isolés. *Attention de ne pas endommager l'isolant des trois (3) fils qui sont à l'intérieur du câble.*
8. Installez le serre-câble sur la gaine de câble et branchez les trois (3) fils sur les fils du circuit correspondants dans la boîte de jonction. Installez le couvercle de la boîte de jonction.
9. Réinstallez le luminaire dans la niche et serrez la vis-guide.

### AVERTISSEMENT

Utilisez uniquement la vis-guide fournie avec cette lampe immergée. Cette vis maintient solidement et relie à la terre électriquement le boîtier à la bague de montage et à la niche immergée. Ne pas utiliser cette vis peut créer un danger électrique pouvant causer la mort par décharge électrique ou des blessures graves aux utilisateurs ou à l'installateur de la piscine ou du spa, ou à des tiers.

10. Remplissez la piscine jusqu'à ce que la lampe immergée soit complètement submergée avant d'allumer la lampe pendant plus de 10 secondes. Allumez l'interrupteur ou le disjoncteur principal ainsi que l'interrupteur qui commande la lampe immergée pour vérifier qu'elle fonctionne bien. Reportez-vous à la Section 6, Mode d'emploi.

### AVERTISSEMENT

Ne faites jamais fonctionner cette lampe immergée durant plus de 10 secondes si elle n'est pas totalement submergée. Si elle n'est pas totalement sous l'eau, la lampe deviendra extrêmement chaude, ce qui risquerait de vous brûler sévèrement ou de causer une défaillance de l'ampoule ou de la lentille. Cela pourrait blesser grièvement les utilisateurs ou les installateurs de la piscine ou du spa, ou toute autre personne à proximité, et pourrait causer des dommages matériels.



## Section 5. Options de câblage pour le contrôle des lampes à DEL WaterColors Pro Series de Jandy

**REMARQUE** Les lampes à DEL RGBW WaterColors Pro Series de Jandy ne fonctionneront pas correctement avec des gradateurs de lumière. *Ne pas brancher les lampes Pro Series de Jandy à une circuiterie de gradateur.*

Dans la mesure où le permettent un code et la capacité de l'équipement électrique, il est possible de contrôler plusieurs lampes Pro Series de Jandy avec un seul interrupteur de manière à ce que leurs couleurs soient toujours synchronisées.

Des interrupteurs différents peuvent être utilisés pour contrôler la fonction marche/arrêt et les fonctions des couleurs de chaque lampe Pro Series de Jandy. Il est conseillé d'installer ces interrupteurs à proximité les uns des autres pour faciliter la synchronisation simple des couleurs lorsque vous le souhaitez. Tous les interrupteurs doivent être actionnés en même temps pour assurer une bonne synchronisation des couleurs. Autrement, les lampes fonctionneront indépendamment les unes des autres.

### 5.1 Câblage à un système de contrôle Aqualink® RS

Les lampes à DEL RGBW WaterColors Pro Series de Jandy peuvent être câblées au système de contrôle AquaLink® RS Pro Series de Jandy pour faciliter l'utilisation des lampes et pour synchroniser la fonction de changement de couleur. Raccordez les lampes à l'un des relais auxiliaires dans le centre de puissance électrique.

**REMARQUE** Il est recommandé de brancher une lampe par relais de manière à ce que chaque lampe puisse être contrôlée indépendamment. Toutefois, un maximum de quatre (4) lampes peut être branché à un même relais. Si plus de quatre (4) lampes sont installées sur un système Aqualink RS, assurez-vous que plusieurs relais soient disponibles dans le centre de puissance électrique.

Consultez les Illustrations 2 et 3 pour brancher les lampes de couleur Pro Series de Jandy au centre de puissance électrique.

## AVERTISSEMENT

**RISQUE DE DÉCHARGE ÉLECTRIQUE OU D'ÉLECTROCUTION pouvant entraîner de graves blessures ou la mort.** Pour les modèles de 120 volts, un disjoncteur de fuite à la terre doit être utilisé. Un disjoncteur de fuite à la terre doit être fourni pour les transformateurs de 120 V si requis par le fabricant du transformateur, le code local applicable ou l'autorité compétente. Les conducteurs du côté charge du circuit du disjoncteur de fuite à la terre ne doivent pas se trouver dans les conduits, les boîtiers ou les enveloppes contenant d'autres conducteurs, à moins que les conducteurs supplémentaires ne soient aussi protégés par un disjoncteur de fuite à la terre. Se reporter aux codes locaux pour obtenir les détails complets.

**REMARQUE** Les lampes WaterColors Pro Series de Jandy sont offertes en versions de 120 volts et 12 volts. Dans le cas de l'installation d'une lampe de 12 volts, il faut utiliser un transformateur abaisseur de 120 volts/12 volts certifié NRTL. Pour obtenir plus de détails sur les installations 12 volts, reportez-vous à la Section 8 de ce guide.

### 5.2 Câblage à une minuterie

Les lampes à DEL RGBW WaterColors Pro Series de Jandy peuvent être câblées à une minuterie de base pour allumer automatiquement les lampes à une heure en particulier. Reportez-vous à l'Illustration 4 pour brancher les lampes à la minuterie.

### 5.3 Câblage à un interrupteur

Il est possible de câbler les lampes à DEL RGBW WaterColors Pro Series de Jandy à un interrupteur pour allumer et éteindre les lampes manuellement. Reportez-vous à l'Illustration 5 pour brancher les lampes à l'interrupteur.

## Section 6. Mode d'emploi de la lampe à DEL RGBW WaterColors Pro Series de Jandy

### 6.1 Pour faire fonctionner la lampe et changer les couleurs

**ALLUMEZ** la lampe. La première fois que la lampe est allumée, la séquence de changement des couleurs démarre avec la couleur Blanc alpin. Pour changer la couleur, éteignez la lampe et allumez-la de nouveau dans les trois (3) secondes. Continuez à éteindre et à allumer la lampe jusqu'à ce que le mode de couleur souhaité soit atteint. Voir le Tableau 1 pour consulter la séquence de modes de couleurs.

**Tableau 1. Séquence des lampes WaterColors Pro Series de Jandy**

Ordre de la séquence	Modes de couleurs
1	Blanc alpin
2	Bleu ciel
3	Bleu cobalt
4	Bleu Caraïbes
5	Vert printemps
6	Vert émeraude
7	Rose émeraude
8	Magenta
9	Violet
10	Éclaboussure lente de couleur
11	Éclaboussure rapide de couleur
12	Amérique la belle
13	Mardi gras
14	Discothèque

**REMARQUE** Lorsque la lampe reste ÉTEINTE pendant plus de sept (7) secondes, elle reste programmée sur la couleur qui était active lorsqu'elle a été éteinte. Lorsque la lampe est de nouveau ALLUMÉE, elle sera dans la même couleur programmée.

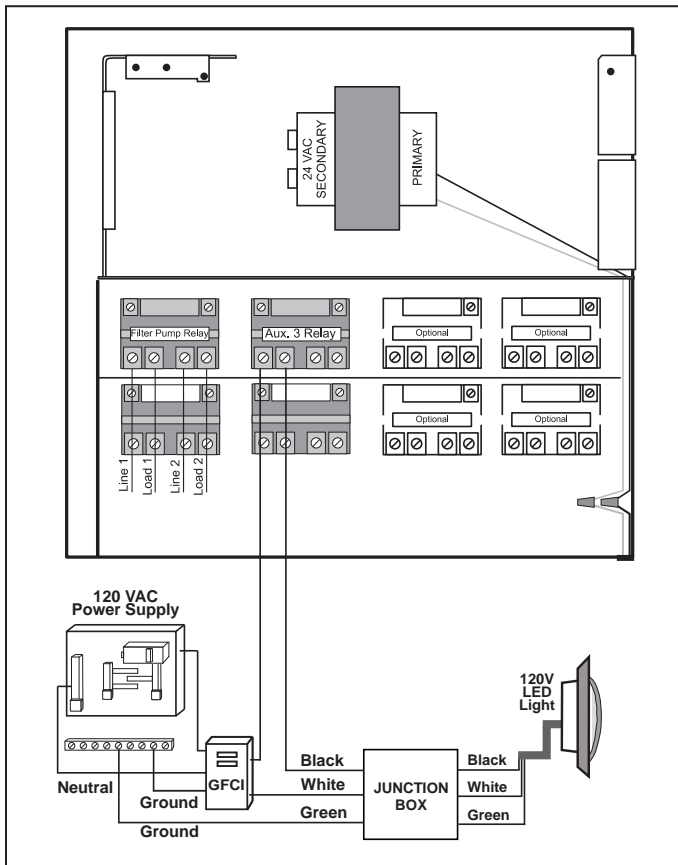


Illustration 2. Schéma de câblage de lampe à DEL RGBW WaterColors 120 volts Pro Series de Jandy

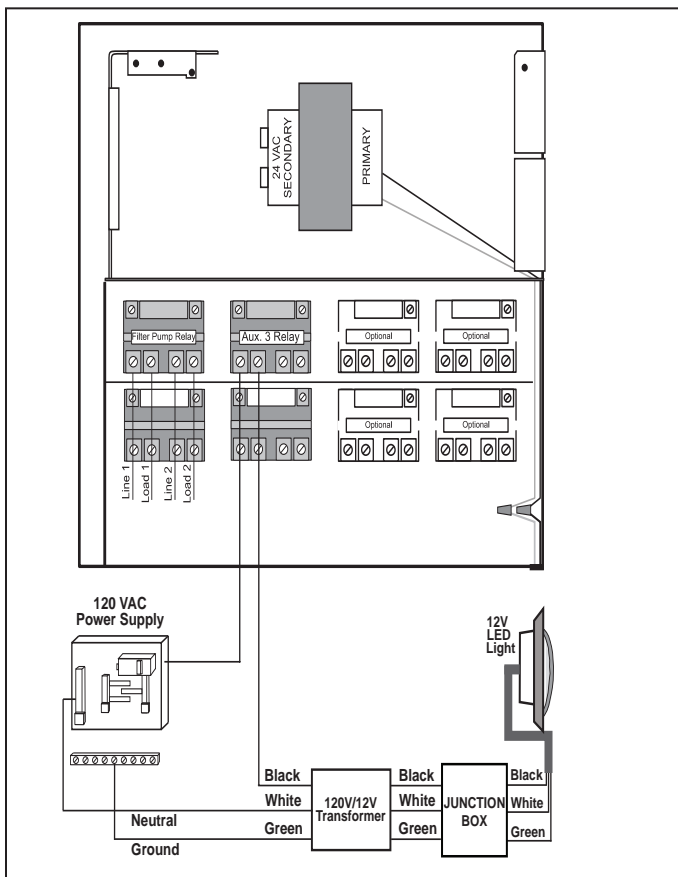


Illustration 3. Schéma de câblage de lampe à DEL RGBW WaterColors 12 volts Pro Series de Jandy

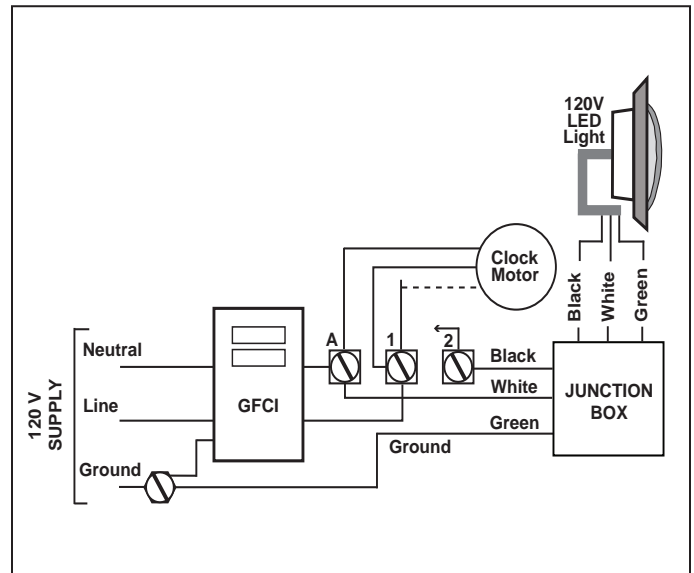


Illustration 4. Câblage de la lampe à DEL RGBW WaterColors Pro Series de Jandy à une minuterie

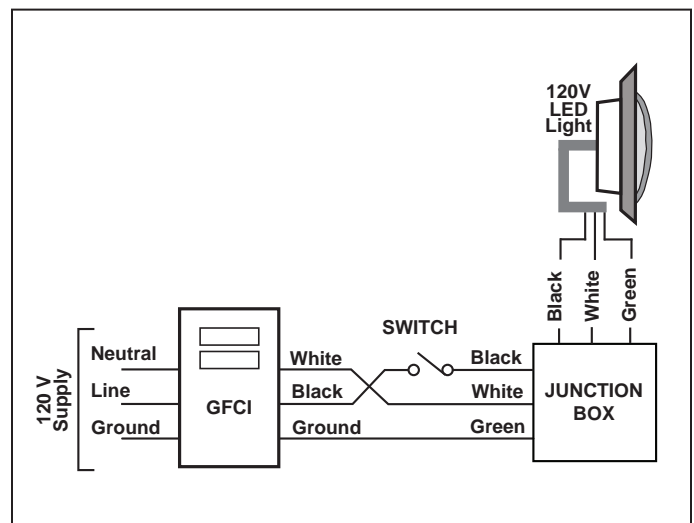


Illustration 5. Câblage de la lampe à DEL RGBW WaterColors Pro Series de Jandy à un interrupteur

## 6.2 Pour réinitialiser la séquence de couleurs

ÉTEIGNEZ la lampe, attendez de quatre (4) à cinq (5) secondes, puis ALLUMEZ-la. La lampe reviendra au commencement du cycle de couleurs (Blanc alpin).

**REMARQUE** Si un système de contrôle AquaLink® RS est utilisé, il est possible de définir la couleur à l'aide du contrôleur intérieur.

**REMARQUE** Pour synchroniser les couleurs sur plusieurs lampes à DEL RGBW WaterColors Pro Series de Jandy branchées à des interrupteurs distincts, effectuez les opérations précédentes simultanément sur tous leurs interrupteurs. Toutes les lampes à DEL RGBW WaterColors Pro Series de Jandy se synchroniseront automatiquement si elles sont activées par le même interrupteur. Aucun autre accessoire n'est requis.

## Section 7. Remplacement de la carte et du moteur de DEL (carte de circuits imprimés)

### AVERTISSEMENT

Coupez toujours le courant de la lampe de couleur au niveau du disjoncteur avant d'effectuer l'entretien de la lampe. Ne pas respecter cette consigne risque de causer la mort par décharge électrique ou des blessures graves à l'installateur, au technicien d'entretien, aux utilisateurs de la piscine ou du spa, ou à des tiers.

1. Éteignez l'interrupteur électrique ou le disjoncteur principal et l'interrupteur qui commande la lampe immergée.
2. Assurez-vous de disposer du matériel suivant :
  - Un joint de lentille neuf.
  - Une carte de moteur de lampe. Voir les spécifications dans le Tableau 2.

### AVERTISSEMENT

Remplacez le moteur de la lampe par un moteur identique. Ne pas respecter cette consigne endommagera l'assemblage de la lampe et pourrait causer un danger électrique pouvant causer la mort ou des blessures graves aux utilisateurs de la piscine ou du spa, aux installateurs ou aux autres personnes en raison d'une décharge électrique. Cela pourrait aussi entraîner des dommages matériels. Assurez-vous de COUPER le courant avant de retirer ou d'installer une carte de circuits imprimés. Laissez refroidir la carte de circuits imprimés avant de la changer.

3. Pour démonter le luminaire, dévissez la vis-guide qui se trouve en haut de l'anneau frontal et sortez le luminaire de la niche afin de le placer sur la plateforme de la piscine. Il n'est pas nécessaire de vider la piscine. Voir l'Illustration 6.

Tableau 2. Spécifications de la lampe

Modèle Pro Series de Jandy	Tension du luminaire	Moteur de la lampe (carte de circuits imprimés) Numéro de pièce
Grande lampe à DEL RGBW WaterColors	12 V CA	R0739500
Grande lampe à DEL RGBW WaterColors	120 V CA	R0739400
Petite lampe à DEL RGBW WaterColors	12 V CA	R0785700
Petite lampe à DEL RGBW WaterColors	120 V CA	R0739600

### AVERTISSEMENT

Assurez-vous de conserver la vis-guide de cette lampe immergée. Cette vis maintient solidement et relie à la terre électriquement le boîtier à la bague de montage et à la niche immergée. Ne pas utiliser cette vis peut créer un danger électrique pouvant causer la mort par décharge électrique ou des blessures graves aux utilisateurs ou à l'installateur de la piscine ou du spa, ou à des tiers.

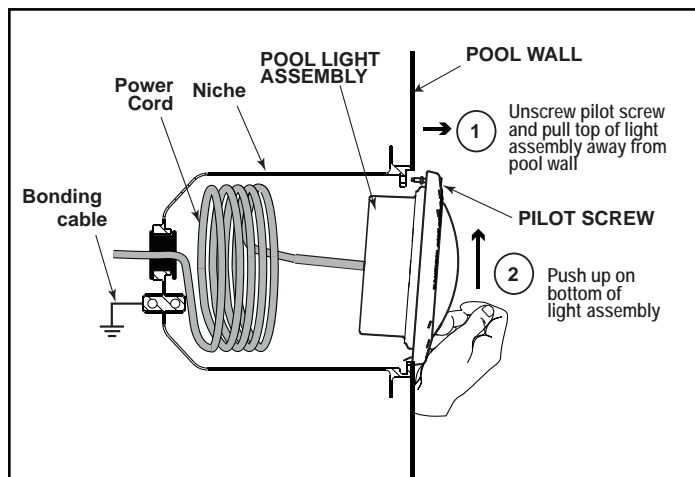
#### 7.1 Retrait du crochet-support de piscine.

1. Desserrez les vis cruciformes (six [6] pour la petite lampe, huit [8] pour la grande lampe) afin de pouvoir retirer le crochet-support de l'anneau frontal. Ne retirez ni les vis ni les bagues de retenue. Les bagues de retenue empêchent les vis de tomber du crochet-support du bas et facilitent l'assemblage du luminaire.
2. Retirez le crochet-support du bas, l'anneau frontal, la lentille et le joint du luminaire. Retirez le joint en silicone de la lentille. Reportez-vous à la Section 9, Vue éclatée et pièces de rechange.

**REMARQUE** Installez toujours un joint en silicone neuf dans le cas du désassemblage de la lumière.

#### 7.2 Remplacement du moteur de la petite lampe de 12 V (carte de circuits imprimés)

1. Retirez les deux (2) fils de déconnexion rapide de la carte de circuits imprimés. Veuillez noter que le fil noir est branché à ACN (TP-2) et que le fil blanc est branché à ACL (TP-1).
2. Retirez deux (2) écrous et deux (2) rondelles.
3. Retirez le moteur de la lampe de l'assemblage du luminaire.
4. Appliquez de la graisse thermique au dos de la carte de moteur de lampe neuve.
5. Placez le nouveau moteur de la lampe dans le luminaire selon l'orientation illustrée à l'Illustration 7.
6. Fixez le moteur de lampe avec une (1) rondelle et un (1) écrou sur le côté droit du moteur de lampe. Couplez à 12 lb/po.



**Illustration 6. Démontage de la lampe à DEL RGBW WaterColors Pro Series de Jandy pour remplacer le moteur de la lampe**

7. Placez une rondelle sur l'autre goujon et placez la borne verte du fil de mise à la terre sur la rondelle, puis fixez les deux avec l'écrou. Couplez à 12 lb/po.
8. Branchez le fil de déconnexion rapide (blanc) sur la borne ACL (TP-1) du moteur de la lampe.
9. Branchez le fil de déconnexion rapide (noir) sur la borne ACN (TP-2) du moteur de la lampe.

### 7.3 Remplacement de la petite carte à DEL de 120 V

1. Débranchez l'alimentation et attendez cinq (5) minutes.
2. Retirez deux (2) vis et six (6) rondelles.
3. Débranchez le connecteur de carte du moteur de la lampe.
4. Retirez la carte à DEL du dissipateur thermique. Si vous remplacez aussi la carte de moteur, vous pouvez passer immédiatement à l'étape 7.4
5. Appliquez de la graisse thermique sur le dos de la nouvelle carte à DEL.
6. Placez la nouvelle carte à DEL dans le dissipateur thermique selon l'orientation illustrée à l'illustration 7.
7. Fixez la carte à DEL avec deux (2) vis et deux (2) rondelles.
8. Branchez le connecteur de carte.

### 7.4 Remplacement du moteur de la petite lampe de 120 V (carte de circuits imprimés)

1. Débranchez l'alimentation et attendez cinq (5) minutes.
2. Retirez la carte à DEL comme indiqué à l'étape 7.3.
3. Enlevez les deux (2) vis du dissipateur thermique et retirez-le.
4. Retirez les deux (2) fils de déconnexion rapide de la carte de circuits imprimés. Veuillez noter que le fil noir est branché à ACN et que le fil blanc est branché à ACL.
5. Retirez les deux (2) bornes métalliques de la carte du moteur.

6. Retirez la carte du moteur et mettez une nouvelle carte de moteur de lampe dans le luminaire selon l'orientation illustrée à l'illustration 7.
7. Insérez les bornes métalliques sur les goujons de vis.
8. Branchez les deux (2) fils de déconnexion rapide, le blanc sur la borne ACL du moteur de lampe et le noir sur la borne ACN.
9. Alignez le dissipateur thermique avec les bornes métalliques.
10. Fixez le dissipateur thermique avec deux (2) vis.
11. Appliquez de la graisse thermique sur le dos de la nouvelle carte à DEL.
12. Placez la nouvelle carte à DEL dans le dissipateur thermique selon l'orientation illustrée à l'illustration 7.
13. Fixez la carte à DEL avec deux (2) vis et six (6) rondelles.
14. Branchez le connecteur de la carte.

### 7.5 Remplacement du moteur de la grande lampe (carte de circuits imprimés) (120 V et 12 V)

1. Débranchez l'alimentation et attendez cinq (5) minutes.
2. Débranchez les bornes de déconnexion rapide et le fil de mise à la terre (vert) du moteur de lampe.
3. Retirez trois (3) écrous et rondelles.
4. Retirez la carte à DEL, la carte de moteur de lampe et le connecteur de carte du luminaire.
5. Appliquez de la graisse thermique sur le dos de la nouvelle carte à DEL.
6. Placez la nouvelle carte à DEL et la carte du moteur de la lampe dans le luminaire selon l'orientation illustrée à l'illustration 8.
7. Fixez les nouvelles cartes avec trois (3) rondelles, rondelles fendues et écrous. Couplez à 12 lb/po.
8. Branchez le fil blanc de déconnexion rapide sur la borne AC1 (TP-L) de la carte du moteur de la lampe.
9. Branchez le fil noir de déconnexion rapide sur la borne AC2 (TP-N) du moteur de la lampe. Assurez-vous que les connecteurs de carte sont branchés aux deux (2) cartes.
10. Pour fixer le fil de mise à la terre, placez la rondelle plate, puis le fil de mise à la terre, suivi de la rondelle fendue, en fixant le tout en place avec l'écrou. Couplez à 12 lb/po.

### 7.6 Réassemblage du luminaire.

1. Si ce n'est pas déjà fait, retirez le joint de la lentille et installez-en un nouveau sur celle-ci. Sur la petite lampe, enlevez le dispositif de changement de forme de lumière de la lentille.

**REMARQUE** Il faut utiliser un nouveau joint de lentille chaque fois que la lampe est réassemblée.

## ⚠ AVERTISSEMENT

### Risque de décharge électrique ou d'électrocution.

Installez toujours un joint de lentille neuf chaque fois que vous démontez la lampe. Dans le cas contraire, de l'eau pourrait pénétrer et causer :

(a) Un danger électrique entraînant la mort ou des blessures graves aux utilisateurs de la piscine ou du spa, aux installateurs ou aux autres personnes en raison d'une décharge électrique; ou

(b) Une défaillance de la lampe à DEL RGBW WaterColors de Jandy, qui pourrait elle aussi causer des blessures graves aux utilisateurs de la piscine ou du spa, aux installateurs ou aux personnes à proximité, ou des dommages matériels.

- En maintenant la lampe en position horizontale, placez la lentille et le joint sur la lampe. Veuillez noter que le joint de la lentille n'est pas symétrique. Il doit donc être installé de sorte que la lentille soit montée de façon étanche sur le boîtier du luminaire. Placez le joint sur la lentille selon l'orientation illustrée à l'illustration 10. Sur la petite lampe, remplacez le dispositif de changement de forme de lumière en poussant les languettes entre la lentille et le joint.

**REMARQUE** Assurez-vous de placer la face terne du dispositif de changement de forme de lumière vers la carte de circuits imprimés.

- Positionnez la lentille et le joint sur la lampe. Placez l'anneau frontal sur la lentille et alignez la vis-guide avec la petite flèche qui se trouve sur le devant de la lentille. Notez que la petite flèche qui se trouve devant la lentille et la vis-guide de l'anneau frontal doivent être alignées avec la flèche de l'étiquette du luminaire

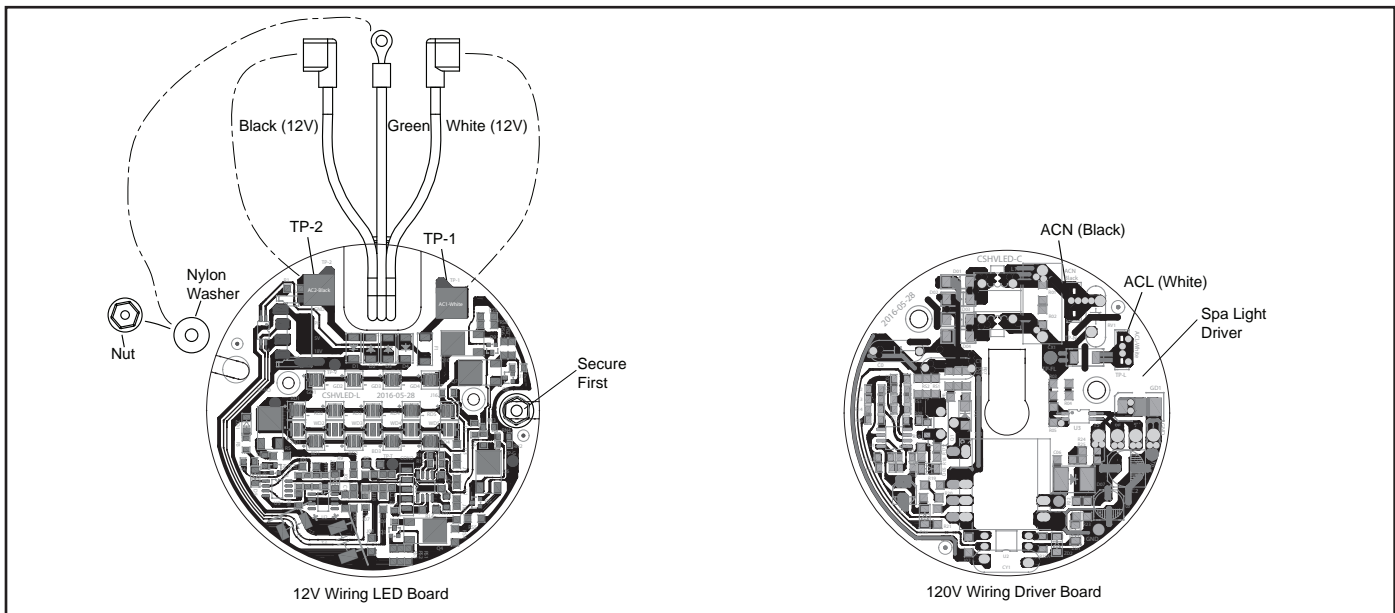


Illustration 7. Remplacement et câblage du moteur de la petite lampe (carte de circuits imprimés)

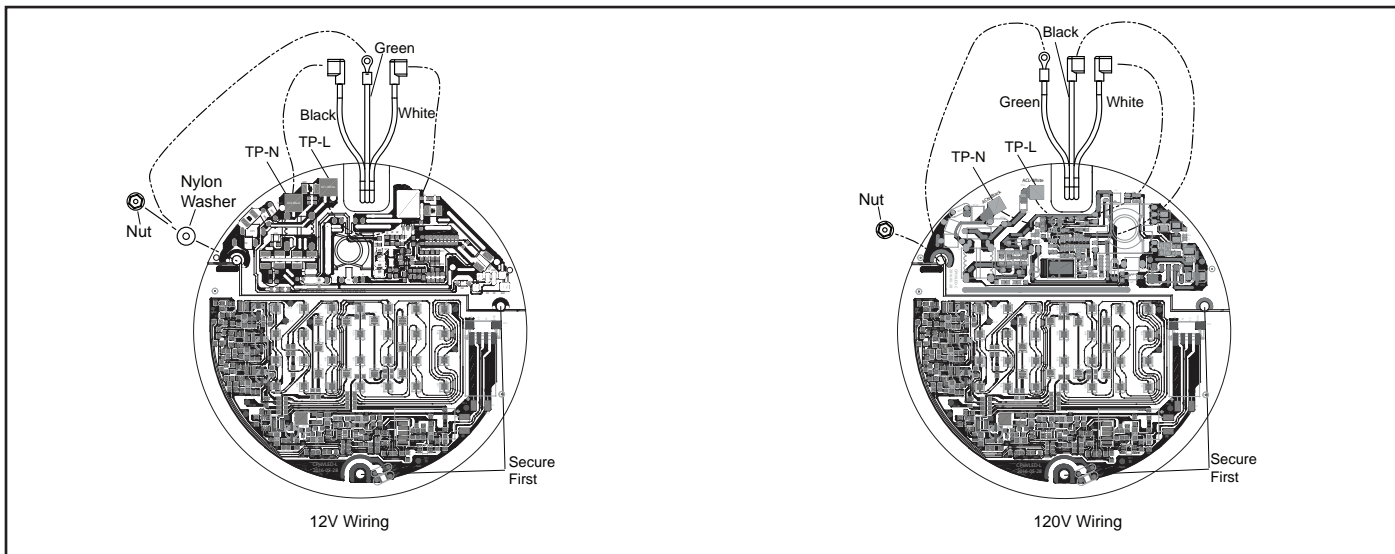
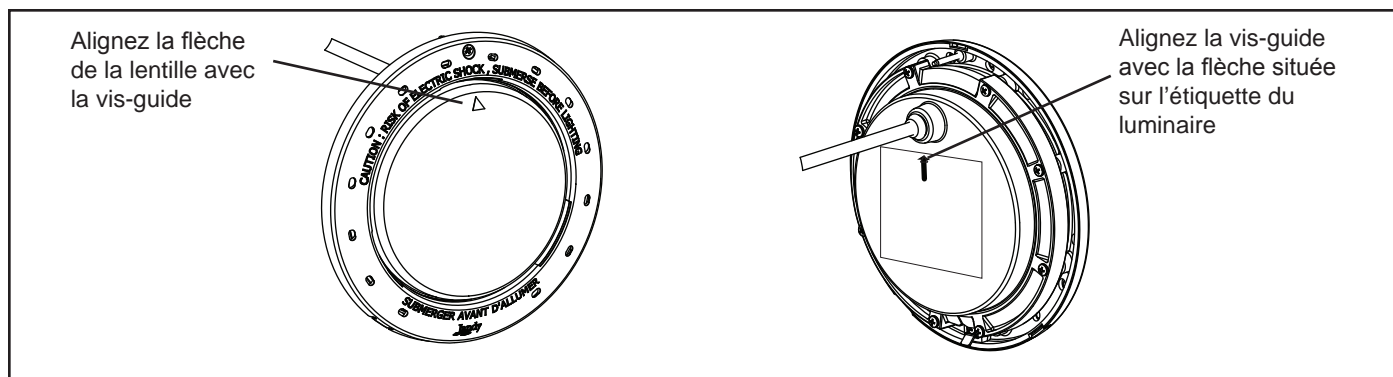


Illustration 8. Remplacement et câblage du moteur de la grande lampe (carte de circuits imprimés)





**Illustration 9. Alignement de la lentille, de l'anneau frontal, du boîtier et des crochets-supports des luminaires WaterColors**

indiquant « La flèche de cette étiquette doit être alignée avec la vis-guide de l'anneau frontal ». Voir l'Illustration 9.

4. Tout en tenant l'anneau frontal et la lampe alignés l'un par rapport à l'autre, renversez la lampe et posez-la sur l'ancien joint en utilisant ce dernier pour maintenir la lampe. Cela empêchera la lentille et le joint de sortir de l'anneau frontal pendant que vous les fixez dans le luminaire.
5. Répartissez le crochet-support du bas sur le câble électrique et faites-le glisser à l'arrière du luminaire sur le crochet-support du haut.
6. Serrez les vis cruciformes de la lampe (huit [8] pour la grande lampe et six [6] pour la petite lampe) en alternant le serrage sur les vis qui se font face. Serrez les vis à environ 25 lb/po.
7. Jetez l'ancien joint.

### 7.7 Réinstallation du luminaire Pro Series de Jandy dans la niche.

1. Enroulez les 1,22 m (4 pi) de câble autour du luminaire ou dans la base de la niche, puis placez le luminaire dans la niche.
2. Engagez la languette de retenue qui se trouve en bas de l'anneau frontal, faites pivoter le haut de la lampe vers l'intérieur et serrez la vis-guide.

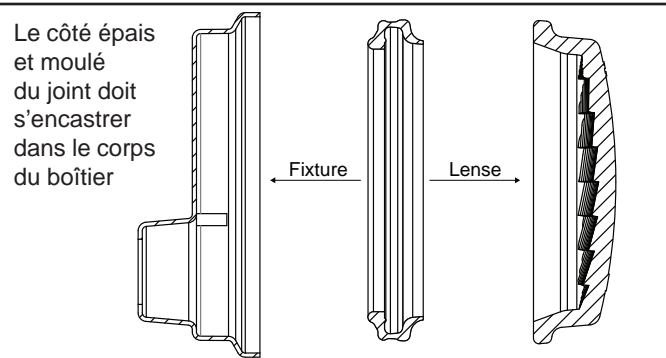
## ⚠ AVERTISSEMENT

Utilisez uniquement la vis-guide fournie avec cette lampe immergée. Cette vis maintient solidement et relie à la terre électriquement le boîtier à la bague de montage et à la niche immergée. Ne pas utiliser cette vis peut créer un danger électrique pouvant causer la mort par décharge électrique ou des blessures graves aux utilisateurs ou à l'installateur de la piscine ou du spa, ou à des tiers.

3. Si la piscine est vide, remplissez-la jusqu'à ce que la lampe immergée soit complètement submergée avant de faire fonctionner la lampe pendant plus de deux (2) minutes. La lampe chauffe rapidement lorsqu'elle est utilisée hors de l'eau. Allumez l'interrupteur ou le disjoncteur principal et l'interrupteur qui commande la lampe immergée pour vérifier qu'elle fonctionne bien.

## ⚠ AVERTISSEMENT

Ne faites jamais fonctionner cette lampe immergée durant plus de 10 secondes si elle n'est pas totalement submergée. Si elle n'est pas totalement sous l'eau, la lampe deviendra extrêmement chaude, ce qui risquerait de vous brûler sévèrement ou d'endommager la lampe. Cela pourrait blesser grièvement les utilisateurs ou les installateurs de la piscine ou du spa, ou toute autre personne à proximité, et pourrait causer des dommages matériels.



**Illustration 10. Vue en coupe de la lampe à DEL WaterColors Pro Series de Jandy**

## Section 8. Installation 12 volts

Un transformateur de 12 V CA distinct est nécessaire pour tous les modèles de 12 volts. Dans le cas des lampes à DEL RGBW WaterColors Pro Series de Jandy, utilisez un système de 12 volts multiprises de 150 watts pour chaque lampe.

## ⚠ AVERTISSEMENT

Pour réduire le risque de décharge électrique ou d'électrocution, ce qui pourrait entraîner des blessures ou la mort, relativement au raccordement de l'alimentation de lampes basse tension, utilisez uniquement un bloc d'alimentation basse tension isolant, évalué et homologué par un laboratoire de test reconnu à l'échelle nationale (NRTL) pour un usage dans une piscine.

**REMARQUE** Pour une performance optimale, Pro Series de Jandy recommande l'utilisation d'un transformateur pour chaque lampe de 12 volts.

Pour une sécurité maximale, il est vivement conseillé d'utiliser un transformateur classé ou reconnu par le laboratoire officiel américain (Nationally Recognized Testing Laboratory, ou NRTL) pour l'installation.

## Section 9. Vue éclatée et pièces de rechange

### 9.1 Grande lampe à DEL RGBW WaterColors Pro Series de Jandy

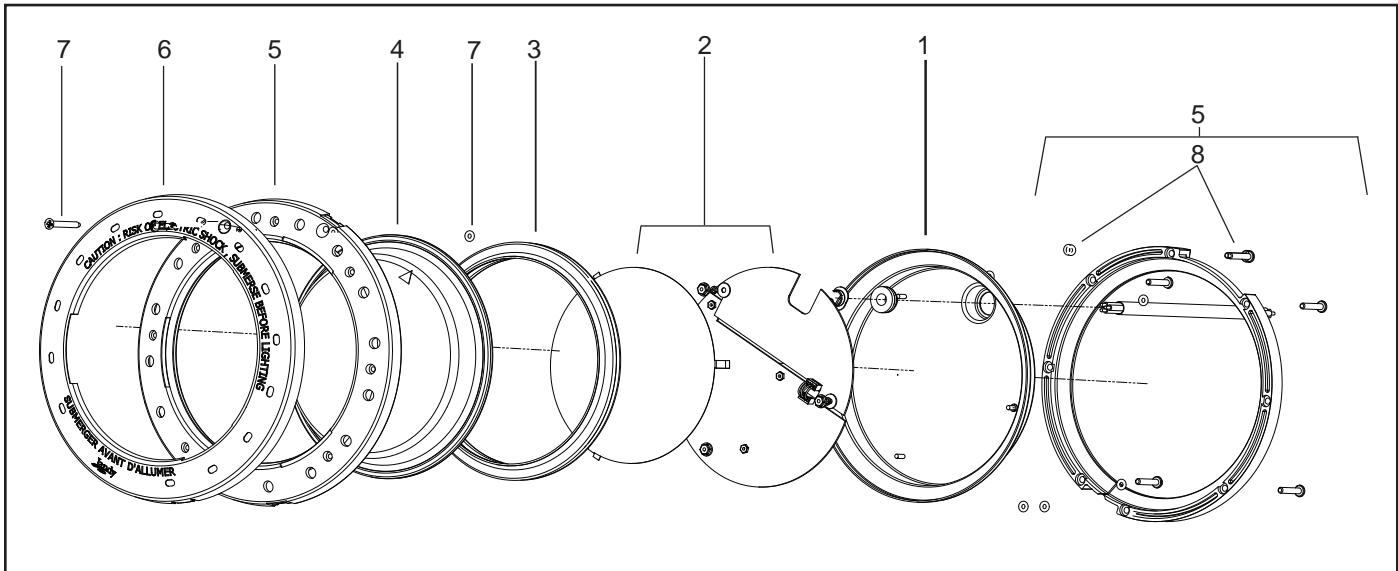


Illustration 11. Vue éclatée de la grande lampe à DEL RGBW WaterColors Pro Series de Jandy

N° DWG	No de pièce	Description	Remplaçable par le client
1	S.O.	Boîtier de la lampe à DEL RGBW WaterColors	<i>NON – Achetez une nouvelle lampe</i>
2	R0739500	Carte de circuits imprimés du moteur de la lampe, Grande lampe DEL de 12 V avec dispositif de changement de forme de lumière	<b>OUI</b>
2	R0739400	Carte de circuits imprimés du moteur de la lampe, Grande lampe DEL de 120 V avec dispositif de changement de forme de lumière	<b>OUI</b>
3	R0790500	Joint en silicone	<b>OUI</b>
4	R0790600	Lentille	<b>OUI</b>
5	R0790700	Crochet-support	<b>OUI</b>
6	R0790801	Anneau frontal en acier inoxydable	<b>OUI</b>
6	R0790802	Anneau frontal en plastique blanc	<b>OUI</b>
6	R0790803	Anneau frontal en plastique noir	<b>OUI</b>
6	R0790804	Anneau frontal en plastique gris	<b>OUI</b>
6	R0790805	Anneau frontal, Ensemble plastique	<b>OUI</b>
7	R0790900	Vis-guide avec dispositif de retenue	<b>OUI</b>
8	R0791000	Vis du crochet-support (8 vis et 8 dispositifs de retenue)	<b>OUI</b>

## 9.2 Petite lampe à DEL RGBW WaterColors Pro Series de Jandy

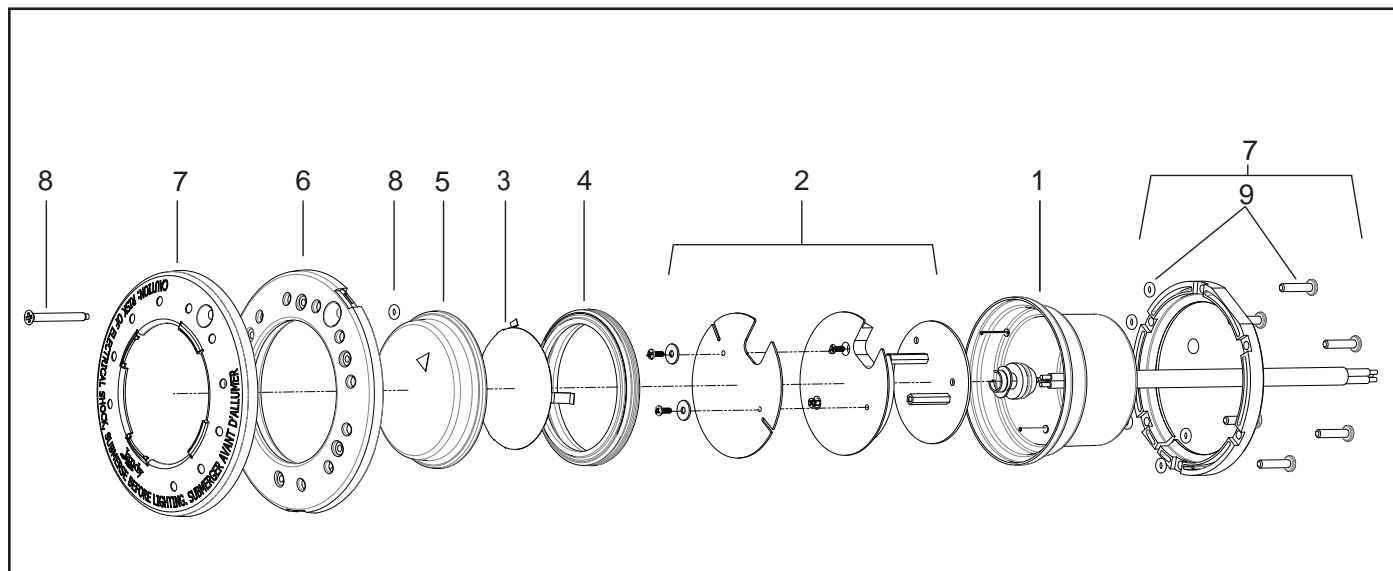


Illustration 12. Vue éclatée de la petite lampe à DEL RGBW WaterColors Pro Series de Jandy

N° DWG	No de pièce	Description	Remplaçable par le client
1	S.O.	Boîtier de la lampe à DEL RGBW WaterColors	NON – Achetez une nouvelle lampe
2	R0739600	Moteur de la lampe, petite lampe DEL	OUI
3	R0739700	Dispositif de changement de forme de lumière, petite lampe DEL	OUI
4	R0791100	Joint en silicone	OUI
5	R0791200	Lentille	OUI
6	R0791300	Crochet-support	OUI
7	R0791401	Anneau frontal en acier inoxydable	OUI
7	R0791402	Anneau frontal en plastique blanc	OUI
7	R0791403	Anneau frontal en plastique noir	OUI
7	R0791404	Anneau frontal en plastique gris	OUI
7	R0791405	Anneau frontal, Ensemble plastique	OUI
8	R0790900	Vis-guide avec dispositif de retenue	OUI
9	R0791600	Vis du crochet-support (6 vis et 6 dispositifs de retenue)	OUI

Zodiac Pool Systems, Inc.  
2620, Commerce Way, Vista, CA 92081  
+1-800-822-7933 | [www.ZodiacPoolSystems.com](http://www.ZodiacPoolSystems.com)

Zodiac Pool Systems Canada, Inc.  
2115, South Service Road West, Unité 3, Oakville ON L6L 5W2  
+1-888-647-4004 | [www.ZodiacPoolSystems.ca](http://www.ZodiacPoolSystems.ca)

ZODIAC® est une marque déposée de Zodiac International, S.A.S.U., utilisée sous licence.  
Toutes les marques de commerce mentionnées dans le présent document sont la propriété de leurs propriétaires respectifs.

© 2017 Zodiac Pool Systems, Inc. H0596700 Rév. B





# MANUAL DE INSTALACIÓN Y OPERACIÓN

ENGLISH | FRANÇAIS | ESPAÑOL



## Luz LED RGBW

# Jandy Pro Series WaterColor

### subacuática grande y pequeña

### ADVERTENCIA

**PARA SU SEGURIDAD** - Este producto debe ser instalado y mantenido por un contratista con la licencia y la capacitación necesarias para trabajar con equipos para piscinas, otorgadas por la jurisdicción donde se instalará el producto, en caso de que existan tales requisitos estatales o locales. La persona que realice la instalación o el mantenimiento debe ser un profesional con experiencia suficiente en la instalación y el mantenimiento de equipos para piscinas de tal manera que pueda seguir al pie de la letra todas las instrucciones de este manual. Antes de instalar este producto, lea y siga todas las instrucciones y preste atención a las advertencias en el manual adjunto. No prestar la debida atención a las advertencias y las instrucciones puede ocasionar daños a la propiedad, lesiones personales e incluso la muerte. La instalación o la operación incorrectas darán lugar a la anulación de la garantía.

La instalación y la operación incorrectas pueden crear un riesgo eléctrico imprevisto capaz de ocasionar graves lesiones, daños a la propiedad e incluso la muerte.



**ATENCIÓN INSTALADOR** - Este manual contiene información importante acerca de la instalación, la operación y la utilización seguras de este producto. Esta información debe ser entregada al dueño u operador de este equipo.

## Tabla de contenido

<b>Sección 1. Información de seguridad.....</b>	<b>3</b>	<b>Sección 6. Instrucciones de operación de las luces LED RGBW Jandy Pro Series WaterColors.....</b>	<b>8</b>
<b>Sección 2. Descripción de productos y número de modelos .....</b>	<b>4</b>	6.1 Para operar la luz y cambiar colores.....	8
<b>Sección 3. Instalación de la luz Jandy Pro Series en una obra de construcción .....</b>	<b>5</b>	6.2 Para volver al comienzo de la secuencia de color .....	10
3.1 Preparación de la luz para su instalación.....	5	<b>Sección 7. Reemplazo de tablero LED y controlador (PCB).....</b>	<b>10</b>
3.2 Instalación de la luz .....	6	7.1 Extracción de la abrazadera de la piscina.....	10
<b>Sección 4. Reemplazo de la luz Jandy Pro Series en una piscina o spa existente .....</b>	<b>6</b>	7.2 Reemplazo del controlador de luz pequeña de 12V (PCB) .....	10
4.1 Preparación de la luz para su reemplazo.....	6	7.3 Reemplazo del tablero LED pequeño de 120V .....	11
4.2 Reemplazo de la luz .....	7	7.4 Reemplazo del controlador de luz pequeña de 120V (PCB) .....	11
<b>Sección 5. Opciones de cableado para controlar las luces LED RGBW Jandy Pro Series WaterColors .....</b>	<b>8</b>	7.5 Reemplazo del controlador de luz grande (PCB) (120V y 12V) .....	11
5.1 Cableado para un sistema de control RS AquaLink® RS.....	8	7.6 Volver a ensamblar la luz .....	11
5.2 Cableado para un cronómetro.....	8	7.7 Reinstalación de la luz Jandy Pro Series en el conjunto del nicho.....	13
5.3 Cableado para un interruptor .....	8	<b>Sección 8. Instalación del modelo de doce (12) voltios .....</b>	<b>13</b>
		<b>Sección 9. Plano de despiece y piezas de repuesto .....</b>	<b>14</b>
		9.1 Luz LED RGBW Jandy Pro Series WaterColors grande .....	14
		9.2 Luz LED RGBW Jandy Pro Series WaterColors pequeña .....	15



## Sección 1. Información de seguridad

### INSTRUCCIONES IMPORTANTES DE SEGURIDAD REFERENTES AL RIESGO DE INCENDIO, DESCARGA ELÉCTRICA O LESIONES A PERSONAS

#### LEA Y SIGA ESTAS INSTRUCCIONES

Cuando se instale y utilice este equipo eléctrico, siempre se deberán seguir las siguientes precauciones básicas de seguridad:

#### **ADVERTENCIA**

**RIESGO DE DESCARGAS ELÉCTRICAS O ELECTROCUCIÓN** La instalación de esta luz subacuática deberá ser realizada por un electricista certificado, de acuerdo al Código Eléctrico Nacional y las demás normas y ordenanzas locales correspondientes. La instalación incorrecta significará un riesgo eléctrico que puede provocar descargas eléctricas y dañar la propiedad o causar la muerte o lesiones graves a los usuarios de la piscina o el spa, los instaladores u otras personas. Lea y siga las instrucciones específicas a continuación.

#### **ADVERTENCIA**

Antes de instalar esta luz subacuática, lea, siga las instrucciones y preste atención a las advertencias que vienen con el producto. No seguir las instrucciones ni prestar la debida atención a las advertencias puede ocasionar daños a la propiedad, lesiones graves y hasta la muerte. Llame al (707) 776-8200 para obtener copias adicionales y gratuitas de las instrucciones.

#### **PRECAUCIÓN**

Excepto cuando las luces LED RGBW Jandy Pro Series WaterColors se instalen en un área de la piscina que no se use para nadar y los lentes se protejan de manera adecuada para evitar que una persona haga contacto con ellos, la luz se deberá instalar en la pared de la piscina o sobre la misma, con la parte superior de la abertura del lente a un mínimo de 18 pulgadas (457 mm) por debajo del nivel de agua normal de la piscina



#### **ATENCIÓN INSTALADOR**

Este manual contiene información importante acerca de la instalación, la operación y el uso seguro de este producto. Esta información debe ser entregada al dueño u operador de este equipo.

#### **AVISO**

Las luces LED RGBW Jandy Pro Series WaterColors están diseñadas para instalarse en piscinas de agua fresca y de agua salada. Es importante asegurarse de que los nichos donde instalará las luces sean los adecuados para la aplicación, ya sea en agua dulce o salada.

**GUARDE ESTAS INSTRUCCIONES**

## Sección 2. Descripción de productos y número de modelos

Número de modelo	Tamaño de la luz WaterColors	Voltaje	Amperes	Longitud del cable	Material del aro frontal
CPLVRGBWS30	Grande	12 voltios CA	4,0	30 pies	Acero inoxidable
CPLVRGBWS50	Grande	12 voltios CA	4,0	50 pies	Acero inoxidable
CPLVRGBWS100	Grande	12 voltios CA	4,0	100 pies	Acero inoxidable
CPLVRGBWP100	Grande	12 voltios CA	4,0	100 pies	Plástico
CPLVRGBWS50C	Grande	12 voltios CA	4,0	50 pies	Acero inoxidable
CPLVRGBWS100C	Grande	12 voltios CA	4,0	100 pies	Acero inoxidable
CPLVRGBWP100C	Grande	12 voltios CA	4,0	100 pies	Plástico
CPHVRGBWS30	Grande	12 voltios CA	0,4	30 pies	Acero inoxidable
CPHVRGBWS50	Grande	12 voltios CA	0,4	50 pies	Acero inoxidable
CPHVRGBWS100	Grande	12 voltios CA	0,4	100 pies	Acero inoxidable
CPHVRGBWP100	Grande	12 voltios CA	0,4	100 pies	Plástico
CPHVRGBWS150	Grande	12 voltios CA	0,4	150 pies	Acero inoxidable
CPHVRGBWS250	Grande	12 voltios CA	0,4	250 pies	Acero inoxidable
CPHVRGBWS50C	Grande	12 voltios CA	0,4	50 pies	Acero inoxidable
CPHVRGBWS100C	Grande	12 voltios CA	0,4	100 pies	Acero inoxidable
CPHVRGBWP100C	Grande	12 voltios CA	0,4	100 pies	Plástico
CSLVRGBWS30	Pequeña	12 voltios CA	2,0	30 pies	Acero inoxidable
CSLVRGBWS50	Pequeña	12 voltios CA	2,0	50 pies	Acero inoxidable
CSLVRGBWS100	Pequeña	12 voltios CA	2,0	100 pies	Acero inoxidable
CSLVRGBWP100	Pequeña	12 voltios CA	2,0	100 pies	Plástico
CSLVRGBWS50C	Pequeña	12 voltios CA	2,0	50 pies	Acero inoxidable
CSLVRGBWS100C	Pequeña	12 voltios CA	2,0	100 pies	Acero inoxidable
CSLVRGBWP100C	Pequeña	12 voltios CA	2,0	100 pies	Plástico
CSHVRGBWS30	Pequeña	12 voltios CA	0,2	30 pies	Acero inoxidable
CSHVRGBWS50	Pequeña	12 voltios CA	0,2	50 pies	Acero inoxidable
CSHVRGBWS100	Pequeña	12 voltios CA	0,2	100 pies	Acero inoxidable
CSHVRGBWP100	Pequeña	12 voltios CA	0,2	100 pies	Plástico
CSHVRGBWS150	Pequeña	12 voltios CA	0,2	150 pies	Acero inoxidable
CSHVRGBWS250	Pequeña	12 voltios CA	0,2	250 pies	Acero inoxidable
CSHVRGBWS50C	Pequeña	12 voltios CA	0,2	50 pies	Acero inoxidable
CSHVRGBWS100C	Pequeña	12 voltios CA	0,2	100 pies	Acero inoxidable
CSHVRGBWP100C	Pequeña	12 voltios CA	0,2	100 pies	Plástico



### 3.2 Instalación de la luz

**NOTA** realice estos pasos solamente después de que se cumplan los requisitos del sistema eléctrico.

1. Haga pasar el cable a través del conducto hacia la caja terminal, y deje al menos cuatro (4) pies de cable en la luz para enrollarlo en la base del nicho de la luz, consulte la Figura 1. Los cuatro (4) pies de cable facilitan el mantenimiento una vez que la piscina esté llena.
2. Corte el cable en la caja terminal, deje al menos seis (6) pulgadas para realizar las conexiones.
3. Pele seis (6) pulgadas de la camisa del cable para dejar al descubierto los tres cables aislados. *Tenga cuidado de no dañar el aislamiento de los tres (3) cables internos.*
4. Instale el aliviador de tensión en la camisa del cable y conecte los tres (3) cables a los circuitos correspondientes en la caja terminal. Instale la cubierta de la caja terminal.
5. Enrolle los 4 pies de largo del cable alrededor de la luz o en la base del nicho de la piscina y coloque el conjunto de la luz en el nicho.
6. Enganche la brida de retención a la parte inferior del aro frontal, luego gire la parte superior de la luz hacia dentro y apriete el tornillo piloto especial.

#### ADVERTENCIA

Utilice los tornillos piloto especiales que vienen con esta luz subacuática. Este tornillo monta y establece una conexión a tierra segura entre el compartimento y el anillo de montaje y el nicho. Toda falla que surgiera durante la utilización del tornillo, podría generar una descarga eléctrica y provocar lesiones graves o la muerte de los usuarios de la piscina o el spa o las personas encargadas de la instalación.

7. Llene la piscina hasta que la luz subacuática quede totalmente sumergida en el agua antes de poner a funcionar la luz durante más de 2 minutos. La luz se calentará rápidamente si se opera fuera del agua. Encienda el interruptor principal o el disyuntor y el interruptor que activa la luz subacuática para verificar que funcionen correctamente. Véase la Sección 6, Instrucciones de operación.

#### ADVERTENCIA

Nunca opere esta luz subacuática por más de 10 segundos a menos que esté completamente sumergida en el agua. De lo contrario, el conjunto de la luz se calentará demasiado, lo que podría provocar quemaduras graves o la rotura de la bombilla o el lente. Esto puede dañar la propiedad o resultar en lesiones graves a los usuarios de la piscina o el spa, las personas encargadas de la instalación o las personas que se encuentran alrededor.

## Sección 4. Reemplazo de la luz Jandy Pro Series en una piscina o spa existente

### ADVERTENCIA

#### **RIESGO DE DESCARGAS ELÉCTRICAS O ELECTROCUCIÓN**

Esta luz subacuática deberá ser instalada por un electricista certificado o con licencia, o por una persona encargada del mantenimiento de la piscina, de acuerdo al Código Eléctrico Nacional y todas las demás normas y ordenanzas locales correspondientes. La instalación incorrecta significará un riesgo eléctrico que puede provocar descargas eléctricas y dañar la propiedad o causar la muerte o lesiones graves a los usuarios de la piscina o el spa, los instaladores u otras personas.

Antes de instalar o realizar el mantenimiento de la luz, desconecte siempre la alimentación de la luz de color con el disyuntor de la piscina. De lo contrario, se podrían generar descargas eléctricas y causar graves lesiones o incluso la muerte a la persona encargada del mantenimiento y a los usuarios de la piscina o el spa.

### 4.1 Preparación de la luz para su reemplazo

Compruebe que la piscina cumpla con los requisitos del Código Eléctrico Nacional® (NEC) y demás normas y ordenanzas. Un electricista certificado o con licencia debe instalar el sistema eléctrico de modo que cumpla o sobrepase los requisitos pertinentes antes de la instalación de la luz subacuática. Algunos de los requisitos del Código Eléctrico Nacional que debe cumplir el sistema eléctrico de la piscina son los siguientes:

1. El circuito de la luz debe tener un interruptor del circuito de fallos de conexión a tierra (GFCI) para los modelos de 120 voltios, y debe tener un disyuntor de clasificación apropiada.
2. La caja terminal (o un transformador de voltaje bajo para los modelos de 12 voltios) debe ubicarse al menos a ocho (8) pulgadas por encima del nivel del agua, al menos a cuatro (4) pulgadas por encima del nivel del suelo o del perímetro exterior de la piscina, y al menos a 48 pulgadas del borde de la piscina o el spa. Véase la Figura 1.
3. La luz y todos los elementos metálicos que estén a menos de cinco (5) pies de la piscina deben estar correctamente interconectados y tener una conexión a tierra fiable.
4. El nicho debe estar instalado correctamente, de manera que la parte superior del lente de la luz subacuática se encuentre a un mínimo de 18 pulgadas por debajo de la superficie de agua en la piscina. Véase la Figura 1.

5. El nicho debe tener sus partes metálicas correctamente interconectadas y una conexión a tierra a través de un conector a tierra AWG N° 8 ubicado en la parte trasera del nicho. Véase la Figura 1.

Para asegurarse de que el sistema eléctrico de la piscina cumpla con todos los requisitos correspondientes, el electricista debe consultar además con el departamento de construcción de su localidad.

## 4.2 Reemplazo de la luz

**NOTA** realice estos pasos solo después de que se cumplan los requisitos del sistema eléctrico.

### ADVERTENCIA

Si el sistema eléctrico de la piscina no se actualiza y no cumple los requisitos del código pertinente antes de instalar la luz subacuática, se producirán descargas eléctricas que pueden dañar la propiedad o causar la muerte o lesiones graves a los usuarios de la piscina o el spa, los instaladores u otras personas.

**NOTA** Se puede reemplazar la luz sin necesidad de vaciar el agua de la piscina.

1. Apague el interruptor eléctrico principal o el disyuntor, además del interruptor que hace operar la luz subacuática.
2. Desatornille el tornillo piloto especial en la parte superior del aro frontal y retire del nicho el conjunto de la luz, y colóquelo sobre del perímetro exterior de la piscina.

### ADVERTENCIA

Asegúrese de conservar el tornillo piloto especial que se incluye con esta luz subacuática. Este tornillo monta y establece una conexión a tierra segura entre el compartimento y el anillo de montaje y el nicho. Toda falla que surgiera durante la utilización del tornillo podría generar una descarga eléctrica y provocar lesiones graves o la muerte de los usuarios de la piscina o el spa o las personas encargadas de la instalación.

3. Retire la cubierta de la caja terminal, desconecte los cables de la luz y el aliviador de tensión, y jale el cable hacia afuera del conducto del nicho.
4. Pase el cable de la luz nueva desde el nicho hasta la caja terminal, a través del conducto.

**NOTA** Dependiendo de la longitud del conducto, pueden requerirse herramientas especiales para jalar el cable por el conducto.

5. Deje al menos cuatro (4) pies de cable para enrollarlo alrededor de la luz o en la base del nicho de la luz, consulte la Figura 1. Esto permite que la luz reciba mantenimiento luego de que la piscina esté llena.

6. Corte el cable en la caja terminal, deje al menos seis (6) pulgadas para realizar las conexiones.
7. Pele seis (6) pulgadas de la camisa del cable para dejar al descubierto los tres cables aislados. *Tenga cuidado de no dañar el aislamiento de los tres (3) cables internos.*
8. Instale el aliviador de tensión en la camisa del cable y conecte los tres (3) cables a los circuitos correspondientes en la caja terminal. Instale la cubierta de la caja terminal.
9. Vuelva a instalar el conjunto de la luz en el nicho y ajuste el tornillo piloto especial.

### ADVERTENCIA

Utilice los tornillos piloto especiales que vienen con esta luz subacuática. Este tornillo monta y establece una conexión a tierra segura entre el compartimento y el anillo de montaje y el nicho. Toda falla que surgiera durante la utilización del tornillo podría generar una descarga eléctrica y provocar lesiones graves o la muerte de los usuarios de la piscina o el spa o las personas encargadas de la instalación.

10. Llene la piscina o el spa hasta que la luz subacuática quede totalmente sumergida en el agua antes de poner a funcionar la luz durante más de 10 segundos. Encienda el interruptor principal o el disyuntor y el interruptor que hace operar la luz subacuática para verificar que funcione correctamente. Véase la Sección 6, Instrucciones de operación.

### ADVERTENCIA

Nunca opere esta luz subacuática por más de 10 segundos a menos que esté completamente sumergida en el agua. De lo contrario, el conjunto de la luz se calentará demasiado, lo que podría provocar quemaduras graves o la rotura de la bombilla o el lente. Esto puede dañar la propiedad o resultar en lesiones graves a los usuarios de la piscina o el spa, las personas encargadas de la instalación o las personas que permanecieran cerca.



## Sección 5. Opciones de cableado para controlar las luces LED Jandy Pro Series WaterColors

**NOTA** Las luces LED RGBW Jandy Pro Series WaterColors no funcionarán correctamente con reguladores de iluminación. *No conecte las luces Jandy Pro Series a un circuito de difusión*

En la medida permitida por el código y según la capacidad del equipo eléctrico, pueden controlarse varias luces Jandy Pro Series con un solo interruptor, de modo que sus colores siempre estén sincronizados.

Pueden usarse interruptores separados para controlar el encendido/apagado y las funciones de colores de cada luz Jandy Pro Series. Se recomienda que estos interruptores se ubiquen uno al lado de otro para facilitar la sincronización simple de colores cuando se desee. Todos los interruptores deben operarse al mismo tiempo para asegurar la sincronización de los colores. De lo contrario, las luces funcionarán independientemente unas de otras.

### 5.1 Cableado para un sistema de control AquaLink® RS

Las luces LED RGBW Jandy Pro Series pueden conectarse al sistema de control AquaLink® RS de Jandy Pro Series para proporcionar una operación simplificada de las luces, así como de los medios para sincronizar la función de cambio de color. Conecte las luces a uno de los relés auxiliares del centro de alimentación eléctrica.

**NOTA** se recomienda conectar una luz por cada relé, para permitir su control por separado. Sin embargo, se pueden conectar hasta cuatro luces en un solo relé. Si existen más de cuatro luces instaladas en un sistema AquaLink RS, asegúrese de que haya más de un relé auxiliar en el centro de alimentación eléctrica.

Consulte las Figuras 2 y 3 para conectar las luces de colores Jandy Pro Series al centro de alimentación eléctrica.

### ADVERTENCIA

**RIESGO DE DESCARGA ELÉCTRICA O ELECTROCUCIÓN, que podría resultar en lesiones serias o la muerte.** Se debe instalar un interruptor del circuito de fallos de conexión a tierra (GFCI) para los modelos de 120 voltios. Se recomienda usar interruptor de circuito con protección de falla a tierra (GFCI) para transformadores de 120 voltios si lo requiere el fabricante del transformador, o el código local aplicable y/o la autoridad con jurisdicción (AHJ). Cuando se use un GFCI, los conductores del lado de carga del circuito del GFCI no deberán ocupar conducto, carcasas u otras cubiertas que contengan otros conductores, a menos que los conductores adicionales también estén protegidos por un GFCI. Para más detalle consulte los códigos eléctricos regionales.

**NOTA** Las luces Jandy Pro Series WaterColors están disponibles en versiones de 120 voltios y 12 voltios. Si va a instalar una luz de 12 voltios, debe usar un transformador (CA) reductor de 120 voltios/12 voltios con la certificación NRTL. Para más información sobre instalaciones de 12 voltios, véase la Sección 8 de este manual.

### 5.2 Cableado para un cronómetro

Las luces LED RGBW Jandy Pro Series WaterColors pueden conectarse a un cronómetro básico para encenderlas automáticamente en un tiempo designado. Consulte la Figura 4 para conectar las luces al cronómetro.

### 5.3 Cableado para un interruptor

Las luces LED RGBW Jandy Pro Series WaterColors pueden conectarse a un interruptor para encender/apagar manualmente las luces. Consulte la Figura 5 para conectar las luces al interruptor.

## Sección 6. Instrucciones de operación de las luces LED RGBW Jandy Pro Series WaterColors

### 6.1 Para operar la luz y cambiar colores

ENCIENDA la luz. La primera vez que enciende la luz, la secuencia de color comienza con el blanco alpino. Para cambiar el color, APAGUE la luz y luego ENCIÉNDALA dentro de tres (3) segundos. Continúe APAGANDO y ENCENDIENDO hasta que se alcance la modalidad de color de luz deseada. Vea la Tabla 1 para consultar la secuencia del modo de colores.

**Tabla 1. Secuencia de luces Jandy Pro Series WaterColors**

Orden de la secuencia	Modos de color
1	Blanco alpino
2	Azul cielo
3	Azul cobalto
4	Azul caribe
5	Verde primavera
6	Verde esmeralda
7	Rosa esmeralda
8	Magenta
9	Violeta
10	Collage lento de colores
11	Collage rápido de colores
12	América la Bella
13	Mardi Gras
14	Tecnodisco

**NOTA** Cuando la luz esté APAGADA por más de siete (7) segundos, se mantendrá en el conjunto de colores que esté actualmente activo. Cuando la luz se vuelve a ENCENDER, la luz se encenderá en el mismo conjunto de colores.



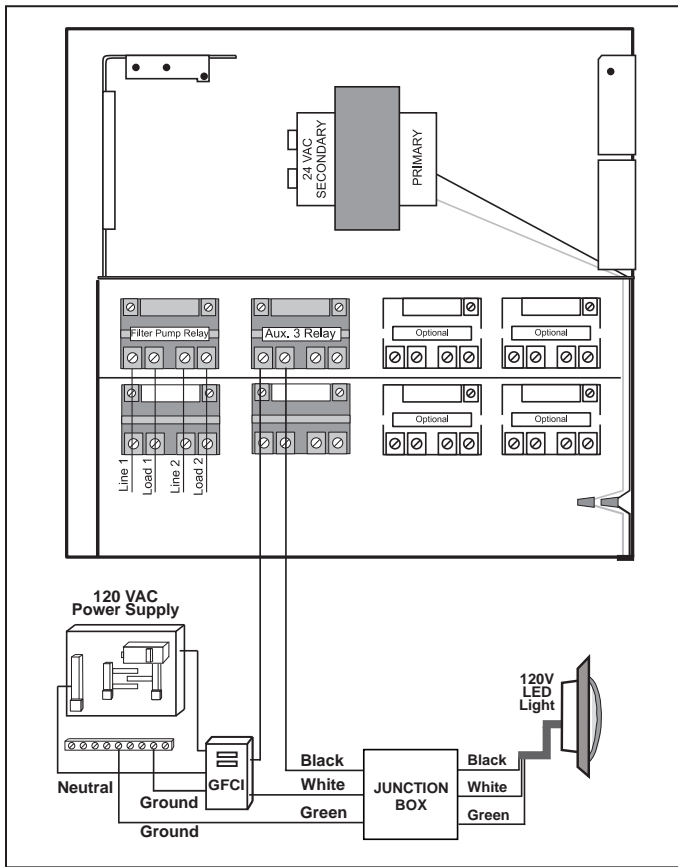


Figura 2. Diagrama de cables de luces LED RGBW Jandy Pro Series WaterColors de 120 voltios

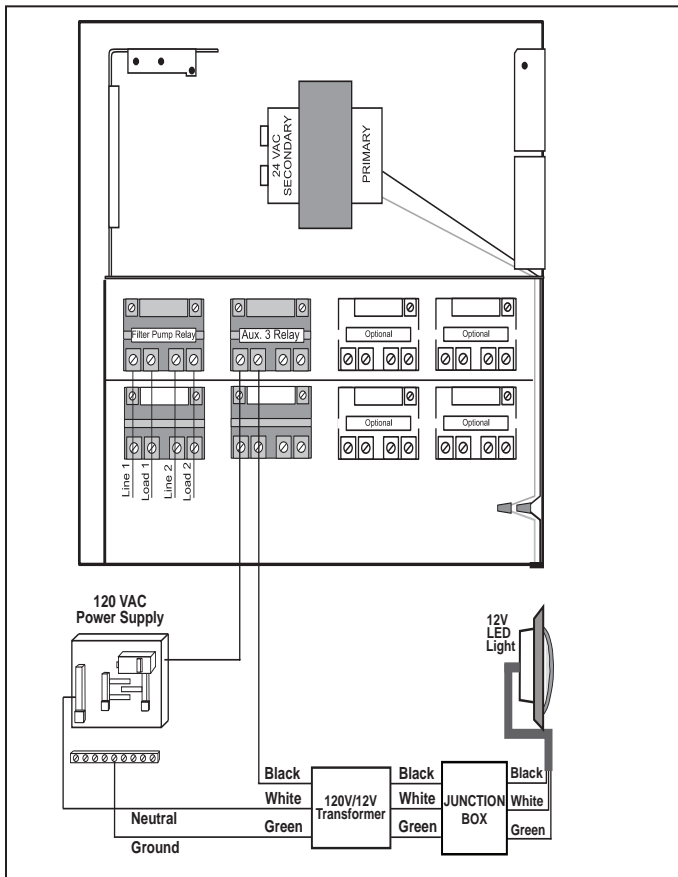


Figura 3. Diagrama de cables de luces LED RGBW Jandy Pro Series WaterColors

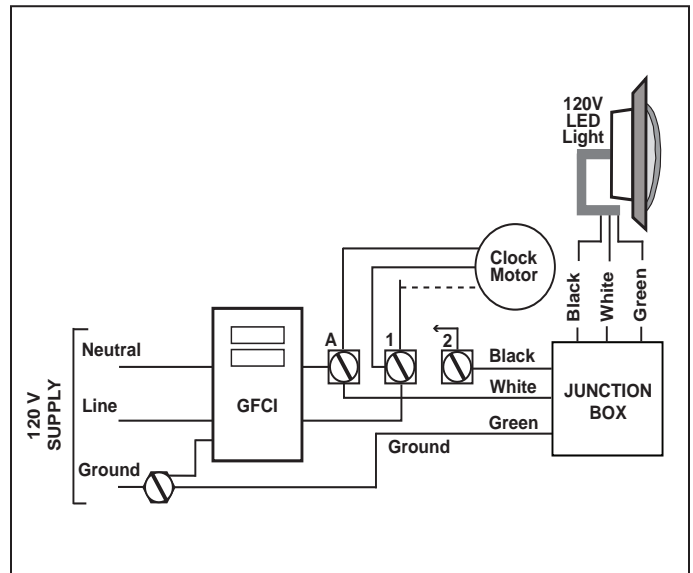


Figura 4. Cableado de la luz LED RGBW Jandy Pro Series WaterColors a un reloj registrador

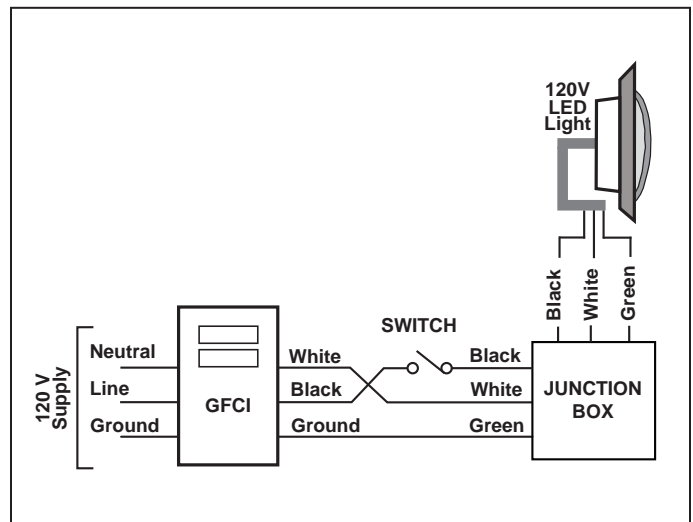


Figura 5. Cableado de la luz LED RGBW Jandy Pro Series WaterColors a un interruptor

## 6.2 Para volver al comienzo de la secuencia de color

APAGUE la luz, espere de cuatro (4) a cinco (5) segundos, luego ENCIENDA. La luz volverá al comienzo del ciclo de colores (blanco alpino).

**NOTA** Si utiliza un sistema de control AquaLink® RS, puede seleccionar el conjunto de colores usando el controlador interior.

**NOTA** Para sincronizar colores en múltiples sistemas de luz LED RGBW Jandy Pro Series WaterColors a interruptores separados, realice las acciones anteriores en todos sus interruptores simultáneamente. Todas las luces LED RGBW Jandy Pro Series WaterColors se sincronizarán automáticamente si se activan por el mismo interruptor. No se requieren otros accesorios.

## Sección 7. Reemplazo de tablero LED y controlador (PCB)

### ⚠ ADVERTENCIA

Antes de realizar el mantenimiento de la luz, desconecte siempre la fuente de alimentación de la luz de color en el disyuntor. De lo contrario, podría generar descargas eléctricas y provocar la muerte o lesiones graves a la persona encargada de la instalación o mantenimiento, los usuarios de la piscina o el spa.

1. Apague el interruptor eléctrico principal o el disyuntor, además del interruptor que hace operar la luz subacuática.
2. Asegúrese de contar con los siguientes artículos:
  - Una nueva junta de lente.
  - Un tablero controlador de luces. Consulte la Tabla 2 para la especificación.

### ⚠ ADVERTENCIA

Reemplace el controlador de luz con uno del mismo tipo. Si no reemplaza el controlador de luz con uno del mismo tipo, se dañará el conjunto de luz y se puede provocar un riesgo eléctrico que resulte en la muerte o lesiones graves en los usuarios de la piscina o spa, las personas encargadas de la instalación u otras personas, y también puede causar daños materiales. Asegúrese de DESCONECTAR la alimentación eléctrica antes de retirar o instalar el PCB. Deje que el PCB se enfríe antes de reemplazarlo.

3. Para retirar el conjunto de la luz, desatornille el tornillo piloto especial en la parte superior del aro frontal, retire el conjunto de la luz del nicho y colóquelo cuidadosamente en el perímetro exterior de la piscina. No es necesario vaciar la piscina. Véase la Figura 6.

Tabla 2. Especificaciones de las luces

Modelo Jandy Pro Series	Voltaje	Controlador de luz (PCB), número de pieza
Luz grande LED RGBW WaterColors	12 voltios CA	R0739500
Luz grande LED RGBW WaterColors	12 voltios CA	R0739400
Luz LED pequeña RGBW WaterColors	12 voltios CA	R0785700
Luz LED pequeña RGBW WaterColors	12 voltios CA	R0739600

### ⚠ ADVERTENCIA

Asegúrese de guardar el tornillo piloto especial de esta luz subacuática. Este tornillo monta y establece una conexión a tierra segura entre el compartimento y el anillo de montaje y el nicho. Toda falla que surgiera durante la utilización del tornillo podría generar una descarga eléctrica y provocar lesiones graves o la muerte de los usuarios de la piscina o el spa o las personas encargadas de la instalación.

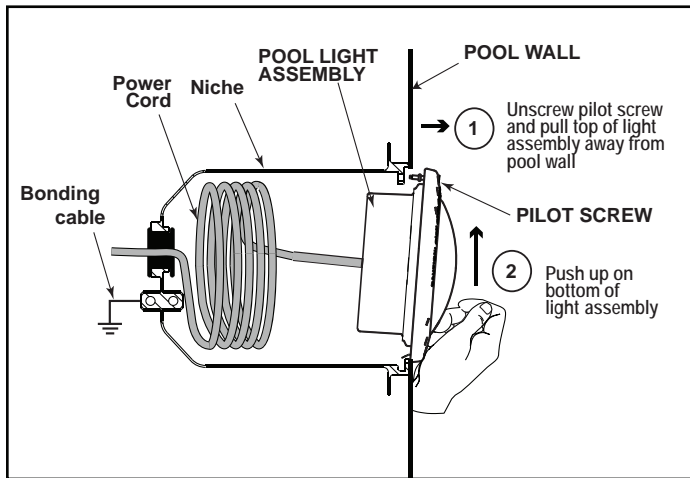
### 7.1 Extracción de la abrazadera de la piscina.

1. Afloje los ocho (8) tornillos Phillips (seis (6) para luz pequeña, ocho (8) para luz grande) para poder retirar la abrazadera inferior del conjunto del aro frontal. No retire los tornillos de los aros de retención. Los aros de retención evitan que los tornillos se suelten de la abrazadera inferior y se caigan, y también ayudan a facilitar el montaje.
2. Retire la abrazadera inferior, el conjunto del aro frontal, el lente de vidrio y la junta del conjunto de la luz. Retire la junta de silicona del lente. Véase la Sección 9, Plano de despiece y piezas de repuesto.

**NOTA** Instale siempre una nueva junta de silicona para el lente cada vez que desmonte la luz.

### 7.2 Reemplazo del controlador de luz pequeña de 12V (PCB)

1. Retire ambos cables de desconexión rápida del PCB. Tenga en cuenta que el cable negro está conectado a ACN (TP-2) y el blanco está conectado a ACL (TP-1).
2. Retire dos (2) tuercas y dos (2) arandelas.
3. Retire el controlador de luz del conjunto de la luz.
4. Aplique pasta térmica a la parte posterior del nuevo tablero controlador de luz.
5. Coloque el nuevo controlador de luz en el conjunto de la luz, con la orientación que se muestra en la Figura 7.
6. Asegure el controlador de luz con una (1) arandela y una (1) tuerca del lado derecho del controlador de luz. Apriete a 12 pulgadas libras.



**Figura 6. Extracción del conjunto de luz LED RGBW Jandy Pro Series WaterColors para reemplazar el controlador de luz**

7. Coloque una arandela en el otro espárrago y coloque el terminal de cable de tierra (verde) en la arandela y asegúrelos con una tuerca. Apriete a 12 pulgadas libras.
8. Enchufe el cable de desconexión rápida (blanco) en la terminal ACL (TP-1) del motor de luz.
9. Conecte el cable de desconexión rápida (negro) en el terminal ACN (TP-2) del motor de luz.

### 7.3 Reemplazo del tablero LED pequeño de 120V

1. Desconecte la alimentación eléctrica y espere 5 minutos.
2. Retire dos (2) tornillos y seis (6) arandelas.
3. Desconecte el conector del tablero del motor de luz.
4. Retire el tablero LED del disipador de calor. Si también va a reemplazar el tablero controlador, puede proceder ahora al paso 7.4
5. Aplique pasta térmica a la parte posterior del nuevo tablero LED.
6. Coloque el nuevo tablero LED en el disipador de calor con la orientación que se muestra en la Figura 7.
7. Asegure el tablero LED con dos (2) tornillos y dos (2) arandelas.
8. Enchufe el conector del tablero.

### 7.4 Reemplazo del controlador de luz pequeña de 120V (PCB)

1. Desconecte la alimentación eléctrica y espere 5 minutos.
2. Retire el tablero LED según las instrucciones del paso 7.3
3. Retire los 2 tornillos del disipador de calor y retire el disipador de calor.
4. Retire ambos cables de desconexión rápida del PCB. Tenga en cuenta que el cable negro está conectado a ACN y el cable blanco está conectado a ACL.
5. Retire los 2 postes metálicos del tablero controlador

6. Retire el tablero controlador y coloque el nuevo tablero controlador de luz en el conjunto de la luz, con la orientación que se muestra en la Figura 7.
7. Inserte los postes metálicos de vuelta en los espárragos de tornillo.
8. Conecte ambos cables de desconexión rápida, el blanco en el terminal ACL del controlador de luz y el negro en el ACN.
9. Alinee el disipador de calor con los postes metálicos
10. Asegure el disipador de calor con los 2 tornillos
11. Aplique pasta térmica a la parte posterior del nuevo tablero LED.
12. Coloque el nuevo tablero LED en el disipador de calor con la orientación que se muestra en la Figura 7.
13. Asegure el tablero LED con dos (2) tornillos y seis (6) arandelas.
14. Enchufe el conector del tablero.

### 7.5 Reemplazo del controlador de luz grande (PCB) (120V y 12V)

1. Desconecte la alimentación eléctrica y espere 5 minutos.
2. Desconecte los terminales de desconexión rápida y el cable de conexión a tierra (verde) del controlador de luz.
3. Retire las tres (3) tuercas y arandelas.
4. Retire el tablero LED, el tablero controlador de luz y el conector del tablero del conjunto de la luz.
5. Aplique pasta térmica a la parte posterior del nuevo tablero LED.
6. Coloque el nuevo tablero LED y el tablero controlador de luz en el conjunto de la luz, con la orientación que se muestra en la Figura 8.
7. Asegure los nuevos tableros con 3 arandelas, arandelas divididas y tuercas. Apriete a 12 pulgadas libras.
8. Conecte el cable de desconexión rápida blanco en el terminal AC1 (TP-L) del tablero controlador de luz.
9. Conecte el cable de desconexión rápida negro en el terminal AC2 (TP-N) del controlador de luz. Asegúrese de que ambos conectores estén enchufados en ambos tableros.
10. Para asegurar el cable de conexión a tierra, coloque la arandela plana, seguida del cable de conexión a tierra, seguido de la arandela dividida y asegure el conjunto firmemente con la tuerca. Apriete a 12 pulgadas libras.

### 7.6 Volver a ensamblar la luz.

1. Si aún no lo ha hecho, retire la junta del lente de vidrio e instale una nueva junta en el lente. En la luz pequeña, retire el lente divergente.

**NOTA** debe usarse una nueva junta de lente cada vez que se vuelva a ensamblar la luz.

## ⚠ ADVERTENCIA

### RIESGO DE DESCARGAS ELÉCTRICAS O ELECTROCUCIÓN

Instale siempre una nueva junta de lente cada vez que desensamble la luz. De lo contrario puede entrar agua al conjunto, lo que podría provocar:

(a) Un riesgo eléctrico capaz de causar la muerte o lesiones graves a los usuarios de la piscina o spa, a las personas encargadas de la instalación u otras personas debido a una descarga eléctrica, o

(b) Una falla de la luz LED RGBW Jandy WaterColors, que también causaría lesiones graves a los usuarios de la piscina o el spa, a las personas encargadas de la instalación, a las personas alrededor, o daños a la propiedad.

2. Mientras sostiene el conjunto de la luz hacia arriba, coloque el lente de vidrio con la empaquetadura encima de la luz. Tenga en cuenta que la empaquetadura del lente no tiene forma simétrica. Por eso, se debe instalar correctamente de manera que el lente quede sellado en el compartimento de la luz. Coloque la junta en el lente con la orientación que se muestra en la Figura 10. En la luz pequeña, reemplace el lente divergente introduciendo las pestañas entre el lente y la junta.

**NOTA** Asegúrese de que el lado opaco del lente divergente vea hacia el PCB.

3. Coloque el lente y la junta sobre el conjunto de la luz. Coloque el conjunto del aro frontal sobre el lente y alinee el tornillo piloto con la marca de flecha pequeña en la cara del lente. Tenga en cuenta que la marca de la flecha pequeña sobre la cara del lente y el tornillo piloto del aro frontal deben estar alineados con la flecha ubicada en

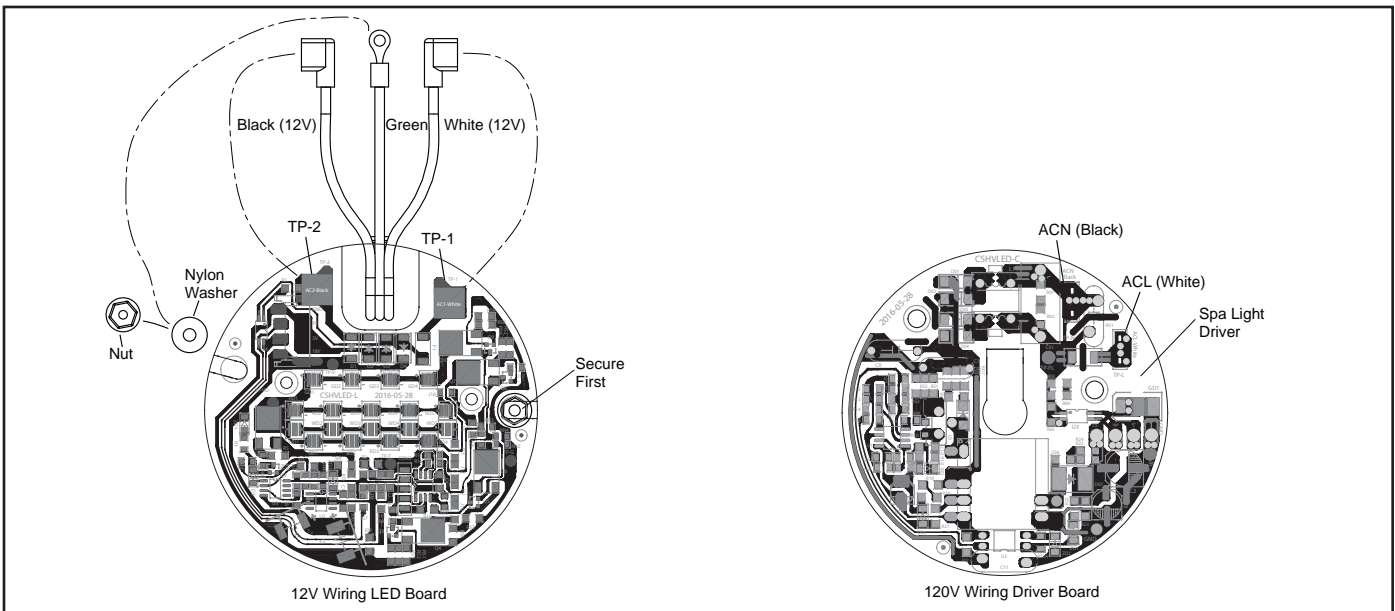


Figura 7. Reemplazo y cableado del motor (PCB) de luz pequeña

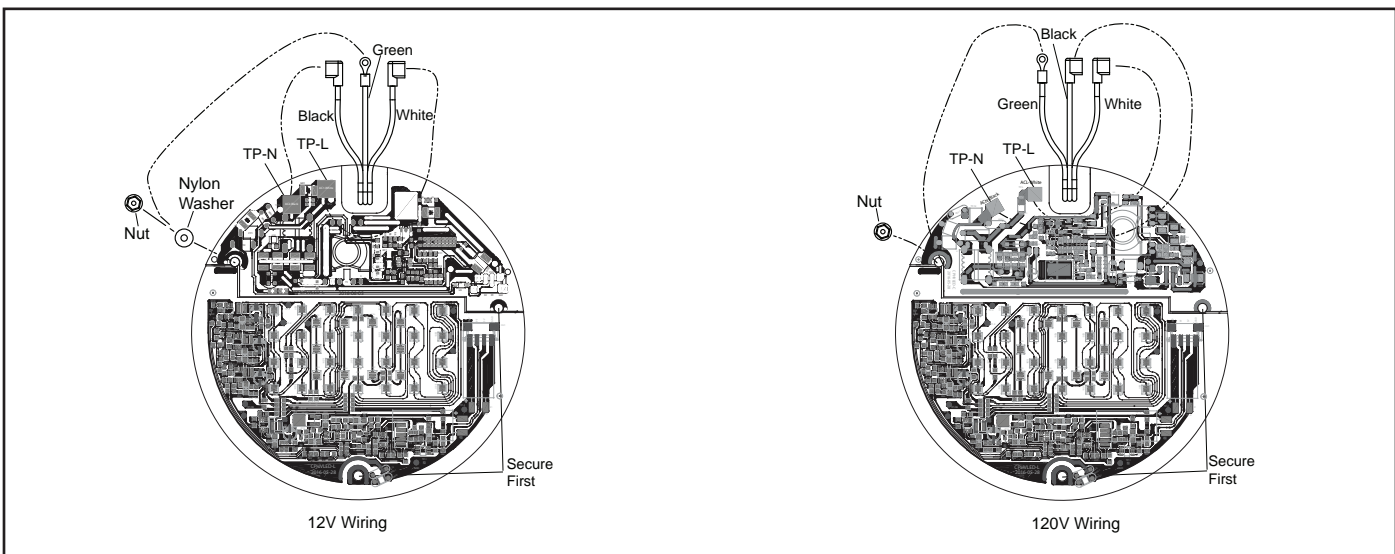
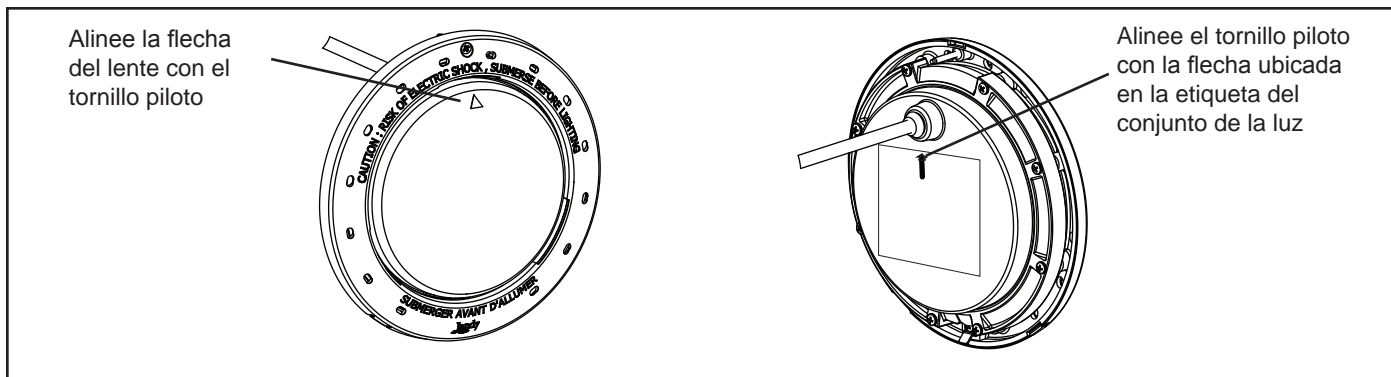


Figura 8. Reemplazo y cableado del motor (PCB) de luz grande



**Figura 9. Alineación del lente, el aro frontal, el compartimento y las abrazaderas de las luces WaterColors**

la etiqueta de la luz que dice, “Arrow on this label must line up with the pilot screw on the Face Ring” (La flecha en esta etiqueta debe estar alineada con el tornillo piloto del aro frontal)”. Consulte la Figura 9.

4. Mientras sostiene el conjunto del aro frontal alineado y la luz juntos, dele vuelta al conjunto y colóquelo sobre la junta vieja, usándola como ayuda para el ensamblado. Esto evitará que el conjunto del lente y la empaquetadura salgan expulsados del aro frontal mientras se aseguran a la luz.
5. Posicione la abrazadera inferior sobre el cable de electricidad y deslícela hacia la parte trasera de la luz y hacia la abrazadera superior.
6. Ajuste los tornillos Phillips (ocho (8) para luz grande y seis (6) para luz pequeña) en la luz, en forma de cruz y alternando. Apriete los tornillos aproximadamente a 25 pulgadas libras.
7. Deseche la junta usada.

**7.7 Reinstalación de la luz Jandy Pro Series en el conjunto del nicho.**

1. Enrolle los cuatro (4) pies extra de cable alrededor del conjunto o en la base del nicho y coloque el conjunto de luz en el nicho.
2. Enganche la brida de retención en la parte inferior del aro frontal, luego gire la parte superior del conjunto de la luz hacia adentro y apriete el tornillo piloto especial.

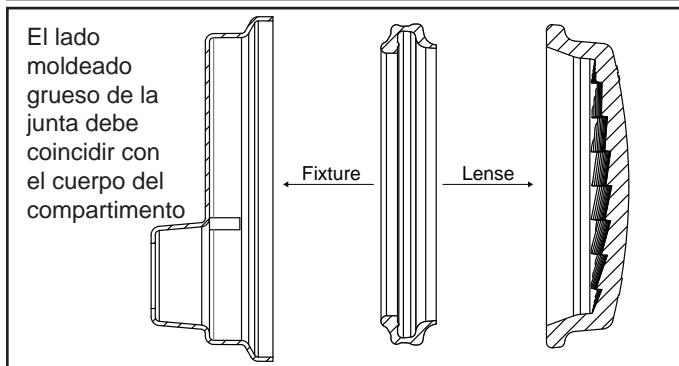
**⚠ ADVERTENCIA**

Utilice los tornillos piloto especiales que vienen con esta luz subacuática. Este tornillo monta y establece una conexión a tierra segura entre el compartimento y el anillo de montaje y el nicho. Toda falla que surgiera durante la utilización del tornillo podría generar una descarga eléctrica y provocar lesiones graves o la muerte de los usuarios de la piscina o el spa o las personas encargadas de la instalación.

3. Si la piscina está vacía, llene la piscina hasta que la luz subacuática esté totalmente sumergida en el agua antes de encender la luz por más de 2 minutos. La luz se calentará rápidamente si se opera fuera del agua. Encienda el interruptor principal o el disyuntor y el interruptor que activa la luz subacuática para verificar que funcionen correctamente.

**⚠ ADVERTENCIA**

Nunca opere esta luz subacuática por más de 10 segundos a menos que esté completamente sumergida en el agua. De lo contrario, el conjunto de la luz se calentará demasiado, lo que podría provocar quemaduras graves o daños en la luz. Esto puede dañar la propiedad o resultar en lesiones graves a los usuarios de la piscina o el spa, las personas encargadas de la instalación o las personas que permanecieran cerca.



**Figura 10. Plano transversal de la luz LED Jandy Pro Series WaterColors**

**Sección 8. Instalación del modelo de doce (12) voltios**

Se necesita un transformador CA de 12 voltios separado en todos los modelos de 12 voltios. Para la luz LED RGBW Jandy Pro Series WaterColors use un sistema de 12 voltios de derivación múltiple de 150 watts por cada luz.

**⚠ ADVERTENCIA**

Con el fin de minimizar el riesgo de descarga eléctrica o electrocución, que podría provocar lesiones o la muerte, para la conexión de luces de bajo voltaje use solamente una fuente de alimentación de bajo voltaje aislada, evaluada y certificada por un Laboratorio de pruebas reconocido a nivel nacional (NRTL) para uso en piscinas.

**NOTA** Para que el funcionamiento sea óptimo, Jandy Pro Series recomienda utilizar un transformador para cada luz de 12 voltios.

Para asegurar la máxima seguridad, se recomienda enfáticamente usar un transformador que haya sido certificado o reconocido por un Laboratorio de pruebas reconocido a nivel nacional (NRTL) para la aplicación.



## Sección 9. Plano de despiece y piezas de repuesto

### 9.1 Luz LED RGBW Jandy Pro Series WaterColors grande

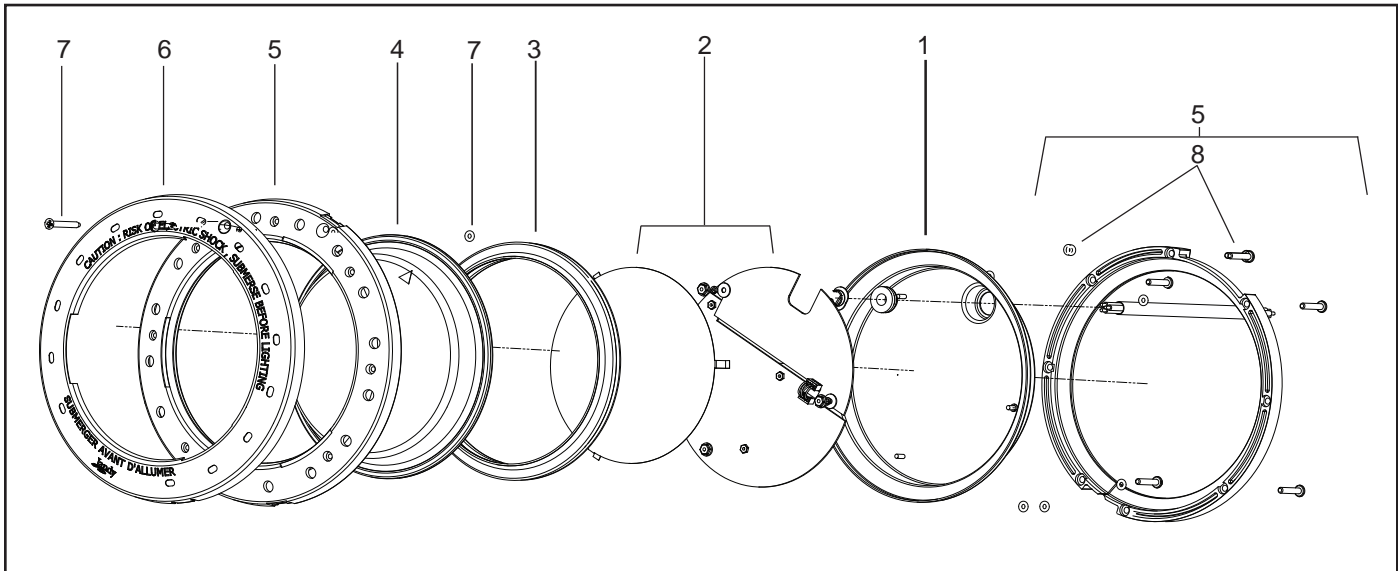


Figura 11. Plano de despiece de la luz LED RGBW Jandy Pro Series WaterColors grande

DWG N°	Pieza N°	Descripción	Reemplazables en el lugar
1	ND	Compartimento de luz LED RGBW WaterColors	<i>NO – Adquiera una luz nueva</i>
2	R0739500	PCB de motor de luz, luz LED grande de 12V con lente divergente de corrección de luz	<b>SÍ</b>
2	R0739400	PCB de motor de luz, luz LED grande de 120V con lente divergente de corrección de luz	<b>SÍ</b>
3	R0790500	Junta de silicona	<b>SÍ</b>
4	R0790600	Lente de vidrio	<b>SÍ</b>
5	R0790700	Conjunto de abrazadera	<b>SÍ</b>
6	R0790801	Aro frontal, Acero inoxidable (AI)	<b>SÍ</b>
6	R0790802	Aro frontal, Plástico, Blanco	<b>SÍ</b>
6	R0790803	Aro frontal, Plástico, Negro	<b>SÍ</b>
6	R0790804	Aro frontal, Plástico, Gris	<b>SÍ</b>
6	R0790805	Aro frontal, Set de plástico	<b>SÍ</b>
7	R0790900	Tornillo piloto, con sujetador	<b>SÍ</b>
8	R0791000	Tornillos de presión (8 tornillos y 8 sujetadores)	<b>SÍ</b>

## 9.2 Luz LED RGBW Jandy Pro Series WaterColors pequeña

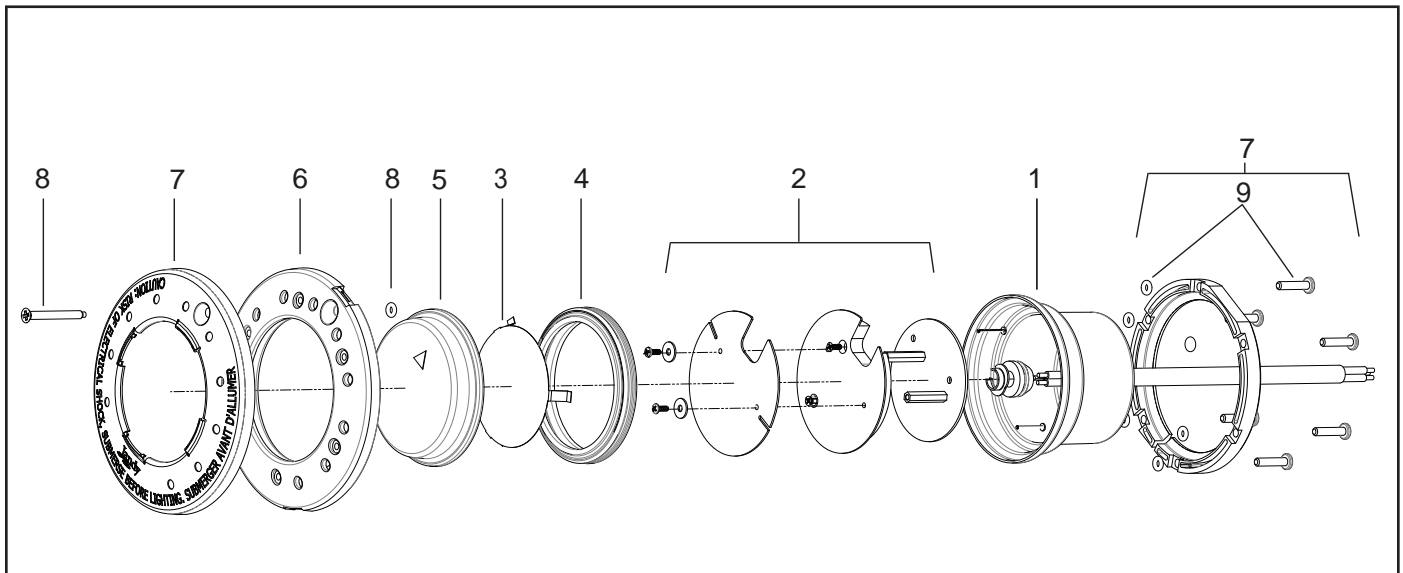


Figura 12. Plano de despiece de la luz LED RGBW Jandy Pro Series WaterColors pequeña

DWG N°	Pieza N°	Descripción	Reemplazables en el lugar
1	ND	Compartimento de luz LED RGBW WaterColors	NO – Adquiera una luz nueva
2	R0739600	Motor de luz, luz LED pequeña	SÍ
3	R0739700	Lente divergente, corrección de luz, luz LED pequeña	SÍ
4	R0791100	Junta de silicona	SÍ
5	R0791200	Lente de vidrio	SÍ
6	R0791300	Conjunto de abrazadera	SÍ
7	R0791401	Aro frontal, Acero inoxidable (AI)	SÍ
7	R0791402	Aro frontal, Plástico, Blanco	SÍ
7	R0791403	Aro frontal, Plástico, Negro	SÍ
7	R0791404	Aro frontal, Plástico, Gris	SÍ
7	R0791405	Aro frontal, Set de plástico	SÍ
8	R0790900	Tornillo piloto, con sujetador	SÍ
9	R0791600	Tornillos de presión (6 tornillos y 6 sujetadores)	SÍ

Zodiac Pool Systems, Inc.  
2620 Commerce Way, Vista, CA 92081  
1 (800) 822-7933 | [www.ZodiacPoolSystems.com](http://www.ZodiacPoolSystems.com)

Zodiac Pool Systems Canada, Inc.  
2115 South Service Road West, Unit 3 Oakville, ON L6L 5W2  
1-888-647-4004 | [www.ZodiacPoolSystems.ca](http://www.ZodiacPoolSystems.ca)

ZODIAC® es una marca registrada de Zodiac International, S.A.S.U., utilizada bajo licencia.  
Todas las marcas a las que se hace referencia en esta publicación son propiedad de sus respectivos propietarios

©2017 Zodiac Pool Systems, Inc. H0596700 Rev B

