

# INTEX® OWNER'S MANUAL

## Quick-Fill™ Electric Air Pump

### Model AP643 110 – 120Volt ~ 60Hz 2A

READ AND FOLLOW ALL INSTRUCTIONS BEFORE USING THIS PRODUCT

## ⚠ WARNING

- For Indoor Household Use Only.
- Adult use only.
- Do not drop unit into water or expose unit to rain or water.
- Do not direct air stream at face or body.
- Do not operate for more than 10 minutes at a time. Unplug and let cool at least 10 minutes.
- Unplug unit when not in use.
- Do not obstruct vent holes or open source.
- Do not insert objects into the inflation or deflation connector.
- If the AC supply cord is damaged, it must be replaced by the manufacturer or its service agent or similarly qualified persons in order to avoid a hazard.
- Do not run cord under carpeting. Do not cover cord with throw rugs, runners, or similar coverings. Do not route cord under furniture or appliances. Arrange cord away from traffic area and where it will not be tripped over.


**FOLLOW THESE RULES AND ALL INSTRUCTIONS TO AVOID PROPERTY DAMAGE, ELECTRIC SHOCK, BURNS OR OTHER INJURY.**

## ⚠ CAUTION

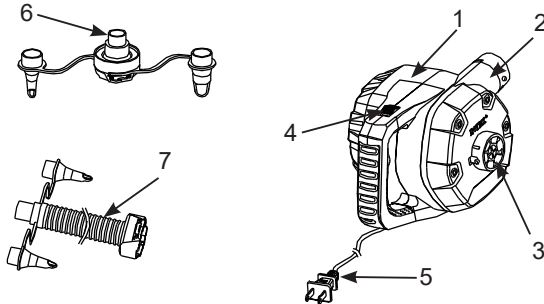
- To reduce the risk of electric shock or injury, use indoors only, do not expose to rain. Store indoors.

### SERVICING OF A DOUBLE-INSULATED PRODUCT:

In a double-insulated product, two systems of insulation are provided instead of grounding. No grounding means is provided on a double-insulated product, nor should a means for grounding be added to the product. Servicing of a double-insulated product requires extreme care and knowledge of the system, and should be done only by qualified service personnel. Replacement parts for a double-insulated product must be identical to those parts in the product.

A double-insulated product is marked with the words "DOUBLE INSULATION" or "DOUBLE INSULATED" and with the symbol .

### NAMES OF PARTS



### PARTS DESCRIPTION:

1. PUMP
2. INFLATION CONNECTOR
3. DEFLATION CONNECTOR
4. SWITCH
5. AC LINE CORD
6. NOZZLES
7. AIR HOSE

**NOTE:** Drawings for illustration purpose only. May not reflect actual product. Not to scale.

## OPERATING INSTRUCTIONS

### General

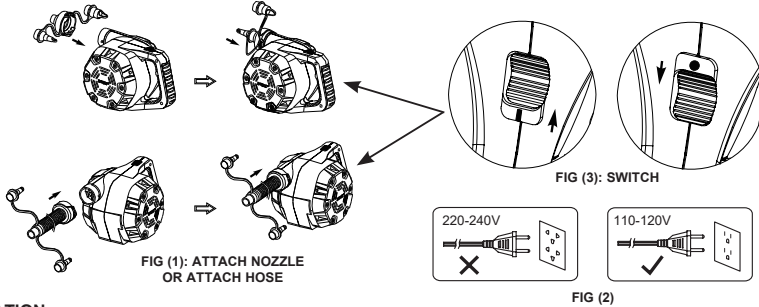
- This appliance has a polarized plug (one blade is wider than the other). This plug will fit in a polarized outlet only one way. If the plug does not fit fully in the outlet, reverse the plug. If it still does not fit, contact a qualified electrician to install the proper outlet. Do not change the plug in any way.
- Return pump, hose and nozzles to package when not in use.

# READ AND SAVE THESE INSTRUCTIONS

## OPERATING INSTRUCTIONS

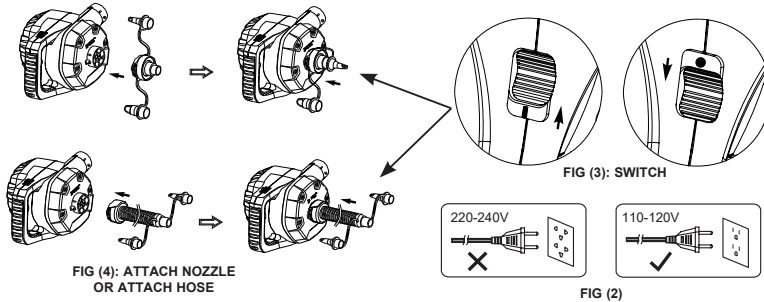
### INFLATION

1. Attach nozzle or air hose to the inflation connector if necessary and hold pump against inflation valve on item to be inflated. See Fig (1).  
**NOTE:** On large items like inflatable boats and large air mattresses, the pump will fit directly into the inflation valves and provide faster inflation times. Use the appropriate nozzle on small inflation valves as on small air mattresses, etc.
2. Plug in the AC line cord into an AC electrical outlet. See Fig (2).
3. SWITCH ON: Press "I"; SWITCH OFF: Press "0". See Fig (3).



### DEFLATION

1. Attach nozzle or air hose to the deflation connector if necessary and hold pump against inflation valve on item to be deflated. See Fig (4).  
**NOTE:** On large items like inflatable boats and large air mattresses, the pump will fit directly into the inflation valves and provide faster deflation times. Use the appropriate nozzle on small inflation valves as on small air mattresses, etc.
2. Plug in the AC line cord into an AC electrical outlet. See Fig (2).
3. SWITCH ON: Press "I"; SWITCH OFF: Press "0". See Fig (3).



### MAINTENANCE INSTRUCTIONS

No specific air pump maintenance is required. Air pump has no user serviceable parts.

### MOVING AND STORAGE INSTRUCTIONS

Move the product, air pump and accessories to the power source location. Make sure the power cord is free of twist, kink and knot. Fold the power cord loosely, and return pump and nozzles to package when not in use.

**INTEX**<sup>®</sup>

©2021 Intex Marketing Ltd. - Intex Development Co. Ltd. - Intex Recreation Corp. All rights reserved/Tous droits réservés/Todos los derechos reservados/Alle Rechte vorbehalten. Printed in China/Imprimé en Chine/Impreso en China/Gedruckt in China.  
 ®™ Trademarks used in some countries of the world under license from®™ Marques utilisées dans certains pays sous licence de/Marcas registradas utilizadas en algunos países del mundo bajo licencia de/Warenzeichen verwendet in einigen Ländern der Welt in Lizenz von/Intex Marketing Ltd., to/à/ian Intex Development Co. Ltd., Hong Kong & Intex Recreation Corp., P.O. Box 1440, Long Beach, CA 90801 • Distributed in the European Union by/Distribué dans l'Union Européenne par/Distribuido en la Union Europea por/Vertreter in der Europäischen Union durch/Intex Trading B.V., Venneveld 9, 4705 RR Roosendaal – The Netherlands  
[www.intexcorp.com](http://www.intexcorp.com)

# READ AND SAVE THESE INSTRUCTIONS