

### MOUNTING THE RELAY

**NOTE:** Connecting the Pump Start Relay should only be done by a licensed electrician following local codes. Improper installation could result in shock or fire hazard.

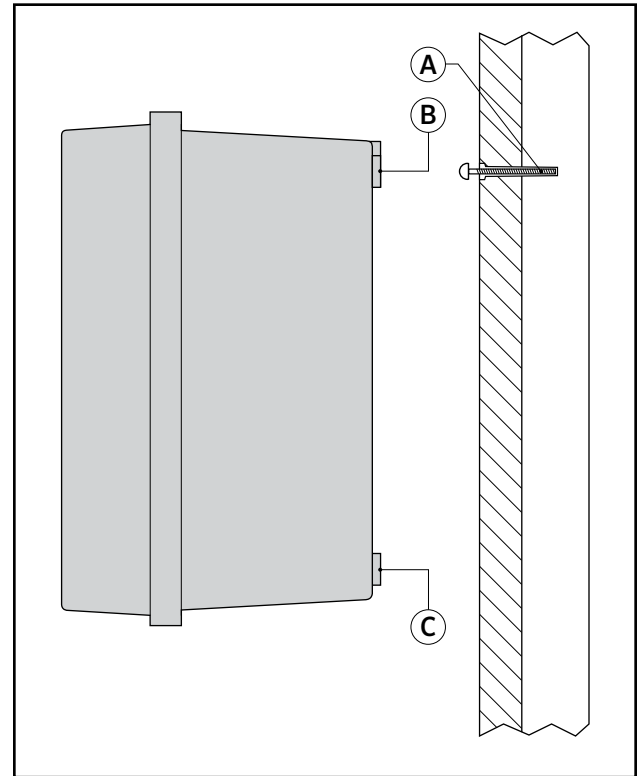
- 1) Find a suitable location to mount the Pump Start Relay. It is recommended that the relay be mounted at least 15 ft. (4.5 m) from the sprinkler controller.
- 2) Open the door and remove the four screws and cover plate. Use the hole at the top of the cabinet as a reference and screw on screw (A) into the wall.

**NOTE:** Install screw anchors if attaching to drywall or masonry wall.

- 3) Align the Pump Start Relay with the screw and slide the keyhole (B) on the back of the cabinet over the screw. Mark the spot for screw holes (C) along the bottom of the cabinet. Install screw anchors, if necessary, and secure the cabinet in place by installing screws in the lower holes.

### CONNECT THE RELAY TO THE POWER SOURCE AND MOTOR

- 1) To prevent electric shock, turn the main circuit breaker switch to “off” prior to making any electrical connections.
- 2) Assemble conduit piping and connect AC power from the power source to one side of the relay (Reference wiring diagram and Pump Start Relay cover plate).
- 3) Assemble conduit piping and connect wiring from the pump motor to the other side of the relay.
- 4) Check to make sure there are no exposed or loose connections.



## CONNECT THE RELAY TO THE IRRIGATION CONTROLLER

The yellow wires in the lower wiring compartment are to be attached to your irrigation controller.

- 1) Run a single wire from the “common” terminal on the controller to one of the yellow wires on the Pump Start Relay.
- 2) Run a single wire from the MV/Pump terminal on the controller to the other yellow wire on the Pump Start Relay.
- 3) Use the enclosed wire nuts to make the connections and verify that they are secure.
- 4) Install Pump Start Relay cover plate and four screws.
- 5) Close and lock the cabinet door.

Different wire can be used to connect the Pump Start Relay to the controller. Refer to the Wire Size Chart below for wire size and maximum lengths.

## WIRE SIZE CHART

Wire Gauge	Max Distance
10 AWG	1,200 ft
12 AWG	750 ft
14 AWG	450 ft
16 AWG	300 ft
18 AWG	185 ft
20 AWG	120 ft

