

Relax. Your day just got shorter.



The Service-21™

UNIT INCLUDES:
 21" HEAD, 40' FLOATING POWER CORD,
 TRUCK/TRAILER MOUNT, AND TWO DEBRIS BAGS
(12-VOLT BATTERY, CHARGER, POOL POLE, AND CHEMICAL JUGS NOT INCLUDED)
 UNITS MAY BE SLIGHTLY DIFFERENT THAN THOSE PICTURED

Conventional vacuum systems are no match for the typical debris you encounter during weekly pool service. Leaves, sand, dirt, soil, and hair can clog the filter element and strainer basket each time you vacuum. Under extreme situations, such as storm cleanup, multiple trips to the pump and filter can turn the routine service stop into a complicated process.

Simplify that process! The powerful 12-volt **HAMMER-HEAD** system has you up and cleaning immediately without set up time. Because it's self-contained and portable, you can vacuum any pool at any time, even when electrical and water service, necessary for conventional vacuums, are unavailable. There are no valves to set, no pumps to prime, and no dangerous power cords or outlets.

Time is money, and a **HAMMER-HEAD** can save you more than 50% in cleaning time per pool. Rapid set up time and unmatched operating speed can increase your overall profitability. With greater time savings, you could take on more work and grow your business, *or just give yourself a break!* The easy rolling cart can reduce worker fatigue by carrying everything you need in one trip. *So relax.* Big jobs or small, the **HAMMER-HEAD** can handle it all-*faster!*



A TRUE ORIGINAL.

1-866-887-7983

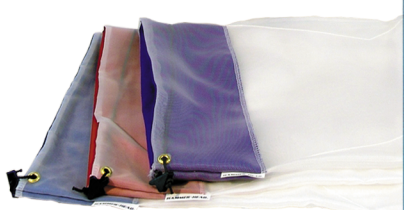
www.hammerheadvac.com



Selected as one of the Top 50 Products for 2004
 by Pool and Spa News

The Service-21™ is faster than any cleaner you have ever used.

**THE ORIGINAL
TILT-ON, TILT-OFF MOUNT SYSTEM
FOR TRUCK OR TRAILER**



**THE ORIGINAL
SUPER-AGILE, SUPER-FAST
VACUUM HEAD**



Why go to work without one?

The **HAMMER-HEAD** is simple to operate. Just wheel it next to the pool, attach a standard pool pole, and start cleaning at once. In the water, the patented head design and pressurized motor move over 16,000 gallons per hour. Rechargeable power comes from a standard 12-volt deep-cycle marine battery (not included).

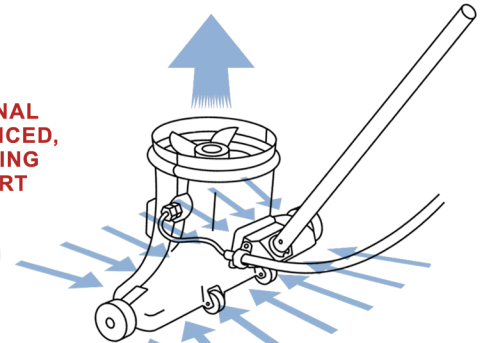
For quick and easy spot cleaning, storm cleanup, or weekly maintenance, there is no comparison. **HAMMER-HEAD** units are proudly hand assembled in the USA, and are backed by a one year limited warranty. Routine testing and improvements make it the fastest, most efficient portable vacuum system available, and pool service professionals nationwide have made it #1.

- Patented 21" or 30" easy-steering vacuum head
- 40ft or 60ft foam jacketed floating power cord
- Patented sealed and pressurized motor
- Welded stainless steel pole swivel yoke
- Longest wearing urethane head wheels
- Tilt-on, tilt-off truck/trailer mount system
- Welded, powder coated aluminum cart
- BMX style mag wheels with bearings
- Stainless steel axle and axle collars
- Frame mounted tile soap bottle
- Heavy duty accessory tray
- Non-marking grey tires
- Full size battery box

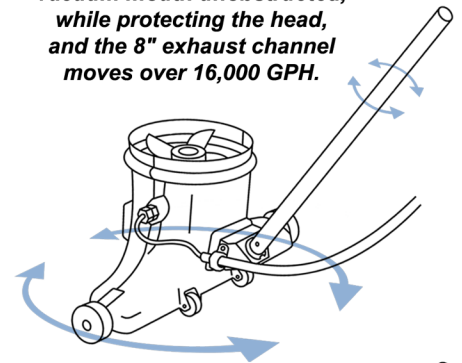


How well does it work?
Using a Service-21™ we removed over 30lbs of dirt from a residential pool in under fifteen minutes!

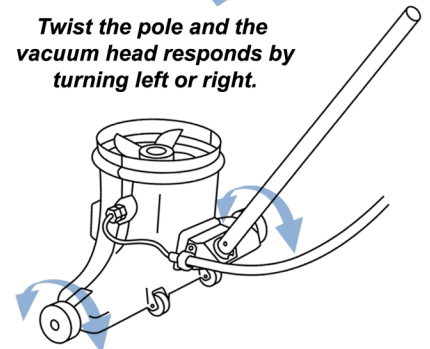
**THE ORIGINAL
FULLY BALANCED,
EASY-ROLLING
CADDY CART**



Outboard wheels keep the vacuum mouth unobstructed, while protecting the head, and the 8" exhaust channel moves over 16,000 GPH.



Twist the pole and the vacuum head responds by turning left or right.



The vacuum head rocks back when you push forward and forward when you pull back, concentrating the suction where it's needed most.