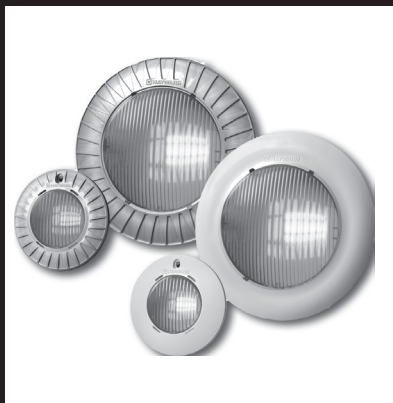




# Universal ColorLogic® and CrystaLogic™ LED Light Fixtures

## Installation and Operation Manual



**Contents**

- Safety Instructions.....2
- Introduction.....3
- Installation.....4
- Replacement Parts.....11
- Operation.....12
- Troubleshooting.....13
- Warranty.....14
- Registration Card.....15



LPCUS11xxx, LPCUN11xxx  
 LSCUS11xxx, LSCUN11xxx  
 LPLUS11xxx, LSLUS11xxx  
 LPWUS11xxx

Pour obtenir le manuel de l'utilisateur  
 en Français consultez [www.hayward-pool.ca](http://www.hayward-pool.ca).

Hayward Pool Products  
 620 Division Street, Elizabeth NJ 07207  
 Phone (908)-355-7995  
[www.hayward.com](http://www.hayward.com)



# HAYWARD®

## IMPORTANT SAFETY INSTRUCTIONS

**SAFETY WARNING:** Do not open. Light has no user serviceable parts inside. Improper installation may result in death or serious injury to bathers or service personnel or others by way of electric shock. Disconnect electrical power before installing or servicing this equipment. Read and follow all instructions. This product to be installed by qualified personnel only.

**INSTALLATION DEPTH REQUIREMENT:** Except when the fixture is installed in an area of the swimming pool that is not used for swimming and the lens is adequately guarded to keep any person from contacting it, the fixture must be installed in a wall or on a floor of a pool, spa, or water feature with the top of the lens opening not less than 4 in. and no more than 72 in. below the normal water level of the pool.

Model	Input (Volts, Amp, Watts)
LPC	14 Vac, 60 Hz, 5 A, 70 W
LS	14 Vac, 60 Hz, 2.5 A, 35 W
LPW/LPL	14 Vac, 60 Hz, 5.4 A, 75 W

## IMPORTANT WIRING CHECKLIST

Do not skip any steps in this or any section of the manual.

- The above safety warnings and the complete installation instructions in this manual have been read and followed.
- A SAFETY LISTED **POOL/SPA ISOLATION TRANSFORMER** HAS BEEN USED TO SUPPLY 14 VOLTS TO THE FIXTURE.
- The transformer output wiring HAS NOT been tied or shorted to ground.
- The cord length has not been extended beyond the guidelines in this manual.
- The cord jacket is not damaged, cut or spliced except as noted below.
- Extensions or splices to the cord are only made in a safety listed Pool / Spa junction box or junction box transformer system.
- The luminaire is firmly secured to the niche and cannot be removed without the use of a tool.
- The niche is properly bonded UNLESS a Hayward Universal ColorLogic Niche (LFGUY1000 or LGGUY1000) is used.
- The luminaire has been installed by qualified personnel in compliance with the National Electrical Code (NEC) or Canadian Electric Code (CE Code) and any applicable local codes and/or regulations.

Installed by: \_\_\_\_\_ of company \_\_\_\_\_ Date: \_\_\_\_\_

**LEAVE THESE INSTRUCTIONS WITH PROPERTY OWNER**



## Introduction

Congratulations on your purchase of a Hayward® Universal ColorLogic®/CrystaLogic™ LED Light. Welcome to a more colorful world, brought to you by Hayward, that generates colored light and effects using a microprocessor to control red, green, blue, and white LED's.

Your Hayward Universal ColorLogic/CrystaLogic underwater pool or spa light has these special features:

1. Long-lasting LED's (light-emitting diodes) which can last up to 10 times longer than current incandescent or halogen pool and spa lights.
2. Multi color capability without any color wheels or moving parts to wear out.
3. In stand-alone mode, Universal ColorLogic lights offer 17 different programs; 10 fixed colors, and 7 color shows.
4. In Omni Direct mode (requires either an OmniHub or OmniLogic pool controller), LPCUS11xxx and LSCUS11xxx Universal ColorLogic lights offer 27 different programs; 20 fixed colors and 7 color shows with full control over speed and brightness.
5. When networked with a Hayward Pro Logic® pool/spa controller (requires AQL-COLOR-MODHV), LSCUN11xxx and LPCUN11xxx Universal ColorLogic lights are capable of 11 shows and 101 fixed light colors with full control over speed, brightness and motion control.
6. CrystaLogic models offer programmable dimming (page 12).
7. Universal ColorLogic/CrystaLogic lights offer spectacular brilliant light with low power consumption. Uses up to 86% less energy than a typical incandescent pool light.

The 12 volt Hayward Universal ColorLogic and CrystaLogic LED (light-emitting diode) underwater lighting fixtures you have purchased are UL Listed to be installed in all Hayward or any other manufacturer's light fixture housing (niche).

Installation of light and niche must be in accordance with Article 680 of the National Electrical Code (NEC) and any applicable local codes. Ensure that your niche is properly grounded and bonded. NOTE: the Hayward LFGUY1000 low profile, all plastic niche does not require bonding or grounding.

Because of the all plastic design with an impact resistant lens, these lights can be installed as little as 4 inches (10cm) from below the normal water level of the pool or spa to the top of the lens. It can also be installed upward facing on a floor without a rock guard for pools, spas, lighting ponds, fountains, or water falls.

### **Important Note When Installing LFGUY1000 Niches in Concrete/Gunite Pools:**

LFGUY1000 Niche: A gunite/plaster shield is provided to protect the niche and ring during construction. The shield is designed to be installed during the gunite and plastering process. When finished guniting, pull on the tab and remove the outer ring of the shield. Keep the shield in place while plastering and until the light is ready to be installed.

## **GIVE THESE INSTRUCTIONS TO POOL/SPA OWNER AFTER INSTALLATION**

<b>Model</b>	<b>Equivalent Brightness</b>	<b>Lumens</b>
LSLxxxxxx	100W	1000
LPLxxxxxx	300W	3250
LPWxxxxxx	500W	4900



## Installation

If replacing an existing light, remove power to the light at the panel before starting this installation. Installation must be performed in accordance with Local and NEC codes.

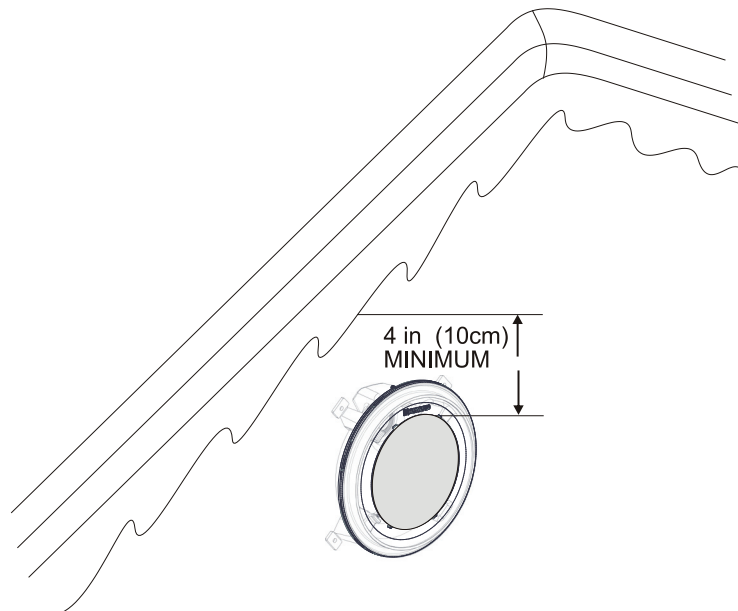
### Cord Length and Minimum Required Voltage

When installing Universal ColorLogic/CrystaLogic low voltage lights, the length of the cord has an effect on performance. To prevent performance problems, verify the transformer is providing the minimum required voltage according to the table below. To check this voltage, measure the voltage at the transformer while the light is “on” and operating in “white” mode. In some cases, a voltage greater than 12 volts is required due to a long cord run. Some transformers provide higher voltage taps for this purpose; check your transformer manufacturer’s installation instructions for details. When using Hayward or other transformers that offer a 14v option, we suggest that you always use the 14 volt tap.

Product	Total Cord Length from Transformer to Light	Minimum Required Voltage at Transformer
12v Universal ColorLogic or CrystaLogic Pool Light	30 ft	12 - 14 volts
	50 ft	13 - 14 volts
	100 ft	14 volts
12v Universal ColorLogic or CrystaLogic Pool Light	30 ft	12 - 14 volts
	50 ft	13 - 14 volts
	100 ft	14 volts

### Install Niche (new installations)

**NOTE: For installation of Hayward niches, see installation instructions provided with the unit.** The light fixture must be installed in a wall or on a floor of the pool or spa with the top of the lens not less than 4 inches (10 cm) below the normal water level of the pool except when the fixture is installed in an area of the swimming pool that is not used for swimming. Select a location for the light fixture(s) that will give optimum light dispersion for the pool or spa design. Be sure to consider the direction of emitted light and take care not to point lights directly at the house or outdoor living spaces.



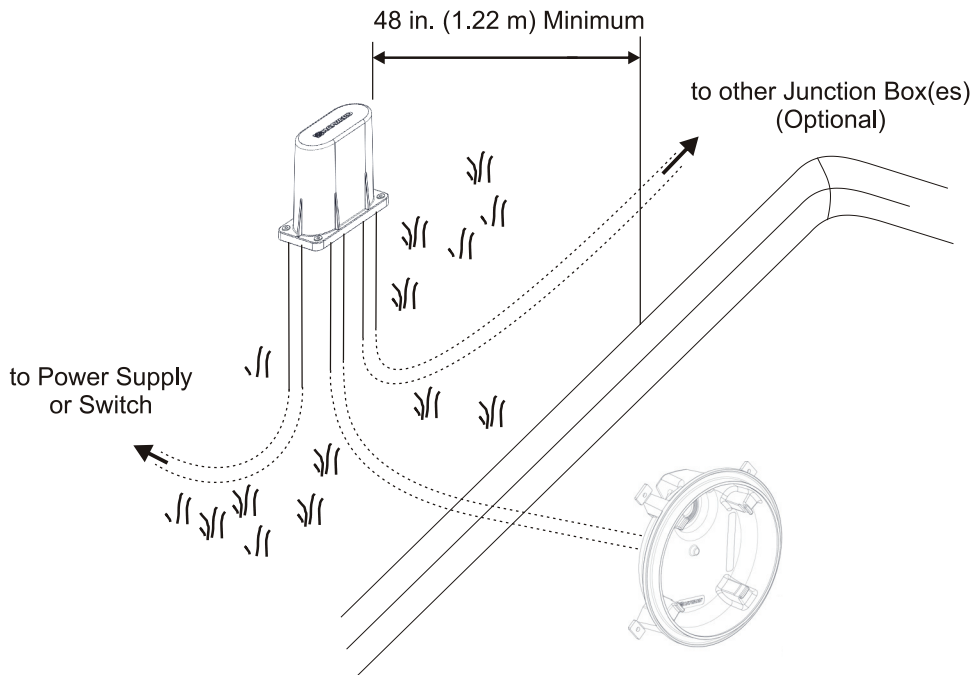


### Install Junction Box or Junction Box Transformer

When using a wallmount low voltage transformer, a junction box should be installed to make the connection to the pool/spa light. If using more than one light, an adequate amount of single or double outlet junction boxes will be required. Alternatively, Hayward low voltage junction box transformer kits (LTBUY11H65) can be used when in-line transformers are desired. Refer to page 10 for more information.

**IMPORTANT: 300 watt (LPLUS11xxx) and 500 watt (LPWUS11xxx) CrystaLogic lights must be used with low voltage transformers rated 100 watts or greater. Do not use with Hayward LRBUY11xxx and LTBUY11H65 Junction Box Transformers.**

Junction boxes must be installed not less than 48 inches (1.22 m) from the edge of the pool or spa. Run conduit from the niche up to the junction box such that the junction box is not less than 8 inches (20 cm) above the maximum pool or spa water level, or not less than 4 inches (10 cm) above the ground, whichever is greater. Additional conduit should be run from the junction box to the power supply, switch panel, pool/spa controller, etc.





## Mounting the Hayward Universal ColorLogic/CrystaLogic LED Light into Hayward Niche LFGUY1000

NOTE: Be sure that the trim ring is detached from light before attempting to install. Turn trim ring counter clockwise to detach. You may have to gently use a screwdriver in one of the 4 slots (located at 1,5,7 and 11 o'clock) to help turn the trim ring.

The Universal ColorLogic/CrystaLogic Light offers a unique tool-less design when used with the LFGUY1000 niche. To prepare for installation, remove the mounting screw and spacer from the top of the light (this will not be needed) and verify that the Twist Lock Latch is installed (Figure 1). The latch is removable and extras are included with the niche. The Twist Lock Latch will allow the light to fasten to the LFGUY1000 niche without the need for tools.

Coil up 3-4ft of extra cord (up to 15ft can be coiled if necessary) and insert it in the LFGUY1000 niche. To mount the light, insert it into the niche with the mounting hole located at the 11 o'clock position. Twist the light fixture clockwise until it firmly locks. The mounting hole should now be at the 12 o'clock position (Figure 2).

Install the trim ring by positioning the HAYWARD logo at the 11 o'clock position onto the light fixture. Twist the trim ring clockwise until it firmly locks. The Hayward logo should now be in the 12 o'clock position (Figure 3).

**To remove the Universal ColorLogic/CrystaLogic LED Light from the LFGUY1000 Niche:** Remove the trim ring by turning it counter clockwise. If removal is difficult, carefully insert a flat head screwdriver in one of the four front slots to help rotate the trim ring. With the trim ring removed, insert a #2 phillips head or any small screwdriver into the access hole as show below (Figure 4). Pushing straight into the hole will release the lock, allowing you to rotate the light counter clockwise. Remove the screwdriver and continue to rotate the light until it can be removed from the light fixture.

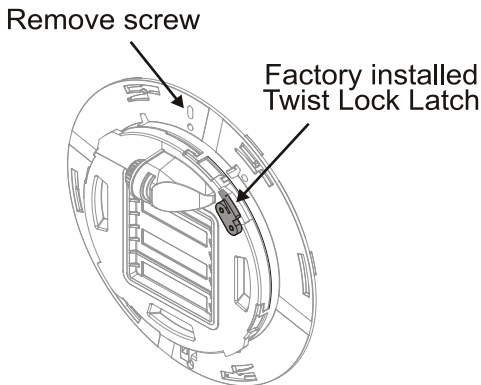


Figure 1

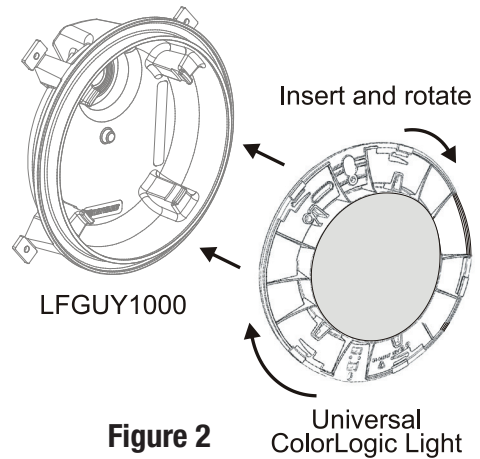


Figure 2

Rotate trim ring until it locks  
(logo should be at 12 o'clock)

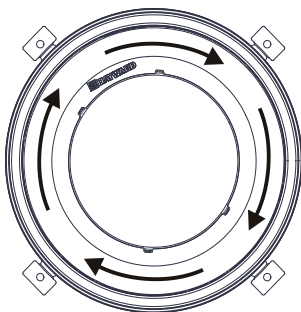


Figure 3

To remove light from LFGUY1000 niche, insert #2 phillips head screwdriver into this hole and rotate light counter-clockwise.

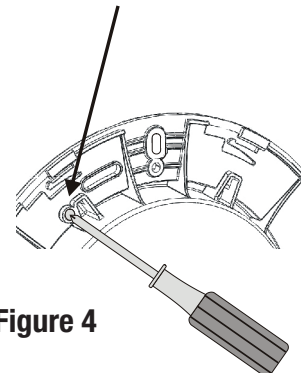


Figure 4



## Mounting the Hayward Universal ColorLogic/CrystaLogic LED Light to other Niches

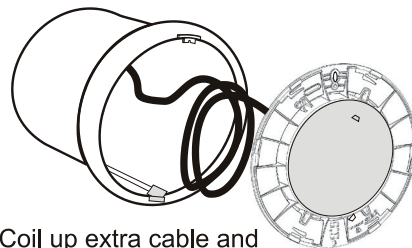
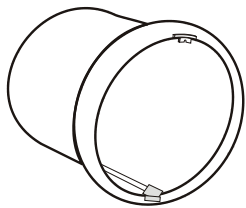
The Hayward Universal ColorLogic/CrystaLogic light is designed to install in virtually all niches. Refer to the chart below for a list of compatible niches and check the Hayward website for the very latest compatibility information. In the interest of improving our products, if you find a niche that we have not listed or if you find that our list is inaccurate, please contact Hayward and provide feedback. We will send you a small gift in exchange for your time.

Hayward®	Purex®
American®	Pentair® (may need to use spacer - see page 8)
Anthony®	Sta-Rite® (may need to drill out tab - see page 8)
CHD®	Swimquip® (may need to drill out tab - see page 8)
Jandy®	Hydrel® (may need to use "tab extender" - see page 8)
PacFab®	Paragon® (may need to use "tab extender" - see page 8)

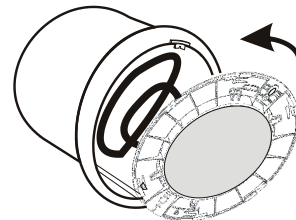
NOTE: You may need additional installation instructions on page 8.

Before starting the installation, remove the trim ring from the light fixture by holding the light fixture firmly and rotating the outer trim ring counterclockwise until it detaches. Note that the light comes with the removable Twist Lock Latch factory installed for mounting into a Hayward niche LTGUY1000. In most cases, the latch will not interfere with other installations. If you find that the latch prevents the installation in your niche, remove it by pulling it off of the two pins.

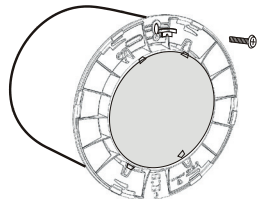
The Universal ColorLogic/CrystaLogic lights have multiple screw and clip positions to fit most every niche. With the trim ring removed, coil up the extra cord and insert it in the niche behind the light fixture. To mount the light fixture, position the fixture with the mounting screw at the top (12 o'clock position). Insert the bottom hook of the light into the niche (6 o'clock position), then pivot the top of the fixture up and secure it with the mounting screw. Be sure the hook on the bottom catches on the niche. Install the trim ring by rotating it clockwise until it locks. When removing the fixture from the niche, remove the trim ring, unscrew the mounting screw, tilt the top of the fixture out, and lift it up and out.



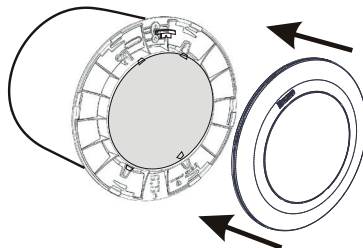
Coil up extra cable and insert in niche.



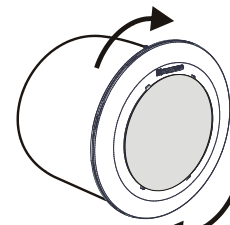
Place hook on bottom of light into niche at 6 o'clock position then pivot top of light into niche.



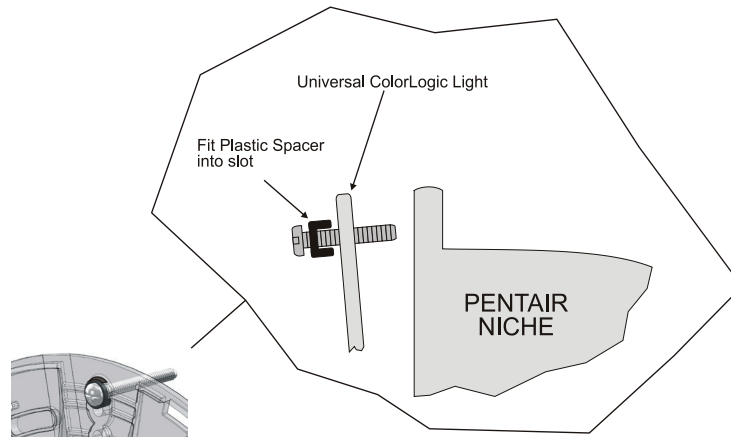
Fasten with included screw.



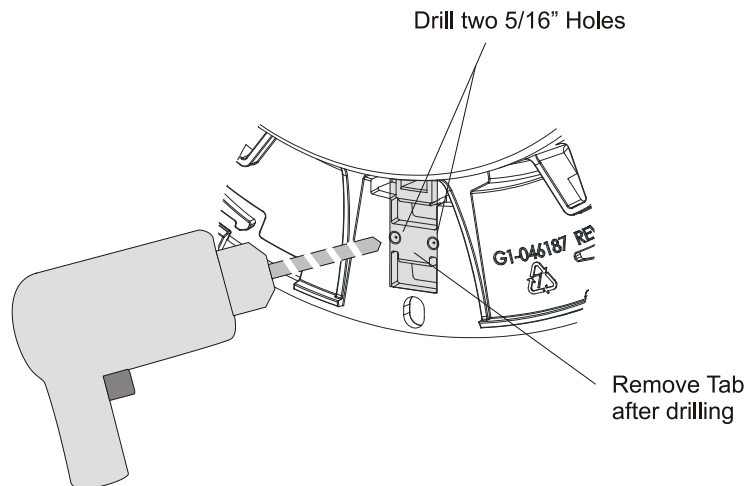
Install Trim Ring with logo positioned at 11 o'clock



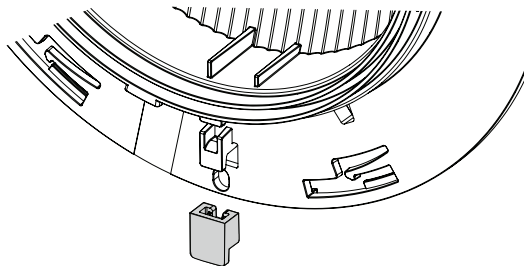
Rotate Trim Ring clockwise until it locks.



For some installations into Pentair® niches, the plastic spacer must be used.



For some installations into Sta-Rite® and SwimQuip® niches, the bottom tab may need to be removed.



For some installations into Pargon® and Hydrel® niches, the "tab extender" LXPADAPT1 (purchased separately) may be required.

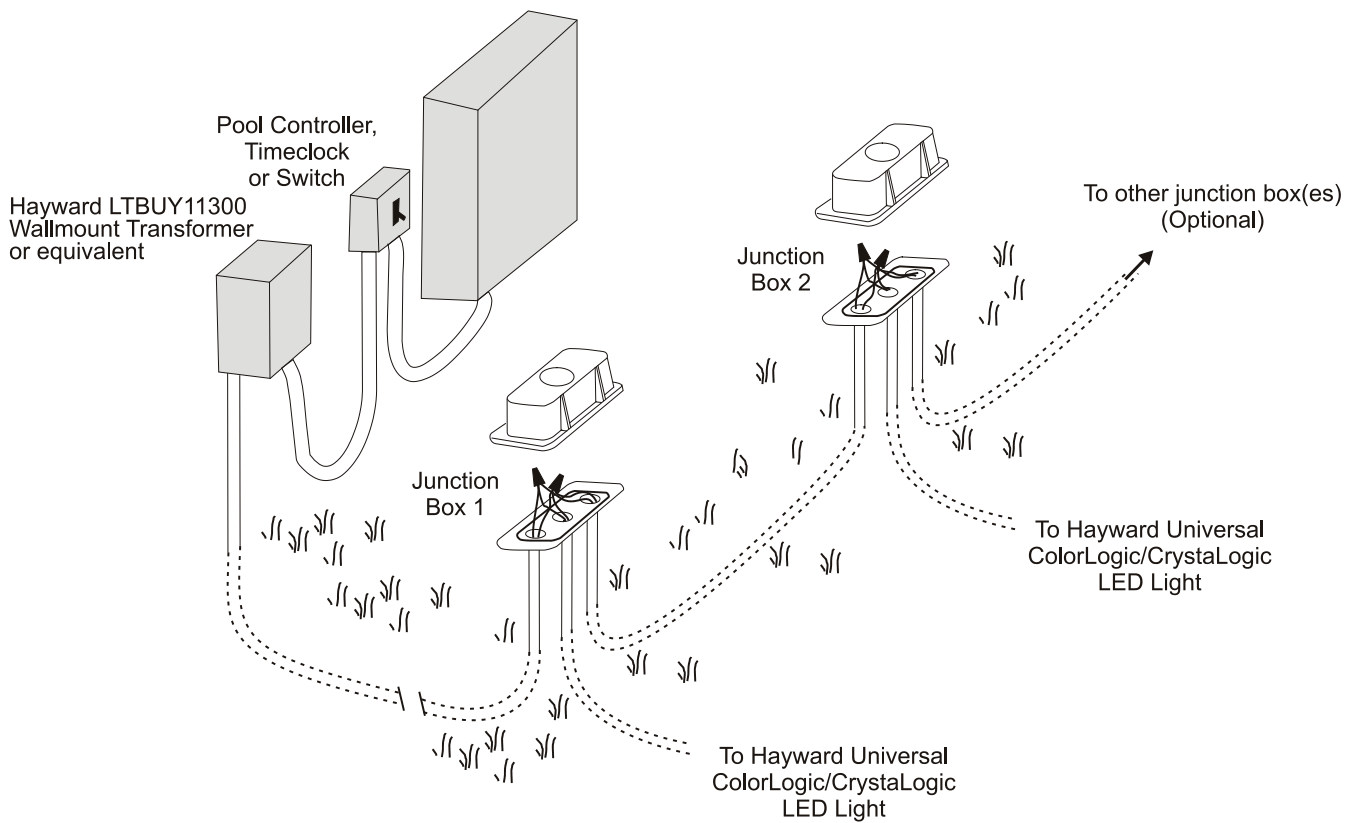




### Install Wiring using a Wallmount Transformer

A suitable transformer must be installed which is agency listed for low-voltage swimming pool and spa lights (Hayward LTBUY11300, Intermatic® model PX100/PX300, or equivalent). The transformer must be rated at or above the total wattage used by all attached light fixtures. Up to four Universal ColorLogic/CrystalLogic LED lights (three pool lights max.) can be connected to a single Hayward LTBUY11300 transformer.

Run conduit from the junction box to the low voltage transformer, pool/spa controller, or switch box. Snake 2 wires through the conduit from the junction box to the power supply. If multiple lights are being installed, run additional conduit/wires from the junction box to the additional junction box(es). When wiring multiple lights to the same 12 volt source, do not exceed the transformers's total rated wattage. Refer to the manufacturer's specifications and instructions for run length and wiring size. Use wire nuts to connect the field-installed wiring to the light fixture cord in the junction box.





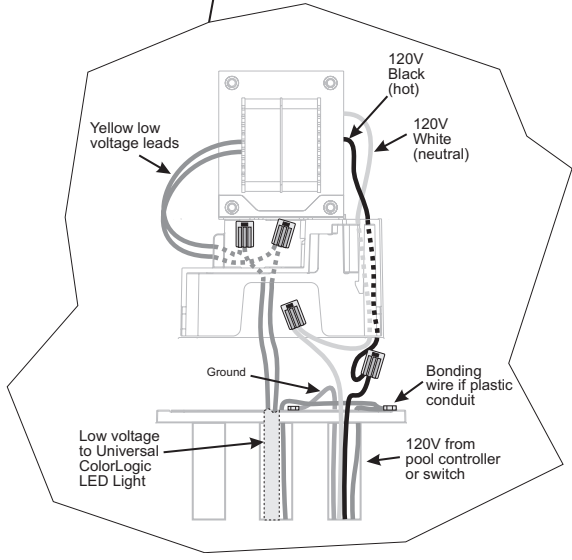
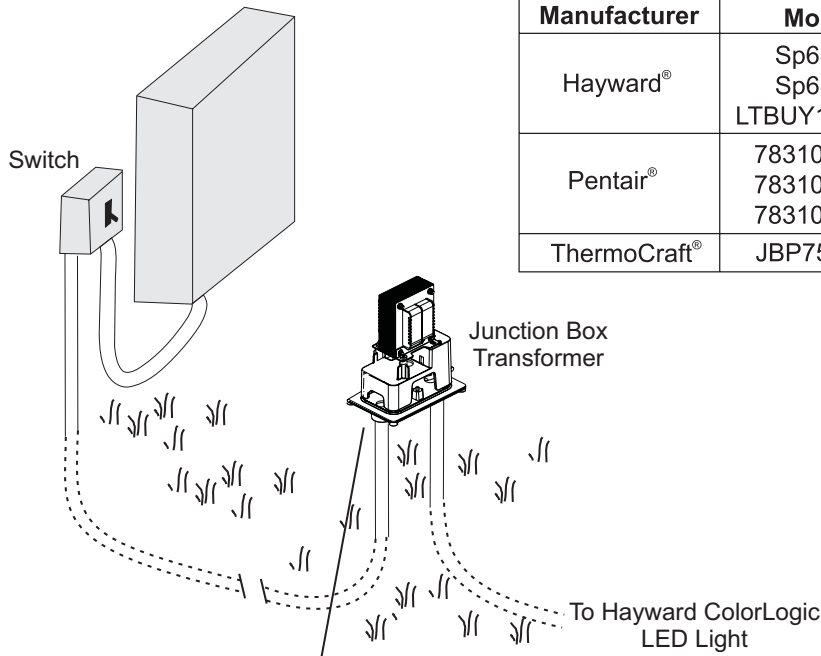
## Install Wiring using a Hayward Junction Box Transformer

Hayward offers pool/spa light transformers designed to fit into various manufacturer's junction boxes. Refer to the table on this page to determine which model transformer will fit your type of junction box. These transformers are designed to power a single Hayward ColorLogic/CrystalLogic LED light. If more than one light is installed, multiple junction box transformers must be used.

**IMPORTANT: 300 watt (LPLUS11xxx) and 500 watt (LPWUS11xxx) CrystalLogic lights must be used with low voltage transformers rated 100 watts or greater. Do not use with Hayward LRBUY11xxx and LTBUY11H65 Junction Box Transformers.**

Run conduit from the junction box transformer to the pool/spa controller or switch box. Snake 3 wires through the conduit. Connect the ground wires to the ground terminal connections inside the junction box. Use wire nuts to connect the field-installed wiring to the 120V side of the transformer and the Universal ColorLogic/CrystalLogic LED light cord to the low voltage side of the transformer. Refer to wiring diagram below.

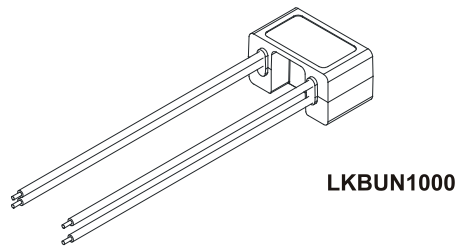
Junction Box Manufacturer	Junction Box Model	Hayward Transformer	Rating	Gang
Hayward®	Sp680 Sp681 LTBUY11H65	LRBUY11H65	70 watt	single
Pentair®	78310500 78310600 78310700	LRBUY11P65	70 watt	single
ThermoCraft®	JBP75175	LRBUY11T65	70 watt	single





### For Network Control Only: Hayward LKBUN1000 Coupler

The Hayward LKBUN1000 is a coupler that is designed to be used with Hayward Pro Logic® PS Pool/Spa Controllers and an AQL-COLOR-MODHV Modem. Together, these components allow the user to have complete network control over the installed Universal ColorLogic light(s) using the Pro Logic Controller using software version 4.45 or greater. When using network control, custom colors and custom light shows can be programmed for each or all lights. An LKBUN1000 is required for each transformer in use and is designed to install into the Hayward LTBUY11300 300 Watt and Hayward Junction Box transformers. Refer to the LKBUN1000 installation manual for mounting and wiring instructions. See “Networking” on page 13.



### Replacement Parts

#### Pool Light Parts

ITEM	PART NUMBER	DESCRIPTION	QTY
1	LN(x)UY1000	Pool Trim Rings	1
2	SPX0800Z1	Metal Light Screw Kit	1
3	SPX0800RW	Spacer Washer for Pool Light	1
4	SPX0800LPAK2	Twist Lock Latch	1
5	LPXADAPT1	Tab Extender	1

#### Spa Light Parts

ITEM	PART NUMBER	DESCRIPTION	QTY
1	LQ(x)UY1000	Spa Trim Rings	1
2	SPX0800Z1	Metal Light Screw Kit	1



## Operation

### Universal ColorLogic Light modes

The Hayward Universal ColorLogic light is designed to operate in one of four modes; Universal ColorLogic, ColorLogic 4.0, ColorLogic 2.5 & earlier and Pentair SAM.

ColorLogic lights can also be used in Networked mode or Omni Direct mode. Networked mode requires a Pro Logic pool controller and Hayward AQL-COLOR-MODHV modem (page 13). For Omni Direct mode, the lights must be built after June 2018 and used with an OmniLogic or OmniHub pool controller (page 13).

**Universal ColorLogic mode (default):** The light is shipped in this mode. Use this mode for new installations and for installations with other Universal ColorLogic lights.

**ColorLogic 4.0 mode:** Use this mode when installing your new light in systems with ColorLogic 4.0 lights. The Universal ColorLogic light will be “seen” as another ColorLogic 4.0 light and will operate in the same manner as the others.

**ColorLogic 2.5 & earlier mode:** Use this mode when installing your new light in systems with ColorLogic 2.5 & below lights. The Universal ColorLogic light will be “seen” as another ColorLogic 2.5 & earlier light and will operate in the same manner as the others.

**Pentair SAM:** Use this mode when installing your new light in systems with Pentair SAM® or SAL® lights. The Universal ColorLogic light will be “seen” as another Pentair SAM®/SAL® light and will operate in the same manner as the others.

**Omni Direct mode:** Omni Direct mode offers unique colors as well as speed and brightness control. It must be configured and controlled by a Hayward OmniLogic or OmniHub pool controller only. Refer to the controller’s manual for more information.

How to change modes:

1. Turn on lights and then turn off for between 11-15 seconds.
2. Turn on lights and then turn off for between 11-15 seconds.
3. Turn on lights and then turn off for between 11-15 seconds.
4. The light should blink one of 5 colors indicating which mode it is currently in. Refer to the table below to determine which mode the Universal ColorLogic is in. Note that new lights are shipped from the factory in Universal ColorLogic mode (blinking red).

MODE	COLOR
Universal ColorLogic	Red
ColorLogic 4.0	Green
ColorLogic 2.5	Blue
Pentair SAM	White
Omni Direct	Purple

5. To change modes, turn light off and back on. The light will then advance to the next mode. Continue this method until you arrive at the desired mode.
6. When the light is in the desired mode, remove power from the lights for at least one minute.
7. The light will restart in the new mode the next time it is turned on.

### CrystaLogic Light Dimming (White Light)

The CrystaLogic light can be adjusted to operate at different light intensities. To change light intensity, follow the procedure below.

1. Turn on lights and then turn off for between 11-15 seconds.
2. Turn on lights and then turn off for between 11-15 seconds.
3. Turn on lights and then turn off for between 11-15 seconds.
4. The light will blink indicating which mode it is currently in:
  - Mode 1 (1 blink) - 100% intensity
  - Mode 2 (2 blinks) - 60% intensity
  - Mode 3 (3 blinks) - Variable intensity, Once the desired mode is saved, the user may select among 5 brightness levels by briefly toggling power (100%, 80%, 60%, 40%, 20%, 40%, 60%, 80%, 100%, 80%, etc.)
5. To change modes, turn light off and back on. The light will then advance to the next mode. Continue this method until you arrive at the desired mode.
6. To save, remove power from the lights for at least one minute.
7. The light will restart in the new mode the next time it is turned on.



## Operating the Universal ColorLogic

The Universal ColorLogic light is controlled through power-cycling: a method of changing light programs which requires no special controller or interface. To activate the light, simply turn on the switch. To deactivate the light, turn off the switch. To advance to the next light program (fixed color or color show), turn the switch off, then back on within 10 seconds.

When the light has been off for over 60 seconds, and is first turned on, it will come on to white for 15 seconds for quick clear view of your pool, then go to the last fixed color or color show it was running.

## Light Synchronization

If your pool or spa has multiple Hayward Universal ColorLogic LED lights, they may be operated independently, or they can be easily synchronized so they will all display the same colors and shows at the same time. For light synchronization, all lights must be wired to the same switch. Once installed, all lights should be automatically synchronized, however, if they get out of sync, they can be re-synchronized easily. To re-synchronize your lights, turn the switch on, then back off, then wait between 11 and 14 seconds and turn the switch back on. When the lights come back on, they should enter program #1, and be synchronized.

## Programs

When in Universal ColorLogic mode (default), the Universal ColorLogic light has the capability to display 17 different programs; 10 fixed colors and 7 color-changing shows. These programs are advanced using power-cycling (quickly powering the lights on, then off, then back on). The programs are listed below:

- |                          |                       |
|--------------------------|-----------------------|
| 1. Show-Voodoo Lounge    | 11. Fixed-Sangria     |
| 2. Fixed-Deep Blue Sea   | 12. Show-Twilight     |
| 3. Fixed-Royal Blue      | 13. Show-Tranquility  |
| 4. Fixed-Afternoon Skies | 14. Show-Gemstone     |
| 5. Fixed-Aqua Green      | 15. Show-USA          |
| 6. Fixed-Emerald         | 16. Show-Mardi Gras   |
| 7. Fixed-Cloud White     | 17. Show-Cool Cabaret |
| 8. Fixed-Warm Red        |                       |
| 9. Fixed-Flamingo        |                       |
| 10. Fixed-Vivid Violet   |                       |

Refer to the included color card as a quick reference to the available programs.

## Omni Direct (Lights built after June, 2018)

LPCUS11xxx and LSCUS11xxx Universal ColorLogic lights must be configured and controlled by a Hayward OmniLogic or OmniHub pool control to use Omni Direct mode. This mode offers some unique colors as well as speed and brightness control. The programs are listed below.

- |                          |                        |                         |
|--------------------------|------------------------|-------------------------|
| 1. Show-Voodoo Lounge    | 10. Fixed-Vivid Violet | 19. Fixed-Orange        |
| 2. Fixed-Deep Blue Sea   | 11. Fixed-Sangria      | 20. Fixed-Gold          |
| 3. Fixed-Royal Blue      | 12. Show-Twilight      | 21. Fixed-Mint          |
| 4. Fixed-Afternoon Skies | 13. Show-Tranquility   | 22. Fixed-Teal          |
| 5. Fixed-Aqua Green      | 14. Show-Gemstone      | 23. Fixed-Burnt Orange  |
| 6. Fixed-Emerald         | 15. Show-USA           | 24. Fixed-Pure White    |
| 7. Fixed-Cloud White     | 16. Show-Mardi Gras    | 25. Fixed-Crisp White   |
| 8. Fixed-Warm Red        | 17. Show-Cool Cabaret  | 26. Fixed-Warm White    |
| 9. Fixed-Flamingo        | 18. Fixed-Yellow       | 27. Fixed-Bright Yellow |

Refer to the OmniLogic or OmniHub manuals for Omni Direct configuration and operation information.

## Networking

Using a ColorLogic modem AQL-COLOR-MODHV and Coupler LKBUN1000, owners of Hayward Pro Logic PS pool/spa controllers using software version 4.45 or greater can network their LSCUN11xxx and/or LPCUN11xxx Universal ColorLogic light(s), allowing them to fully control the color, speed, motion and brightness of preset light shows. If the lights will be networked, refer to the AQL-COLOR-MODHV ColorLogic Network module for programs and operation instructions.



# HAYWARD®

## Troubleshooting

If you have a problem with your Hayward Universal ColorLogic/CrystaLogic light, please try the following tips before calling for service:

**PROBLEM:** Universal ColorLogic Light will not advance to the next program when it is power-cycled (turned "off" and then back "on").

**SOLUTION1:** Do not power-cycle the switch too rapidly. Leave it off for at least 1 second before turning it back on.

**SOLUTION2:** Make sure that the light is in the proper mode (page 12).

**PROBLEM:** Universal ColorLogic Light goes to white whenever it is power-cycled (turned "off" and then back "on").

**SOLUTION:** Be sure that you power-cycle the light for less than 10 seconds.

**PROBLEM:** Multiple Universal ColorLogic Lights are not correctly synchronized.

**SOLUTION:** Verify that the Universal ColorLogic light is in the proper mode (page 12). Follow the steps in these instructions to re-synchronize the lights.

**PROBLEM:** Light will not come on.

**SOLUTION:** Check input power to transformer and then light. Check ground fault and reset if necessary.

**PROBLEM:** Light will not come on or light cycles on and off.

**SOLUTION:** Depending on cord length and operating voltage, automatic thermal switch may be cycling due to excessive air/pool water temperatures (over 105°F). Temporarily switch to a cooler color (Deep Blue Sea, Royal Blue, etc.) until air/water temperatures cool off.

**PROBLEM:** GFCI trips when lights are turned on or off.

**SOLUTION:** Install a Hayward GLX-HAL-XSNUB snubber capacitor across the primary leads (line to neutral) of the transformer on the load side of the light switch or relay.

### Hayward® Pool Products Limited Warranty

To original purchasers of this equipment, Hayward Pool Products, Inc. warrants its Universal ColorLogic® and CrystaLogic™ pool and spa lights, niches, pool light transformers, and couplers to be free from defects in materials and workmanship for a period of ONE (1) year from the date of purchase, when used in single family residential applications.

The limited warranty excludes damage from freezing, negligence, improper installation, improper use or care or any Acts of God. Parts that fail or become defective during the warranty period shall be repaired or replaced, at our option, within 90 days of the receipt of defective product, barring unforeseen delays, without charge.

Proof of purchase is required for warranty service. In the event proof of purchase is not available, the manufacturing date of the product will be the sole determination of the purchase date.

To obtain warranty service, please contact the place of purchase or the nearest Hayward Authorized Service Center. For assistance on your nearest Hayward Authorized Service Center please visit us at [www.hayward.com](http://www.hayward.com).

Hayward shall not be responsible for cartage, removal, repair or installation labor or any other such costs incurred in obtaining warranty replacements or repair.

The Hayward Pool products warranty does not apply to components manufactured by others. For such products, the warranty established by the respective manufacturer will apply.

The express limited warranty above constitutes the entire warranty of Hayward Pool Products with respect to its' pool products and is in lieu of all other warranties expressed or implied, including warranties of merchantability or fitness for a particular purpose. In no event shall Hayward Pool products be responsible for any consequential, special or incidental damages of any nature.

Some states do not allow a limitation on how long an implied warranty lasts, or the exclusion of incidental or consequential damages, so the above limitation may not apply to you. This warranty gives you specific legal rights, and you may also have other rights, which vary from state to state.



### PRODUCT REGISTRATION (Retain For Your Records)

DATE OF INSTALLATION \_\_\_\_\_

Retain this Warranty Certificate (upper portion) in a safe and convenient location for you records.



**DETACH HERE:** Fill out bottom portion completely and mail within 10 days of purchase/installation or register online.

#### UNDERWATER LIGHTING FIXTURE

Please Print Clearly:

First Name \_\_\_\_\_ Last Name \_\_\_\_\_

Street Address \_\_\_\_\_

City \_\_\_\_\_ State \_\_\_\_\_ Zip \_\_\_\_\_

Phone Number \_\_\_\_\_ Purchase Date \_\_\_\_\_

E-Mail Address \_\_\_\_\_

Serial Number

--	--	--	--	--	--	--	--	--	--	--	--	--	--	--	--	--	--	--	--	--	--	--	--

Model Number \_\_\_\_\_

Pool Capacity \_\_\_\_\_ (U.S. Gallons)

Please include me on all e-mail communications regarding Hayward Equipment or promotions.

**Mail to:** Hayward Pool Products, 620 Division Street, Elizabeth, NJ 07207

**Attn:** Warranty Dept

or REGISTER YOUR WARRANTY ONLINE AT [WWW.HAYWARD.COM](http://WWW.HAYWARD.COM)

#### Warranty Card Registration

Years Pool has been in service <input type="checkbox"/> < 1 year <input type="checkbox"/> 1-3 <input type="checkbox"/> 4-5 <input type="checkbox"/> 6-10 <input type="checkbox"/> 11-15 <input type="checkbox"/> >15 Purchased from _____ <input type="checkbox"/> Builder <input type="checkbox"/> Retailer <input type="checkbox"/> Pool Service <input type="checkbox"/> Internet/Catalog Company Name _____ Address _____
Type of Pool: <input type="checkbox"/> Concrete/Gunite <input type="checkbox"/> Fiberglass <input type="checkbox"/> Vinyl
<input type="checkbox"/> New Installation <input type="checkbox"/> Replacement
Installation for: <input type="checkbox"/> In Ground <input type="checkbox"/> Spa <input type="checkbox"/> Both

FOR FURTHER INFORMATION OR CONSUMER  
TECHNICAL SUPPORT, VISIT OUR WEBSITE AT  
**[www.hayward.com](http://www.hayward.com)**



Hayward is a registered trademark and ColorLogic and CrystalLogic are trademarks of Hayward Industries, Inc. © 2019 Hayward Industries, Inc.

All other trademarks not owned by Hayward are the property of their respective owners. Hayward is not in any way affiliated with or endorsed by those third parties.

USE ONLY HAYWARD GENUINE REPLACEMENT PARTS





# Universal ColorLogic® y CrystaLogic™

Lámparas LED

## Manual de instalación y operación

	<b>Contenido</b> Instrucciones de seguridad.....2 Introducción.....3 Instalación.....4 Piezas de repuesto.....11 Operación.....12 Identificación y resolución de problemas.....13 Garantía.....14 Tarjeta de registro.....15
--	---



LPCUS11xxx, LPCUN11xxx  
LSCUS11xxx, LSCUN11xxx  
LPLUS11xxx, LSLUS11xxx  
LPWUS11xxx

Productos para piscinas Hayward  
620 Division Street, Elizabeth NJ 07207  
Teléfono: (908)-3557995  
[www.hayward.com](http://www.hayward.com)



# HAYWARD®

## INSTRUCCIONES DE SEGURIDAD IMPORTANTES

**ADVERTENCIA DE SEGURIDAD:** no abrir. Dentro de la luz no hay piezas que el usuario pueda reparar. Una instalación inadecuada puede causar la muerte o lesiones graves a los bañistas, al personal de servicio o a otras personas debido a una descarga eléctrica. Desconectar la energía eléctrica antes de instalar o reparar este equipo. Leer y seguir todas las instrucciones. La instalación de este producto debe estar solamente a cargo de personal calificado.

**REQUISITO DE PROFUNDIDAD PARA INSTALACIÓN:** salvo por ocasiones donde la lámpara se instale en una zona de la piscina que no se utiliza para nadar y la lente esté adecuadamente protegida para evitar que cualquier persona entre en contacto con ella, la lámpara debe instalarse en una pared o en el suelo de una piscina, spa o cuerpo de agua con la parte superior de la apertura de la lente a no menos de 4 in y no más de 72 in por debajo del nivel normal de agua de la piscina.

Modelo	Entrada (voltios, amperios, vatios)
LPC	14 Vac, 60 Hz, 5 A, 70 W
LS	14 Vac, 60 Hz, 2,5 A, 35 W
LPW/LPL	14 Vac, 60 Hz, 5,4 A, 75 W

## LISTA DE VERIFICACIÓN IMPORTANTE PARA CABLEADO

No omita ningún paso de esta o cualquier otra sección del manual.

- Se han leído y seguido las advertencias de seguridad y todas las instrucciones de instalación de este manual.
- SE HA UTILIZADO UN **TRANSFORMADOR DE AISLAMIENTO PARA PISCINA/SPA** QUE CUMPLE CON LOS REQUISITOS DE SEGURIDAD PARA SUMINISTRAR 14 VOLTIOS A LA LÁMPARA.
- El cableado de salida del transformador NO se ha puesto ni cortocircuitado a tierra.
- La longitud del cable no se ha extendido más allá de las directrices provistas en este manual.
- La cubierta del cable no está dañada, cortada ni empalmada excepto según se indica a continuación.
- Las extensiones o empalmes hacia el cable solamente se realizan en una caja de empalme para piscina/spa o en un sistema de transformador de caja de empalme que cumpla con los requisitos de seguridad.
- La luminaria está firmemente fijada al nicho y no se puede extraer sin el uso de una herramienta.
- El nicho está debidamente unido, SALVO QUE se utilice un nicho Universal ColorLogic de Hayward (LFGUY1000 o LGGUY1000).
- La luminaria ha sido instalada por personal calificado de acuerdo con el Código Eléctrico Nacional (NEC) o el Código Eléctrico Canadiense (Código CE) y los códigos y/o reglamentaciones locales aplicables.

Instalado por: \_\_\_\_\_ de la empresa \_\_\_\_\_ Fecha: \_\_\_\_\_

**ESTAS INSTRUCCIONES DEBEN QUEDAR EN MANOS DEL PROPIETARIO**



## Introducción

Felicitaciones por la compra de una luz LED Universal ColorLogic®/CrystaLogic™ de Hayward®. Bienvenido a un mundo más colorido, traído a usted por Hayward, que genera luz y efectos de color usando un microprocesador para controlar las luces LED rojas, verdes, azules y blancas.

La luz subacuática para piscina o spa Universal ColorLogic/CrystaLogic de Hayward presenta las siguientes características especiales:

1. Luces LED (diodos emisores de luz) de larga duración que pueden durar hasta 10 veces más que las luces incandescentes o halógenas y las luces de spa.
2. Capacidad de múltiples colores sin círculos cromáticos ni piezas móviles que se desgasten.
3. En el modo independiente, las luces Universal ColorLogic ofrecen 17 programas diferentes; 10 colores fijos y 7 exhibiciones de colores.
4. En el modo Omni Direct (requiere un controlador de piscina OmniHub u OmniLogic), las luces Universal ColorLogic LPCUS11xxx y LSCUS11xxx ofrecen 27 programas diferentes; 20 colores fijos y 7 exhibiciones de colores con control total sobre la velocidad y el brillo.
5. Cuando están en red con un controlador de piscina/spa Hayward Pro Logic® (requiere AQL-COLOR-MODHV), las luces Universal ColorLogic LSCUN11xxx y LPCUN11xxx pueden proporcionar 11 exhibiciones y 101 colores de luces fijos con un control total sobre la velocidad, el brillo y el control de movimiento.
6. Los modelos CrystaLogic ofrecen regulación programable (página 12).
7. Ofrece una luz brillante espectacular con bajo consumo de energía. Utiliza hasta 86 % menos de energía que una luz de piscina incandescente típica.

Las lámparas subacuáticas LED Universal ColorLogic y CrystaLogic de Hayward de 12 voltios que usted ha comprado están homologadas por UL para instalarse en todos los alojamientos (nichos) de Hayward o de cualquier otro fabricante.

La instalación de la luz y el nicho debe estar de acuerdo con el Artículo 680 del Código Eléctrico Nacional (NEC) y con cualquier código local aplicable. Asegúrese de que su nicho esté conectado a tierra y unido adecuadamente. NOTA: el perfil bajo LFGUY1000 de Hayward, el nicho fabricado completamente de plástico no requiere unión ni conexión a tierra.

Por contar con un diseño completamente de plástico y con una lente resistente al impacto, estas luces se pueden instalar a tan solo 4 pulgadas (10 cm) por debajo del nivel normal de agua de la piscina o spa hasta la parte superior de la lente. También se pueden instalar hacia arriba sobre un piso sin un protector contra rocas en piscinas, spas, estanques de iluminación, fuentes o caídas de agua.

### **Nota importante al instalar nichos LFGUY1000 en piscinas de hormigón/gunita:**

Nicho LFGUY1000: se provee un protector de gunita/yeso para proteger el nicho y el anillo durante la construcción. El protector está diseñado para instalarse durante el proceso de aplicación de gunita y enyesado. Una vez terminado el proceso de aplicación de gunita, tire de la lengüeta y retire el anillo exterior del protector. Mantenga el protector en su lugar durante el proceso de enyesado y hasta que la luz esté lista para su instalación.

## **ENTREGAR ESTAS INSTRUCCIONES AL PROPIETARIO DE LA PISCINA/SPA DESPUÉS DE LA INSTALACIÓN**

Modelo	Brillo equivalente	Lúmenes
LSLxxxxxx	100W	1000
LPLxxxxxx	300W	3250
LPWxxxxxx	500W	4900

## Instalación

Si reemplaza una luz existente, desconecte la alimentación de la luz del panel antes de iniciar esta instalación. La instalación debe realizarse de acuerdo con los códigos locales y del NEC.

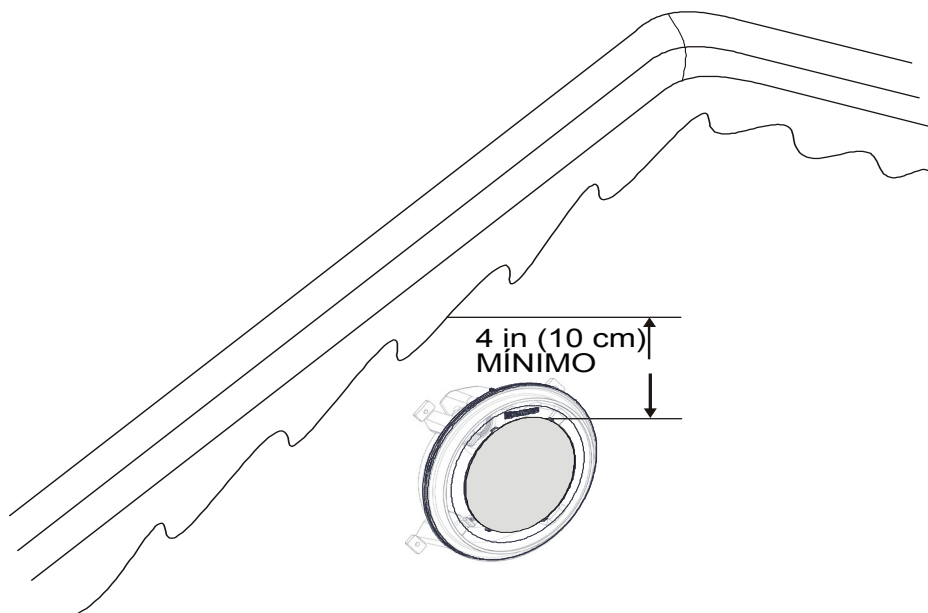
### Longitud del cable y voltaje mínimo requerido

Al instalar las luces de bajo voltaje Universal ColorLogic/CrystalLogic, la longitud del cable tiene un efecto sobre el rendimiento. Para evitar problemas de rendimiento, compruebe que el transformador esté suministrando el voltaje mínimo requerido de acuerdo con la siguiente tabla. Para comprobar este voltaje, mida el voltaje en el transformador mientras la luz esté "encendida" y funcionando en modo "blanco". En algunos casos, se requiere un voltaje mayor a 12 voltios debido a la larga extensión del cable. Algunos transformadores proporcionan tomas de mayor voltaje para este propósito; consulte las instrucciones de instalación del fabricante del transformador para obtener más detalles. Cuando utilice transformadores Hayward u otros que ofrezcan una opción de 14 voltios, le sugerimos que utilice siempre una toma de 14 voltios.

Producto	Longitud total del cable desde el transformador hasta la luz	Tensión mínima requerida en el transformador
Luz de piscina Universal ColorLogic o CrystalLogic de 12 V	30 pies	12-14 voltios
	50 pies	13-14 voltios
	100 pies	14 voltios
Luz de piscina Universal ColorLogic o CrystalLogic de 12 V	30 pies	12-14 voltios
	50 pies	13-14 voltios
	100 pies	14 voltios

### Instalación de nicho (nuevas instalaciones)

**NOTA: Para la instalación de los nichos Hayward, consulte las instrucciones de instalación provistas con la unidad.** La lámpara debe instalarse en una pared o en el piso de la piscina o spa con la parte superior de la lente a no menos de 4 pulgadas (10 cm) por debajo del nivel normal de agua de la piscina, salvo que la lámpara esté instalada en una zona de la piscina que no se utiliza para nadar. Seleccione una ubicación para la(s) lámpara(s) que dará una dispersión óptima de la luz para el diseño de la piscina o spa. Asegúrese de considerar la dirección de la luz emitida y tenga cuidado de no apuntar las luces directamente a la casa o espacios habitables al aire libre.

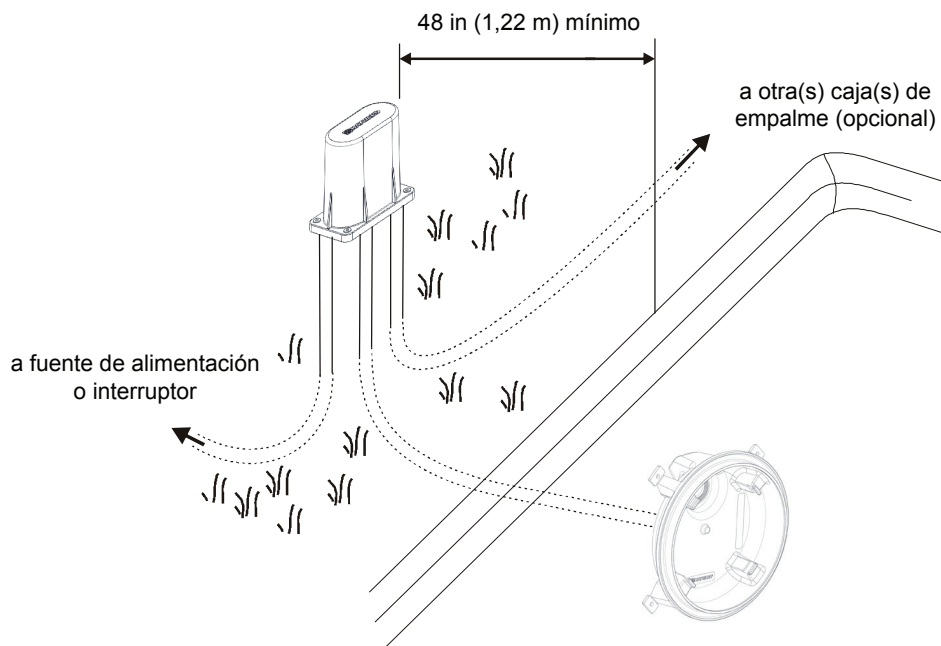


## Instalación de la caja de empalme o del transformador de la caja de empalme

Cuando utilice un transformador de bajo voltaje de montaje en pared, se debe instalar una caja de empalme para conectar a la luz de la piscina/spa. Si se utiliza más de una luz, se necesitará una cantidad adecuada de cajas de empalme de salida simple o doble. Como alternativa, se pueden utilizar juegos de transformadores de caja de empalme de bajo voltaje de Hayward (LTBUY11H65) si se desea utilizar transformadores en línea. Consulte la página 10 para obtener más información.

**IMPORTANTE:** las luces CrystalLogic de 300 vatios (LPLUS11xxx) y 500 vatios (LPWUS11xxx) se deben utilizar con transformadores de bajo voltaje de 100 vatios o más. No utilizar con transformadores de caja de empalme LRBUY11xxx y LTBUY11H65 de Hayward.

Las cajas de empalme deben instalarse a no menos de 48 pulgadas (1,22 m) del borde de la piscina o spa. Extienda el conducto desde el nicho hasta la caja de empalme de modo que esta no esté a menos de 8 pulgadas (20 cm) por encima del nivel de agua máximo de la piscina o del spa, o a no menos de 4 pulgadas (10 cm) por encima del suelo, lo que resulte mayor. Se debe extender un conducto adicional desde la caja de empalme hasta la fuente de alimentación, el panel del interruptor, el controlador de la piscina/spa, etc.



## Montaje de luz LED Universal ColorLogic/CrystalLogic de Hayward en el nicho LFGUY1000 de Hayward

NOTA: asegúrese de que el anillo de ajuste esté separado de la luz antes de intentar instalarlo. Gire el anillo de ajuste en sentido horario para separarlo. Puede que tenga que utilizar suavemente un destornillador en una de las 4 ranuras (ubicadas en las posiciones de las horas 1, 5, 7 y 11) para ayudar a girar el anillo de ajuste.

La luz Universal ColorLogic/CrystalLogic ofrece un diseño único sin herramientas si se utiliza con el nicho LFGUY1000. Para preparar la instalación, retire el tornillo de montaje y el espaciador de la parte superior de la luz (esto no será necesario) y verifique que el pestillo de bloqueo giratorio esté instalado (Figura 1). El pestillo es extraíble y se incluyen adicionales con el nicho. El pestillo de bloqueo giratorio permitirá que la luz se fije al nicho LFGUY1000 sin necesidad de utilizar herramientas.

Enrolle de 3 a 4 pies de cable extra (se puede enrollar hasta 15 pies si es necesario) e insértelo en el nicho LFGUY1000. Para montar la luz, insértela en el nicho con el orificio de montaje ubicado en la posición de las 11 horas. Gire la lámpara en sentido horario hasta que encaje firmemente. El orificio de montaje debería estar ahora en la posición de las 12 horas (Figura 2).

Instale el anillo de ajuste colocando el logotipo de HAYWARD en la posición de las 11 horas en la lámpara. Gire el anillo de ajuste en sentido horario hasta que encaje firmemente. El logotipo de Hayward debería estar ahora en la posición de las 12 horas (Figura 3).

**Extracción de la luz LED Universal ColorLogic/CrystalLogic del nicho LFGUY1000:** extraiga el anillo de ajuste girándolo en sentido antihorario. Si la extracción es difícil, inserte cuidadosamente un destornillador de cabeza plana en una de las cuatro ranuras frontales para ayudar a girar el anillo de ajuste. Una vez extraído, inserte un destornillador Phillips n.º 2 o cualquier destornillador pequeño en el orificio de acceso como se muestra a continuación (Figura 4). Empujar directamente en el agujero hará que el bloqueo se libere, permitiéndole girar la luz en sentido antihorario. Retire el destornillador y continúe girando la luz hasta que pueda extraerla de la lámpara.

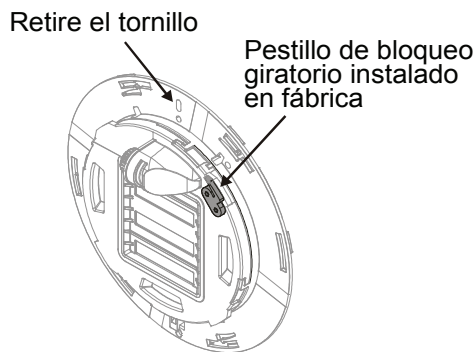


Figura 1

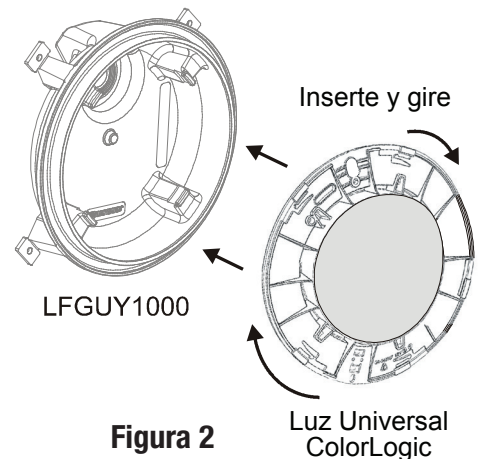


Figura 2

Gire el anillo de ajuste hasta que se bloquee (el logotipo debe estar en la posición de las 12 horas)

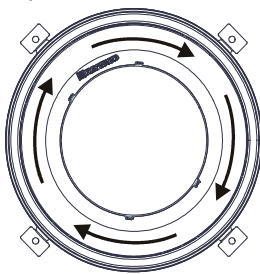


Figura 3

Para quitar la luz del nicho LFGUY1000, inserte la cabeza de un destornillador Phillips n.º 2 en este orificio y gire la luz en sentido antihorario.

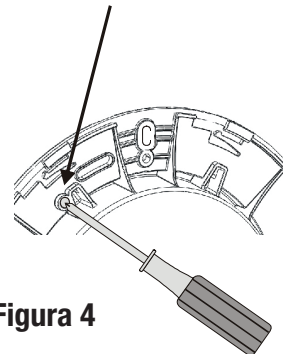


Figura 4

## Montaje de luz LED Universal ColorLogic/CrystaLogic de Hayward en otros nichos

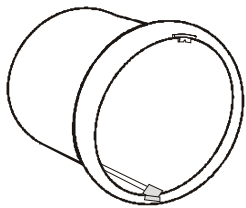
La luz Universal ColorLogic/CrystaLogic de Hayward está diseñada para instalarse en prácticamente todos los nichos. Consulte la siguiente tabla para obtener una lista de nichos compatibles y consulte el sitio web de Hayward para obtener la información de compatibilidad más reciente. En el interés de mejorar nuestros productos, si usted encuentra un nicho que no tenemos listado o si encuentra que nuestra lista es imprecisa, póngase en contacto con Hayward y bríndenos sus comentarios. Le enviaremos un pequeño regalo a cambio de su tiempo.

Hayward®	Purex®
American®	Pentair® (puede necesitar un espaciador, ver página 8)
Anthony®	Sta-Rite® (puede necesitar perforar la lengüeta, ver página 8)
CHD®	Swimquip® (puede necesitar perforar la lengüeta, ver página 8)
Jandy®	Hydrel® (puede necesitar perforar la lengüeta, ver página 8)
PacFab®	Paragon® (puede necesitar perforar la lengüeta, ver página 8)

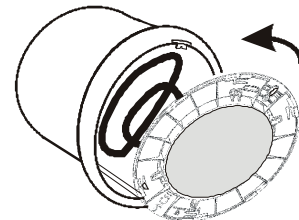
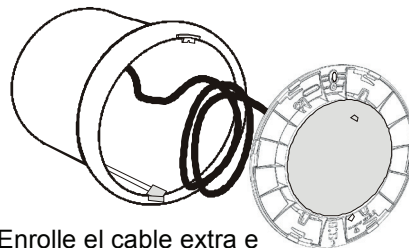
NOTA: es posible que necesite las instrucciones de instalación adicionales que se proporcionan en la página 8.

Antes de comenzar la instalación, retire el anillo de ajuste de la lámpara sujetándola firmemente y gire el anillo de ajuste exterior en sentido antihorario hasta que se suelte. Tenga en cuenta que la luz se suministra con un pestillo de bloqueo giratorio extraíble instalado para montar en un nicho LTGUY1000 de Hayward. En la mayoría de los casos, el pestillo no interferirá con otras instalaciones. Si encuentra que el pestillo impide la instalación en su nicho, retírelo tirando de las clavijas.

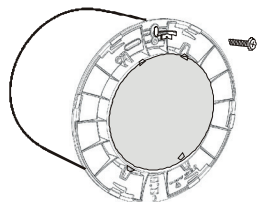
Las luces Universal ColorLogic/CrystaLogic tienen múltiples posiciones de tornillo y clips que se adaptan a la mayoría de nichos. Una vez retirado el anillo de ajuste, enrolle el cable extra e insértelo en el nicho detrás de la lámpara. Para montar la lámpara, colóquela con el tornillo de montaje en la parte superior (en la posición de las 12 horas). Inserte el gancho inferior de la luz en el nicho (en la posición de las 6 horas), luego gire la parte superior de la lámpara hacia arriba y asegúrela con el tornillo de montaje. Asegúrese de que el gancho en la parte inferior se sujete al nicho. Instale el anillo de ajuste girándolo en sentido horario hasta que se bloquee. Cuando retire la lámpara del nicho, retire el anillo de ajuste, desenrosque el tornillo de montaje, incline la parte superior de la lámpara hacia afuera y levántela hacia arriba y hacia fuera.



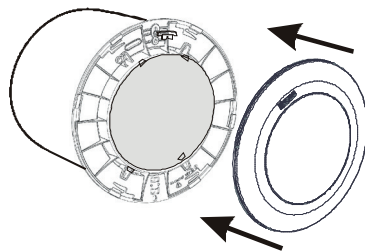
Enrolle el cable extra e inserte en el nicho.



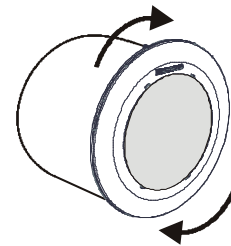
Coloque el gancho en la parte inferior de la luz dentro del nicho en la posición de las 6 horas y luego pivote la parte superior de la luz hacia el nicho.



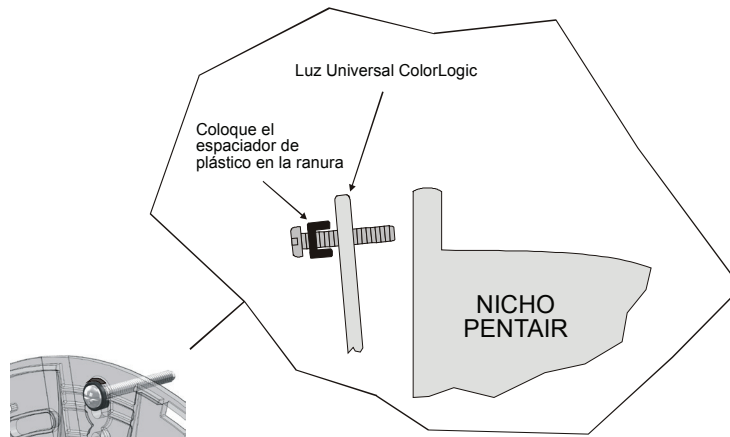
Sujete con el tornillo incluido.



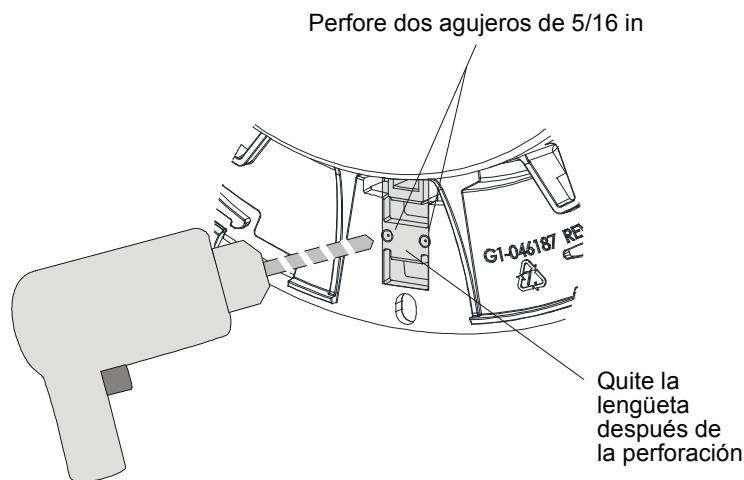
Instale el anillo de ajuste con el logotipo ubicado en la posición de las 11 horas.



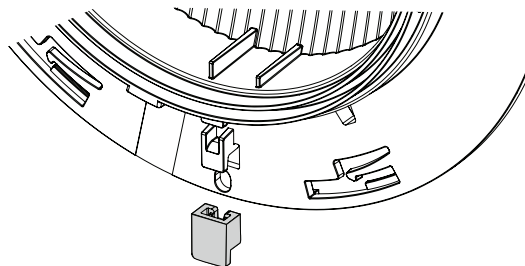
Gire el anillo de ajuste en sentido de horario hasta que se bloquee.



Para algunas instalaciones en los nichos Pentair®, se debe utilizar el espaciador de plástico.



Para algunas instalaciones en los nichos Sta-Rite® y SwimQuip®, puede ser necesario retirar la lengüeta inferior.



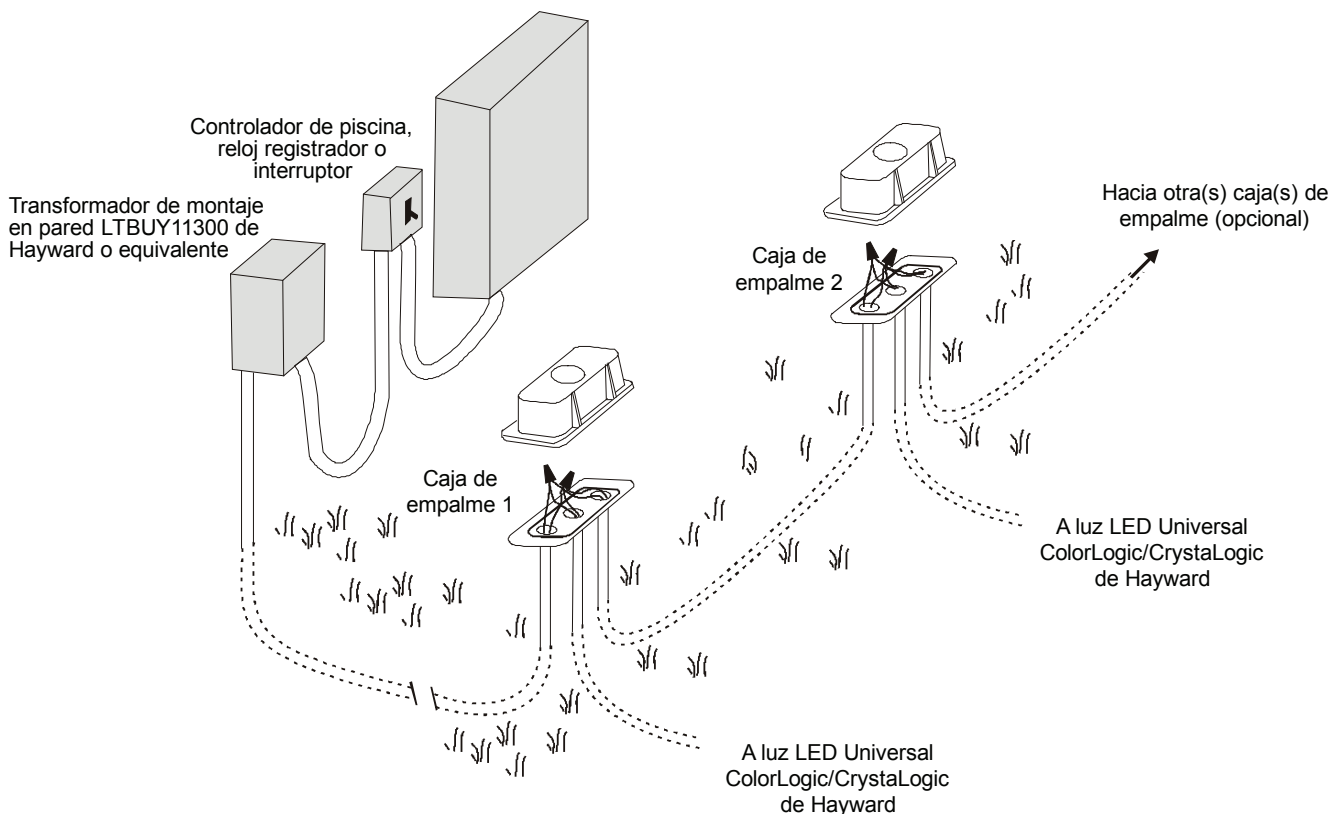
Para algunas instalaciones en los nichos Pargon® y Hydrel®, se puede requerir el "extensor de lengüetas" LPXA-DAPT1 (se vende por separado).



## Instalación de cableado utilizando un transformador de montaje a pared

Se debe instalar un transformador adecuado que esté en la lista de la agencia para luces de bajo voltaje para piscinas y spa (Hayward LTBUY11300, Intermatic® modelo PX100/PX300 o equivalente). El transformador debe tener un vataje igual o superior al vataje total utilizado por todas las lámparas conectadas. Se pueden conectar hasta cuatro luces LED Universal ColorLogic/CrystaLogic (tres luces para piscina máximo) a un solo transformador LTBUY11300 de Hayward.

Extienda el conducto desde la caja de empalme al transformador de bajo voltaje, controlador de piscina/spa o caja de interruptor. Pase 2 cables a través del conducto desde la caja de empalme hasta la fuente de alimentación. Si se instalan varias luces, coloque conductos/cables adicionales desde la caja de empalme hasta las cajas de empalme adicionales. Al conectar múltiples luces a la misma fuente de 12 voltios, no exceda el vataje nominal total de los transformadores. Consulte las especificaciones e instrucciones del fabricante para conocer la longitud y el tamaño del cableado. Utilice tuercas de cable para conectar el cableado instalado en campo al cable de la lámpara en la caja de empalme.

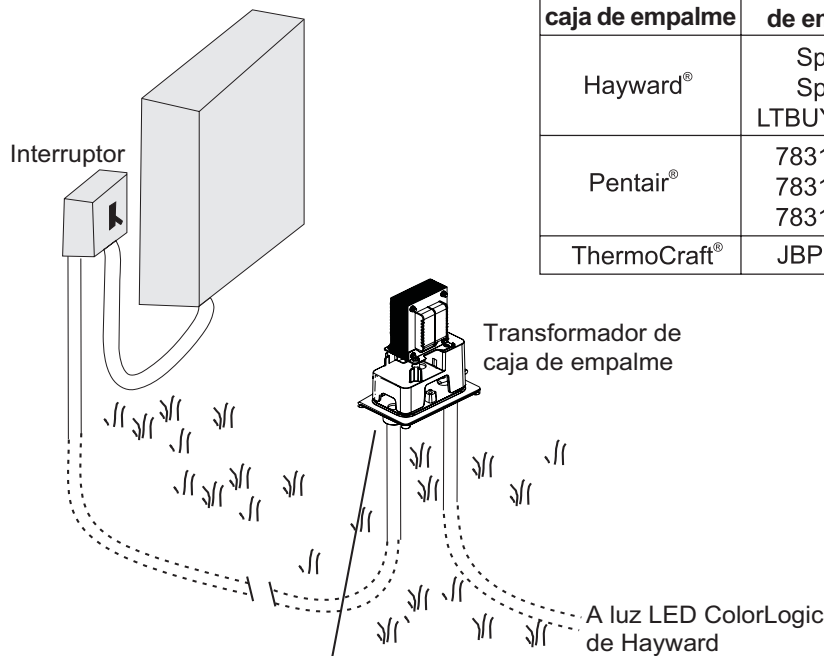


## Instalación de cableado utilizando un transformador de caja de empalme de Hayward

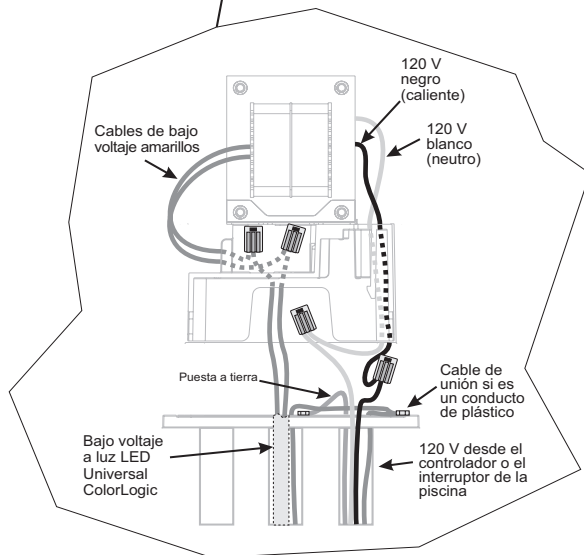
Hayward ofrece transformadores de luz para piscina/spa diseñados para que se adapten a diversas cajas de empalme del fabricante. Consulte la tabla que se encuentra en esta página para determinar el modelo de transformador que se ajustará a su tipo de caja de empalme. Estos transformadores están diseñados para alimentar una sola luz LED ColorLogic/CrystalLogic de Hayward. Si se instala más de una luz, se deben utilizar múltiples transformadores de caja de empalme.

**IMPORTANTE:** las luces CrystalLogic de 300 vatios (LPLUS11xxx) y 500 vatios (LPWUS11xxx) se deben utilizar con transformadores de bajo voltaje de 100 vatios o más. No utilizar con transformadores de caja de empalme LRBUY11xxx y LTBUY11H65 de Hayward.

Extienda el conducto desde el transformador de la caja de empalme hasta el controlador de la piscina/spa o caja del interruptor. Pase 3 cables a través del conducto. Conecte los cables de tierra a las conexiones de los terminales de tierra dentro de la caja de empalme. Utilice tuercas de cable para conectar el cableado instalado en el campo al lado de 120 V del transformador, y el cable de luz LED Universal ColorLogic/CrystalLogic al lado de bajo voltaje del transformador. Consulte el siguiente diagrama de cableado.

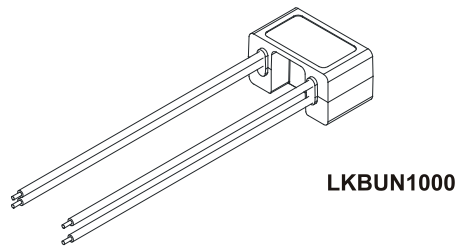


Fabricante de caja de empalme	Modelo de caja de empalme	Transformador de Hayward	Clasificación	Salidas
Hayward®	Sp680 Sp681 LTBUY11H65	LRBUY11H65	70 vatios	una
Pentair®	78310500 78310600 78310700	LRBUY11P65	70 vatios	una
ThermoCraft®	JBP75175	LRBUY11T65	70 vatios	una



### Solo para control de red: acoplador LKBUN1000 de Hayward

El LKBUN1000 de Hayward es un acoplador diseñado para utilizarse con los controladores para piscina/spa Pro Logic® PS de Hayward y un módem AQL-COLOR-MODHV. Juntos, estos componentes permiten al usuario tener un control de red completo sobre las luces Universal ColorLogic instaladas haciendo uso del controlador Pro Logic con la versión de software 4.45 o una más reciente. Cuando utiliza el control de red, se pueden programar colores personalizados y exhibiciones de luces personalizadas para cada una o todas las luces. Se necesita un LKBUN1000 para cada transformador en uso, y este acoplador está diseñado para instalarse en los transformadores LTBUY11300 de 300 vatios y los transformadores de caja de empalme de Hayward. Consulte el manual de instalación del LKBUN1000 para conocer las instrucciones de montaje y cableado. Consulte "Conexión en red" en la página 13.



### Piezas de repuesto

#### Piezas de luz de la piscina

ARTÍCULO	NÚMERO DE PIEZA	DESCRIPCIÓN	CANT.
1	LN(x)UY1000	Anillos de ajuste de la piscina	1
2	SPX0800Z1	Juego de tornillos para luz de metal	1
3	SPX0800RW	Arandela espaciadora para la luz de la piscina	1
4	SPX0800LPAK2	Pestillo de bloqueo giratorio	1
5	LPXADAPT1	Extensor de lengüeta	1

#### Piezas de luz del spa

ARTÍCULO	NÚMERO DE PIEZA	DESCRIPCIÓN	CANT.
1	LQ(x)UY1000	Anillos de ajuste de spa	1
2	SPX0800Z1	Juego de tornillos para luz de metal	1



## Operación

### Modos de luz de Universal ColorLogic

La luz Universal ColorLogic de Hayward está diseñada para funcionar en uno de cuatro modos: Universal ColorLogic (predeterminado), ColorLogic 4.0, ColorLogic 2.5 y anteriores y Pentair SAM.

Las luces ColorLogic también se pueden usar en modo En red o en modo Omni Direct. El modo en red requiere un controlador de piscina Pro Logic y un módem Hayward AQL-COLOR-MODHV (página 13). Para el modo Omni Direct, las luces deben haber sido fabricadas después de junio de 2018 y usarse con un controlador de piscina OmniLogic u OmniHub (página 13).

**Modo Universal ColorLogic (predeterminado):** la luz se envía en este modo. Utilice este modo para instalaciones nuevas y para instalaciones con otras luces Universal ColorLogic.

**Modo ColorLogic 4.0:** utilice este modo cuando instale su nueva luz en los sistemas con luces ColorLogic 4.0. La luz Universal ColorLogic será "vista" como otra luz ColorLogic 4.0 y funcionará de la misma manera que las otras.

**ColorLogic 2.5 y modo anterior:** utilice este modo cuando instale su nueva luz en los sistemas con luces ColorLogic 2.5 e inferiores. La luz Universal ColorLogic se "verá" como otra luz ColorLogic 2.5 y anterior, y funcionará de la misma manera que las otras.

**Pentair SAM:** utilice este modo cuando instale su nueva luz en sistemas con luces Pentair SAM® o SAL®. La luz Universal ColorLogic será "vista" como otra luz Pentair SAM®/SAL®, y funcionará de la misma manera que las otras.

**Modo Omni Direct:** El modo Omni Direct ofrece colores únicos, así como control de velocidad y brillo. Debe configurarse y controlarse únicamente con un controlador de piscina OmniLogic u OmniHub de Hayward. Consulte el manual del controlador para obtener más información.

Cómo cambiar los modos:

1. Encienda las luces y luego apáguelas de 11 a 15 segundos.
2. Encienda las luces y luego apáguelas de 11 a 15 segundos.
3. Encienda las luces y luego apáguelas de 11 a 15 segundos.
4. La luz debe parpadear en uno de los 4 colores indicando el modo en que se encuentra actualmente. Consulte la siguiente tabla para determinar en qué modo se encuentra Universal ColorLogic. Observe que las luces nuevas se envían de fábrica en el modo Universal ColorLogic (parpadeo rojo).

MODO	COLOR
Universal ColorLogic	Rojo
ColorLogic 4.0	Verde
ColorLogic 2.5	Azul
Pentair SAM	Blanco
Omni Direct	Purple

5. Para cambiar los modos, apague la luz y enciéndala nuevamente. La luz avanzará entonces al siguiente modo. Continúe con este método hasta llegar al modo deseado.
6. Cuando la luz esté en el modo deseado, desconecte la alimentación de las luces por lo menos un minuto.
7. La luz se reiniciará en el nuevo modo la próxima vez que se encienda.

### Regulación de luz CrystaLogic (luz blanca)

La luz CrystaLogic se puede ajustar para operar en diferentes intensidades de luz. Para cambiar la intensidad de la luz, siga el siguiente procedimiento.

1. Encienda las luces y luego apáguelas de 11 a 15 segundos.
2. Encienda las luces y luego apáguelas de 11 a 15 segundos.
3. Encienda las luces y luego apáguelas de 11 a 15 segundos.
4. La luz parpadeará indicando en qué modo se encuentra actualmente.
  - Modo 1 (1 parpadeo): 100 % de intensidad
  - Modo 2 (2 parpadeos): 60 % de intensidad
  - Modo 3 (3 parpadeos): intensidad variable. Una vez guardado el modo deseado, el usuario puede seleccionar entre 5 niveles de brillo alternando brevemente la alimentación (100 %, 80 %, 60 %, 40 %, 20 %, 40 %, 60 %, 80 %, 100 %, 80 %, etc.)
5. Para cambiar los modos, apague la luz y enciéndala nuevamente. La luz avanzará entonces al siguiente modo. Continúe con este método hasta llegar al modo deseado.



6. Para guardar, desconecte la alimentación de las luces durante al menos un minuto.
7. La luz se reiniciará en el nuevo modo la próxima vez que se encienda.

## Funcionamiento de Universal ColorLogic

La luz Universal ColorLogic se controla mediante reinicio: un método para cambiar programas de luz que no requiere ningún controlador o interfaz especial. Para activar la luz, simplemente encienda el interruptor. Para desactivar la luz, apague el interruptor. Para avanzar al siguiente programa de luz (color fijo o exhibición de colores), apague el interruptor y vuelva a encenderlo dentro de los 10 segundos.

Cuando la luz ha estado apagada por más de 60 segundos y se enciende por primera vez, el color de la luz será blanco durante 15 segundos para una vista rápida y clara de su piscina, y luego pasará al último color fijo o exhibición de colores que estaba funcionando.

## Sincronización de luz

Si su piscina o spa tiene múltiples luces LED Universal ColorLogic de Hayward, estas pueden operarse de forma independiente o pueden sincronizarse fácilmente para que todas muestren los mismos colores y exhibiciones al mismo tiempo. Para la sincronización de luz, todas las luces deben estar conectadas al mismo interruptor. Una vez instaladas, todas las luces deben sincronizarse automáticamente; sin embargo, si pierden la sincronización, se pueden volver a sincronizar fácilmente. Para volver a sincronizar sus luces, encienda el interruptor, luego apáguelo, luego espere de 11 a 14 segundos y vuelva a encenderlo. Cuando las luces vuelven a encenderse, deben ingresar al programa n.º 1 y sincronizarse.

## Programas

Cuando esté el modo Universal ColorLogic (predeterminado), la luz Universal ColorLogic tiene la capacidad de mostrar 17 programas diferentes: 10 colores fijos y 7 exhibiciones que cambian de color. Se avanza por estos programas utilizando el reinicio (encendiendo rápidamente las luces, luego apagándolas, y luego encendiéndolas nuevamente). Los programas se enumeran a continuación:

- |                              |                                    |
|------------------------------|------------------------------------|
| 1. Exhibición: Voodoo Lounge | 10. Fijo: Violeta intenso          |
| 2. Fijo: Mar azul profundo   | 11. Fijo: Sangría                  |
| 3. Fijo: Azul real           | 12. Exhibición: Crepúsculo         |
| 4. Fijo: Cielo de atardecer  | 13. Exhibición: Tranquilidad       |
| 5. Fijo: Verde agua          | 14. Exhibición: Piedra preciosa    |
| 6. Fijo: Esmeralda           | 15. Exhibición: Estados Unidos     |
| 7. Fijo: Blanco nube         | 16. Exhibición: Martes de Carnaval |
| 8. Fijo: Rojo cálido         | 17. Exhibición: Cabaret fabuloso   |
| 9. Fijo: Flamenco            |                                    |

Consulte la tarjeta de color incluida como una referencia rápida de los programas disponibles.

Omni Direct (luces fabricadas después de junio de 2018)

Las luces Universal ColorLogic LPCUS11xxx y LSCUS11xxx deben configurarse y controlarse mediante un control de piscina Hayward OmniLogic u OmniHub para usar el modo Omni Direct. Este modo ofrece algunos colores únicos, así como control de velocidad y brillo. Los programas se enumeran a continuación.

- |                              |                                    |                              |
|------------------------------|------------------------------------|------------------------------|
| 1. Exhibición: Voodoo Lounge | 10. Fijo: Violeta intenso          | 19. Fijo: Naranja            |
| 2. Fijo: Mar azul profundo   | 11. Fijo: Sangría                  | 20. Fijo: Oro                |
| 3. Fijo: Azul real           | 12. Exhibición: Crepúsculo         | 21. Fijo: Menta              |
| 4. Fijo: Cielo de atardecer  | 13. Exhibición: Tranquilidad       | 22. Fijo: Cerceta            |
| 5. Fijo: Verde agua          | 14. Exhibición: Gema               | 23. Fijo: Naranja oscuro     |
| 6. Fijo: Esmeralda           | 15. Exhibición: EE. UU.            | 24. Fijo: Blanco puro        |
| 7. Fijo: Nube blanca         | 16. Exhibición: Martes de Carnaval | 25. Fijo: Blanco brillante   |
| 8. Fijo: Rojo cálido         | 17. Exhibición: Cabaret fabuloso   | 26. Fijo: Blanco cálido      |
| 9. Fijo: Flamenco            | 18. Fijo: Amarillo                 | 27. Fijo: Amarillo brillante |

Consulte los manuales de OmniLogic u OmniHub para obtener información sobre la configuración y el funcionamiento de Omni Direct.

## Redes

Utilizando un módem ColorLogic AQL-COLOR-MODHV y el acoplador LKBUN1000, los propietarios de los controladores para piscinas/spa Pro Logic PS de Hayward que usan la versión de software 4.45 o una más reciente pueden conectar en red sus luces Universal ColorLogic LSCUN11xxx y/o LPCUN11xxx, permitiéndoles controlar completamente el color, la velocidad, el movimiento y el brillo de las exhibiciones de luz preestablecidas. Si las luces están conectadas en red, consulte el módulo de red ColorLogic AQL-COLOR-MODHV para conocer los programas y las instrucciones de operación.



# HAYWARD®

## Identificación y resolución de problemas

Si tiene un problema con su luz Universal ColorLogic/CrystalLogic de Hayward, intente los siguientes consejos antes de llamar al servicio técnico:

**PROBLEMA:** la luz Universal ColorLogic no avanza al siguiente programa cuando se reinicia (se apaga y luego se enciende nuevamente).  
**SOLUCIÓN1:** no reinicie el interruptor demasiado rápido. Déjelo apagado por al menos 1 segundo antes de encenderlo nuevamente.  
**SOLUCIÓN2:** verifique que la luz Universal ColorLogic esté en el modo adecuado (página 12).

**PROBLEMA:** la luz Universal ColorLogic se vuelve blanca cada vez que se reinicia (se apaga y luego se enciende nuevamente).  
**SOLUCIÓN:** asegúrese de reiniciar la luz durante menos de 10 segundos.

**PROBLEMA:** varias luces Universal ColorLogic no están correctamente sincronizadas.  
**SOLUCIÓN:** verifique que la luz Universal ColorLogic esté en el modo adecuado (página 12). Siga los pasos de estas instrucciones para sincronizar las luces nuevamente.

**PROBLEMA:** la luz no se enciende.  
**SOLUCIÓN:** compruebe la alimentación de entrada al transformador y luego la luz. Compruebe la falla a tierra y reinicie si es necesario.

**PROBLEMA:** la luz no se enciende o la luz se enciende y apaga cíclicamente.  
**SOLUCIÓN:** dependiendo de la longitud del cable y del voltaje de funcionamiento, el interruptor térmico automático puede estar en ciclo debido a temperaturas excesivas del aire/agua de la piscina (más de 105 °F). Cambie temporalmente a un color más frío (mar azul profundo, azul real, etc.) hasta que las temperaturas del aire/agua se enfríen.

**PROBLEMA:** GFCI se dispara cuando las luces están encendidas o apagadas.  
**SOLUCIÓN:** instale un condensador de supresión GLX-HAL-XSNUB de Hayward a través de los cables primarios del transformador en el lado de carga del interruptor de luz o relé.

### Garantía limitada de Hayward® Pool Products

A los compradores originales de este equipo, Hayward Pool Products, Inc. les garantiza que las luces de piscina y spa Universal ColorLogic® y CrystalLogic™, los nichos, los transformadores de luces para piscina y los acopladores carecen de defectos en lo que respecta a los materiales y mano de obra durante un período de UN (1) año a partir de la fecha de compra, cuando se los utilice en aplicaciones residenciales de una sola familia.

La garantía limitada excluye los daños que resulten por congelamiento, negligencia, instalación inadecuada, uso o cuidado inadecuados o catástrofes naturales. Las piezas que fallen o se vuelvan defectuosas durante el período de garantía se repararán o reemplazarán, según nuestro criterio, dentro de los 90 días de la recepción del producto defectuoso, salvo retrasos imprevistos, sin costo alguno.

Se requiere una evidencia de compra para proporcionar el servicio de la garantía. En caso de que no haya una evidencia de compra disponible, la fecha de fabricación del producto será el único factor que determine la fecha de compra.

Para obtener el servicio de la garantía, comuníquese con el lugar de adquisición o el Centro de Servicio Autorizado de Hayward más cercano. Para obtener asistencia en el Centro de Servicio Autorizado de Hayward más cercano, visite [www.hayward.com](http://www.hayward.com).

Hayward no será responsable por el transporte, la extracción, la reparación, los trabajos de instalación o cualquier otro tipo de costos en los que se haya incurrido para obtener repuestos o reparaciones en garantía.

La garantía de los productos para piscinas de Hayward no se aplica a componentes fabricados por otras compañías. Para dichos productos, se aplicará la garantía establecida por los respectivos fabricantes.

La garantía limitada expresa mencionada anteriormente constituye la garantía total de Hayward Pool Products relativa a sus productos para piscinas y sustituye a cualquier otra garantía expresa o implícita, incluidas las garantías de comerciabilidad o idoneidad para un fin particular. En ningún caso Hayward Pool Products será responsable de daños consecuentes, especiales o incidentales de ninguna naturaleza.

Algunos estados no permiten que se establezca un límite en la duración de una garantía, o la exclusión de daños incidentales o consecuentes, en cuyo caso no se aplica la limitación anterior. Esta garantía le proporciona derechos legales especiales y también puede tener otros derechos, que varían según el estado.



**REGISTRO DEL PRODUCTO**  
(Conserve sus registros)

FECHA DE INSTALACIÓN \_\_\_\_\_

Conserve este Certificado de garantía (parte superior) en una ubicación conveniente y segura para sus registros.



**DESPRENDER AQUÍ:** complete la parte inferior totalmente y envíela por correo dentro de los 10 días de su compra/ instalación o regístrese en línea.

**LÁMPARA SUBACUÁTICA**

Escribir claramente en letra de imprenta:

Nombre \_\_\_\_\_ Apellido \_\_\_\_\_

Dirección \_\_\_\_\_

Ciudad \_\_\_\_\_ Estado \_\_\_\_\_ CP \_\_\_\_\_

Número de teléfono \_\_\_\_\_ Fecha de compra \_\_\_\_\_

Correo electrónico \_\_\_\_\_

Número de serie

--	--	--	--	--	--	--	--	--	--	--	--	--	--	--	--	--	--

Número de modelo \_\_\_\_\_

Capacidad de la piscina \_\_\_\_\_ (galones estadounidenses)

**Registro de tarjeta de garantía**

Años durante los que la piscina ha estado en funcionamiento

<1 año    1-3    4-5    6-10    11-15    >15

Comprada en \_\_\_\_\_

Fabricante    Minorista    Mantenimiento de piscinas    Internet/catálogo

Nombre de la empresa \_\_\_\_\_

Dirección \_\_\_\_\_

---

Tipo de piscina:

Hormigón/gunita    Fibra de vidrio    Vinilo

---

Nueva instalación    Reemplazo

---

Instalación para:

En tierra    Spa    Ambos

Incluirme en todos los mensajes de correo electrónico relativos a los equipos o promociones de Hayward.

Escribir a: Hayward Pool Products, 620 Division Street, Elizabeth, NJ 07207

Attn: Warranty Dept.

O REGISTRE SU GARANTÍA EN LÍNEA EN [WWW.HAYWARD.COM](http://WWW.HAYWARD.COM)



PARA OBTENER MÁS INFORMACIÓN O  
SERVICIO TÉCNICO AL CONSUMIDOR, VISITE NUESTRO SITIO WEB:  
**[www.hayward.com](http://www.hayward.com)**



Hayward es una marca registrada, y ColorLogic y CrystalLogic son marcas registradas de Hayward Industries, Inc. © 2019 Hayward Industries, Inc.

Todas las demás marcas que no son propiedad de Hayward son propiedad de sus respectivos dueños. Hayward no está de ninguna manera afiliada con dichos terceros ni avalada por ellos.