

# In-Ground Vinyl/Fiberglass

All vinyl/fiberglass pool skimmers are packaged with face plate, gaskets and screws.

## SP1080 Auto-Skim™ Series



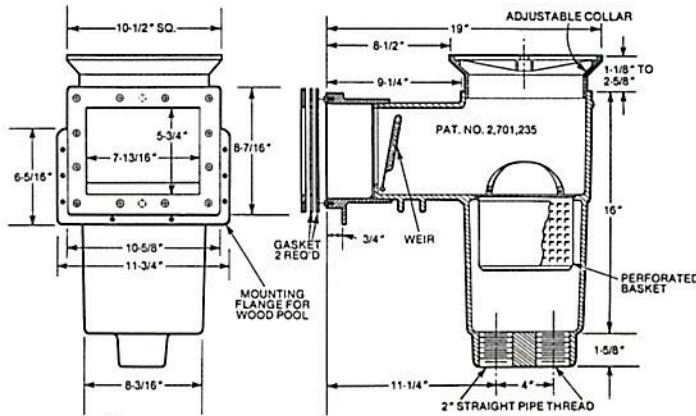
SP1084I

Auto-Skim features include an automatic by-pass for low water conditions, adjustable cover collar, snap-in weir that adjusts automatically to water level fluctuations up to 4½", a rigid, 163 cubic inch basket, integral Flo-Control slide plate and a choice of threads for piping versatility. The SP1084 line — engineered for in-ground vinyl/fiberglass applications — offers an 8½" throat, a weather-beating ABS face rim for longevity, and 9½" diameter round cover (1084IR). They are also available with Float Valve and Equalizer Kit to meet specific NSF commercial requirements.

Model Number	Pipe Size	Cover Style	Throat Length	Ctn. Qty.	Ctn. Weight	Product Descriptions
SP1084	2" FIP	Square	8 ½"	1	13 lbs.	ABS Body, adjustable cover collar, Tamper-proof cover, basket, weir, Flo-control slide plate. ABS face rim (white), gaskets, screws, plus drilled mounting flange for wood pools.
SP1084I*	1 ½" FIP	Square	8 ½"	1	13 lbs.	
SP1084IOM	1 ½" FIP	Square	8 ½"	1	13 lbs.	Same as 1084I except thru wall outside mount on metal wall pools.
SP1084IR	1 ½" FIP	Round	8 ½"	1	13 lbs.	Same as SP1084I, but with 9½" diameter ROUND cover.

\*Skimmer package will also include extra long 1 ¼" screws.

NOTE: All SP1084 Series Skimmers have a minimum flow rate of 10 GPM and maximum flow rate of 55 GPM.



Measurements are for reference only.