



Super Pump® VS 700

»» Variable-Speed Pump Series

SUPERIOR DURABILITY FROM THE
NAME YOU KNOW AND TRUST



EXPERT LINE

✓ PREMIUM PRODUCTS

✓ NOT SOLD ONLINE

✓ EXTENDED WARRANTIES

110 cubic-inch strainer basket

holds more debris

Exclusive swing-away hand knobs

make for easy strainer cover removal without tools

Chemical-resistant Viton® seal

offers improved resistance against chemical imbalances

Wing nut drain plugs are easy to

open and close for winterizing



Wall-mountable touchpad control

can be rotated in four directions



Permanent magnet, totally enclosed fan-cooled motor

provides reliable energy efficiency



EASY UPGRADE FOR ANY POOL

Super Pump® VS 700 is a simple drop-in upgrade for Super Pump single-speed pumps up to 1.5 HP. Available in both 230V and 115V models, it offers the savings of a VS pump without requiring costly rewiring.



ENERGY-EFFICIENT DESIGN

Built with a chemical-resistant Viton seal and accompanied by a 3-year extended warranty, Super Pump VS 700 offers powerful protection for years of reliable performance.



UNIVERSAL CONTROLLER COMPATIBILITY

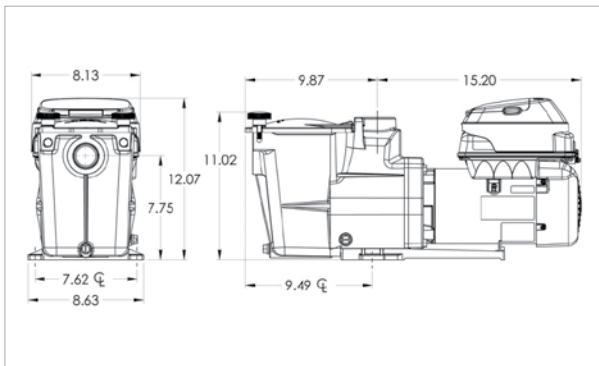
Super Pump VS 700 can operate in standalone mode or with any automation system via relay control. The 230V model can be controlled with Hayward automation, including OmniLogic®.



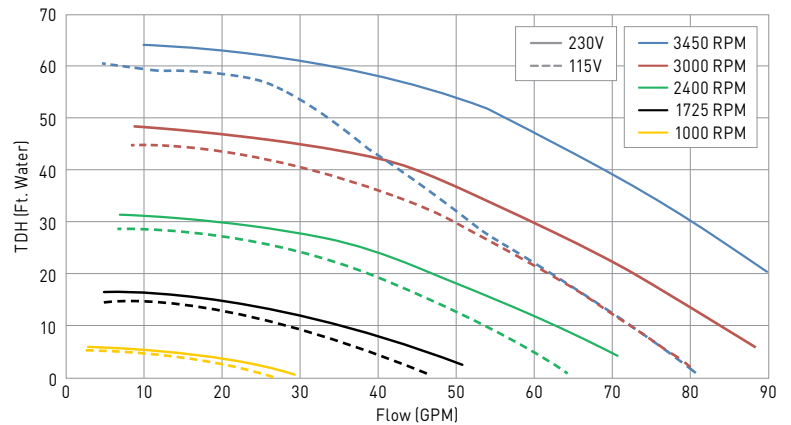
SPECIFICATIONS

MODEL NUMBER	STAND ALONE	RELAY CONTROL	HAYWARD® AUTOMATION	TOTAL HP	VOLTAGE	WARRANTY
SP2670020VSP	•	•	•	1.65	230V Single Phase	3 years
SP2670010VSP	•	•		0.85	115V Single Phase	3 years

SUPER PUMP VS 700 DIMENSIONS (INCHES)



SUPER PUMP VS 700 PERFORMANCE COMPARISON



» hayward.com » 1-888-HAYWARD

Super Pump VS 700 series pumps are listed by:



Pumps » Filters » Heating » Cleaners » Sanitization » Automation » Lighting » Water Features » White Goods

Hayward, Hayward and Design, the H logo, OmniLogic and Super Pump are registered trademarks of Hayward Industries, Inc. ENERGY STAR is a registered mark owned by the U.S. government. All other trademarks not owned by Hayward are the property of their respective owners. Hayward is not in any way affiliated with or endorsed by those third parties. © 2017 Hayward Industries, Inc.

LITSPVS70017

