



# HCP 2000 Series

2" CLASS 3-PHASE PUMPS  
0.5-5 HP



1 YEAR WARRANTY

NSF

## EFFICIENT HYDRAULICS WITH OUTSTANDING VALUE.

HCP 2000 pumps outperform the competition in flow and efficiency while their lightweight design, union connections and tool-free lid opening make installation, service and maintenance easy. Available in 0.5 to 5 HP models, they are the ideal option to provide industry-leading value in any semi-commercial application.



### POWERFUL PERFORMANCE

With the industry's most energy efficient hydraulics for 3 to 5 HP models and self-priming capability (suction lift up to 10' above water level), HCP 2000 pumps set semi-commercial pools up for success.



### SUPERIOR STRAINER BASKET

HCP 2000 pumps feature a large, no-rib strainer basket for quick and easy cleaning. When cleaning is done, the Tri-Lock strainer cover design re-seals with less than a quarter turn.



### EASY INSTALLATION AND SERVICING

With 2" x 2½" union connections, installing and servicing HCP 2000 pumps is effortless. An elevated pump base allows for better ventilation while protecting the motor against flooding.



**Clear tri-lock strainer cover** seals with less than a quarter turn

**Large, no-rib strainer basket** extends time between cleanings and ensures easy debris removal

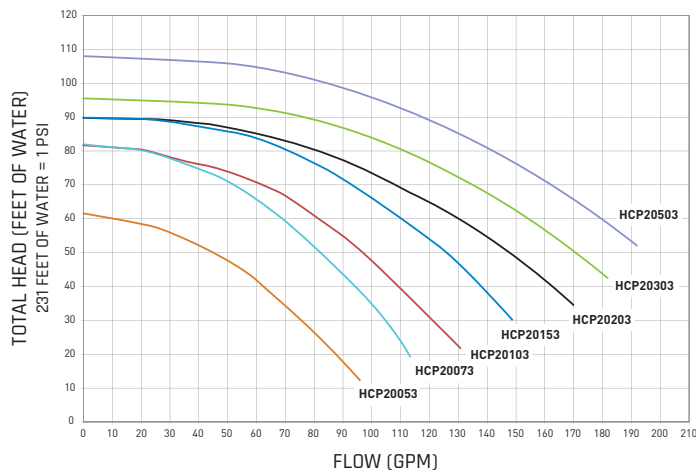
**2" x 2½" union connections** simplify installation and servicing

**Elevated base** improves ventilation and protects against flooding

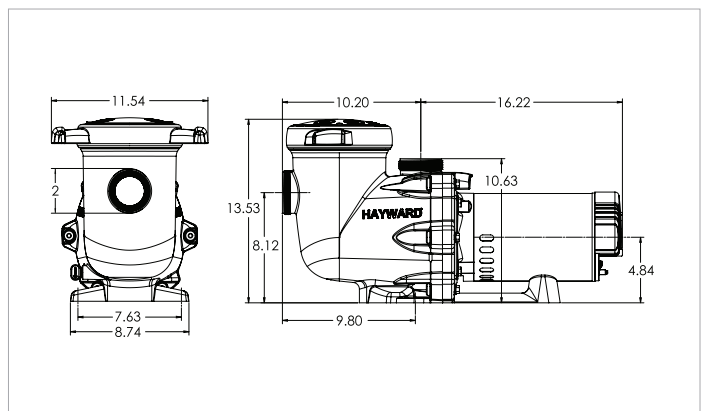
### TECHNICAL SPECIFICATIONS

PART NUMBER	RATED H.P.	VOLTAGE	AMPS	HZ	UNION CONNECTIONS	CARTON WEIGHT (LBS.)	PUMP OUTPUT (GPM) VS. TOTAL RESISTANCE TO FLOW PER FT OF HEAD									
							20	30	40	50	60	70	80	90	100	
HCP20053	0.5	208-230/460 3-Phase	3.8-3.6/1.8	50/60	2" x 2.5"	41.0	87	76	62	44	14	—	—	—	—	
HCP20073	0.75	208-230/460 3-Phase	5-4.6/2.3	50/60	2" x 2.5"	49.0	104	95	85	71	53	23	—	—	—	
HCP20103	1	208-230/460 3-Phase	6.4-5.8/2.9	50/60	2" x 2.5"	49.0	131	122	110	97	82	60	16	—	—	
HCP20153	1.5	208-230/460 3-Phase	6.8-7/3.5	50/60	2" x 2.5"	49.0	150	148	140	126	112	94	70	—	—	
HCP20203	2	208-230/460 3-Phase	8-8.4/4.2	50/60	2" x 2.5"	49.0	170	170	162	148	130	110	80	26	—	
HCP20303	3	208-230/460 3-Phase	10.8-11.4/5.7	50/60	2" x 2.5"	49.0	190	190	186	174	155	138	114	72	—	
HCP20503	5	208-230/460 3-Phase	13.4/6.7	60	2" x 2.5"	65.0	200	200	200	193	182	167	150	126	75	


### PERFORMANCE DATA



### DIMENSIONS (INCHES)



» [haywardcommercialpool.com](http://haywardcommercialpool.com) » 1-800-657-2287

HCP 2000 Series Pumps are listed by:   

Hayward, Hayward & Design and the H logo are registered trademarks of Hayward Industries, Inc. All other trademarks not owned by Hayward are the property of their respective owners. Hayward is not in any way affiliated with or endorsed by those third parties. © 2017 Hayward Industries, Inc.

LITCHCP200017

