

PROVEN PERFORMANCE FOR POOLS OF ALL SIZES AND TYPES.

Hayward Super Pump medium-head pumps set the industry standard for excellence and value. Their permanent magnet, totally enclosed fan-cooled motor offers reliable, quieter, more efficient operation for virtually any pool or spa, while their exclusive service-ease design offers quick 4-bolt access to all internal components. With these and other advanced features, it's easy to see why Super Pump is the best-selling medium-head pool pump in the world.

KEY FEATURES

- » **Permanent magnet, totally enclosed fan-cooled motor** combines unmatched efficiency and reliability
- » **Exclusive swing-away hand knobs** make for easy strainer cover removal without tools
- » **See-through strainer cover** lets you see when the basket needs cleaning
- » **Extra-large debris basket** provides added leaf-holding capacity for less frequent maintenance

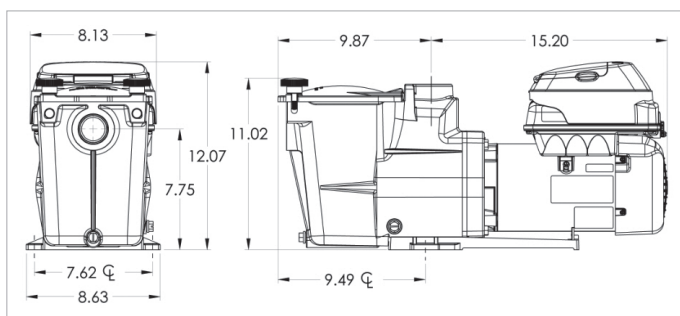





SPECIFICATIONS

MODEL NUMBER	TOTAL HP	VOLTAGE	WEIGHTED ENERGY FACTOR (WEF)*	WARRANTY
W3SP2603VSP	1.65	230V	9.3	1 year
SP26115VSP	0.85	115V	11.4	1 year

*The higher the weighted energy factor (WEF), the more efficient the pump. Visit hayward.com/regulations for more information.

SUPER PUMP SERIES DIMENSIONS (INCHES)



Super Pump VS pumps are listed by:   

SUPER PUMP FLOW VS. TOTAL HEAD

