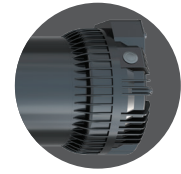


HIGH PERFORMANCE WITH A LOWER COST OF OWNERSHIP.

TriStar XE ultra-high efficiency pumps are built to deliver maximum energy savings while cutting equipment costs by more than a third. With selectable speed options, pool owners can customize their pump settings (and savings) without having to pay for more options than they need. With its easy installation, dual-voltage capability and durable design that's up to 30% lighter than competitive VS models, TriStar XE is the best way to install a pump that complies with Dept. of Energy regulations in any new or existing pool.

KEY FEATURES

- » **Industry-leading efficiency** exceeds DOE benchmarks and efficiency of many competitive VS pumps
- » **Easily programmable** with up to 6 selectable speeds
- » **Dual-voltage capability** (230V/115V) offers more versatility for installation
- » **Chemical-resistant Viton® seal** offers improved resistance against chemical imbalances
- » **Simple installation** includes standard 2" x 2.5" CPVC unions and doesn't require any additional equipment



Simple button programming
easily switches between speeds



Watch the video at hayward.com/xe

EXPERT LINE®
ONLY FROM POOL PROS

Find local utility rebates at
hayward.com/utilityrebates



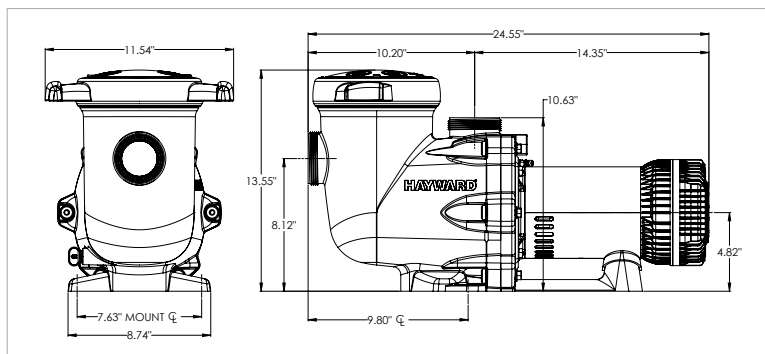
SPECIFICATIONS

MODEL NUMBER	TOTAL HP	SPEED RANGE	VOLTAGE	WEIGHTED ENERGY FACTOR (WEF)*	WARRANTY
SP3207X10XE	1.25	40-100%	230/115V	9.3/9.3	3 years**
SP3210X15XE	1.85	40-100%	230/115V	8.5/8.4	3 years**
SP3215X20XE	2.25	40-100%	230/115V	7.2/8.7	3 years**

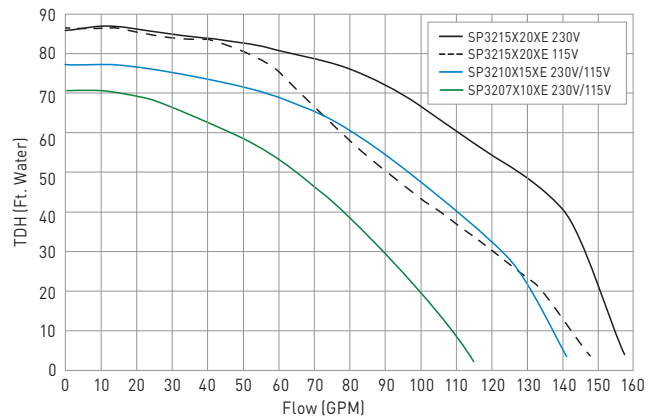
*The higher the weighted energy factor (WEF), the more efficient the pump. Visit hayward.com/regulations for more information.



**When sold by a Totally Hayward® Partner. Exclusions, other terms and conditions may apply—visit hayward.com/expert for details.

TRISTAR XE DIMENSIONS (INCHES)



TRISTAR XE MAX SPEED PERFORMANCE COMPARISON



TriStar XE pumps are listed by:  

» hayward.com » 1-888-HAYWARD | Pumps » Filters » Heaters » Sanitization » Automation » Lighting » Water Features » Cleaners » Safety

Hayward, Hayward & Design, the H logo, Expert Line, Totally Hayward and TriStar are registered trademarks and We Build Better. is a trademark of Hayward Industries, Inc. ENERGY STAR is a registered mark owned by the U.S. government. All other trademarks not owned by Hayward are the property of their respective owners. Hayward is not in any way affiliated with or endorsed by those third parties. © 2021 Hayward Industries, Inc.