



SwimClear™ CARTRIDGE FILTER

Owner's Manual

Models C200SC and C225SC



Contents

Product Specific Warnings.....	2
Introduction.....	4
Installation.....	4
General Warnings.....	5
Replacement Parts.....	6
Warranty & Registration	8

IMPORTANT SAFETY INSTRUCTIONS

Basic safety precautions should always be followed: failure to follow instructions can cause severe injury and/or death.

⚠ This is the safety-alert symbol. When you see this symbol on your equipment or in this manual, look for one of the following signal words and be alert to the potential for personal injury.

⚠ WARNING warns about hazards that **can** cause serious personal injury, death or major property damage and if ignored presents a potential hazard.

⚠ CAUTION warns about hazards that **will** or **can** cause minor or moderate personal injury and/or property damage and if ignored present a potential hazard. It can also make consumers aware of actions that are unpredictable and unsafe.

The **NOTICE** label indicates special instructions that are important but not related to hazards.

SAVE THIS INSTRUCTION MANUAL

Hayward Pool Products Canada
 2880 Plymouth Drive, Oakville, ON L6H 5R4
 Phone: 1.888.238.7665
www.haywardpool.ca



HAYWARD®



WARNING – Read, understand and follow all instructions in this owner’s manual and on the equipment. Failure to follow instructions can cause severe injury and/or death.

WARNING – Suction Entrapment Hazard.

Suction in suction outlets and/or suction outlet covers which are, damaged, broken, cracked, missing, or unsecured can cause severe injury and/or death due to the following entrapment hazards:



Hair Entrapment- Hair can become entangled in suction outlet cover.



Limb Entrapment- A limb inserted into an opening of a suction outlet sump or suction outlet cover that is damaged, broken, cracked, missing, or not securely attached can result in a mechanical bind or swelling of the limb.



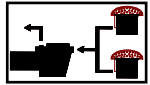
Body Suction Entrapment- A negative pressure applied to a large portion of the body or limbs can result in an entrapment.



Evisceration/ Disembowelment - A negative pressure applied directly to the intestines through an unprotected suction outlet sump or suction outlet cover which is, damaged, broken, cracked, missing, or unsecured can result in evisceration/ disembowelment.

Mechanical Entrapment- There is potential for jewelry, swimsuits, hair decorations, fingers, toes or knuckles to be caught in an opening of a suction outlet cover resulting in mechanical entrapment.

WARNING - To Reduce the risk of Entrapment Hazards:



- When outlets are small enough to be blocked by a person, a minimum of two functioning suction outlets per pump must be installed. Suction outlets in the same plane (i.e. floor or wall), must be installed a minimum of three feet (3') [1 meter] apart, as measured from near point to near point.
- Dual suction fittings shall be placed in such locations and distances to avoid “dual blockage” by a user.
- Dual suction fittings shall not be located on seating areas or on the backrest for such seating areas.
- The maximum system flow rate shall not exceed the flow rating as listed on the suction outlet cover.
- Never use Pool or Spa if any suction outlet component is damaged, broken, cracked, missing, or not securely attached.
- Replace damaged, broken, cracked, missing, or not securely attached suction outlet components immediately.
- In addition, two or more suction outlets per pump installed in accordance with latest ASME, APSP Standards and CPSC guidelines, follow all National, State, and Local codes applicable.
- Installation of a vacuum release or vent system, which relieves entrapping suction, is recommended.

WARNING – Failure to remove pressure test plugs and/or plugs used in winterization of the pool/spa from the suction outlets can result in an increased potential for suction entrapment as described above.

WARNING – Failure to keep suction outlet components clear of debris, such as leaves, dirt, hair, paper and other material can result in an increase potential for suction entrapment as described above.

WARNING – Suction outlet components have a finite life: the cover/grate should be inspected frequently and replaced at least every seven years or if found to be damaged, broken, cracked, missing, or not securely attached.

CAUTION – Components such as the filtration system, pumps and heater must be positioned so as to prevent their being used as means of access to the pool by young children. To reduce risk of injury, do not permit children to use or climb on this product. Closely supervise children at all times. Components such as the filtration system, pumps, and heaters must be positioned to prevent children from using them as a means of access to the pool.



WARNING – Hazardous Pressure. Pool and spa water circulation systems operate under hazardous pressure during start up, normal operation, and after pump shut off. Stand clear of circulation system equipment during pump start up. Failure to follow safety and operation instructions could result in violent separation of the pump housing and cover, and/or filter housing and lock ring due to pressure in the system, which could cause property damage, severe personal injury, or death. Before servicing pool and spa water circulation system, all system and pump controls must be in off position and filter manual air relief valve must be in open position. Before starting system pump, all system valves must be set in a position to allow system water to return back to the pool. Do not change filter control valve position while system pump is running. Before starting system pump, fully open filter manual air relief valve. Do not close filter manual air relief valve until a steady stream of water (not air or air and water) is discharged.



WARNING – Separation Hazard. Failure to follow safety and operation instructions could result in violent separation of pump and/or filter components. Strainer cover must be properly secured to pump housing with strainer cover lock ring. Before servicing pool and spa circulation system, filters manual air relief valve must be in open position. Do not operate pool and spa circulation system if a system component is not assembled properly, damaged, or missing. **Never operate or test the circulation system at more than 50 PSI. Do not purge the system with compressed air.** Purging the system with compressed air can cause components to explode, with risk of severe injury or death to anyone nearby. Use only a low pressure (below 5 PSI), high volume blower when air purging the pump, filter, or piping.



HAYWARD®



⚠ WARNING – Risk of Electric Shock. All electrical wiring **MUST** be in conformance with applicable local codes, regulations, and the National Electric Code (NEC). Hazardous voltage can shock, burn, and cause death or serious property damage. To reduce the risk of electric shock, do **NOT** use an extension cord to connect unit to electric supply. Provide a properly located electrical receptacle. Before working on any electrical equipment, turn off power supply to the equipment. To reduce the risk of electric shock replace damaged wiring immediately. Locate conduit to prevent abuse from lawn mowers, hedge trimmers and other equipment. Do **NOT** ground to a gas supply line.

⚠ WARNING – Risk of Electric Shock. Failure to ground all electrical equipment can cause serious or fatal electrical shock hazard. Electrically ground all electrical equipment before connecting to electrical power supply.

⚠ WARNING – Risk of Electric Shock. Failure to bond all electrical equipment to pool structure will increase risk for electrocution and could result in injury or death. To reduce the risk of electric shock, see installation instructions and consult a professional electrician on how to bond all electrical equipment. Also, contact a licensed electrician for information on local electrical codes for bonding requirements.

Notes to electrician: Use a solid copper conductor, size 8 or larger. Run a continuous wire from external bonding lug to reinforcing rod or mesh. Connect a No. 8 AWG (8.4 mm²) [No. 6 AWG (13.3 mm²) for Canada] solid copper bonding wire to the pressure wire connector provided on the electrical equipment and to all metal parts of swimming pool, spa, or hot tub, and metal piping (except gas piping), and conduit within 5 ft. (1.5 m) of inside walls of swimming pool, spa, or hot tub.

IMPORTANT - Reference NEC codes for all wiring standards including, but not limited to, grounding, bonding and other general wiring procedures.

⚠ WARNING – Risk of Electric Shock. The electrical equipment must be connected only to a supply circuit that is protected by a ground-fault circuit-interrupter (GFCI). Such a GFCI should be provided by the installer and should be tested on a routine basis. To test the GFCI, push the test button. The GFCI should interrupt power. Push reset button. Power should be restored. If the GFCI fails to operate in this manner, the GFCI is defective. If the GFCI interrupts power to the electrical equipment without the test button being pushed, a ground current is flowing, indicating the possibility of an electrical shock. Do not use this electrical equipment. Disconnect the electrical equipment and have the problem corrected by a qualified service representative before using.

⚠ CAUTION – HAYWARD® pumps are intended for use with permanently-installed pools and may be used with hot tubs and spas if so marked. Do not use with storable pools. A permanently-installed pool is constructed in or on the ground or in a building such that it cannot be readily disassembled for storage. A storable pool is constructed so that it is capable of being readily disassembled for storage and reassembled to its original integrity.

⚠ WARNING – Risk of Hyperthermia. To avoid hyperthermia the following “Safety Rules for Hot Tubs” are recommended by the U.S. Consumer Product Safety Commission.

1. Spa or hot tub water temperatures should never exceed 104°F [40°C]. A temperature of 100°F [38°C] is considered safe for a healthy adult. Special caution is suggested for young children. Prolonged immersion in hot water can induce hyperthermia.
2. Drinking of alcoholic beverages before or during spa or hot tub use can cause drowsiness, which could lead to unconsciousness and subsequently result in drowning.
3. Pregnant women beware! Soaking in water above 100°F [38°C] can cause fetal damage during the first three months of pregnancy (resulting in the birth of a brain-damaged or deformed child). Pregnant women should adhere to the 100°F [38°C] maximum rule.
4. Before entering the spa or hot tub, users should check the water temperature with an accurate thermometer; spa or hot tub thermostats may err in regulating water temperatures by as much as 4°F (2.2°C).
5. Persons taking medications, which induce drowsiness, such as tranquilizers, antihistamines or anticoagulants, should not use spas or hot tubs.
6. If the pool/spa is used for therapy, it should be done with the advice of a physician. Always stir pool/ spa water before entering the pool/spa to mix in any hot surface layer of water that might exceed healthful temperature limits and cause injury. Do not tamper with controls, because scalding can result if safety controls are not in proper working order.
7. Persons with a medical history of heart disease, circulatory problems, diabetes or blood pressure problems should obtain a physician’s advice before using spas or hot tubs.
8. Hyperthermia occurs when the internal temperature of the body reaches a level several degrees above normal body temperature of 98.6°F [37°C]. The symptoms of Hyperthermia include: drowsiness, lethargy, dizziness, fainting, and an increase in the internal temperature of the body.

The effects of Hyperthermia include:

1. Unawareness of impending danger.
2. Failure to perceive heat.
3. Failure to recognize the need to leave the spa.
4. Physical inability to exit the spa.
5. Fetal damage in pregnant women.
6. Unconsciousness resulting in danger of drowning.

SAVE THESE INSTRUCTIONS



GENERAL INFORMATION

The SwimClear filters are high performance swimming pool filters with a residential filtration rating of up to 7200 gallons (27 kL) per hour. Manufactured from durable, corrosion-proof material, they are designed for continuous or intermittent operation, for installation above or below the pool water line, for fresh or saltwater swimming pools or spas. SwimClear filters utilize a reusable single element, reinforced polyester filter cartridge to provide a high degree of water clarity with absolute minimum care. Their unique design is such that no tools are needed to remove or replace the cartridge in the filter assembly. Simply unscrew the lock ring, lift off the filter head and remove the cartridge. It's that easy.

PUMP SELECTION AND LOCATION

To power your SwimClear filter, select a continuous duty pump designed for swimming pool or spa service. It is important to first determine where your pump and filter will be located. If above the water line, a self-priming pump must be used. Self-priming pumps such as Hayward's Super Pump®, Super II™, or TriStar™ have the ability to lift water from a lower level and prime automatically.

Select a pump appropriate for your application. Take into consideration: operation of hydrotherapy fittings, automatic cleaners, required turnover rates and losses in the system. A dealer can help you select the proper size pump for your system.

FILTER LOCATION

1. Since plumbing fittings offer a resistance to water flow, position the filter as close to the swimming pool as local codes allow. Keep the number of fittings to a minimum. Select a well-drained area, one that will not flood when it rains.
2. Set the filter on a solid level surface. Allow a minimum clearance above the body for cartridge removal of 12" (305mm) for the C225SC and allow 18" (457mm) for the C200S. Observe minimum side clearance requirements for the filter, and pump (see fig.3). Locate drain, air relief and pressure gauge for convenient operation and viewing.
3. Position the filter to allow for proper drainage.
4. If practical, place pump and filter in the shade to shield it from direct heat from the sun.

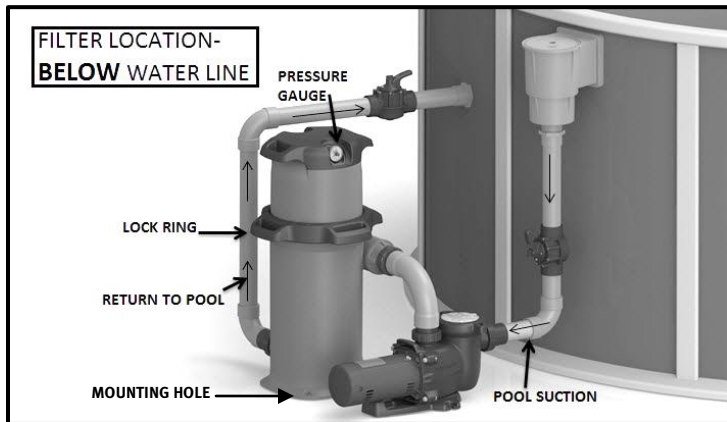


Fig. 1

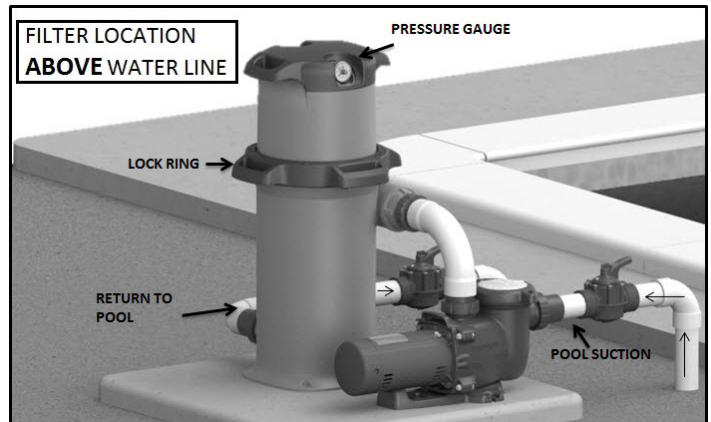


Fig. 2

PLUMBING

1. The union fittings included with the SwimClear are 2" x 2 1/2" union sockets (solvent weld). The 2" union fitting is a pipe socket connection. For 2 1/2" piping, a standard 2 1/2" x 2 1/2" coupling is required. For 1 1/2" socket fittings order SPX1500JS. For 1 1/2" threaded fittings order SPX1500JT. **Before solvent cementing fitting onto pipe, do not forget to place the union nut on the pipe with the threads facing the filter. Proper Solvent Cementing practices as outlined in ASTM D2855 and ASTM F493 should be followed.**
2. Refer to fig.1 and 2 for basic suggested piping and valve locations. While systems vary, the main consideration is to provide the desired control of water flow from the pool to the pump and filter, and back to the pool. When the filter is located below water level, provide valves to prevent back flow of water to the filter during cleaning and routine servicing.
3. Install face seal, then screw the union nut on to the body to connect the filter to the pump. This connection is the one above the pump discharge
4. Install face seal, then screw the union nut on to the body to connect the filter to the return pool plumbing.
5. Carefully replace cartridge element into filter body ensuring that the cartridge sits evenly on the collector hub in bottom of filter body.
6. Place filter head on filter body (being sure filter head o-ring is in place and clean).
7. Tighten lock ring (in clockwise direction) until safety latch fully engages the catch.



8. A 1 1/2" NPT filter drain plug is furnished with each filter. When making threaded connections to the filter use plastic adapters. Apply three turns of PTFE tape (or use special plastic pipe sealant) to male threads. Screw the fitting into the thread hand tight; then using a strap wrench, tighten one more full turn. Additional tightening is unnecessary and could result in broken or damaged valve body.
9. A manual air relief valve is furnished to aid in bleeding off unwanted air when starting the filter.
10. All electrical connections should be made in accordance with local codes.
11. Check for joint leaks before operating.
12. Refer to pump instruction booklet for pump information.

	REQUIRED CLEARANCE			
	SIDE		ABOVE	
	IN	CM	IN	CM
C200SC	12	30	18	45
C225SC	12	30	12	30

Fig. 3

FILTER MOUNTING

Secure filter to level concrete slab or other rigid surface to meet all local and national codes. Use fasteners appropriate for the material of the surface being fastened to. Use 2 of the 4 available mounting holes (see fig.1) on opposite corners of the filter base to ensure the filter is secure and level.

▲ CAUTION: Be careful not to over tighten the fasteners when mounting the filter. Failure to do so may cause the base of the filter to crack at the mounting locations causing the filter to be unstable.

STARTING THE FILTER

Be sure filter drain is closed. Open manual air relief valve and open the suction and return valves (when used).

▲ CAUTION: All suction and discharge valves must be open when starting the system. Failure to do so could cause severe personal injury and/or property damage. Be sure lock ring is locked and in latched position.

Stand clear of the filter. Prime and start the pump, following the manufacturer's instructions. Air trapped in the system will automatically vent to the pool and out the manual air relief valve. Close the air relief valve when a steady stream of water (not air or air and water) is being discharged.

FILTERING

Filtration starts as soon as flow is steady through the filter. As the filter cartridge removes dirt from the pool water, the accumulated dirt causes a resistance to flow. As a result, the gauge pressure will increase and flow will decrease. When the indicated pressure increases 7 to 10 psi (0.49 to 0.70 Bar) above the starting pressure, or when flow decreases below the desired filtration rate, clean or replace the filter cartridge.

CLEAN / REPLACE CARTRIDGE

REMOVING CARTRIDGE ELEMENT

1. Shut off the pump.
2. If filter is located below water level, close valves or block off suction & discharge lines to prevent backflow of water from the pool.
3. Remove drain plug and open the manual air relief valve to allow water to drain from filter.
4. Depress safety latch and unscrew the lock ring (counterclockwise direction). Carefully lift off filter head with the attached lock ring to gain access to filter cartridge. (Set Head on a flat surface on top of the handle)
5. Lift out cartridge and clean or, replace with a clean, spare cartridge. (See Cleaning Cartridge.)
6. Clean body o-ring in filter head.

REINSTALLING CARTRIDGE ELEMENT

1. Clean any collected debris from the bottom of filter body. Clean the Body o-ring seal area.
2. Carefully replace cartridge element into filter body ensuring that the cartridge sits evenly on the collector hub in bottom of filter body.
3. Place filter head on filter body (being sure filter head o-ring is in place and clean).
4. Tighten lock ring (in clockwise direction) until safety latch fully engages the catch.
5. Proceed as in **STARTING THE FILTER**.



CLEANING CARTRIDGE

The cartridge filter element can be cleaned by washing inside and out with a garden hose. (The cartridge is easier to clean when dry.) After hosing the cartridge, for best results, allow cartridge to dry and carefully brush pleated surface areas to remove fine particles. **Do not pressure wash, as it can damage the filter element.**

To remove materials such as suntan and body oils from the cartridge pleats, soak the element in a solution of filter element cleaner (various brands available at pool dealer). Follow manufacturer's directions for use and allow an hour for soaking. Hose thoroughly before reinstalling in filter.

⚠ CAUTION: Be sure to use a plastic container and take extreme care when handling cleaning agents as they can be harmful to eyes, skin and clothing. After cleaning flush with water.

NON-CHLORINE POOLS

Cartridges used in pools or spas that use Baquacil® Sanitizer or other similar non-chlorine based products must be cleaned more frequently than when used in pools that utilize a chlorine system. Consult manufacturer's instructions for frequency, instructions, and chemicals required for cleaning elements in these types of systems. Baquacil® is not compatible with chlorine, bromine, any copper based chemical or non-chlorine shock.

A spare cartridge filter element is an excellent investment. It provides convenience and ensures that your filter will always be ready to operate at peak efficiency.

VACUUMING

Vacuuming can be performed directly into the filter whenever needed. Clean cartridge after vacuuming, if required.

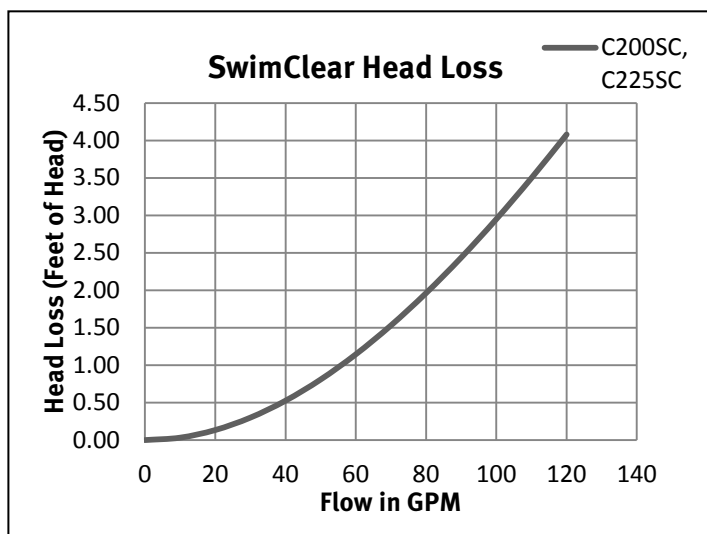
WINTERIZING (Filter)

In areas where sub-freezing temperatures can be expected, the filter should be drained and/or removed from its operating location and stored indoors. Remove and clean cartridge. Reinstall cartridge in filter tank. Fully tighten lock ring when storing.

SERVICE AND REPAIRS

Consult your local authorized Hayward dealer or service center. No returns may be made directly to the factory without the expressed written authorization of Hayward Pool Products.

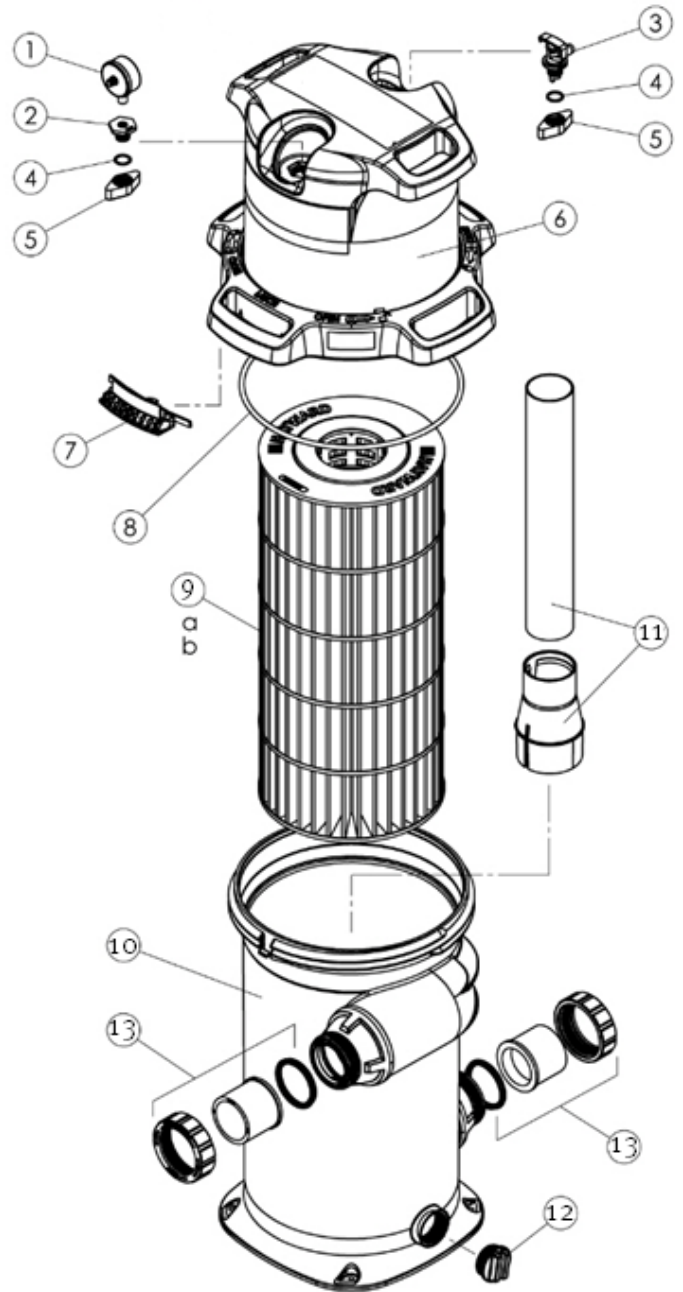
MODEL	EFFECTIVE FILTRATION AREA		DESIGN FLOW RATE RESIDENTIAL		DESIGN FLOW RATE PUBLIC	
	FT ²	M ²	GPM	LPM	GPM	LPM
C200SC	200	18.6	120	454	75	284
C225SC	225	21	120	454	84	318
MAXIMUM WORKING PRESSURE FOR ALL MODELS 50 PSI (3.45 BAR)						





PARTS			
Models C200SC and C225SC			

REF NO.	PART NO.	DESCRIPTION	NO. REQ'D.
1	ECX271261	Pressure Gauge	1
2	CCX1000L	Threaded Adapter for Pressure Gauge	1
3	CXRLV1001	Air Relief Assembly with O-Ring	1
4	CXGAR1001Pak2	O-Ring for Gauge Adapter and Air Relief Assembly (set of 2)	1
5	CCX1000N	Adapter Nut (set of 2)	2
6	CX200B	Filter Head Assembly	1
7	CXLRL1001	Latch for Lock Ring	1
8	CXFHR1001	O-Ring for Filter Head	1
9a	CX200XRE	Cartridge Element C200SC	1
9b	CX225XREM	Cartridge Element C225SC	1
10	CXFBA1001	Filter Body Assembly	1
11	CXFDA200	Filter Diffuser Assembly	1
12	SP1022CBLK	Drain Plug with O-Ring	1
13	SPX3200UNKIT	Union Connection Kit (2 each of Nuts, Connectors, and Gaskets)	1
OPTIONAL			
	CX200XREBVS	Blue Value 3 oz. Cartridge Element C200SC	1
	SPX1500JS	Union Connector 1.5" Socket	1
	SPX1500JT	Union Connector 1.5" NPTF	1





PRODUCT REGISTRATION

DATE OF INSTALLATION _____

(Retain For Your Records)

▲ Retain this Warranty Certificate in a safe and convenient location for your records



DETACH HERE: Fill out bottom portion completely and mail within 10 days of purchase/installation or register online.

SwimClear™ CARTRIDGE FILTER

Warranty Card Registration

Register online at www.haywardpool.ca

Please Print Clearly:

First Name _____ Last Name _____

Street Address _____

City _____ State _____ Zip _____

Phone Number _____ Purchase Date _____

E-Mail Address _____

Serial Number

Grid for serial number entry

Model Number _____

Pool Capacity _____ (U.S. Gallons)

Please include me on all e-mail communications regarding Hayward® Equipment or promotions.

Years Pool has been in service
 < 1 year 1-3 4-5 6-10 11-15 >15

Purchased from _____

Builder Retailer Pool Service Internet/Catalog

Company Name _____

Address _____

City _____ State _____ Zip _____

Phone _____

Type of Pool:
 Concrete/Gunite Vinyl Fiberglass
 Other _____

New Installation Replacement

Installation for:
 In Ground Above Ground Spa



FILTRE À CARTOUCHE SwimClear^{MC}

Guide d'utilisation

Modèles C200SC et C225SC

	Table des matières
	Mises en garde particulières au produit.....2
	Introduction.....5
	Installation.....6
	Mises en garde générales.....7
	Pièces de remplacement.....9
Garantie et enregistrement.....10	

Les mesures de sécurité de base doivent toujours être respectées. Le non-respect des consignes peut entraîner de graves blessures ou la mort.

▲ Ceci est le symbole d'avertissement. Lorsque vous voyez ce symbole sur votre appareil ou dans ce guide, il sera accompagné de l'un ou l'autre des mots suivants. Soyez conscient du risque potentiel de blessures corporelles.

▲ AVERTISSEMENT vous indique qu'il **pourrait** y avoir un risque de graves blessures corporelles, de mort ou de dommages matériels importants et, si la consigne est ignorée, qu'il y a un risque potentiel.

▲ MISE EN GARDE vous indique qu'il y a ou qu'il **pourrait** y avoir un risque de blessures corporelles ou de dommages matériels mineurs ou modérés et, si la consigne est ignorée, qu'il y a un risque potentiel. Ce symbole informe également le consommateur au sujet d'actions qui sont imprévisibles et non sécuritaires.

La mention **AVIS** fournit des consignes particulières qui sont importantes, mais qui ne sont pas reliées à des risques.

CONSIGNES DE SÉCURITÉ IMPORTANTES

Hayward Pool Products Canada
2880, Plymouth Drive, Oakville (Ontario) L6H 5R4
Téléphone : 1-888-238-7665
www.haywardpool.ca



HAYWARD®



⚠ AVERTISSEMENT – Lisez, comprenez et suivez toutes les instructions décrites dans ce guide d'utilisation ainsi que celles indiquées sur l'appareil. Le non-respect des instructions pourrait entraîner de graves blessures ou la mort.

⚠ AVERTISSEMENT – Risque de piégeage par aspiration.

L'aspiration dans les sorties d'aspiration et/ou les couvercles de sorties d'aspiration qui sont endommagés, brisés, fissurés, manquants ou fixés de façon non sécuritaire peut causer de graves blessures et/ou la mort à cause des risques de piégeage suivants :



Piégeage des cheveux – Les cheveux peuvent s'entremêler dans le couvercle d'une sortie d'aspiration.

Piégeage d'un membre – Un membre inséré dans l'ouverture d'une sortie d'aspiration ou dans le couvercle d'une sortie d'aspiration qui est endommagé, brisé, fissuré, manquant ou fixé de façon non sécuritaire peut causer de l'enflure ou le coincement mécanique d'un membre.



Piégeage du corps par aspiration – Une pression négative appliquée sur une grande partie du corps ou des membres peut causer le piégeage.



Éviscération/Éventrement – Une pression négative appliquée directement sur les intestins en raison de l'ouverture non protégée d'une sortie d'aspiration ou du couvercle d'une sortie d'aspiration qui est endommagé, brisé, fissuré, manquant ou fixé de façon non sécuritaire peut entraîner l'éviscération ou l'éventrement.



Piégeage mécanique – Il est possible qu'un bijou, un maillot de bain, une décoration de cheveux, un doigt, un orteil ou une jointure se coince dans l'ouverture d'une sortie d'aspiration ce qui pourrait conduire au piégeage mécanique.

⚠ AVERTISSEMENT – Pour réduire les risques de piégeage :

- Lorsque les sorties sont assez petites de sorte qu'une personne puisse les bloquer, au moins deux sorties d'aspiration doivent être installées. Une distance minimale de 1 m (3 pieds), mesurée entre les deux points les plus rapprochés, doit séparer les sorties d'aspiration situées sur une même paroi (mur ou fond).
- Deux sorties d'aspiration doivent être installées dans des endroits et séparées par des distances qui ne permettent pas à un utilisateur de les bloquer.
- Deux sorties d'aspiration ne doivent pas être installées sur les places assises ou sur le dossier des places assises.
- Le débit maximal dans un système ne doit pas dépasser les valeurs indiquées sur le couvercle de la sortie d'aspiration.
- N'utilisez jamais la piscine ou le spa si l'une des composantes d'une sortie d'aspiration est endommagée, brisée, fissurée, manquante ou fixée de façon non sécuritaire.
- Remplacez immédiatement toute composante d'une sortie d'aspiration qui est endommagée, brisée, fissurée, manquante ou fixée de façon non sécuritaire.
- De plus, deux sorties d'aspiration sont nécessaires pour chacune des pompes installées conformément aux plus récentes normes de l'ASME et de l'APSP et aux directives du CPSC. Suivez également tous les codes nationaux, provinciaux, territoriaux et locaux applicables.
- L'installation d'un casse-vide ou d'un circuit de mise à l'air libre qui libère la force d'aspiration est recommandée.

⚠ AVERTISSEMENT – Omettre de retirer les bouchons pour essais de pression et/ou les bouchons utilisés lors de l'aménagement hivernal des sorties d'aspiration peut augmenter le risque de piégeage par aspiration, comme décrit précédemment.

⚠ AVERTISSEMENT – Omettre de garder les sorties d'aspiration libres de débris, tels que feuilles, saletés, cheveux, papiers ou autres peut augmenter le risque de piégeage par aspiration, comme décrit précédemment.

⚠ AVERTISSEMENT – Les composantes des sorties d'aspiration ont une durée de vie utile limitée. Le couvercle et la grille doivent être inspectés régulièrement et remplacés au moins tous les sept ans ou lorsqu'ils sont endommagés, brisés, fissurés, manquants ou fixés de façon non sécuritaire.

⚠ MISE EN GARDE – Les composantes, telles que le système de filtration, les pompes et le chauffe-piscine doivent être placés de sorte qu'elles ne permettent pas à de jeunes enfants d'avoir accès à la piscine. Pour réduire le risque de blessures, ne permettez pas aux enfants d'utiliser ou de grimper sur cet appareil. En tout temps, supervisez de près les enfants. Les composantes, telles que le système de filtration, les pompes et les chauffe-piscines doivent être placés de sorte qu'elles ne permettent pas aux enfants d'avoir accès à la piscine.



⚠ AVERTISSEMENT – Pression dangereuse. Le système de circulation d'eau d'une piscine ou d'un spa fonctionne sous des pressions dangereuses lors du démarrage, du fonctionnement normal et après l'arrêt de la pompe. N'approchez pas de l'appareil associé au système de circulation au moment du démarrage de la pompe. À cause de la pression dans le système, le non-respect des instructions de fonctionnement et consignes de sécurité peut provoquer la séparation violente du boîtier de la pompe et de son couvercle et/ou du boîtier du filtre et de son anneau de retenue ce qui peut causer des dommages matériels et de graves blessures ou la mort. Avant de procéder à l'entretien du système de circulation de l'eau d'une piscine ou d'un spa, les commandes du système de circulation et de la pompe doivent être en position « OFF » et la vanne manuelle de mise à l'air libre du filtre ouvert. Avant de démarrer la pompe du système, toutes les vannes du système doivent être réglées à une position qui permet à l'eau de retourner vers la piscine. Ne changez pas la position de la vanne de commande de la pompe alors que la pompe fonctionne. Avant de démarrer la pompe du système, ouvrez complètement la vanne manuelle de mise à l'air libre du filtre. Ne fermez pas la vanne manuelle de mise à l'air libre du filtre avant qu'un jet d'eau continu ne circule (pas d'air ou un mélange d'air et d'eau).



HAYWARD®



AVERTISSEMENT – Risque de séparation. Le non-respect des instructions de fonctionnement et consignes de sécurité peut provoquer la séparation violente des composantes de la pompe et/ou du filtre. Le couvercle de la crépine doit être fixé adéquatement au boîtier de la pompe à l'aide de l'anneau de retenue du couvercle de la crépine. Avant de procéder à l'entretien du système de circulation de l'eau de la piscine ou du spa, la vanne manuelle de mise à l'air libre doit être ouverte. Ne faites pas fonctionner le système de circulation de l'eau de la piscine ou du spa si l'une ou l'autre des composantes n'est pas assemblée de façon adéquate ou est endommagée ou manquante. **Ne jamais faire fonctionner ou vérifier le système de circulation alors que la pression est supérieure à 50 psi. Ne purgez pas le système avec de l'air comprimé.** La purge du système avec de l'air comprimé peut causer l'explosion de certaines composantes et entraîner de graves blessures ou même la mort de toute personne à proximité. Utilisez seulement un ventilateur à basse pression (moins de 5 psi) et à haut volume lorsque vous purgez une pompe, le filtre ou la tuyauterie avec de l'air comprimé.



AVERTISSEMENT – Risque de choc électrique. Tout le câblage électrique DOIT être conforme aux codes et règlements locaux applicables et au Code canadien de l'électricité (CCE). Une tension dangereusement élevée peut causer un choc électrique, des brûlures ainsi que la mort ou d'importants dommages matériels. Pour réduire le risque de choc électrique, N'UTILISEZ PAS de rallonge électrique pour raccorder l'appareil à la source d'alimentation. Assurez-vous que la prise de courant est bien située. Coupez l'alimentation électrique avant de travailler sur un appareil sous tension. Remplacez immédiatement tout câble endommagé afin de réduire le risque de choc électrique. Localisez le conduit de câbles afin de ne pas l'endommager avec la tondeuse, le taille-haie ou tout autre appareil. Ne raccordez PAS le fil de mise à la terre à une conduite de gaz.

AVERTISSEMENT – Risque de choc électrique. Négliger de mettre à la terre tout appareil électrique peut engendrer un risque de choc électrique grave, même mortel. Tout appareil électrique doit être mis à la terre avant d'être raccordé à l'alimentation électrique.

AVERTISSEMENT – Risque de choc électrique. Négliger de lier tout appareil électrique à la structure de la piscine augmente le risque de décharge électrique qui pourrait causer des blessures ou la mort. Pour réduire le risque de choc électrique, lisez les instructions d'installation et consultez un électricien quant à la façon de lier tout appareil électrique. Consultez également un électricien pour connaître les exigences des codes électriques locaux en matière de liaison de l'appareil.

Remarques aux électriciens : Utilisez un conducteur de cuivre continu de 8 AWG ou plus. Raccordez un fil continu entre la cosse de mise à la terre et une barre ou un treillis d'armature. Raccordez un fil de liaison de cuivre continu de 8 AWW (8,4 mm²) [au Canada 6 AWG (13,3 mm²)] au connecteur de fil à pression présent sur l'appareil électrique et toutes pièces de métal de la piscine, du spa et aux conduites de métal (sauf les conduites de gaz) dans un rayon de 1,5 m (5 pi) des murs intérieurs de la piscine ou du spa.

IMPORTANT – Consultez les codes du CCE pour toutes les normes en matière de câblage y compris, mais sans s'y limiter, la mise à la terre, la liaison et autres procédures générales de câblage.

AVERTISSEMENT – Risque de choc électrique. L'appareil électrique doit être raccordé uniquement à un circuit d'alimentation protégé par un disjoncteur de fuite à la terre (GFCI). Le disjoncteur de fuite à la terre doit être fourni par l'installateur et doit être testé régulièrement. Pour tester le disjoncteur, appuyez sur le bouton « Test ». Le disjoncteur de fuite à la terre doit couper le courant. Appuyez ensuite sur le bouton « Reset ». L'alimentation électrique devrait être rétablie. Si le disjoncteur ne fonctionne pas de cette façon, il est défectueux. Si le disjoncteur de fuite à la terre coupe le courant sans que le bouton « Test » ait été appuyé, un courant à la terre circule; il y a donc possibilité de choc électrique. N'utilisez pas cet appareil. Déconnectez cet appareil électrique et confiez la réparation à un représentant qualifié avant de l'utiliser.

MISE EN GARDE – Les pompes HAYWARD^{MD} sont conçues pour fonctionner avec des piscines installées de façon permanente et peuvent également être utilisées avec un spa, lorsque cela est indiqué. N'utilisez pas cet appareil avec une piscine démontable. Une piscine installée de façon permanente est construite sur ou dans le sol ou dans un édifice de sorte qu'elle ne peut pas être démontée et entreposée facilement. Une piscine démontable est construite pour être démontée et entreposée facilement et ensuite être réinstallée en reprenant sa forme d'origine.

AVERTISSEMENT – Risque d'hyperthermie. Afin d'éviter l'hyperthermie, les « Règles de sécurité pour les spas » qui suivent sont recommandées par le Consumer Product Safety Commission des États-Unis :

1. La température de l'eau d'un spa ne devrait jamais dépasser 40 °C (104 °F). Une température de 38 °C (100 °F) est considérée comme étant sécuritaire pour un adulte en santé. On recommande de faire preuve de prudence dans le cas des jeunes enfants. Une immersion prolongée dans l'eau chaude peut causer de l'hyperthermie.
2. La consommation de boissons alcoolisées avant ou pendant l'utilisation d'un spa peut entraîner des étourdissements qui peuvent causer une perte de conscience et mener à une noyade.
3. Les femmes enceintes doivent être prudentes! Tremper dans une eau à une température excédant 38 °C (100 °F) peut avoir des effets nocifs sur le fœtus dans les trois premiers mois de la grossesse (pouvant entraîner la naissance d'un enfant déformé ou atteint de lésion cérébrale). Les femmes enceintes devraient respecter la règle fixant la température maximale à 38 °C (100 °F).
4. Avant d'entrer dans le spa, les utilisateurs devraient vérifier la température de l'eau à l'aide d'un thermomètre précis; la régulation de la température par le thermostat d'un spa peut être erronée de 2,2 °C (4 °F).
5. Les personnes qui prennent des médicaments qui causent de la somnolence comme les tranquillisants, les antihistaminiques ou les anticoagulants ne devraient pas utiliser le spa.
6. Si la piscine ou le spa sont utilisés dans le cadre d'un traitement, l'utilisation devrait se faire selon les recommandations d'un médecin. Agitez toujours l'eau de la piscine ou du spa avant d'y entrer afin de mélanger l'eau en surface qui est plus chaude et qui pourrait excéder les limites de températures saines et entraîner des

blessures. N'altérez pas les boutons de commande, puisque vous pourriez subir des échaudures si les commandes de sûreté ne fonctionnent pas adéquatement.

7. Les personnes qui ont des antécédents de maladie du cœur ou de problèmes de circulation, de diabète ou de pression sanguine devraient consulter un médecin avant d'utiliser un spa.
8. L'hyperthermie se produit lorsque la température interne du corps atteint des températures plusieurs degrés au-dessus de la température normale du corps qui est de 37 °C (98.6 °F). Les symptômes d'hyperthermie comprennent : la somnolence, la léthargie, les étourdissements, la perte de conscience et l'augmentation de la température interne du corps.

Les effets de l'hyperthermie comprennent :

1. **Ignorance d'un danger imminent.**
2. **Incapacité à percevoir la chaleur.**
3. **Incapacité à reconnaître qu'il est temps de sortir du spa.**
4. **Incapacité physique à sortir du spa.**
5. **Effets nocifs sur le fœtus chez les femmes enceintes.**
6. **Perte de conscience qui entraîne un danger de noyade.**

CONSERVEZ CES INSTRUCTIONS

INFORMATIONS GÉNÉRALES

Les filtres SwimClear sont des filtres de piscine haute performance pour des applications résidentielles ayant un débit nominal d'au plus 27 000 l (7200 gallons) par heure. Fabriqués avec des matériaux durables et résistants à la corrosion, ils sont conçus pour fonctionner de façon continue ou intermittente dans le cas de piscines ou spas qui contiennent de l'eau salée ou douce et peuvent être installés au-dessus ou sous le niveau de la ligne d'eau. Les filtres SwimClear utilisent un seul élément filtrant réutilisable, une cartouche filtrante en polyester renforcé, pour vous offrir une eau d'une très grande clarté, et ce, avec un entretien minimal. Leur conception unique est telle qu'aucun outil n'est nécessaire pour enlever ou remplacer la cartouche du filtre. Vous n'avez simplement qu'à dévisser l'anneau de retenue, soulever la tête du filtre et retirer la cartouche. C'est aussi simple que ça.

CHOIX DE POMPE ET EMPLACEMENT

Pour alimenter votre filtre SwimClear, choisissez une pompe à service continu conçue pour l'utilisation avec une piscine ou un spa. En premier lieu, il est important de déterminer où seront situés la pompe et le filtre. Si l'emplacement est au-dessus de la ligne d'eau, une pompe autoamorçante doit être utilisée. Les pompes autoamorçantes, comme les pompes Super Pump^{MD}, Super II^{MC} ou TriStar^{MC} de Hayward ont la capacité de soulever l'eau d'un niveau plus bas et de s'amorcer automatiquement.

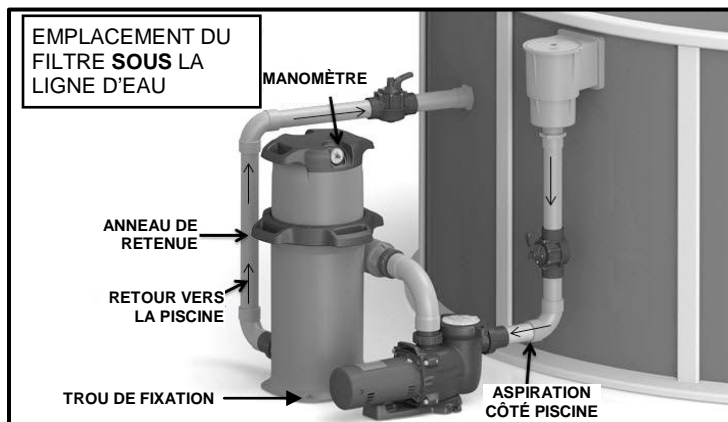
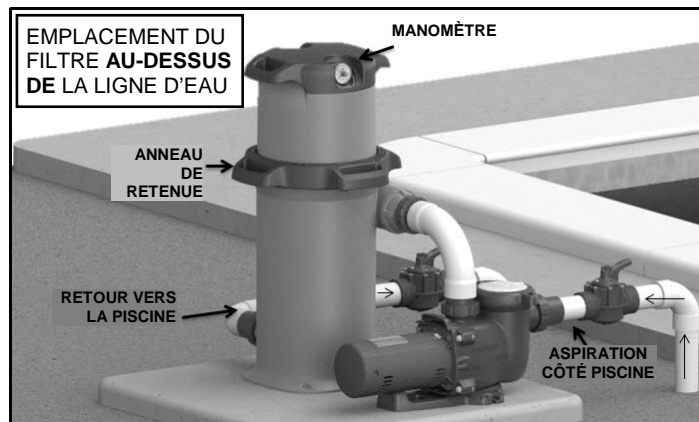
Choisissez une pompe qui convient à l'utilisation que vous allez en faire. Considérez le fonctionnement des raccords d'hydrothérapie, les nettoyeurs automatiques, les taux de renouvellement ainsi que les pertes dans le système. Votre détaillant pourra vous aider à choisir la dimension de pompe qui convient à votre système.

EMPLACEMENT DU FILTRE

1. Puisque les raccords dans la tuyauterie offrent une résistance à l'écoulement de l'eau, placez le filtre le plus près possible de la piscine tout en respectant les codes locaux. Minimisez le nombre de raccords. Choisissez un endroit bien drainé qui ne sera pas inondé lorsqu'il pleut.
2. Déposez le filtre sur une surface solide et au niveau. Assurez-vous qu'il y a au moins un espace libre au-dessus du filtre de 30,5 cm (12 po) dans le cas du C225SC et de 45,7 cm (18 po) dans le cas du C1200SC. Respectez également les espaces libres de chaque côté du filtre et de la pompe comme indiqué dans la Figure 3. Prenez note de la position du drain, de la vanne de mise à l'air libre et du manomètre afin de les positionner pour qu'ils soient accessibles et faciles à utiliser.
3. Positionnez le filtre pour permettre un drainage adéquat.
4. Si possible, placez le filtre et la pompe dans un endroit ombragé pour les protéger contre les rayons directs du soleil.

	ESPACE LIBRE REQUIS			
	CÔTÉ		AU-DESSUS	
	POUCES	CM	POUCES	CM
C200SC	12	30	18	45
C225SC	12	30	12	30

Fig. 3


Fig. 1

Fig. 2

TUYAUTERIE

1. Les raccords d'unions fournis avec le filtre SwimClear sont de 2" x 2 1/2" (collées à l'aide d'un solvant). Le raccord union de 2" est un connecteur pour tuyau. Pour des tuyaux de 2 1/2", un raccord standard de 2 1/2" x 2 1/2" est nécessaire. Pour des raccords de 1 1/2", commandez le SPX1500JS. Pour des raccords filetés de 1 1/2", commandez le SPX1500JT. **Avant de coller un raccord à un tuyau à l'aide d'un solvant, n'oubliez pas de passer l'écrou dans le tuyau avec le filet dirigé vers le filtre. Pour vous assurer de coller adéquatement vos raccords à l'aide d'un solvant, vous devriez suivre les procédures décrites dans ASTM D2855 et ASTM F493.**
2. Consultez les Figures 1 et 2 pour visualiser l'aménagement de base de la tuyauterie et l'emplacement des vannes. Bien que les systèmes varient, l'objectif principal est d'obtenir une circulation de l'eau adéquate de la piscine vers la pompe et le filtre et ensuite de retour vers la piscine. Lorsque le filtre est placé sous le niveau de l'eau, assurez-vous d'installer des vannes pour empêcher un retour d'eau vers le filtre lors des nettoyages et de l'entretien courant.
3. Installez le joint d'étanchéité et vissez ensuite l'écrou-raccord au filtre afin de le raccorder à la pompe. Ce raccordement est celui qui se trouve au-dessus de la sortie de la pompe.
4. Installez le joint d'étanchéité et vissez ensuite l'écrou-raccord au filtre afin de le raccorder à la tuyauterie de retour vers la piscine.
5. Placez soigneusement la cartouche filtrante dans le filtre en vous assurant que la cartouche est installée également sur la partie centrale du collecteur situé au fond du filtre.
6. Placez la tête du filtre sur le filtre (assurez-vous que le joint torique de la tête du filtre est propre et bien en place).
7. Serrez l'anneau de retenue (en tournant en direction horaire) jusqu'à ce que la clenche de sécurité soit complètement engagée dans la fermeture.
8. Un bouchon pour le drain du filtre de 1 1/2" NPT est fourni avec chaque filtre. Lorsque vous procédez à un raccordement au filtre par le biais d'un raccord fileté, utilisez des adaptateurs en plastique. Enroulez trois tours de ruban PTFE (ou utilisez un scellant pour tuyau de plastique) sur les filets mâles. Vissez le raccord et serrez-le à la main; utilisez ensuite une clé à sangle pour faire un tour complet de plus. Il n'est pas nécessaire de serrer davantage; en fait, serrer davantage pourrait briser ou endommager la vanne.
9. Une vanne manuelle de mise à l'air libre est fournie pour permettre d'évacuer tout air résiduel dans le filtre au moment du démarrage.
10. Toutes les connexions électriques doivent être faites conformément aux codes locaux.
11. Vérifiez s'il y a des fuites aux joints avant de faire fonctionner le filtre.
12. Pour toute information au sujet de la pompe, consultez le guide d'utilisation de la pompe.

INSTALLATION DU FILTRE

Installez le filtre sur une dalle de béton nivelée ou sur une autre surface rigide afin de respecter tous les codes locaux, provinciaux, territoriaux et nationaux. Utilisez des pièces de fixation adéquates pour le matériau de la surface sur laquelle le filtre sera fixé. Utilisez 2 ou 4 des trous de fixation disponibles (consultez Fig. 1) à chaque coin opposé de la base du filtre afin de vous assurer que le filtre soit bien fixé et au niveau.

▲ MISE EN GARDE : Assurez-vous de ne pas trop serrer les pièces de fixation lorsque vous installez le filtre. Le non-respect de cette consigne pourrait causer des fissures dans la base du filtre près des trous de fixation et faire en sorte que le filtre soit instable.

DÉMARRER LE FILTRE

Assurez-vous que le drain du filtre est bloqué. Ouvrez la vanne de mise à l'air libre ainsi que les vannes d'aspiration et de retour (lorsqu'elles sont utilisées).

▲ MISE EN GARDE : Toutes les vannes d'aspiration et robinets de décharge doivent être ouvertes lors du démarrage du système. Omettre de le faire pourrait entraîner de graves blessures et/ou dommages matériels. Assurez-vous que l'anneau de retenue est verrouillé et en position de fermeture complète.

Tenez-vous à l'écart du filtre. Amorcez et démarrez la pompe en suivant les instructions du fabricant. L'air emprisonné dans le système s'évacuera automatiquement vers la piscine et par la vanne manuelle de mise à l'air libre. Fermez la vanne de mise à l'air libre lorsqu'un jet d'eau continu sort de la pompe (pas de l'air ou un mélange d'air et d'eau).

FILTRATION

La filtration commence dès qu'un jet d'eau continu circule à travers le filtre. Au fur et à mesure que l'eau circule, il y a accumulation de saletés dans le filtre ce qui entraîne une résistance à la circulation. Conséquemment, le manomètre indiquera une pression plus élevée et le débit diminuera. Lorsque le manomètre indique une pression de 7 à 10 psi (0,49 à 0,7 Bar) au-dessus de la pression initiale ou lorsque le débit diminue sous le taux de filtration souhaité, nettoyez ou remplacez la cartouche filtrante.

NETTOYER ET REMPLACER LA CARTOUCHE FILTRANTE

POUR ENLEVER LA CARTOUCHE FILTRANTE

1. Arrêtez la pompe.
2. Si le filtre se situe sous le niveau de l'eau, fermez les vannes ou isolez les lignes d'aspiration et de retour afin d'éviter un retour de l'eau de la piscine.
3. Enlevez le bouchon du drain du filtre et ouvrez la vanne manuelle de mise à l'air libre.
4. Débloquez la clenche de sécurité et dévissez l'anneau de retenue (en tournant en direction antihoraire). Soulevez doucement la tête du filtre par l'anneau de retenue pour accéder à la cartouche filtrante. (Placez la tête du filtre sur une surface plane en la déposant sur le dessus de la poignée).
5. Soulevez la cartouche et nettoyez-la ou remplacez-la par une cartouche de rechange propre (consultez Nettoyer la cartouche).
6. Nettoyez le joint torique de la tête du filtre.

RÉINSTALLER LA CARTOUCHE FILTRANTE

1. Nettoyez tous les débris accumulés au bas du filtre. Nettoyez la zone où se place le joint torique.
2. Remplacez soigneusement la cartouche filtrante dans le filtre en vous assurant que la cartouche est installée également sur la partie centrale du collecteur situé au fond du filtre.
3. Déposez la tête du filtre sur le filtre (assurez-vous que le joint torique de la tête du filtre est propre et bien en place).
4. Serrez l'anneau de retenue (en tournant en direction horaire) jusqu'à ce que la clenche de sécurité soit complètement engagée dans la fermeture.
5. Procédez ensuite comme au moment du DÉMARRAGE DU FILTRE.



NETTOYER LA CARTOUCHE

La cartouche filtrante peut être nettoyée en lavant l'intérieur et l'extérieur à l'aide d'un boyau d'arrosage. (La cartouche se nettoie plus facilement lorsqu'elle est sèche). Pour obtenir de meilleurs résultats, laissez sécher la cartouche après l'avoir nettoyée et brossez doucement la surface plissée pour enlever les particules fines. Ne lavez pas la cartouche à l'aide d'un nettoyeur à pression; elle pourrait être endommagée.

Afin de retirer des matériaux comme les crèmes solaires et les huiles pour le corps des plis de la cartouche, faites tremper la cartouche filtrante dans une solution d'un produit nettoyant pour cartouche filtrante (votre détaillant peut vous en proposer plusieurs marques). Suivez les instructions du fabricant quant à l'utilisation de ces produits nettoyants et faites tremper la cartouche pendant une heure. Rincez abondamment à l'aide d'un boyau d'arrosage avant de réinstaller la cartouche dans le filtre.

▲ MISE EN GARDE : Assurez-vous d'utiliser un contenant de plastique et manipulez les produits nettoyants avec prudence puisqu'ils peuvent irriter les yeux et la peau et endommager les vêtements.

PISCINES NON CHLORÉES

Les cartouches utilisées dans les piscines ou spas qui utilisent l'assainisseur Baquacil^{MD} ou tout autre produit semblable sans chlore doivent être nettoyées plus fréquemment que celles utilisées dans les piscines dotées d'un système au chlore. Consultez les instructions du fabricant pour connaître la fréquence, les instructions et les produits chimiques nécessaires pour nettoyer les cartouches dans ces systèmes. Baquacil^{MD} n'est pas compatible avec le chlore, le brome ou tout produit chimique à base de cuivre ou traitement-choc sans chlore.

Pour des raisons de commodité, une cartouche filtrante de rechange est un excellent investissement et vous assure que votre filtre est toujours prêt à fonctionner dans des conditions optimales.

PASSER L'ASPIRATEUR

Au besoin, vous pouvez passer l'aspirateur de sorte que les saletés passent directement dans le filtre. Nettoyez simplement la cartouche après avoir passé l'aspirateur si nécessaire.

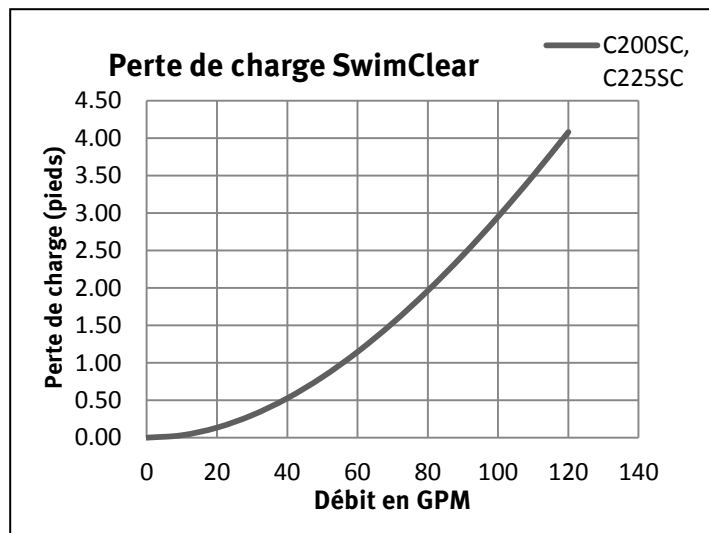
AMÉNAGEMENT HIVERNAL (Filtre)

Dans les régions où la température pourrait descendre sous zéro, le filtre doit être drainé, retiré de l'emplacement où il est installé et entreposé à l'intérieur. Enlevez et nettoyez la cartouche. Réinstallez la cartouche dans le filtre et serrez complètement l'anneau de retenue durant l'entreposage.

ENTRETIEN ET RÉPARATIONS

Consultez votre détaillant autorisé ou centre de service Hayward. Aucun retour ne sera effectué directement vers l'usine sans d'abord en avoir obtenu l'autorisation écrite de Hayward Pool Products.

MODÈLE	SURFACE EFFECTIVE DE FILTRATION		DÉBIT NOMINAL RÉSIDENTIEL		DÉBIT NOMINAL PUBLIC	
	pi²	m²	GPM	LPM	GPM	LPM
C200SC	200	18.6	120	454	75	284
C225SC	225	21	120	454	84	318
PRESSION MAXIMALE DE FONCTIONNEMENT POUR TOUS LES MODÈLES 50 PSI (3,45 BARS)						



PIÈCES
Modèles C200SC et C225SC

N° de réf.	N° DE PIÈCE	DESCRIPTION	N° REQUIS
1	ECX271261	Manomètre	1
2	CCX1000L	Adaptateur fileté pour manomètre	1
3	CXRLV1001	Vanne de mise à l'aire libre avec joint torique	1
4	CXGAR1001Pak2	Joint torique pour adaptateur de manomètre et vanne de mise à l'air libre (ensemble de 2)	1
5	CCX1000N	Écrou pour adaptateur (ensemble de 2)	2
6	CX200B	Tête de filtre	1
7	CXLRL1001	Clenche pour anneau de retenue	1
8	CXFHR1001	Joint torique pour tête de filtre	1
9a	CX200XRE	Cartouche filtrante C200SC	1
9b	CX225XREM	Cartouche filtrante C225SC	1
10	CXFBA1001	Boîtier du filtre	1
11	CXFDA200	Diffuseur du filtre	1
12	SP1022CBLK	Bouchon du drain avec joint torique	1
13	SPX3200UNKIT	Ensemble de raccords unions (2 écrous, 2 connecteurs et 2 joints d'étanchéité)	1
	OPTIONNEL		
	CX200XREBVS	Cartouche filtrante Blue Value 3 oz C200SC	1
	SPX1500JS	Raccord union 1 1/2"	1
	SPX1500JT	Raccord union 1 1/2" NPTF	1

