



HCF Series

COMMERCIAL CARTRIDGE FILTERS

High performance 700 ft²,
eco-friendly commercial
cartridge system



The new NSF listed, Dual Quad-Cluster commercial HCF7030C cartridge filter system features a massive 700 ft² of filter area providing heavy-duty, dirt-holding capacity and extra-long filter cycles.

The HCF7030C will prove to be a major contributor to any Pool or Spa operator driving to provide the ultimate in clear, fresh and safe water. It will reduce operation costs and enhance the eco-friendliness of the facility by saving thousands of gallons of carefully-balanced, heated pool water per month through the elimination of backwashing.

Ideal for new construction or retrofit, the HCF7030C is able to accommodate commercial flow rates to 150 GPM. The filter exterior is molded from a glass reinforced copolymer material, capable of meeting the rigorous demands of the commercial environment.

- 700 ft² of high performance filter media, effective particulate removal of 10-20 microns vs. 20-40 microns with sand
- Easy access to eight compact cartridges for fast, manageable cleaning
- 2" or 2½" connections with full 2" internal piping

HCF Series COMMERCIAL CARTRIDGE FILTERS

FEATURES

Manual Air Relief Valve
is a high capacity, rapid release manual valve that bleeds air with a quick quarter turn of the lever

Top Manifold
design provides excellent filtration and hydraulic performance

Heavy-Duty, Tamper-Proof, One-Piece Clamp
securely fastens tank top and bottom for quick access to all internal components without disturbing piping or connections

Self-Aligned Tank Top and Bottom
allows easy access to servicing Quad-Cluster cartridge elements

High-Strength Filter Tank
uses an injection molded, glass reinforced co-polymer to meet the demands of the toughest applications and environmental conditions

Full-Size 1½" Integral Drain
provides easy access and fast clean-out and flushing



Combination Pressure and Filter Cleaning Cycle Indicator Gauge
provides visual indication when cartridge filter elements need cleaning

Dual Quad-Cluster Cartridge Elements
provide 700 ft² of filter area for extra dirt-holding capacity and extended filter cycles

Ease of Use
Eight compact cartridges make change outs and cleaning fast and manageable

CPVC Union Coupling Connection
provides plumbing options of 2" or 2½" piping with 2" full flow internal piping for maximum performance

Noryl™ Bulkhead Fittings
for extra strength and heat resistance

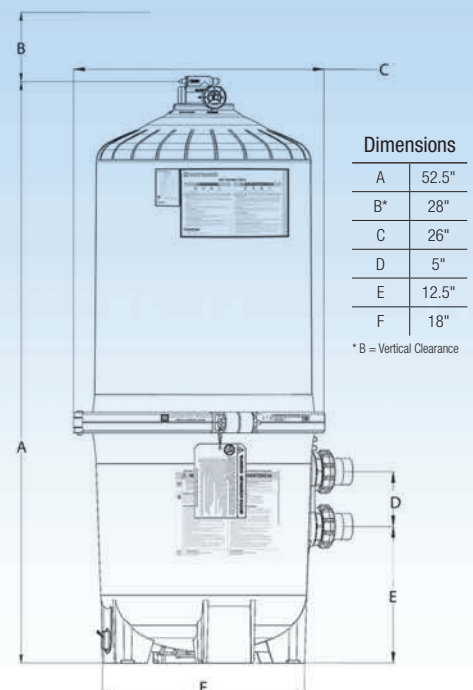
Low-Profile Tank Base Design
makes removal of cartridge elements fast and simple

TECHNICAL SPECIFICATIONS AND PERFORMANCE DATA

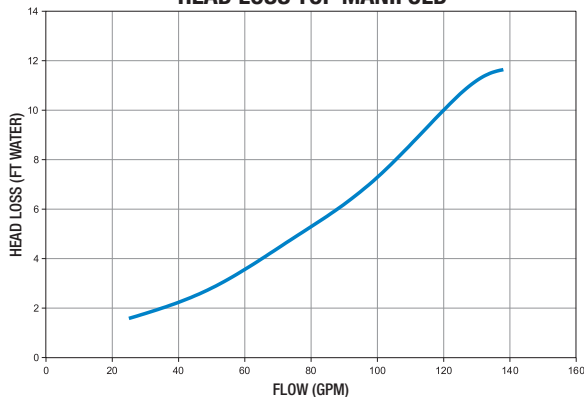
Model #	Product Dimensions	Effective Filtration Area	Design Flow Rate	Filter Type	Filter Tank	Filter Elements	Performance Range	Maximum Working Pressure	Turnover (in gallons)		Product Weight
									8 hrs	10 hrs	
HCF7030C	52.5 Tall, 26" Diameter	700 ft²	150** GPM	Dual Quad-Cluster Polyester Cartridge	Injection-Molded Glass Reinforced Co-Polymer	Eight Reinforced Polyester Cartridges	½ to 3 HP (30 to 150 GPM) .37 to 2.24 kW (114 to 568 LPM)	50 PSI	72,000	90,000	77 lbs.

** Determined by pump size and piping system hydraulics. 2½" piping is recommended for flow rates equal to or greater than 90 GPM (341 LPM). Hayward doesn't recommend flow rates above 150 GPM.

DIMENSIONS



HEAD LOSS TOP MANIFOLD



HCF7030C

GPM	HLF
0	-0.5
25	1.58
50	2.81
75	4.86
100	7.29
125	10.66
138	11.64



Hayward and Hayward Energy Solutions are registered trademarks of Hayward Industries, Inc. © 2011 Hayward Industries, Inc.

Contact your dedicated Hayward Commercial products team with questions: 1-800-657-2287 • 10101 Molecular Drive #200 • Rockville, MD 20850
Visit us at: www.haywardcommercialpool.com