

HAYWARD®

OWNER'S MANUAL INSTALLATION, OPERATION, & PARTS



Perflex Extended Cycle Filtration System EC40C90 Series

The Hayward® Perfex™ Filtration System is specifically designed for the demanding requirements of today's above-ground swimming pools. The advanced design reduces maintenance requirements while providing superior performance.

To prevent potential injury and to avoid unnecessary service calls, read this manual carefully and completely.

⚠ CAUTION – We highly recommend a qualified professional install and service this product.

⚠ WARNING – This manual contains important safety information that must be furnished to the end user of this product. FAILURE TO READ AND FOLLOW ALL INSTRUCTIONS COULD RESULT IN SERIOUS INJURY.

SAVE THIS INSTRUCTION MANUAL



HAYWARD POOL PRODUCTS, INC.

Corporate Headquarters:

620 Division Street
Elizabeth, NJ 07207

Canada:
2880 Plymouth Drive
Oakville, Ontario L6H 5R4

U.S.A.:

1 Hayward Industrial Drive
Clemmons, NC 27012

2935 Sidco Drive
Nashville, TN 37204

2875 Pomona Blvd.
Pomona, CA 91768

Europe:

Parc Industriel de la plaine de l'Ain
Allée des Chênes
01150 Saint Vulbas
France

PRODUCT REGISTRATION (Retain For Your Records)	
DATE OF INSTALLATION _____	
INITIAL PRESSURE GAUGE READING (CLEAN FILTER) _____	
PUMP MODEL _____	HORSEPOWER _____
FILTER MODEL _____	SERIAL NUMBER _____

IMPORTANT SAFETY INSTRUCTIONS

When installing and using this electrical equipment, basic safety precautions should always be followed, including the following: Failure to follow instructions may result in injury.

READ AND FOLLOW ALL INSTRUCTIONS IN THIS OWNER’S MANUAL AND ON EQUIPMENT.

KEEP SAFETY LABELS IN GOOD CONDITION AND REPLACE IF MISSING OR DAMAGED.

⚠ WARNING – To reduce risk of injury, do not permit children to use or climb on this product. The ANSI/NSPI 4 Standard (above-ground and on-ground pools) advises that components such as the filtration system, pumps, and heaters be positioned to prevent their being used as a means of access to the pool by young children. Closely supervise children at all times.

⚠ CAUTION – The Perflex™ Filtration System is intended for use on permanently installed above-ground swimming pools and may also be used with hot tubs and spas if so marked. Do NOT use with storable pools. A permanently installed pool is constructed in or on the ground or in a building such that it cannot be readily disassembled for storage. A storable pool is constructed so that it is capable of being readily disassembled for storage and reassembled to its original integrity.

Though this product is designed for outdoor use, it is strongly advised to protect the electrical components from the weather. Select a well-drained area, one that will not flood when it rains. It requires free circulation of air for cooling. Do not install in a damp or non-ventilated location.

Bond motor to pool structure. Use a solid copper conductor, size or larger. Run wire from external bonding lug to reinforcing rod or mesh. Connect a No. 8 AWG (8.4 mm²) solid copper bonding wire to the pressure wire connector provided on the motor housing and to all metal parts of swimming pool, spa, or hot tub, and to all electrical equipment, metal piping or conduit within 5 ft. (1.5 m) of inside walls of swimming pool, spa, or hot tub. (In Canada use No. 6 AWG bonding wire.)

Perflex™ Extended Cycle Filtration System

NOTE: The National Electrical Code (NEC) permits use of a cord with a maximum 3 ft. (1 m) length. If your pump is equipped with a cord complying with the NEC, the following three (3) items apply.



⚠ WARNING – Risk of Electric Shock. Connect only to a grounding type receptacle protected by a Ground Fault Circuit Interrupter (GFCI). Contact a qualified electrician if you cannot verify that the receptacle is protected by a GFCI.

⚠ WARNING – To reduce the risk of electric shock replace damaged cord immediately. Do NOT bury cord. Locate cord to minimize abuse from lawn mowers, hedge trimmers and other equipment.

⚠ WARNING – To reduce the risk of electric shock, do NOT use an extension cord to connect unit to electric supply. Provide a properly located outlet. Qualified personnel MUST do all electrical wiring.



⚠ CAUTION – All suction and discharge valves **MUST** be **OPEN** when starting the filter system. Failure to do so could result in severe personal injury and/or property damage. All drains and suction covers **MUST** have properly installed covers securely attached with the screws supplied with the covers. If screws are lost, order replacement parts from your supplier.

⚠ DANGER – Suction Entrapment Hazard. Never use the pool or spa if a drain cover is damaged, cracked, missing, or not securely attached. Suction in drains and suction outlets can cause drowning, dismemberment, hair or body entrapment, severe injury, and death. Dismemberment, entrapment, or drowning is possible when body parts or hair come in contact with damaged, broken, cracked, missing, or unsecured drain covers and suction outlets. Suction from pumps with only one drain or suction outlet can cause dismemberment, entrapment, or drowning. Pumps for pools and spas require two (2) functioning suction outlets at least three (3) feet apart, on two (2) walls or on the floor and one (1) wall of the pool or spa. Installation of pump and suction outlets must be in compliance with all applicable local building codes. Replace damaged, broken, cracked, missing, or unsecured drain covers and suction outlets immediately.

⚠ WARNING – Hazardous Pressure. Pumps, filters, and other equipment/components of a swimming pool filtration system operate under pressure. Incorrectly installed and/or improperly tested filtration equipment and/or components may fail resulting in injury and/or property damage. A qualified pool professional **MUST** conduct all pressure tests. This product is intended for above-ground/on-ground swimming pool applications only. Do NOT connect to a high-pressure system such as a municipal water main. To prevent explosion caused by entrapped air in the filtration system use provided air relief valve to bleed air from the system. Confirm that **ALL** filtration system component clamps, bolts, and covers have been tightened to the manufacturer's recommendations.

⚠ WARNING – Never operate or test the filtration system at more than 30 PSI.

SAVE THESE INSTRUCTIONS

Perflex™ Extended Cycle Filtration System

General Information

Introduction

This manual contains information for the proper installation and operation of the Hayward® Perflex™ Filtration System. All Perflex™ Filtration models are high performance, above-ground swimming pool filters. Instructions in this manual **MUST** be followed precisely.

The Hayward Perflex System is a high performance swimming pool filter system having an output rating of 2,400 gallons (9.1 KL) per hour. Manufactured from durable, corrosion-proof materials, the filter and pump are combined on a strong, molded mounting base. The system is designed for continuous operation and for installation below the pool water line. It may be used on fresh or salt-water swimming pools.

The Perflex Filter System uses diatomite filter powder (commonly called D.E.). D.E. is the most efficient dirt remover known for swimming pool filtration. It is normally fed into the system through the skimmer when the filter is initially started; then drained from the filter when it can no longer efficiently remove dirt from the water.

The Hayward Perflex D.E. filter provides the deepest, most comprehensive clean, removing microscopic dust and pollen as small as one micron - 100 times smaller than a grain of salt. It takes care of debris the first time through, so you can run it fewer hours per day.

Patented Flex-Tubes™ make the Hayward Perflex D.E. filter unique. D.E. filter powder coats the tubes and traps dirt and impurities as they pass through the filter. When the accumulated dirt builds up pressure and decreases the flow, conventional filters require backwashing. But with the Hayward Perflex D.E. filter, simply move the unique "Bump" handle up and down a few times to automatically activate the Flex-Tubes, repositioning the dirt and D.E. within the filter and extending the filter cycle. Through Perflex's exclusive "Bump" action, the D.E. is periodically regenerated and the filter cycle extended without changing the powder. When the filter powder is totally used, the "Bump" action makes it possible to drain the used diatomite without backwashing or dismantling the filter.

The Power-Flo Matrix™ Pump Series has been engineered as a uniquely superior above-ground pool pump. With the single push of a button, this truly versatile pump changes from a vertical to a horizontal discharge and back again. It's large profile and integrated styling makes the Power-Flo Matrix a swimming pool pump like no other. It is driven by a heavy duty motor, which is electrically isolated and insulated from the pool water. Output pressure and flow are tuned to the filter, resulting in a perfectly balanced, non-corrosive system.

Product Features

- Designed for large above-ground pools
- Clamp for the EC40AC model requires only two (2) nuts and bolts
- Power-Flo Matrix™ Series high-performance pump
- Quick-connect union
- Modular platform base

Perflex™ Filtration Performance Data

Model No.		EC30	EC40C	EC50C
Effective Filtration Area		15 FT²	20 FT²	25 FT²
Design Flow Rate		30 GPM	40 GPM	50 GPM
Turnover	8 hours	14,400 GAL	19,200 GAL	24,000 GAL
	12 hours	21,600 GAL	28,800 GAL	36,000 GAL

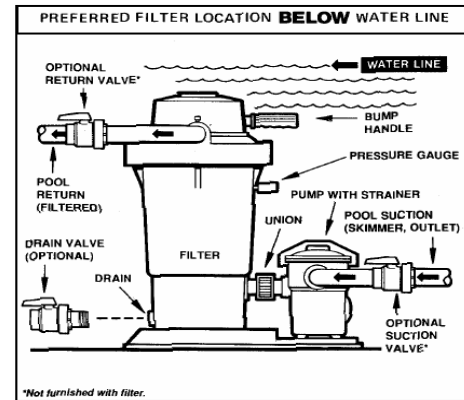
Installation Instructions

System Location

For best pump performance, the system **MUST** be located below the pool water line (See Figure to the right).

Install the system on a firm, level base or pad to meet all local and national codes. The field supplied base or pad must be level and vibration-free. Keep the filter bump handle, drain outlet, and pressure gauge accessible for convenient operation. There is an alternate bump handle location on the other side of the filter outlet. Instructions for changing the handle position are covered later.

Though the pump is designed for outdoor use, it is strongly advised to protect the electrical components from the weather. Select a well-drained area, one that will not flood when it rains. Pump motors require free circulation of air for cooling. Do not install pump in a damp or non-ventilated location.



NOTE: ANSISPI-4 Article V, standard for above-ground and on-ground pools, advises that components such as the filtration system, pumps, and heater be positioned so as to prevent their being used as a means of access to the pool by young children.

Plumbing & Installation

1. To facilitate servicing of the filter system and to allow for indoor storage during the winter months, installing union connections at the suction and outlet ports is recommended.
2. Use 1-1/4" or 1-1/2" I.D. flexible plastic pipe, or hose, joined with insert fittings and stainless steel clamps.
3. All plumbing connections on the system are 1 1/2" N.P.T. When making connections, use plastic male-end adapters. Apply three (3) turns of Teflon tape or plastic pipe sealant to the male threads. Screw the fitting into the thread hand-tight; then using a wrench, tighten one more full turn, if necessary. (NOTE: Adapters have varying tolerances and over-tightening with a wrench may only cause damage to the filter.) Ball type valves are recommended where needed.
4. Use **Teflon tape** to seal threaded connections on molded plastic components. All plastic fittings must be new or thoroughly cleaned before use. **NOTE: Do NOT use Plumber's Pipe Dope as it may cause cracking of the plastic components.** When applying **Teflon tape** to plastic threads, wrap the entire threaded portion of the male fitting with one to two layers of tape. Wind the tape clockwise as you face the open end of the fitting, beginning at the end of the fitting.
5. Tighten pump base mounting bolts, if loose.
6. Securely *hand tighten* the union nut between the filter and pump.
7. Connect the pool suction plumbing between the skimmer, pool outlet, and the pump. Connect the pool return (inlet) plumbing.
8. If pressure gauge is not installed, apply Teflon tape to the gauge threads, and *carefully* screw the gauge into the threaded hole in the side of the filter body.
9. A filter drain plug, with gasket, is furnished with each filter and is all that is needed for complete filter draining. If desired however, drain piping may be extended from the filter by using the optional Drain Valve Kit (Model SP0723) and an appropriate length of 1-1/2" pipe. Piping must slope away from the filter so the tank can drain by gravity.
10. All electrical connections should be made in accordance with applicable electrical codes.
11. Check for joint leaks before operating system.
12. Refer to pump instruction booklet for pump information.

Prior to Start-Up

Before Starting the Filter System

1. Obtain a supply of operating chemicals, D.E., and a pool test kit. Use only the swimming pool grades of D.E., such as:

CELATOM (Eagle-Picher Industries, Inc.)
AQUA-CEL (Johns-Manville Products Corporation)
DICALITE 4200 (Grefco, Inc.)
WITCO (Witco Corporation)
2. Superchlorinate the pool water by adding unstabilized granular or liquid chlorine. Stabilized forms of chlorine are recommended for normal daily use after the initial clean up of the water. Follow chemical manufacturer's recommendations for superchlorination and daily use.

Important Safety Instructions - Read and follow all instructions

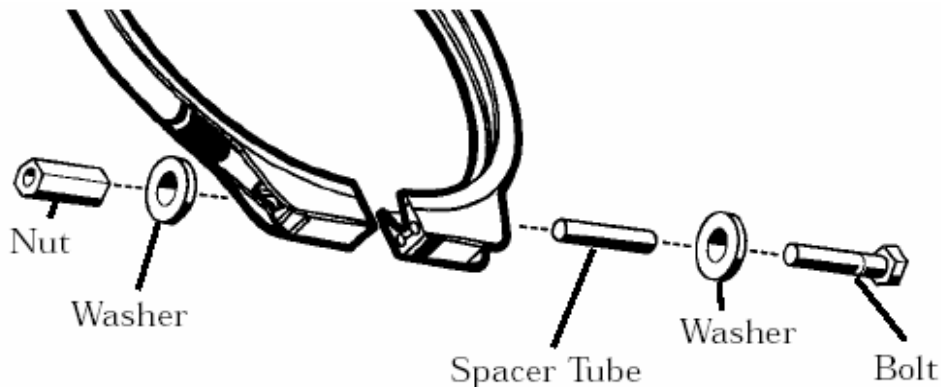
When installing and using this equipment, basic safety precautions **MUST** always be followed.

⚠ WARNING – Pump and Filter System Operates Under High Pressure. Failure to follow instructions may result in serious injury.

1. Always turn OFF pump and relieve tank pressure by opening Air Relief Valve before loosening Center Clamp or servicing filter.
2. To re-assemble Clamp on filter, make sure Clamp is located and centered properly over the filter flange. If Clamp is tight, tap Clamp with rubber mallet or block of wood to help seat it.

Slide a Washer over each Bolt followed by a Spacer Tube. Insert Bolt assembly through both Clamp Halves. Slide on a Washer, secure with Hex Nut and hand tighten. Repeat on other side of Clamp.

Alternately tighten both Bolt assemblies using a wrench and socket (1/2" drive). Alternately tighten until Spacer Tube is engaged (approx. 100 in-lbs.). Finally, tighten ¼ to ½ turn to secure (approx. 100 in-lbs.).



3. To re-start system, open all in-line valves. Open Air Relief Valve before starting pump. Stand clear of filter and prime and start the pump per the manufacturer's instructions. When a steady stream of water emerges from the Air Relief Valve, close Air Relief Valve.

Start-Up & Operation

Starting the Filter

Close the filter drain and the vent valve.

⚠ CAUTION – All suction and outlet valves MUST be OPEN before operating the filter system. Failure to do so could cause severe personal injury and/or property damage.

1. Prime and start the pump following the manufacturer's instructions.
2. Air trapped in the system will automatically vent to the pool. Once air has escaped the filter and a steady stream of water is returning to the pool, the filter is ready for pre-coating. DO NOT operate the filter for more than one (1) minute without the pre-coat charge.

Pre-Coating

Scoop 4 lbs. (1.8 kgs.) or 6 No. 1 coffee cans of diatomite (D.E.) into the system through the skimmer as fast as the plumbing will take it. Note and record the pressure gauge reading after the diatomite (D.E.) has been added. This is the "Pre-Coat Pressure".

Filtering

Filtration starts as soon as the filter has been pre-coated. As the filter removes dirt from the pool water, the accumulated dirt causes a resistance to flow. As a result, the gauge pressure will rise and the flow will decrease. When the pressure rises 7-10 psi (.49-.70 Bar) above the pre-coat pressure, regenerate the filter.

Regeneration (Extending the Cycle)

Stop the pump. Move the bump handle down slowly, then up briskly. Repeat 3 times. Restart the pump and filtration will resume at near the original flow and pressure.

After each regeneration, and until the filter is cleaned, there may be a slight increase in the starting pressure. This is the result of dirt accumulating within the filter and is completely normal.

Cleaning

Cleaning is recommended when the pressure gauge rises more than 10 psi (.70 Bar) in less than a 24 hour period or when cloudy water returns to the pool for more than 30 seconds after regeneration. To clean, first stop the pump; then move the bump handle down slowly, then up briskly. Repeat 8 times. Open the vent valve (under bump cover), open the filter drain plug (Note: If the filter is installed below the pool water line, close the suction and outlet valves) and allow water and dirt to empty completely.

After the filter has drained, and with the drain still open, run the pump for a few seconds to flush out any dirt remaining in the bottom of the filter. (Note: If the filter is installed below the pool water line, opening the *suction* valve for a few seconds with the pump off will adequately flush the unit.)

Close the filter drain plug and the vent valve. Open the suction and outlet valves (when used). Start the pump and let the filter fill with water and repeat the "Cleaning" procedure. This completes the cleaning phase. The filter is now ready for re-charging. Proceed as in "Starting the Filter" and "Pre-Coating".

Vacuuming

Vacuuming can be performed directly into the filter whenever needed. For fastest results, regenerate the filter before and after each vacuuming operation.

Start-Up & Operation (cont.)

To Change Bump Handle Position

1. Remove the bump handle grip. Push in tab at base of handle. Carefully pry the bump cover from the retaining groove and slide the cover off the handle.
2. Using a drift (or 10 penny nail), tap the pivot pin out of the filter head anchor point, freeing the end of the handle.
3. Rotate the bump handle to the alternate position and align the handle and the head anchor holes. Tap the pivot pin in place.
4. Reinstall the bump cover and grip.

Preventative Maintenance

While Perflex filters are basically resistant to the difficulties often encountered as a result of chemical build-up in swimming pools, it is important to keep in mind that the mineral content in a pool increases every day as a result of the chemicals and the normal water evaporation process. If the concentration of minerals is allowed to get too high, the minerals will form deposits on the Flex-Tubes inside the filter, and will eventually result in shortened filter cycles. To guard against this, a yearly chemical cleaning (soaking) of the Flex-Tube assembly is suggested. Use commercially available 20% muriatic acid added to water in 1 to 1 ratio; **OR** use other commercial filter element cleaner mixed in accordance to the package instructions.

⚠ WARNING – Use a plastic container and take extreme care – harmful to eyes, skin, and clothing. Always wear rubber gloves and eye protection.

⚠ WARNING – Do NOT add water to acid.

⚠ WARNING – Do NOT mix chlorine and acid.

After cleaning, thoroughly flush all affected parts with cold water.

Winterization

In areas where sub-freezing temperatures can be expected, the filter should be drained and removed from its operating location and stored indoors. Prior to removal, cycle the filter as described under "Cleaning".

Service & Repairs

Consult your local authorized Hayward-Perflex dealer or service center. No returns may be made directly to the factory without the expressed written authorization of Hayward Pool Products, Inc.

Pool Chemistry Guidelines

Suggested Pool Chemistry Levels	Action Required to Correct Pool Chemistry	
	To Raise	To Lower
pH 7.2 to 7.6	Add Soda Ash	Add Muriatic Acid or Sodium Bisulphate
Total Alkalinity 100 to 130 ppm	Add Sodium Bicarbonate	Add Muriatic Acid
Chlorine (Unstabilized) 0.3 to 1.0 ppm	Add Chlorine Chemical	No action - Chlorine will naturally dissipate
Chlorine (Stabilized) 1.0 to 3.0 ppm	Add Chlorine Chemical	No action - Chlorine will naturally dissipate
Chlorine Stabilizer (Cyanuric Acid) 40 to 70 ppm	Add Stabilizer	Dilution - partially drain & refill pool with water that has not been treated with Cyanuric Acid.

Perflex™ Extended Cycle Filtration System

Troubleshooting

Problem	Probable Cause	Remedy
Running at high pressures.	D.E. coated with normal accumulation of pool dirt, algae, etc.	Bump
	Overcharge of D.E.	Bump-Drain-Recharge.
	Restriction in return line caused by small eyeball fitting.	Change to larger size fitting.
	Partially closed valve on return line.	Open valve.
Drop off of return flow.	D.E. coated with normal accumulation of pool dirt, algae, etc.	Bump.
	Pump strainer basket clogged.	Clean.
	Skimmer basket clogged.	Clean.
	Pump impeller vanes clogged.	Cleaning with a stiff wire brush through the pump strainer opening will usually work. Alternate method would be to disassemble and clean.
	Air leak on suction side of pump.	Check cover gasket, hand knobs, hose, clamps, etc. Replace or tighten as necessary.
	Electric motor running less than maximum R.P.M. (underspeed).	Consult pump and motor troubleshooting guide. Note: Most motor problems are due to: 1. Undersized or improper wiring. 2. Power cut-backs. 3. Combination of both 1 & 2.
Short cycles.	D.E. loaded to capacity with pool dirt, algae, etc.	Bump-Drain-Recharge.
	Bumping incorrectly.	Slow down stroke - brisk up stroke. Repeat 6 times.
	Bump handle bent.	Check and straighten or replace.
	Pump output exceeds design flow rate of filter.	Check GPM/LPM output. Regulate pump GPM/LPM output to max. filter GPM/LPM rating.
	Presence of algae.	Super-chlorinate; Bump-Drain-Recharge as needed.

Perflex™ Extended Cycle Filtration System

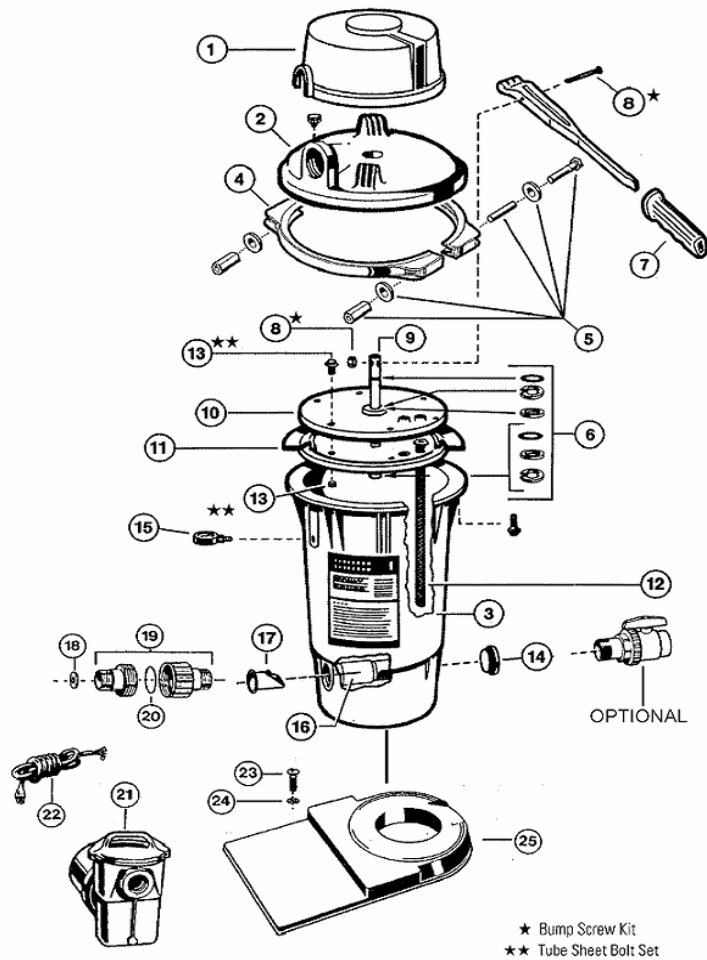
Troubleshooting (cont.)

Problem	Probable Cause	Remedy
Short cycles - even after proper Bump-Drain-Recharge.	Contaminated (clogged) Flex-Tube braids caused by: 1. Natural accumulation of chemical deposits (accelerated if chemicals are fed through skimmer). 2. Running D.E. charge too long with excessive amount of live algae present in pool. 3. Operating filter without D.E. 4. Operating too long without D.E. after starting pump. D.E. must be added as soon as filter is full of water and pump is putting out a steady stream. IMPORTANT - Testing a new pool plumbing system without adding D.E. will cause this type of clogging.	Clean tube nest (2 methods) 1. Detergent Cleaning: Remove tube nest and hose down with forceful stream of clean water. Soak tube nest in strong solution of laundry detergent (such as Cheer) and warm water. Hose down again. 2. Chemical Cleaning: This requires use of water and muriatic acid solution (or filter cleaner-type preparations) to chemically dissolve contaminants. Consult your pool dealer for chemical cleaning instructions.
D.E. leaking to pool via the return lines.	Opening or tear in one or more Flex-Tubes.	Replace Flex-Tube.
	Rip or hole in diaphragm gasket.	Replace gasket.
	Worn or loose fitting diaphragm gasket (chemicals fed through suction lines may shorten life of this part.)	Replace gasket.
	Loose bolts on tube nest plates.	Tighten bolts.
Hard bumping.	Caking of D.E. under tube sheet. Sometimes caused by accumulation of sun tan oils, hair, or floating particles that bind together in a clay-like form.	Bump-Drain-Recharge more often and reduce the use of oils.
	Overloaded with D.E. Sometimes happens when last charge of dirty D.E. was not properly drained.	Bump-Drain-Recharge with proper amount of D.E.
	Filter runs too long between bumping.	Bump more frequently.
D.E. leaking back to pool via skimmer or main drain.	Filter check valve worn or stuck open.	Clean and/or replace.
Very short cycles when vacuuming.	Very dirty water.	Bump-Drain-Recharge more often.
	Presence of live, vigorously growing algae.	Add enough chlorine to control this growth - then vacuum.
	Presence of alum or flocking agents which will clog filter.	Vacuum so as to bypass filter. Avoid using flocking agents.

Perflex™ Extended Cycle Filtration System

Replacement Parts

Parts Diagram



Parts Listing

Ref. No.	Part No.	Description	No. Req'd
1	ECX10066	Bump Mechanism Cover	1
2	ECX5000BP	Filter Head with Vent Valve	1
3	ECX4034	Filter Body with Flow Diffuser	1
4	ECX4000C	Clamp Assembly with Hardware	1
5	ECX4000CHK	Hardware Kit for Clamp Assembly	1
6	ECX1014A	Shaft Kit	1
7	ECX1037B	Bump Handle Grip-Noryl®	1
8	ECX4236A	Bump Handle Screw Kit	1
9	ECX5000F	Bump Shaft, 1/2"	1
10	ECX1004	Tube Sheet (Top/Bottom)	2
11	ECX5000G	Diaphragm Gasket	1
12	ECX1031	Flex-Tube Assembly (EC40)	72
13	SPX1500NYA	Tube Sheet Bolt Set	6
14	SP1022C	Plug with Gasket	1
—	SP0723	Ball-Type Drain Valve with Nipple	1
15	ECX27081	Pressure Gauge	1
16	ECX1256	Flow Diffuser with Check Valve	1
17	ECX4077B1	Check Valve	1
18	SPX1055	Flow Controller	1
—	ECX4035	Flex-Tube Nest (Includes 6, 9, 10, 11, 12, 13)	1
19	SP1480	1 1/2" Male Union	1
20	SPX142576	O-Ring	1
21	—	Power-Flo Matrix Pump	1
22	SPX1250WA	6 ft. Cord Set	1
23	ECX1108	Pump Mounting Screw	1
24	ECX1109	Washer	1
25	EC1161	Platform Base	1

HAYWARD® LIMITED WARRANTY

This filter system was inspected before shipment from our plant. To original purchasers of this filter system, Hayward Pool Products, Inc., 620 Division Street, Elizabeth, New Jersey, warrants its products free from defects in materials and workmanship for a period of **ONE (1)** year from the date of purchase.

Parts which fail or become defective during the warranty period, except as a result of freezing, negligence, improper installation, use, or care, shall be repaired or replaced, at our option, without charge, within 90 days of the receipt of defective product, barring unforeseen delays.

To obtain warranty replacements or repair, defective components or parts should be returned, transportation paid, to the place of purchase, or to the nearest authorized Hayward service center. For further Hayward dealer or service center information, contact Hayward customer service department. No returns may be made directly to the factory without the express written authorization of Hayward Pool Products, Inc.

All other conditions and terms of the standard warranty apply.

Hayward shall not be responsible for cartage, removal and/or reinstallation labor or any other such costs incurred in obtaining warranty replacements.

The Hayward Pool Products warranty does not apply to components manufactured by others. For such products, the warranty established by the respective manufacturer will apply.

Some states do not allow a limitation on how long an implied warranty lasts, or the exclusion or limitation of incidental or consequential damages, so the above limitation or exclusion may not apply to you.

This warranty gives you specific legal rights, and you may also have other rights, which vary from state to state.

Hayward Pool Products, Inc.
620 Division Street
Elizabeth, NJ 07207

*Supersedes all previous publications.

▲ Retain this Warranty Certificate (upper portion) in a safe and convenient location for your records.

▼ DETACH HERE: Fill out bottom portion completely and mail within 10 days of purchase/installation.



HAYWARD®

Mail to: Hayward Pool Products, Inc., 620 Division Street, Elizabeth, NJ 07207, Attn: Warranty Dept.

Warranty Registration Card

Name _____

Years pool has been in service less than 1 1-3 3-5 5-10

Address _____

Purchased from:
Company name _____

City _____ State _____ Zip _____

Address _____

E-mail Address: _____

City _____ State _____ Zip _____

Product Purchased _____

Product Serial No. _____

New Installation Replacement

Please send me more information on these other products from Hayward:

Type of Pool:
 In-ground Vinyl Fiberglass Gunite Above-ground

Pump Filter Automatic Pool Cleaner
 Light Chlorinator Skimmer
 Heater

Size of Pool _____