



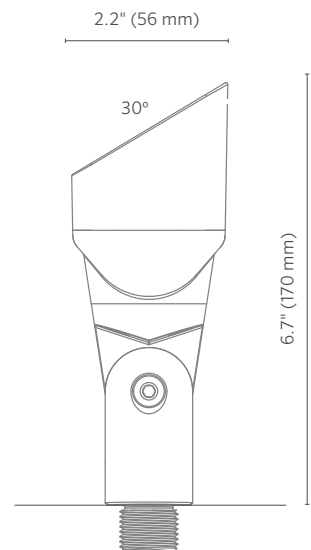
PROJECT
CATALOG #
TYPE
NOTES

## PB Up Light DESIGNER PLUS

Medium-sized wall wash light in 1 or 3 LED. Available in brass construction. RGBW capable with Luxor® ZDC systems.

### Quick Facts

- Brass construction
- Natural or antique brass finishes
- Cree® integrated LEDs
- ProAim™ adjustability
- Tamper-resistant features
- Color temperature filters
- Compatible with Luxor technology
- Phase and PWM dimmable
- Input voltage: 10-15V



# PB Up Light SPECIFICATIONS

Output	1LED	3LED	3LEDT	ZDC
<b>Total Lumens†</b>	67	160	146	122
<b>Input Voltage</b>	10 to 15V	10 to 15V	10 to 15V	11 to 15V
<b>Input Power (W)</b>	2.0	4.2	4.2	6.0
<b>VA</b>	2.4	4.5	4.5	7.2
<b>Efficacy (Lumens/Watt)</b>	34	39	42	37
<b>Color Rendering Index (CRI)</b>	83	82	--	83
<b>Center Beam Candlepower</b>	37	93	304	122
<b>Dimming</b>	PWM, Phase**	PWM, Phase**	PWM, Phase**	--
<b>RGBW Available</b>	No	No	No	Yes
<b>Luxor Compatibility</b>				
<b>Default</b>	Zoning	Zoning	--	--
<b>ZD Option</b>	Zoning/Dimming	Zoning/Dimming	Zoning/Dimming	--
<b>ZDC Option</b>	--	--	--	Zoning/Dimming/Color
<b>Minimum Rated Life (L70)</b>	50,000 Hrs	50,000 Hrs	50,000 Hrs	50,000 Hrs

\*\* For optimal performance, use a trailing-edge, phase-cut dimmer.

† Measured using the 3,900K CCT lens. Multipliers for other CCTs include 0.80 (2,700K), 0.65 (4,500K), and 0.65 (5,200K).

## FX Luminaire

FX Luminaire is an industry-leading manufacturer of landscape and architectural lighting products with a focus on the advancement of LED technology and digital lighting control with zoning, dimming, and color adjustment capabilities. We offer a full spectrum of highly efficient lighting fixtures that can be utilized to create elegant, cutting-edge landscape lighting systems for commercial or residential applications. Our products are available exclusively via our extensive professional distributor network.

## Materials

Die-cast C360 brass housing, shroud, and knuckle/base assembly with brass hardware.

## Socket

Socket contains MoistureBlock™ technology, preventing moisture from wicking up into sealed areas of the fixture.

## Lamp

Integrated module with Cree LEDs. Gold-plated connectors and conformal coated for maximum reliability and corrosion resistance. Proprietary on-board intelligent driver uses firmware-controlled temperature regulation, maximizing LED life. Field upgradeable and replaceable, the LEDs are rated to 50,000 hrs. Maximum drive current: 1 A.

## Optics

Polycarbonate color temperature adjustment lenses included with fixture: 2,700K (preinstalled), 3,900K (no lens), 4,500K, and 5,200K. Color temperature lenses field serviceable. Beam angle is calculated using LM-79 method for SSL luminaires.

## Wiring

18 AWG (1 mm); SPT-1W; 220°F (105°C); 300V; 10' (3 m) length.

## Shroud

Die-cast brass shroud with 30° cutoff.

## Power

Input 10-15VAC/VDC 50/60Hz. Remote transformer required (specify separately).

## Housing

Die-cast brass housing with capacity for 1LED, 3LED, or ZDC integrated LEDs.

## Knuckle

Die-cast brass knuckle with ½"-14 (13 mm) NPSM threads. Compress and lock features prevent slip after installation. 9° increments adjustability over 220° of vertical adjustment.

## Lens

Tempered frosted glass lens with shock resistance and high tolerance for thermal expansion and stress.

## Finish

Options of natural brass finish, or antiqued finish with brushed (Antique Bronze) or tumbled (Antique Tumbled) effect. Antiqued finishes sealed with a clear TGIC powder coat layer.

## Hardware

Brass angle lock screw with setscrew. Includes ProAim ratcheting ABS spike for 360° horizontal rotation in 10° increments. Tamper-resistant locking screw included.

## Ambient Operating Temperature

0°F to 140°F (-18°C to 60°C)

## Weight

2.4 lbs. (1.1 kg)

## Control

ZD or ZDC utilizes Luxor technology to zone light fixtures in up to 250 groups, dim each group in 1% increments between 0 and 100%, or change to one of 30,000 colors with RGBW LEDs. Select the ZD option for zoning/dimming or ZDC for zoning/dimming/color. Standard fixture is zoneable with Luxor.

## Installation Requirements

Designed for installation in the upward direction only.

## Wildlife-Friendly Lighting

Available with wildlife-friendly amber LEDs.

## Manufacturing

ISO 9001:2015 certified facility

## Sustainability

Innovation meets conservation in the design and manufacturing of our products. Where we can, we use recycled materials while maintaining superior functionality. Our LED products provide high-quality light at optimal energy efficiency, lifespan, and durability.

## Warranty

10-year limited warranty.

## Listings



# PB Up Light ORDERING INFORMATION

Fixture	Luxor Option	Output	Int'l Option	Finish	
PB*	■ [default] Zone	■ 1LED 67 Lumens	■ [default] ½" (13 mm) Thread	■ BS Natural Brass	■ WG White Gloss
	■ ZD Zone/Dim	■ 3LED 160 Lumens	■ e Bracket Mount	■ BZ Bronze Metallic	■ FW Flat White
		■ 3LEDT** Wildlife-Friendly Amber (585-595 nm)		■ DG Desert Granite	■ AL Almond
	■ ZDC Zone/Dim/Color	■ [default] 122 Lumens		■ WI Weathered Iron	■ AB Antique Bronze
				■ SB Sedona Brown	■ AT Antique Tumbled
				■ FB Black	■ NP Nickel Plate

EXAMPLE FIXTURE CONFIGURATION: PB-ZD-1LED-AT



\* Ships with ProAim ratcheting spike

\*\* Available with ZD Luxor option and BS, AB, AT, or NP finishes only.

## MOUNTING OPTIONS: Specify Separately

Mounts	Code	
■ SUPER J-BOX 2.5" (64 mm) x 12" (305 mm)	SJ-XX*	
■ POST MOUNT 2.5" (64 mm) x 13" (330 mm)	PM-XX*	
■ GROUND MOUNT 2.7" (67 mm) Diameter	GM-XX*	
■ VERSABOX 2.2" (57 mm) x 1.5" (39 mm)	VB-050-XX*	
■ GUTTER MOUNT 4.0" (102 mm) x 4.0" (102 mm)	GM-SS	
■ MINI J-BOX 3.5" (89 mm) x 1.3" (34 mm)	MJ-050-XX*	
■ TREE BOX 5.4" (138 mm) x 1.9" (49 mm)	TB-XX*	
■ WALL PLATE: Round 5.0" (127 mm) Diameter	WP-RD-050-XX*	

## COUPLING OPTIONS: Specify Separately

Couplings	Code	
■ STRAIGHT 1.3" (32 mm) x 2.0" (51 mm)	COUP-XX*	
■ 90° ELBOW 1.3" (32 mm) x 2.0" (51 mm)	ELBW-050-XX*	
■ T-MOUNT 3.0" (76 mm) x 2.2" (57 mm)	TMNT-050-XX*	

## RISER OPTIONS: Specify Separately

Riser	Code	
■ RISER 1.0" (25 mm) Diameter	YY-R-GT-XX*	

\*YY = riser height in inches (6" increments between 6" and 36"; 15 cm increments between 15 cm and 90 cm), XX = finish code

## PB 1LED Illuminance at a Distance

Feet (Meters)	Center Beam	Beam Width	
	Foot-Candle (Lux)	Vertical 73.3°	Horizontal 95.6°
4' (1.2 m)	2 fc (25 lx)	6' (1.8 m)	9' (2.7 m)
8' (2.4 m)	0.6 fc (7 lx)	12' (3.6 m)	18' (5.4 m)
12' (3.7 m)	0.2 fc (2 lx)	18' (5.4 m)	27' (8.1 m)
16' (4.9 m)	0.1 fc (1 lx)	24' (7.3 m)	35' (10.8 m)
20' (6.1 m)	0.1 fc (1 lx)	30' (9.1 m)	44' (13.4 m)
24' (7.3 m)	0.1 fc (1 lx)	36' (10.9 m)	53' (16.1 m)

## PB 3LED Illuminance at a Distance

Feet (Meters)	Center Beam	Beam Width	
	Foot-Candle (Lux)	Vertical 69.4°	Horizontal 93.0°
4' (1.2 m)	6 fc (62 lx)	6' (1.7 m)	8' (2.6 m)
8' (2.4 m)	1.5 fc (16 lx)	11' (3.4 m)	17' (5.2 m)
12' (3.7 m)	0.7 fc (8 lx)	17' (5.0 m)	25' (7.7 m)
16' (4.9 m)	0.4 fc (4 lx)	22' (6.8 m)	34' (10.3 m)
20' (6.1 m)	0.2 fc (2 lx)	28' (8.4 m)	42' (12.9 m)
24' (7.3 m)	0.2 fc (2 lx)	33' (10.1 m)	51' (15.4 m)

## PB 3LEDT Illuminance at a Distance

Feet (Meters)	Center Beam	Beam Width	
	Foot-Candle (Lux)	Vertical 69.4°	Horizontal 93.0°
4' (1.2 m)	19 fc (203 lx)	2' (0.6 m)	2.2' (0.7 m)
8' (2.4 m)	5 fc (60 lx)	4' (1.3 m)	4.3' (1.3 m)
12' (3.7 m)	2 fc (23 lx)	6' (1.9 m)	6.5' (2.0 m)
16' (4.9 m)	1.2 fc (13 lx)	8' (2.5 m)	8.7' (2.7 m)
20' (6.1 m)	0.8 fc (9 lx)	10' (3.2 m)	10.8' (3.3 m)
24' (7.3 m)	0.5 fc (5 lx)	13' (3.9 m)	13' (3.9 m)

## PB zDC Illuminance at a Distance

Feet (Meters)	Center Beam	Beam Width	
	Foot-Candle (Lux)	Vertical 52.3°	Horizontal 54.1°
4' (1.2 m)	7.6 fc (82 lx)	4' (1.2 m)	4' (1.3 m)
8' (2.4 m)	1.9 fc (21 lx)	8' (2.4 m)	8' (2.5 m)
12' (3.7 m)	0.9 fc (10 lx)	12' (3.6 m)	12' (3.8 m)
16' (4.9 m)	0.5 fc (5 lx)	16' (4.8 m)	16' (5.0 m)
20' (6.1 m)	0.3 fc (3 lx)	20' (6.0 m)	20' (6.2 m)
24' (7.3 m)	0.2 fc (2 lx)	24' (7.2 m)	25' (7.5 m)