

Type:

Model:

BODACIOUS Integrated LED Downlight

SPECIFICATIONS

VOLTAGE:

12V AC/DC

HOUSING:

Cast brass with removable 3" shroud.
Optional 6" shroud available.

FINISH:

Weathered brass. Custom powder coated colors available.

LENS:

Tempered glass.

MOUNTING:

Threaded with 1/2" NPT. May be mounted into threaded hubs in junction boxes or mounting accessories.

WIRING:

Pre-wired with a five-foot pigtail of 18/2 cable.

WARRANTY:

10-year warranty

Opt. 6" extended shroud
3W & 6W
#490260

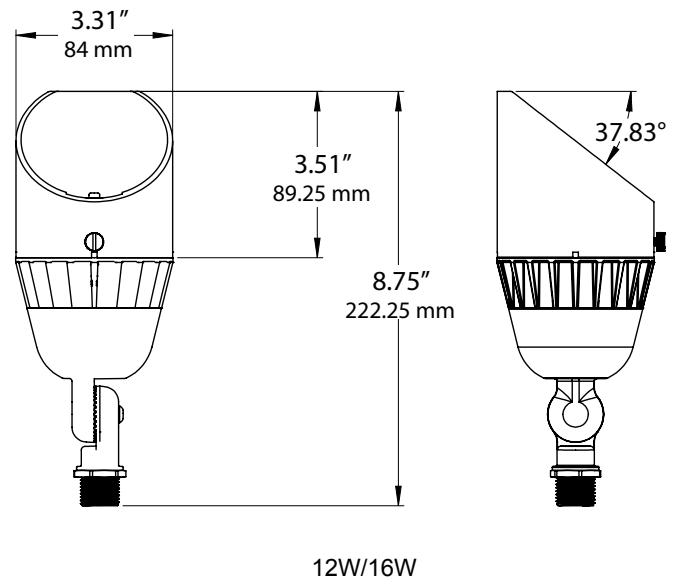
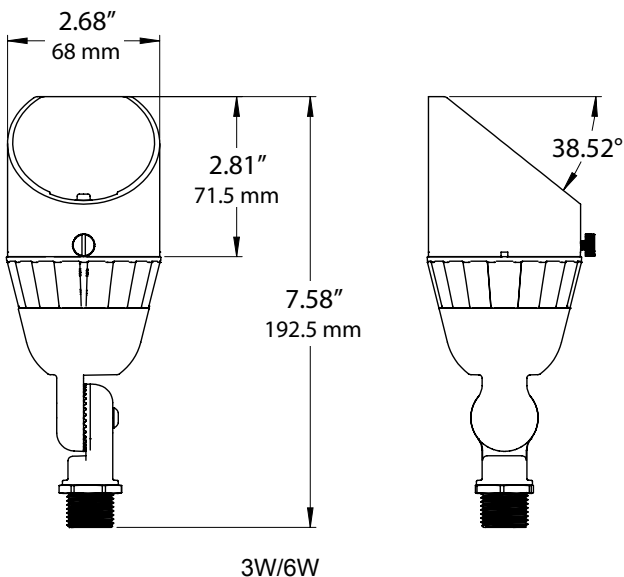


Opt. 6" extended shroud
12W & 16W
#490261



The Bodacious downlight features an integrated LED source available in 3, 6, 12 or 16 watts. 2700K, 3000K and 5000K options. 30-, 45-, 65- and 100-degree beam spreads.

DIMENSIONS:



LED LAMP SPECIFICATIONS

LAMP TYPE:

Integrated LED.

OPTICS:

Integral optics providing available beam spread of 30°, 45°, 65° and 100°

COLOR TEMPERATURES:

Color temperature options provide the following qualities:
2700K, 3000K and 5000K.



FIXTURE ORDERING INFORMATION

To order a fixture with mounting options, select the appropriate choice from each column as in the following example:

EXAMPLE: 490020-490261-490039-PM

CODES	WATTAGE	VOLT AMPS	BEAM SPREAD	COLOR TEMP	LUMENS	EFFICACY	SHROUD	MOUNTING
490200	3W	4.01VA	30°	2700K	340lm	110lm/W	490260	MY Y-bracket surface mount - 490045
490201	3W	3.98VA	45°	2700K	348lm	113lm/W	Extended	TH9 Tree Hugger Strap Kit 9"- Max 14" - 490330
490202	3W	3.97VA	65°	2700K	339lm	110lm/W	Shroud	TH15 Tree Hugger Strap Kit 15"- Max 22.5" - 490331
490203	3W	4.00VA	100°	2700K	338lm	109lm/W	3W / 6W	TH24 Tree Hugger Strap Kit 24"- Max 31.5" - 490332
490204	3W	3.87VA	30°	3000K	349lm	116lm/W	490261	TH36 Tree Hugger Strap Kit 36"- Max 46.5" - 490333
490205	3W	3.95VA	45°	3000K	353lm	115lm/W	Extended	TH48 Tree Hugger Strap Kit 48"- Max 61.5" - 490334
490206	3W	3.96VA	65°	3000K	341lm	111lm/W	Shroud	TM Tree Mount - 490046
490207	3W	3.90VA	100°	3000K	351lm	115lm/W	12W / 16W	N Newhouse Brass Tree Mount J-Box - 490060
490208	6W	7.29VA	30°	2700K	582lm	99lm/W		MSM Brass Micro Surface Mount - 490049
490209	6W	7.46VA	45°	2700K	596lm	99lm/W		EM Round Electrical Mounting Plate 490043
490210	6W	7.51VA	65°	2700K	580lm	96lm/W		RMP Rectangular Electrical Mounting Plate 490044
490211	6W	7.45VA	100°	2700K	586lm	98lm/W		

CONTINUED FROM PREVIOUS PAGE

CODES	WATTAGE	VOLT AMPS	BEAM SPREAD	COLOR TEMP	LUMENS	EFFICACY	SHROUD	MOUNTING
490212	6W	7.47VA	30°	3000K	597lm	99lm/W	490260 Extended Shroud 3W / 6W	MY Y-bracket surface mount - 490045
490213	6W	7.52VA	45°	3000K	598lm	99lm/W		TH9 Tree Hugger Strap Kit 9"- Max 14" - 490330
490214	6W	7.45VA	65°	3000K	590lm	99lm/W		TH15 Tree Hugger Strap Kit 15"- Max 22.5" - 490331
490215	6W	7.57VA	100°	3000K	596lm	98lm/W	490261 Extended Shroud 12W / 16W	TH24 Tree Hugger Strap Kit 24"- Max 31.5" - 490332
490230	12W	14.44VA	30°	3000K	1344lm	111lm/W		TH36 Tree Hugger Strap Kit 36"- Max 46.5" - 490333
490231	12W	14.33VA	45°	3000K	1352lm	112lm/W		TH48 Tree Hugger Strap Kit 48"- Max 61.5" - 490334
490232	12W	14.50VA	65°	3000K	1334lm	109lm/W		TM Tree Mount - 490046
490233	12W	14.71VA	100°	3000K	1158lm	93lm/W		N Newhouse Brass Tree Mount J-Box - 490060
490234	12W	13.77VA	65°	5000K	1441lm	125lm/W		MSM Brass Micro Surface Mount - 490049
490235	12W	14.86VA	100°	5000K	1326lm	106lm/W		EM Round Electrical Mounting Plate 490043
490240	16W	19.13VA	30°	3000K	1662lm	102lm/W		RMP Rectangular Electrical Mounting Plate 490044
490241	16W	18.68VA	45°	3000K	1652lm	104lm/W		
490242	16W	19.43VA	65°	3000K	1653lm	100lm/W		
490243	16W	20.06VA	100°	3000K	1489lm	87lm/W		
490244	16W	19.26VA	65°	5000K	1844lm	113lm/W		
490245	16W	18.41VA	100°	5000K	1505lm	96lm/W		