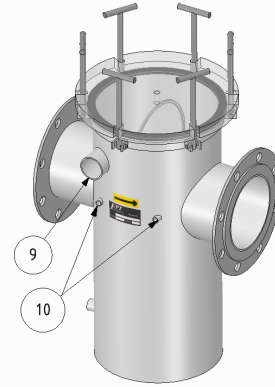
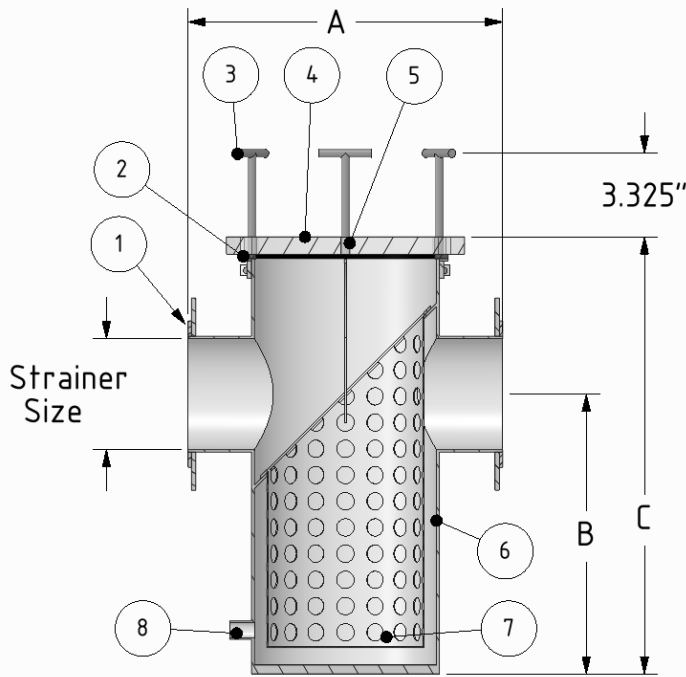


Fluidtrol SW Series SS Hair and Lint Strainer

Pressure Rating: 50 psi
Max Temp: 140 °F



ITEM	PART	MATERIAL
1	FLANGE	SS304 Van Stone
2	GASKET	FLAT GASKET-EPDM
3	T-HANDLE	SS316
4	COVER	CAST ACRYLIC
5	VENT	½" PVC FPT
6	BODY	SS SCH 10
7	BASKET	1/8" PERF SS316
8	DRAIN	SS304 NPT
9	VAC PORT	1-1/2" Vacuum port
10	PRESSURE TAP	¼" Pressure Taps

Qty	PN	Strainer Size	Face to Face A	Center Line B	Height C	Drain NPT D	Weight LBS	Notes
	SW166102031	2	11	10 ½	18	½	36	
	SW166102531	2.5	11	10 ½	18	½	37	
	SW166103031	3	11	10 ½	18	½	38	
	SW166104031	4	13 ¾	11 5/8	20	½	44	
	SW166105031	5	17	16	25	¾	68	
	SW166106031	6	18	16	25	¾	69	
	SW166108031	8	20	21 ½	33	¾	98	
	SW166110031	10	22	23	37	1	130	
	SW166112031	12	27 ½	31 5/8	45 ½	1	220	
	SW166114031	14	35	32 ½	47	1	270	
	SW166116031	16	35	33 5/8	52	1	315	
18" Sizes and Up- Please Inquire								

The Fluidtrol SW SS Series is a metallic housing inline basket strainer engineered for commercial aquatic applications such as swimming pools and waterparks. Wetted surfaces are comprised of Stainless Steel, Acrylic and EPDM. The standard basket is SS316- 1/8" Perforations, but many options exist for clients requiring a different filtration level or material of construction. Contact Fluidtrol if custom configurations or dimensions are required.