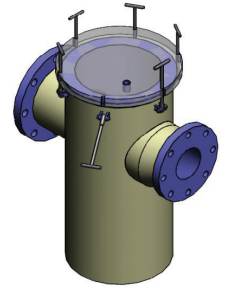
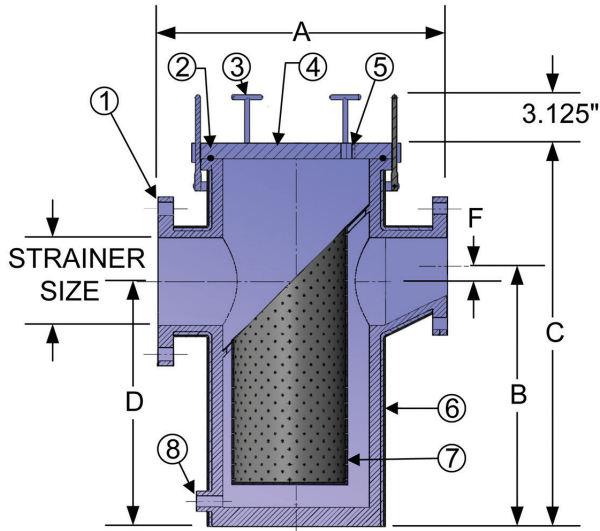


# RSW SERIES REDUCING STRAINERS

Fiberglass Reinforced Plastic (FRP) Molded Hair & Lint Strainers



PRESSURE RATING = 50 PSI  
MAX TEMPERATURE = 140°F



### MATERIALS LIST

Item	Part	Material
1	Flange	PVC
2	Gasket	O-Ring
3	T-Handle	SS316
4	Cover	Cast Acrylic
5	Vent	1/2" PVC FPT
6	Body	FRP
7	Basket	1/8" Perf SS316
8	Drain	PVC NPT

### ENGINEERING DATA & PART NUMBERS

QTY	Part Numbers	Strainer Size (Inches)	Face to Face A (Inches)	Effluent Center Line B (Inches)	Height C (Inches)	Influent Center Line D (Inches)	Weight (LBS)	Notes
	RSW116103231	3 x 2	13	11	18	10-1/2	28	
	RSW116104331	4 x 3	15-3/4	12-1/8	20	11-5/8	32	
	RSW116106331	6 x 3	20-3/4	17-1/2	25	16	45	
	RSW116106431	6 x 4	21	17	25	16	46	
	RSW116106531	6 x 5	23	16-1/2	25	16	47	
	RSW116108331	8 x 3	25-3/4	24	33	21-1/2	64	
	RSW116108431	8 x 4	26-1/8	23-1/2	33	21-1/2	65	
	RSW116108531	8 x 5	28	23	33	21-1/2	65	
	RSW116108631	8 x 6	28	22-1/2	33	21-1/2	67	
	RSW116110431	10 x 4	29-5/8	26	37	23	82	
	RSW116110531	10 x 5	29-5/8	25-1/2	37	23	83	
	RSW116110631	10 x 6	29-5/8	25	37	23	84	
	RSW116110831	10 x 8	29-1/2	24	37	23	87	
	RSW116112631	12 x 6	33-1/8	34-5/8	45-1/2	31-5/8	138	
	RSW116112831	12 x 8	32-3/4	33-5/8	45-1/2	31-5/8	141	
	RSW1161121031	12 x 10	32-3/4	32-5/8	45-1/2	31-5/8	145	
	RSW116114631	14 x 6	42-1/2	36-1/2	47	32-1/2	168	
	RSW116114831	14 x 8	42-1/2	35-1/2	47	32-1/2	171	
	RSW1161141031	14 x 10	41-1/2	34-1/2	47	32-1/2	176	
	RSW1161141231	14 x 12	40-1/2	33-1/2	47	32-1/2	180	

Please inquire for larger sizes.