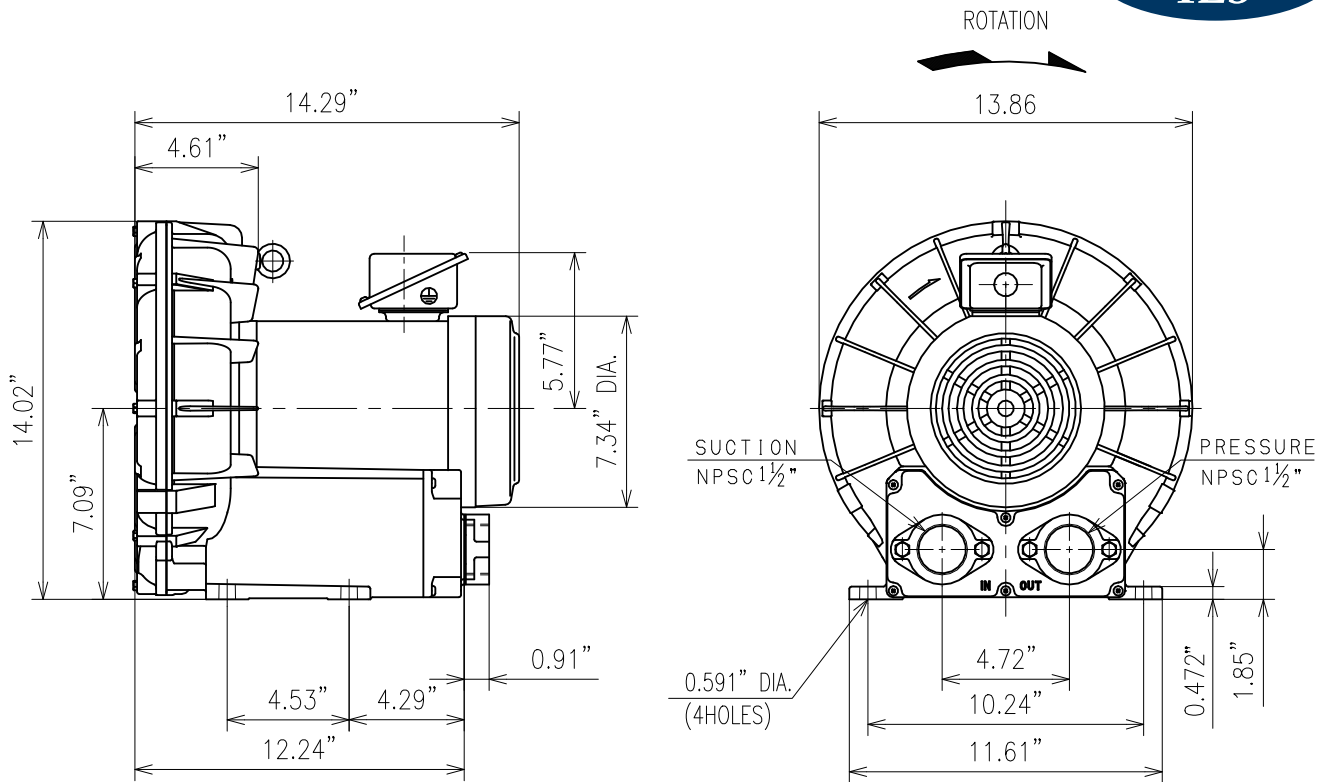


NEMA Premium  
**IE3**

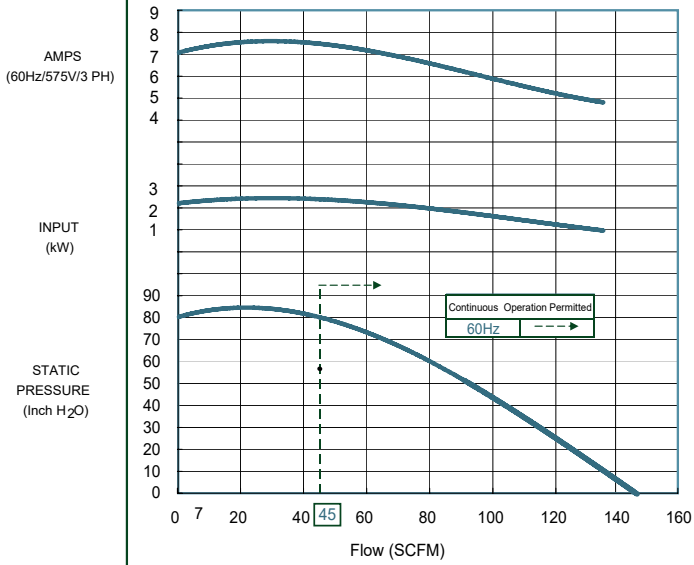


**UL** **us** **CSA** **CE** **RoHS** Compliant

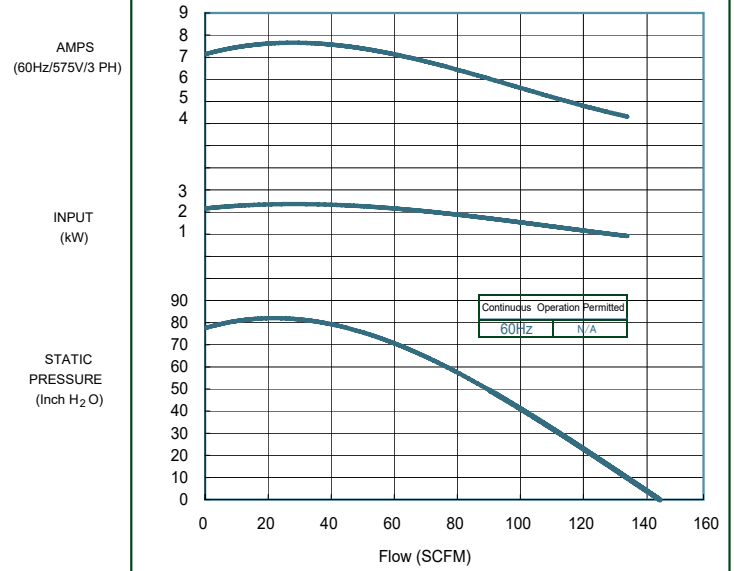
**Specifications**

Model	VFZ501A-5W
HP	2.7HP
Hz	60
Phase	3
Voltage	575
Max. Amps	3.0
Locked Rotor Amps	30.0
Max. Pressure ( in. H2O)	85
Max. Vacuum (in. H2O)	83
Max. Airflow Pressure (SCFM)	145
Max. Airflow Vacuum (SCFM)	145
Min. Airflow Pressure (SCFM)	45
Min. Airflow Vacuum (SCFM)	0
Max. Air Temperature Rise (°F)	118
Weight (lbs.)	77

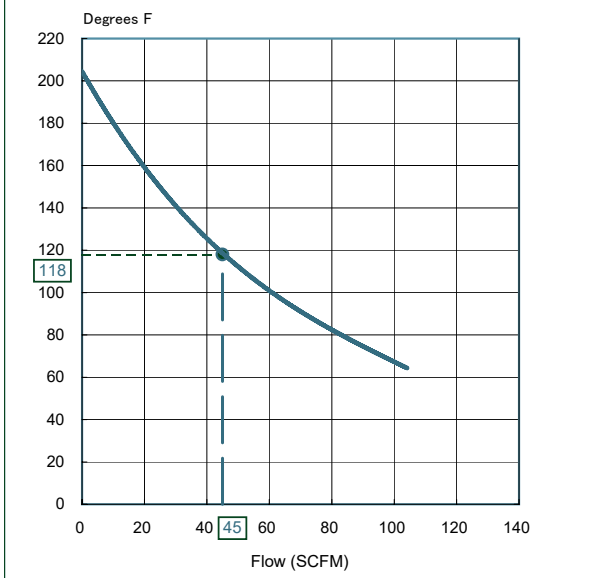
**Pressure**



**Vacuum**



**Temperature Rise**



Max. Air Temperature is Value Marked •  
Plus 40 Degrees C Ambient Temperature

**Accessories**

Inlet Filter	F-45
Inlet Filter/ Silencer	FS-45
In-Line Vacuum Filter	IVF-45
Pressure Relief Valve	PV5
Vacuum Relief Valve	Not Required
Silencer 1-1/2"	VFY024A