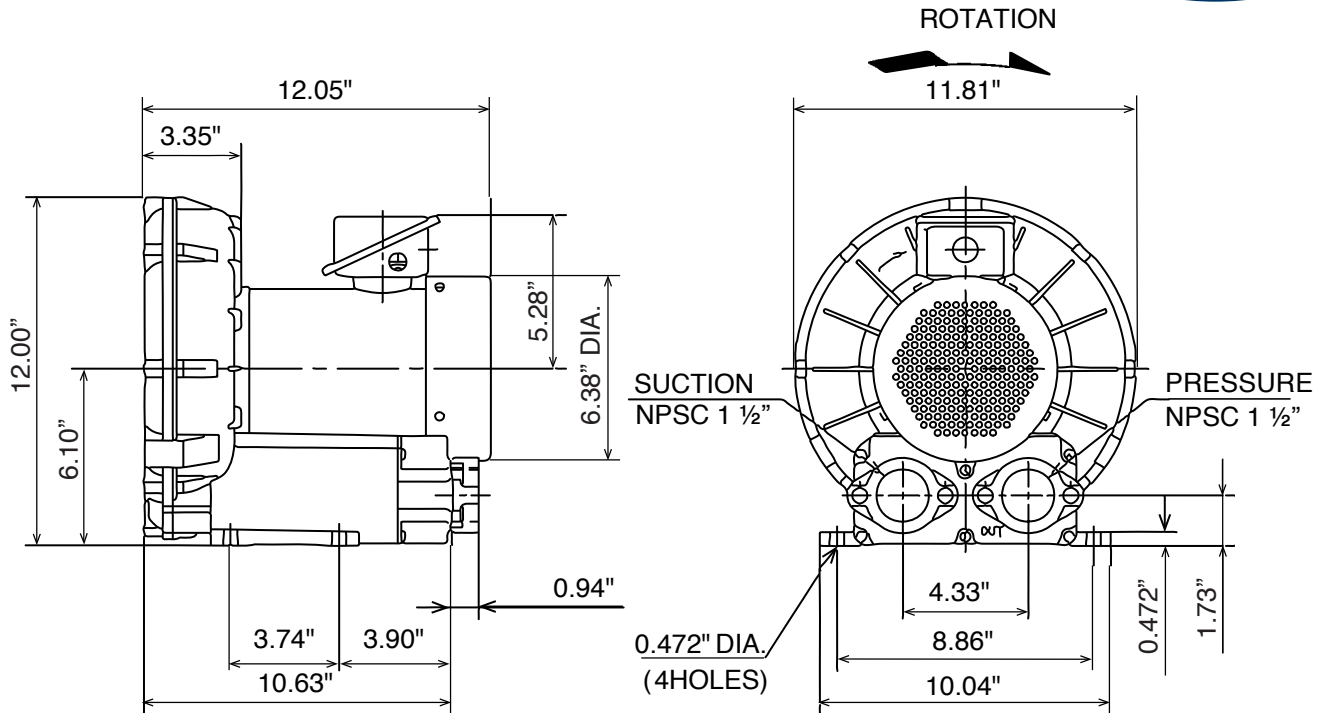


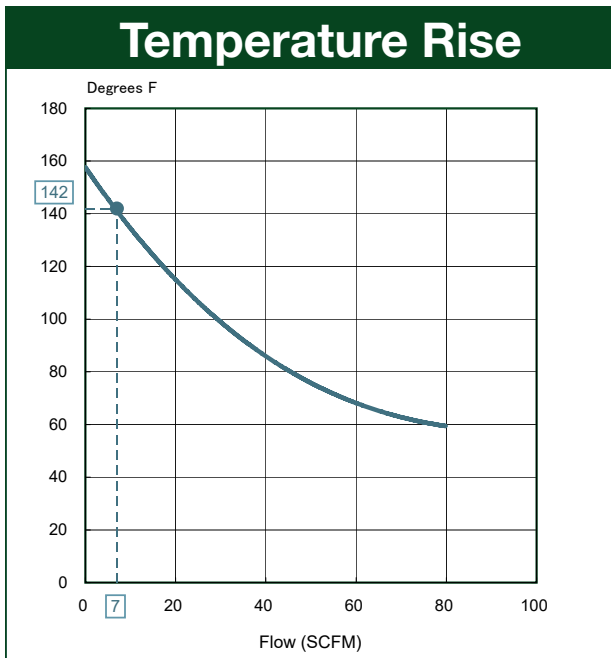
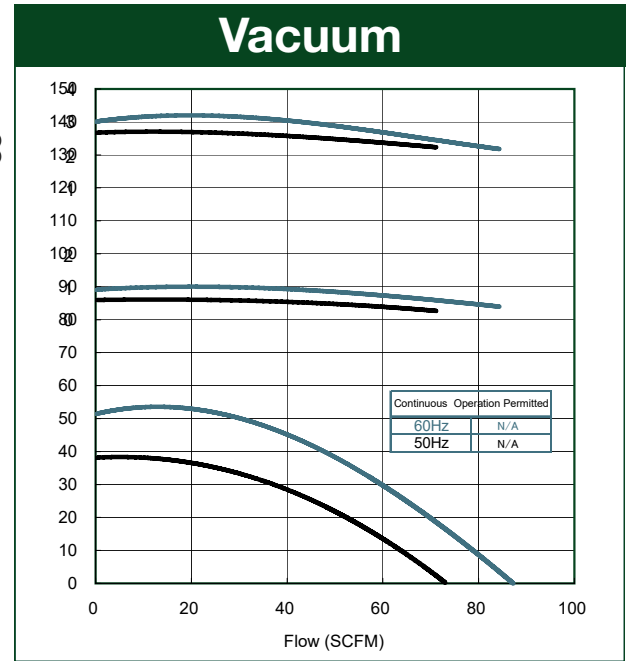
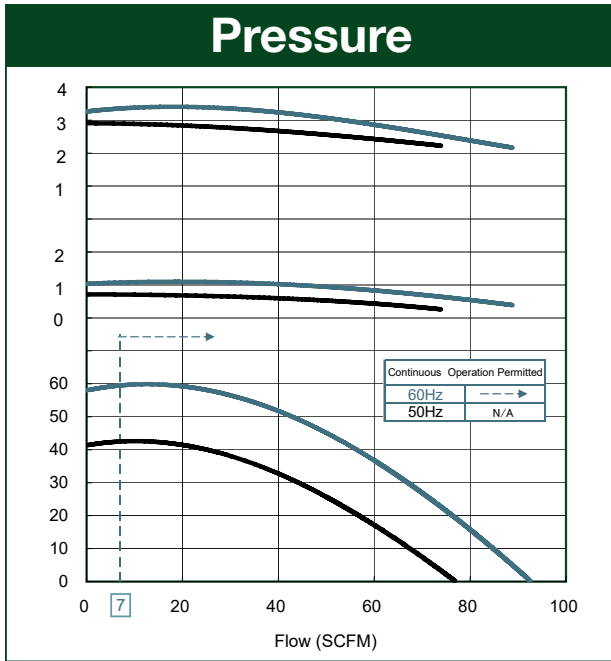
NEMA Premium
IE3



Specifications



Model	VFZ401A-7W	
HP	1.4HP	0.72HP
Hz	60	50
Phase	3	3
Voltage	208-230/460	200/400
Max. Amps	3.8-3.5/1.8	3.0/1.5
Locked Rotor Amps	33.3-36.0/18.0	32.5/16.3
Max. Pressure (in. H2O)	60	42
Max. Vacuum (in. H2O)	53	39
Max. Airflow Pressure (SCFM)	92	75
Max. Airflow Vacuum (SCFM)	86	71
Min. Airflow Pressure (SCFM)	7	7
Min. Airflow Vacuum (SCFM)	0	0
Max. Air Temperature Rise (°F)	142	142
Weight (lbs.)	46	46



Max Air Temperature is Value Marked •
Plus 40 Degrees C Ambient Temperature

Accessories

Inlet Filter	F-45
Inlet Filter/ Silencer	FS-45
In-Line Vacuum Filter	IVF-45
Pressure Relief Valve	PV4
Vacuum Relief Valve	Not Required
Silencer 1-1/2"	VFY024A