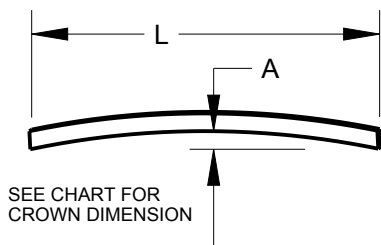
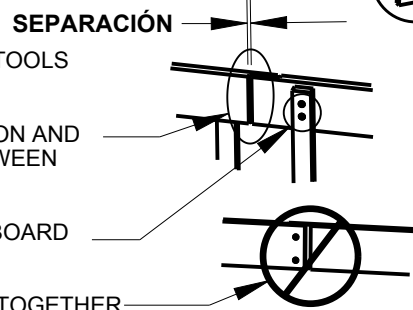


- ▶ USE COURSE WOOD WORKING TOOLS FOR CUTTING AND DRILLING.
- ▶ ALLOW FOR THERMAL EXPANSION AND SHRINKAGE BY LEAVING GAPS BETWEEN END OF BOARDS.
- ▶ USE PLATED SCREWS TO JOIN BOARD TO STAKE.
- ▶ DO NOT SCREW BOTH BOARDS TOGETHER.



### AVAILABLE ACCESSORIES FOR BENDA BOARD PRODUCTS

	ACCESSORY DESCRIPTION AND COLOR	ACTUAL DIMENSION	PRODUCT NUMBER
1	12 BENDA BOARD PLASTIC STAKE / REDWOOD	.67"x11.75"x1.38"	100036740
2	18 BENDA BOARD PLASTIC STAKE / REDWOOD	.67"x17.75"x1.38"	100036741
3	12 BENDA BOARD PLASTIC STAKE / SAND	.67"x11.75"x1.38"	100036742
4	12 BENDA BOARD PLASTIC STAKE / CARMEL BROWN	.67"x11.75"x1.38"	100046315
5	STEEL J STAKE 1 x 4 / REDWOOD	1.35"x12.75"x1.28"	200079367
6	STEEL J STAKE 1 x 4 / SAND	1.35"x12.75"x1.28"	200079371
7	STEEL J STAKE 1 x 4 / BLACK	1.35"x12.75"x1.28"	200102712
8	STEEL J STAKE 2 x 4 / REDWOOD	1.5"x11"x1.75"	200079370
9	12 PRE-DRILLED STAKE / TEAK BROWN	.67"x11.75"x1.38"	200102648
10	18 PRE-DRILLED STAKE / TEAK BROWN	.67"x17.75"x1.38"	200102649
11	12 REDWOOD STAKE (ACTUAL REDWOOD)	.68"x11.5"x1.45	200079372
12	18 REDWOOD STAKE (ACTUAL REDWOOD)	.68"x17.5"x1.45	200109153
13	1x 4 STEEL HAIRPIN	.14"x13"x1.25"	200079368
14	2 x 4 STEEL HAIRPIN	.16"x13"x1.8"	200079369
15	# GALVANIZED SCREWS	1-1/4"	200079375
16	# GALVANIZED SCREWS	2"	200079376

NOMINAL DESCRIPTION	PRODUCT NUMBER	COLOR	ACTUAL DIMENSION D x H x L	MINIMUM RADIUS	GAP	MAXIMUM CROWN H / L	RECOMMENDED ACCESSORIES (REFER TO NEXT CHART)
1 x 4 x 20	100036729	REDWOOD	.72" x 3.35" x 20'	24"	1/4" - 1/2"	19" / 20'	1, 2, 3, 4, 5, 6, 7, 9, 10, 11, 12, 13, 15
	100036733	SAND					
	100059386	TEAK					
	100051993	BLACK					
2 x 4 x 20	100036731	REDWOOD	1.37" x 3.4" x 20'	36"	1/2" - 3/4"	16" / 20'	1, 2, 4, 8, 9, 10, 11, 12, 14, 16
	100059389	TEAK					
1 x 6 x 20	100036730	REDWOOD	.75" x 5.35" x 20'	24"	1/2" - 3/4"	9" / 20'	1, 2, 3, 4, 5, 6, 7, 9, 10, 11, 12, 13, 15
	100059387	TEAK					
2 x 6 x 16	100036732	REDWOOD	1.35" x 5.4" x 16'	36"	3/4" - 1"	N/A	1, 2, 4, 8, 9, 10, 11, 12, 14, 16

# BENDA BOARD HEADER BOARD DETAIL # 110

MADE IN USA by EPIC PLASTICS  
 104 E. TURNER RD, LODI CA 95240  
 www.epicplastics.com

BENDA BOARD IS INTENDED FOR NON-STRUCTURAL USE ONLY