

# Filter Max Series Sand Filter By Emaux



With over 35 years of solid experience and expertise together with our devoted staffs, Emaux has evolved from a Swimming Pool and Spa Equipment manufacturer to a company that is focused in Water Technology. A company that provides solutions to clients in water related issues.

**Water for life and leisure**

 **Emaux**  
water technology

[www.emauxgroup.com](http://www.emauxgroup.com)



### Filter Max Series Top Mount Filter

#### FEATURES

EMAUX's innovative design and advanced technology offer superior filtration performance and crystal clear water. Max filters are blown at one-piece with high density polyethylene for its heavy duty performance and reliability.

#### Product Focus



### Highlight Features:

- Suggested Installation:  
Domestic In-ground and above ground pool / hot spa tub
- Max operating pressure 40 psi / 2.8 bar
- Max temperature of 50°C (122 °F)
- Universal standard of union connection provided
- ABS lateral provided
- Suggested size of media : 0.5-0.8mm

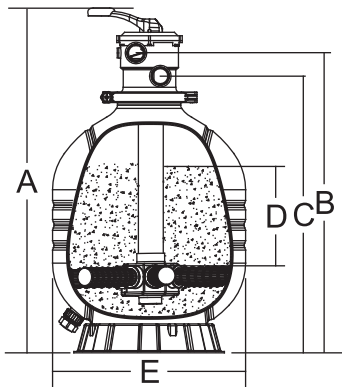
- [1] Unique one-piece clamp with screw-type lock designed to simplify installation and allow tool-free servicing.
- [2] Equipped with multiport valve with 6-way functions
- [3] Easy-to-read pressure gauge for easy inspection

#### Technical Information

Code	Model No	Filter Area(m <sup>2</sup> )	Valve Connections		Max Flow Rate		Sand(kg)
88012526	MFV17	0.14	1.5 inch	50mm	117lpm	7.0m <sup>3</sup> /h	40
88012527	MFV20	0.20	1.5 inch	50mm	167lpm	10.0m <sup>3</sup> /h	70
88012528	MFV24	0.28	1.5 inch	50mm	233lpm	14.0m <sup>3</sup> /h	125
88012529	MFV27A	0.36	1.5 inch	50mm	240lpm	14.4m <sup>3</sup> /h	185
88012530	MFV27	0.36	2.0 inch	63mm	300lpm	18.0m <sup>3</sup> /h	185
88012531	MFV31A	0.47	1.5 inch	50mm	313lpm	18.8m <sup>3</sup> /h	320
88012532	MFV31	0.47	2.0inch	63mm	392lpm	23.5m <sup>3</sup> /h	320
88012533	MFV35	0.61	2.0 inch	63mm	508lpm	30.5m <sup>3</sup> /h	430

Note: Suggested sand weight varies with differences in filter media size. For reference only.

#### Product Dimension



Model No	A mm	B mm	C mm	D mm	E mm
MFV17	816	695	625	195	425
MFV20	889	772	712	225	500
MFV24	980	860	800	280	600
MFV27A	1081	963	903	300	675
MFV27	1133	976	910	300	675
MFV31A	1126	1008	948	370	775
MFV31	1178	1021	955	370	775
MFV35	1296	1139	1073	440	875

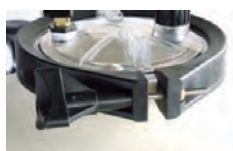


### Filter Max Series Side Mount Filter

#### FEATURES

EMAUX's innovative design and advanced technology offer superior filtration performance and crystal clear water. Max Series filters are blown at one-piece with high density polyethylene for its heavy duty performance and reliability.

#### Product Focus



- [1] Unique one-piece clamp with screw-type lock designed to simplify installation and allow tool-free servicing.
- [2] Equipped with multiport valve with 6-way functions
- [3] Easy-to-read pressure gauge for easy inspection

#### Highlight Features:

- Suggested Installation:  
Domestic In-ground and above ground pool / hot spa tub
- Max operating pressure 40 psi / 2.8 bar
- Max temperature of 50°C (122 °F)
- Universal standard of union connection provided
- ABS lateral provided
- Suggested size of media : 0.5-0.8mm

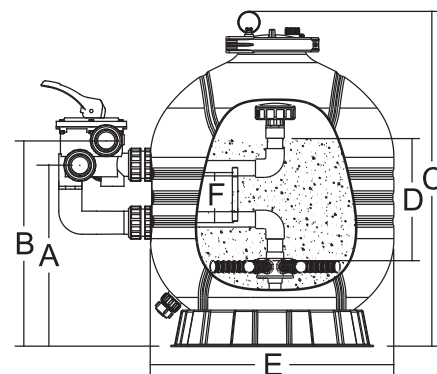
#### Technical Information

Code	Model No	Filter Area(m <sup>2</sup> )	Valve Connections		Max Flow Rate		Sand(kg)
88012626	MFS17	0.14	1.5 inch	50mm	117lpm	7.0m <sup>3</sup> /h	40
88012627	MFS20	0.20	1.5 inch	50mm	167lpm	10.0m <sup>3</sup> /h	70
88012628	MFS24	0.28	1.5 inch	50mm	233lpm	14.0m <sup>3</sup> /h	125
88012629	MFS27A	0.36	1.5 inch	50mm	240lpm	14.4m <sup>3</sup> /h	185
88012630	MFS27	0.36	2.0 inch	63mm	300lpm	18.0m <sup>3</sup> /h	185
88012631	MFS31A	0.47	1.5 inch	50mm	313lpm	18.8m <sup>3</sup> /h	320
88012632	MFS31	0.47	2.0inch	63mm	392lpm	23.5m <sup>3</sup> /h	320
88012633	MFS35	0.61	2.0 inch	63mm	508lpm	30.5m <sup>3</sup> /h	430

Note: Suggested sand weight varies with differences in filter media size. For reference only.

#### Product Dimension

Model No	A mm	B mm	C mm	D mm	E mm	F mm
MFS17	354.5	417.5	670	195	425	125
MFS20	396.3	549.3	760	225	500	125
MFS24	429.5	492.5	825	280	600	125
MFS27A	480.0	543.0	946	300	675	125
MFS27	459.5	545.5	946	300	675	130
MFS31A	505.5	568.5	968	370	775	125
MFS31	508.0	594.0	968	370	775	130
MFS35	564.0	650.0	1086	440	875	130





## EMAUX WATER TECHNOLOGY

Over 35 years of engineering experience in Water Technology, providing expert solution in all water related matters based on our innovative ideas, automated production processes, and professionalism. Emaux is the leading water technology company that incorporates R & D, Production, and Sales under one roof.

Available from:



[www.emauxgroup.com](http://www.emauxgroup.com)

Waterpark & Aquarium / Competition Pool / Residential Pool / Commercial Pool / Water Treatment / Water Feature

All specification are subject to change without notice © Copyright 2013 Emaux Swimming Pool Equipment Co., Ltd

Photos are for reference only, contents are subject to change without prior notice.