

EFFECTIVE:
21-JUN-18

SUPERSEDES:
15-MAR-16

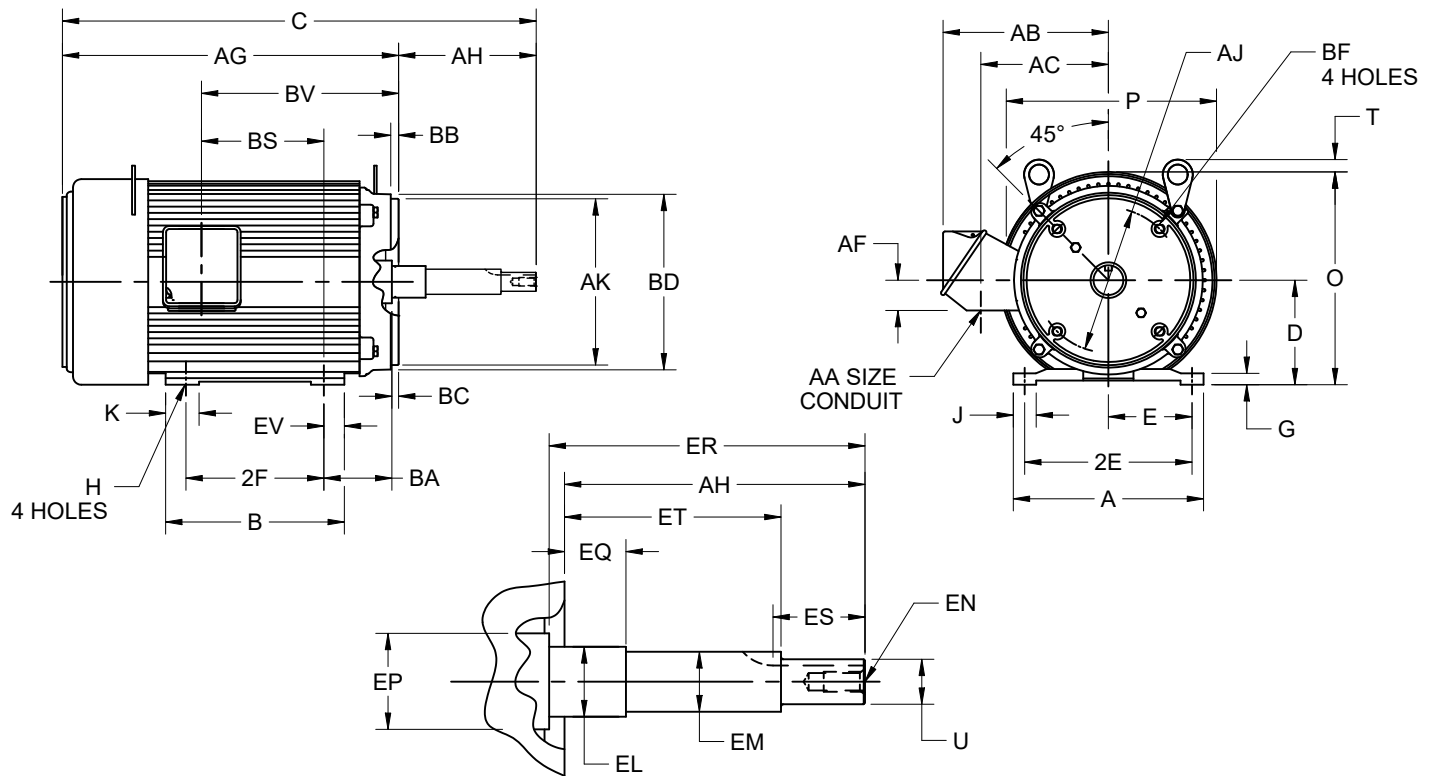
DIMENSION PRINT

UNIMOUNT CLOSE-COUPLED PUMP, W/OVERSIZED OUTLET BOX

FRAME: 256JP, JM
BASIC TYPE: UT1, UT4

PRINT:
07-3237

SHEET:
1 OF 1



ALL DIMENSIONS ARE IN INCHES AND MILLIMETERS

| UNITS | A | B | D -.06 | E | 2E ±.03 | 2F ±.03 | G | H +.05 | J | K | O | P ² |
|-------|-------|-------|-----------|------|------------|------------|-----|-----------|------|------|-------|----------------|
| IN | 11.38 | 12.44 | 6.25 | 5.00 | 10.00 | 10.00 | .69 | .53 | 1.38 | 2.00 | 12.94 | 13.38 |
| MM | 289 | 316 | 159 | 127 | 254 | 254 | 18 | 13 | 35 | 51 | 329 | 340 |

| UNITS | T | U -.0005 | AA | AB | AC | AF | AG | AJ | AK -.003 | BA | BB -.062 | BC |
|-------|---|-------------|------|-------|------|------|-------|--------|-------------|------|-------------|-----|
| IN | 0 | 1.2495 | 1.50 | 10.81 | 8.25 | 2.13 | 21.88 | 7.250 | 8.500 | 4.75 | .313 | .25 |
| MM | 0 | 31.737 | 38 | 275 | 210 | 54 | 556 | 184.15 | 215.90 | 121 | 7.95 | 6 |

| UNITS | BD MAX | BF ⁷ | BS | BV | EL | EM -.0005 | EN ⁷ | EP MIN | ES MIN | EV | SQ KEY |
|-------|-----------|-----------------|------|-------|------|--------------|-----------------|-----------|-----------|------|-----------|
| IN | 10.00 | 1/2-13 X .75 | 8.63 | 13.63 | 1.75 | 1.3750 | 1/2-13 X 1 | 1.75 | 2.53 | 1.22 | .250 |
| MM | 254 | | 219 | 346 | 44 | 34.925 | | 44 | 64 | 31 | 6.35 |

| FRAME | UNITS | C | AH ±.031 | EQ ±.015 | ER MIN | ET ±.015 |
|--------|-------|-------|-------------|-------------|-----------|-------------|
| B256JP | IN | 30.00 | 8.125 | 2.375 | 8.13 | 5.875 |
| | MM | 762 | 206.38 | 60.33 | 207 | 149.23 |
| B256JM | IN | 27.13 | 5.250 | 0.625 | 5.25 | 3.000 |
| | MM | 689 | 133.35 | 15.88 | 133 | 76.20 |

1. ALL ROUGH CASTING DIMENSIONS MAY VARY BY .25" DUE TO CASTING AND/OR FABRICATION VARIATIONS.
2. LARGEST MOTOR WIDTH.
3. FRAME REFERENCE: 14.250" / 256.
4. CONDUIT BOX MAY BE LOCATED ON EITHER SIDE OF MOTOR. CONDUIT OPENINGS MAY BE LOCATED IN STEPS OF 180 DEGREES REGARDLESS OF LOCATION. STANDARD AS SHOWN WITH CONDUIT OPENING DOWN.
5. TOLERANCES SHOWN ARE IN INCHES ONLY.
6. ALL TAPPED HOLES ARE UNIFIED NATIONAL COARSE, RIGHT HAND THREAD.
7. TAP SIZE AND BOLT PENETRATION ALLOWANCE.

| TOLERANCES | |
|---|-------------|
| FACE RUNOUT | .004 T.I.R. |
| PERMISSIBLE ECCENTRICITY OF MOUNTING RABBET | .004 T.I.R. |
| PERMISSIBLE SHAFT RUNOUT | .002 T.I.R. |

07-3237/B

Nidec Motor Corporation
St. Louis, Missouri

INFORMATION DISCLOSED ON THIS DOCUMENT IS CONSIDERED PROPRIETARY AND SHALL NOT BE REPRODUCED OR DISCLOSED WITHOUT WRITTEN CONSENT OF NIDEC MOTOR CORPORATION



ISSUED BY
R. LOPEZ
APPROVED BY
R. TIMMERMAN

IHP_DP_NMCA (MAR-2011) SOLIDEDGE