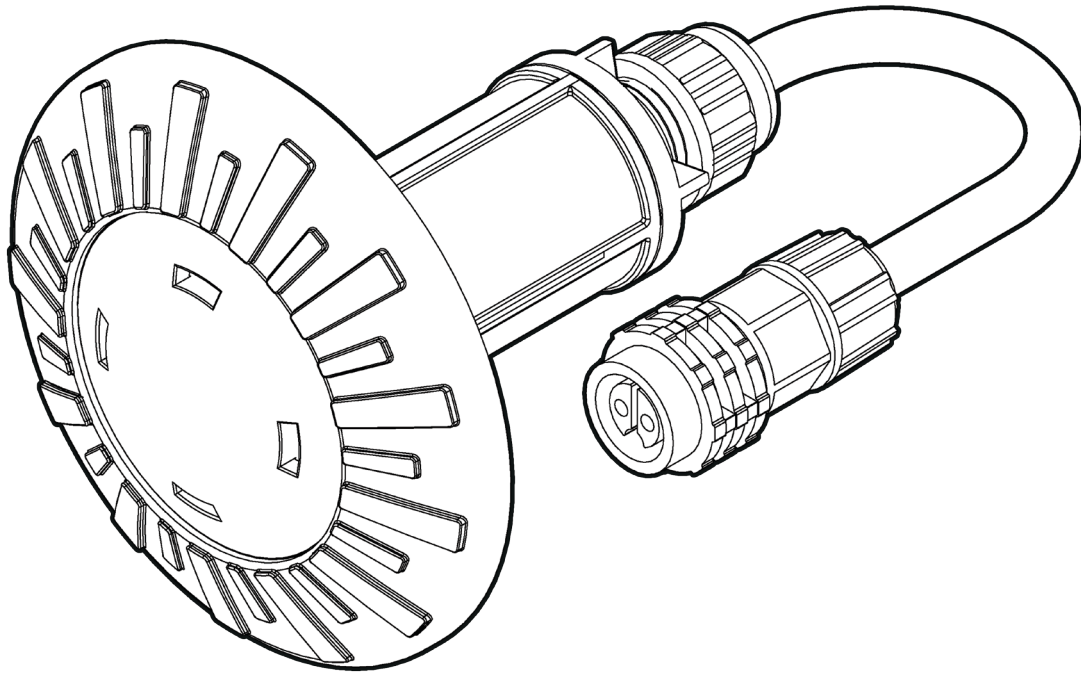




BRILLIANT WONDERS® 1.5" LED LIGHT INSTALLATION INSTRUCTIONS & PRODUCT MANUAL

25503-500-000
25503-520-000 (P-Style and H-Style)
25503-560-000 (P-Style and H-Style)

Cord Lengths Available:
25', 50', 100', 150'



2. IMPORTANT WARNINGS & SAFETY INSTRUCTIONS

DANGER

Serious bodily injury or death can result if these lights are not installed and used correctly.

WARNING

Installers, pool operators, and pool owners must read these warning and all instructions before using these lights.

WARNING

Before installing this product, read and follow all warning notices and instructions in this guide. Failure to follow warnings and instructions can result in severe bodily injury, death, or property damage.

WARNING

These underwater swimming pool lights must be installed by a licensed or certified electrician or a qualified pool professional in accordance with the National Electric Code (NEC) or Canadian Electric Code (CEC), CSA C22.1.

CAUTION

All applicable local installation codes and ordinances must also be adhered to. Improper installation will create an electrical hazard which could result in death or serious injury to pool users, installers, or others due to electric shock. Always disconnect power to the pool lights before servicing.

WARNING

Turn off power to light before installation/service. CMP Brilliant Wonders 1.5" LED Light is a low voltage light and should never be electrically connected to a power source other than an approved pool "Safety Rated," UL listed, outdoor rated, 12 VAC transformer. Failure to comply will either damage or destroy the light and will void the warranty.

NOTICE

No separate ground or bonding wire is required for the Brilliant Wonders 1.5" LED Lights which have no exposed metal. They do not require a niche.

NOTICE

Save these instructions. This installation and user guide contains important information about the installation, operation, and safe use of this swimming pool/spa light. This guide should be given to the owner and/or operator of this equipment.

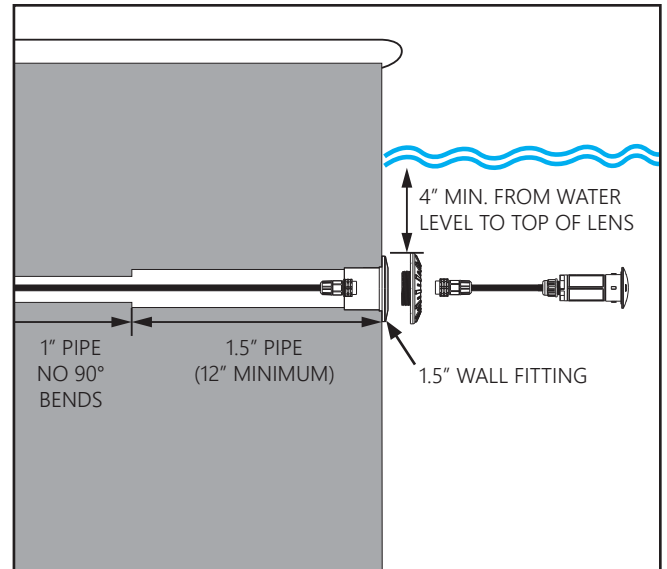
3. INSTALLATION INSTRUCTIONS

STEP 1

The light must be installed in or on a wall of the pool (or water feature) with the top of the lens opening no less than 4 inches (10.16 cm) below normal water level of the pool. For vertical installations on benches, swim outs and fountains the depth of the light underwater must still be no less than 4 inches.

NOTE: Requires the use of a 1.5" threaded wall fitting.

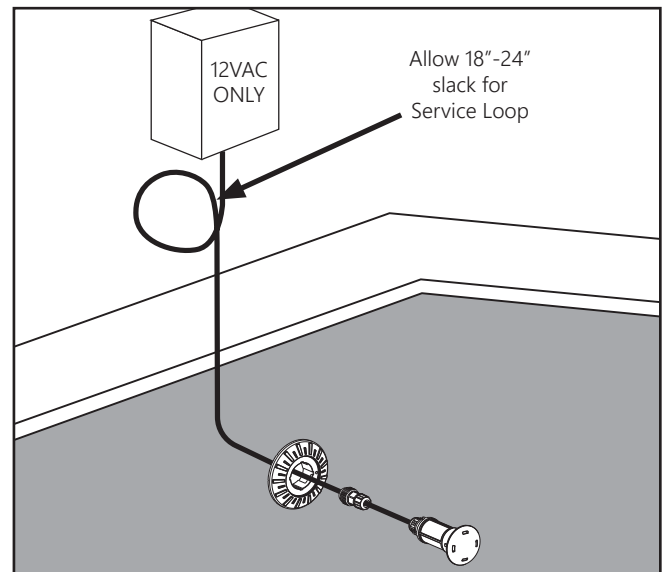
NOTE: 12" minimum of 1.5" pipe to accommodate the LED Light. Then 1" pipe to control box with sweeps only, no 90° bends.



STEP 2

Install supplied 2-conductor electric cord through the conduit outlet of the wall into the conduit and up to the location of the 12VAC pool/spa transformer. Cut off excess cord installing appropriate service length.

NOTICE Allow 18"-24" extra slack in the cord on the 12VAC pool transformer end for future service of the LED light.



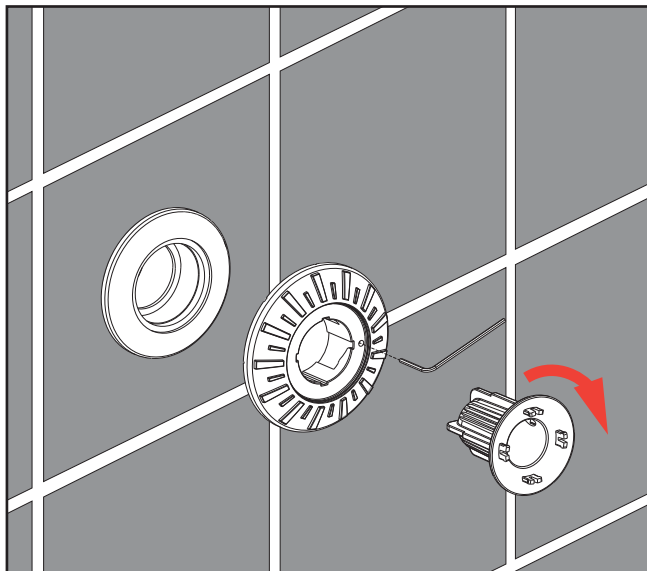
An example of an approved pool transformer is the Intermatic model PX-100 or PX-300. Refer to Wire Gauge and Wire Length guide for proper wire gauge size in reference to the use of Junction Box installations.

NOTE: Brilliant Wonders 1.5" LED Light can be used with any UL Listed, outdoor rated, 12VAC transformer provided the wattage and amperage is not exceeded by the total wattage and amperage in use.

3. INSTALLATION INSTRUCTIONS [CONTINUED]

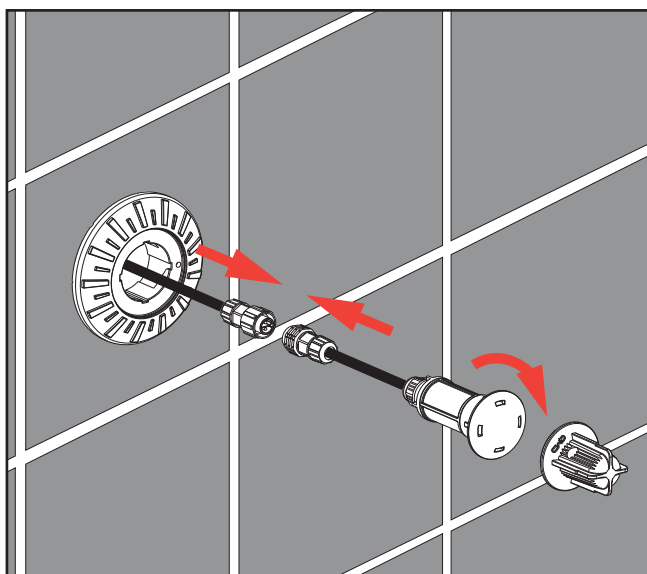
STEP 3

Thread the Faceplate into the 1.5" Threaded Wall Fitting using the included Installation Tool until snug (do not over tighten). Tighten set screw using a 2mm Allen wrench (not included).



STEP 4

Connect male and female electrical cord connections and thread together until snug. Install light into Faceplate by snapping included Installation Tool into the 4 rectangle holes in the LED Lens and then gently pushing in the LED Light while twisting the Installation Tool clockwise until it clicks into place. Pull Installation Tool straight out to disconnect it from the LED lens.



WINTERIZATION CLAUSE

Pool water level must be drained 12" below light(s) position in pool wall. It is recommend that the lights be loosened from their Wall Fittings to allow drainage of water that might have accumulated inside the conduit. It is recommended to disconnect cord connections and remove the 1.5" LED Light completely for the winter. Consult your local swimming pool professional for proper local area winterization processes.

LIGHT IS SERVICEABLE

Do not disassemble any part of the Brilliant Wonders 1.5" LED Light body. Only remove cord at connection between male and female connectors.