

IN GROUND SKIMMERS GUIDE



CMP POOL
PRODUCTS

CMP manufactures a premier selection of skimmers for in ground gunite pools. CMP skimmers are available in a variety of colors, materials and kits to ensure the perfect skimmer for every pool.

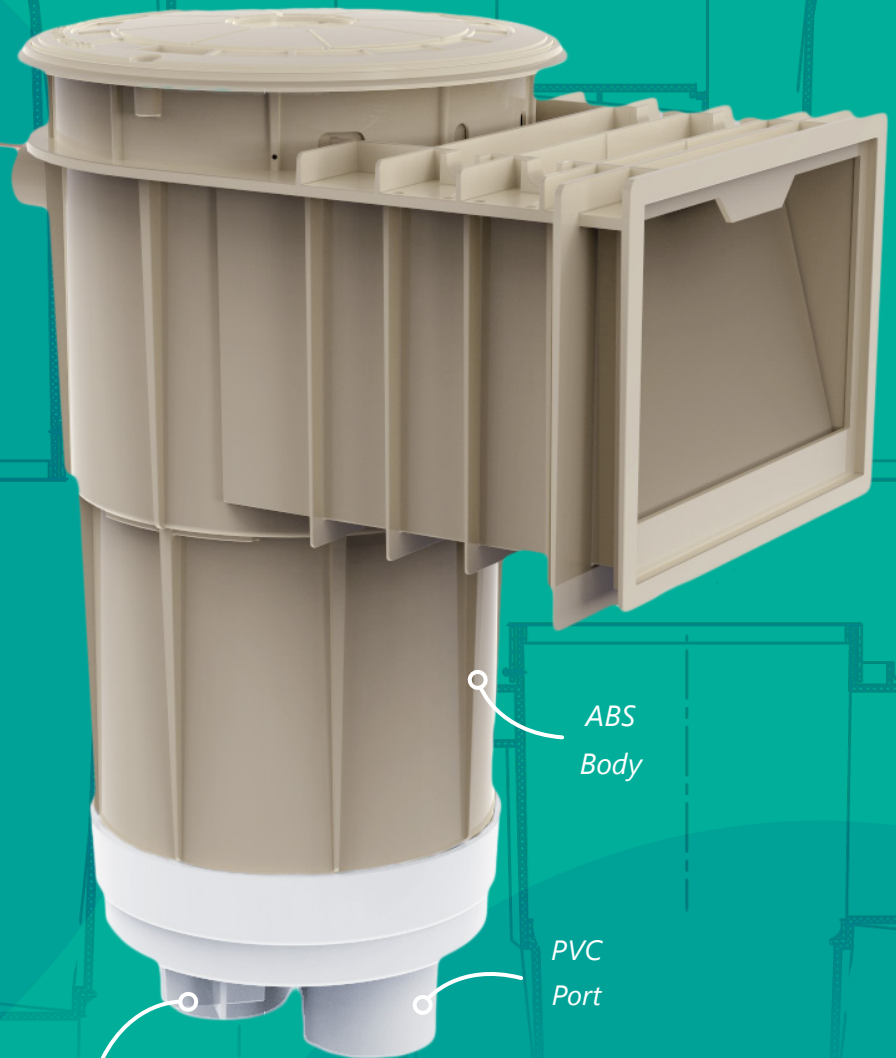
ABS with PVC Port: Use Regular PVC Glue

Enhanced Water Stop Feature

Integrated 3/4" & 1" Overflow Ports

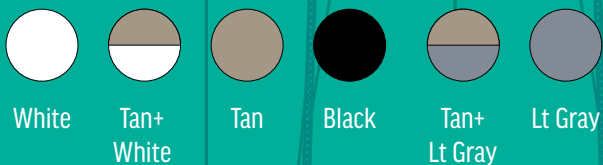
Dedicated Port for Optional Water Bond

Wider Dual Port Spacing Fits Two Winterizing Tubes



*Stand Pipe
Mounting Feature*

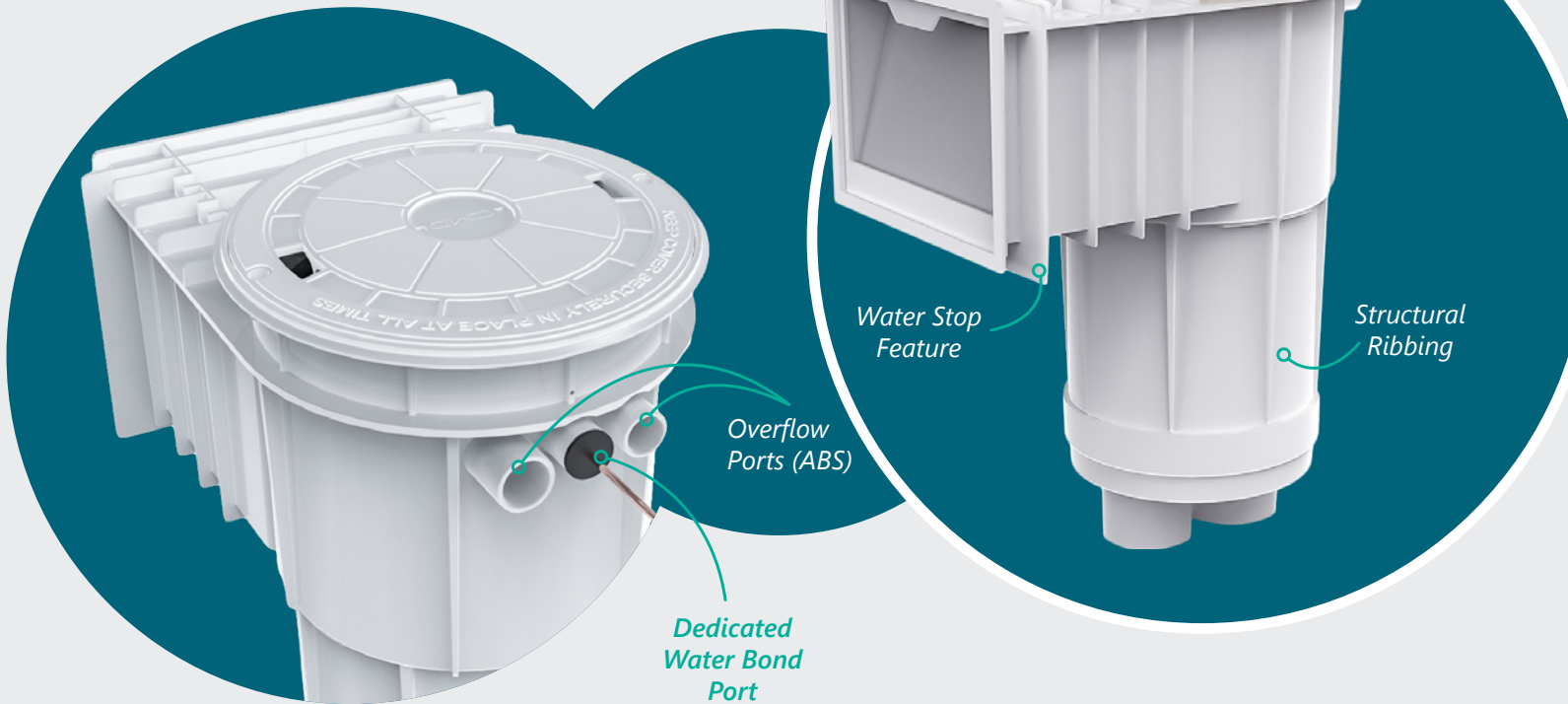
COLOR MATCH CHOICES



PRODUCT DETAILS

- 2" S x 2.5" SP Port
- 75 GPM
- Single or Dual Port
- FIP, Socket, or Socket/Spigot
- Colors: Full Body Color or Color Cover Only
- Available Without Cover for Custom Lids
- Optional: Float Valve, Flowskim™ Basket
- Pool Defender® Water Bonded Skimmer

SKIMMER FEATURES



FLOAT VALVE (AKA MUSHROOM DIVERTER)

Why Float Valves?

- Float valves automatically regulate skimmer flow, sending more water to the main drain for better circulation.
- If the water level drops below skimmer level, the float valve shuts off the skimmer to prevent the pump running dry.

FLOWSKIM™ BASKET

Why Flowskim?

- Aids in basket removal without touching dirty, wet debris
- Provides a flow path even when the skimmer is full, protecting the pump from running dry.
- Side handle orientation allows you to empty the basket while keeping your hands clear of the debris.
- U.S. and International Patents



GUNITE SKIMMER ORDERING GUIDE

CMP P/N	BODY COLOR	COVER COLOR*	COVER TYPE	PORTS	FLOAT VALVE	BASKET STYLE
25140-050-000N	WHITE	WHITE	ROUND	2	—	FLOWSKIM
25140-000-000N	WHITE	WHITE	ROUND	2	●	STANDARD
25140-250-000N	WHITE	WHITE	ROUND	1	—	FLOWSKIM
25140-010-002N	WHITE	WHITE	SQUARE	2	—	STANDARD
25140-010-000N	WHITE	WHITE	ROUND	2	—	STANDARD
25140-010-500N	WHITE	NO COVER	NONE	2	—	STANDARD
25140-210-000N	WHITE	WHITE	ROUND	1	—	STANDARD
25140-009-000N	WHITE	TAN	ROUND	2	●	STANDARD
25140-259-000N	WHITE	TAN	ROUND	1	—	FLOWSKIM
25140-019-000N	WHITE	TAN	ROUND	2	—	STANDARD
25140-219-000N	WHITE	TAN	ROUND	1	—	STANDARD
25140-210-500N	WHITE	NO COVER	NONE	1	—	STANDARD
25140-019-900N	TAN	TAN	ROUND	2	—	STANDARD
25140-214-500N	BLACK	NO COVER	NONE	1	—	STANDARD
25140-001-000N	GRAY	GRAY	ROUND	2	●	STANDARD
25140-011-100N	GRAY	GRAY	ROUND	2	—	STANDARD
25140-011-102N	GRAY	GRAY	SQUARE	2	—	STANDARD
25140-019-100N	GRAY	TAN	ROUND	2	—	STANDARD
25140-011-500N	GRAY	NO COVER	NONE	2	—	STANDARD
25140-211-500N	GRAY	NO COVER	NONE	1	—	STANDARD

GUNITE WATER BONDED SKIMMER ORDERING GUIDE

CMP P/N	BODY COLOR	COVER COLOR	PORTS	FLOAT VALVE	COVER	DESCRIPTION
25140-500-000N	WHITE	WHITE	2	●	ROUND	GUNITE BONDED SKIMMER
25140-510-000N	WHITE	WHITE	2	—	ROUND	GUNITE BONDED SKIMMER
25140-529-000N	WHITE	TAN	1	—	ROUND	GUNITE BONDED SKIMMER
25140-519-000N	WHITE	TAN	2	—	ROUND	GUNITE BONDED SKIMMER
25140-520-000N	WHITE	WHITE	1	—	ROUND	GUNITE BONDED SKIMMER
25140-501-100N	GRAY	GRAY	2	●	ROUND	GUNITE BONDED SKIMMER
25140-511-100N	GRAY	GRAY	2	—	ROUND	GUNITE BONDED SKIMMER
25160-610-000N	WHITE	WHITE	2	—	SQUARE	VINYL BONDED SKIMMER, WIDE MOUTH
25140-500-110	—	—	—	—	—	SS BONDING PLATE REPLACEMENT

ABOUT POOL DEFENDER® WATER BONDED SKIMMERS

Since 2008 the National Electrical Code (NEC) has mandated that pool water must be electrically bonded, not just metals in the structure of the pool itself. Typically pool water is bonded at the light. With the advent and growing popularity of "nicheless" LED lights, a new solution is required. Every pool has a skimmer, so you can easily meet electrical code requirements with the Pool Defender® In Ground Skimmer with an integrated water bond.

- Bonding plate is in constant contact with the water even when the pump is off which is a key water bonding requirement.
- No bond wire holes below the water line.
- ETL Certified
- Meets NEC2008 680.26(C) as a water bonding device.
- Conforms to UL 1081, UL 1563, CAN/CSA-C22.2
- Also available with added zinc anode for salt water corrosion protection.

1 CONNECTS TO POOL BONDING WIRE

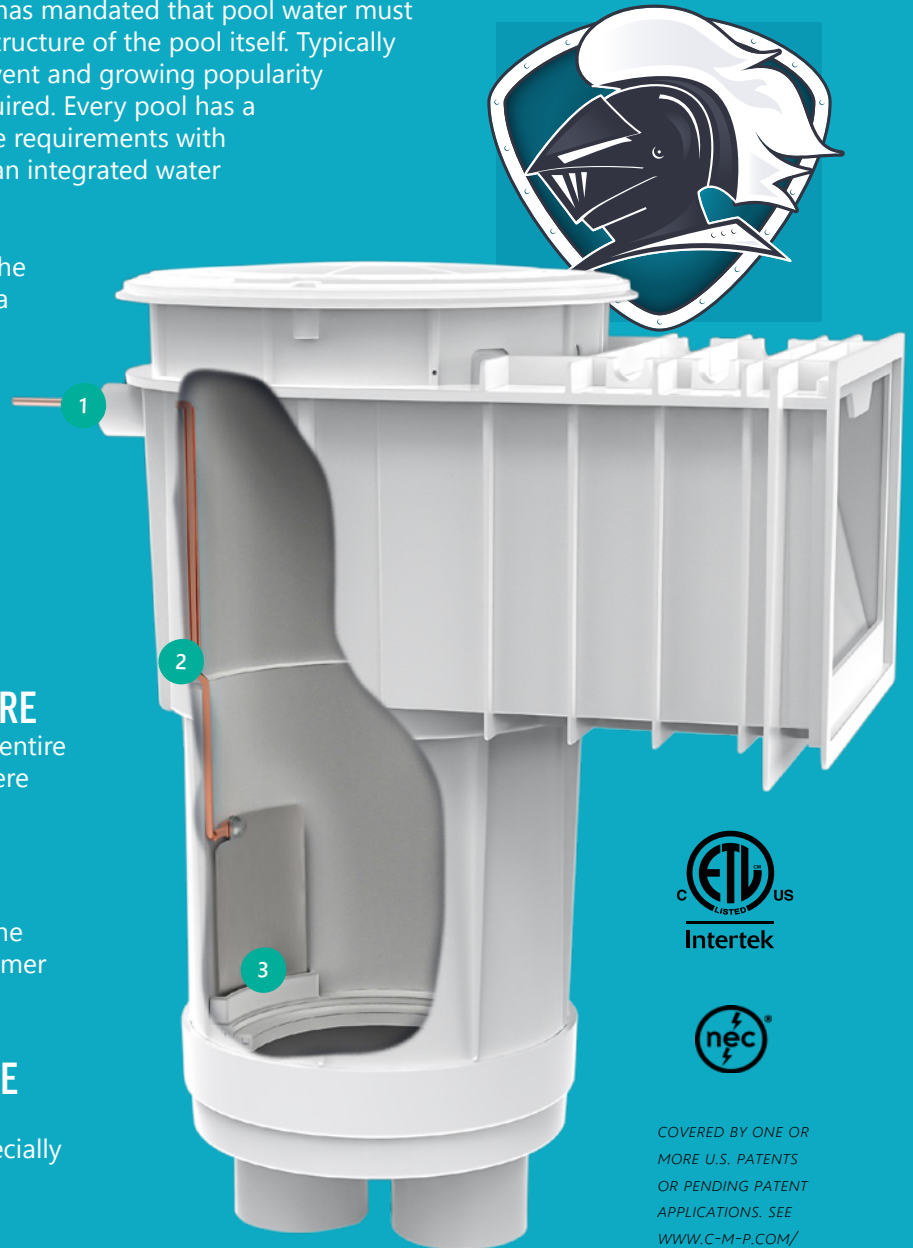
Attach to the bonding wire to protect the entire pool. A rubber seal prevents leaks, and there are no holes below the water line.

2 EMBEDDED COPPER WIRE

Copper bonding wire runs safely behind the skimmer basket to the bottom of the skimmer body.

3 STAINLESS STEEL BONDING PLATE

A 304 Stainless Steel plate is safely placed behind the pool basket, and locks into specially designed grooves.



Pool Defender® Skimmer "Cut-away" View

FREQUENTLY ASKED QUESTIONS

What is the purpose of water bonding?

Water bonding makes the pool safer. Bonding reduces the risk of electric shock, potentially protecting swimmers from serious injuries.

Why is water bonding important if the pool structure is also bonded?

Stray electrical current can still enter the pool water that is not always in contact with the bonded pool structure. The Pool Defender® skimmer conveniently ties into the structural bonding of the pool.

Is water bonding required in all areas?

While local interpretations may vary, the NEC requirements guide national code requirements. Ultimately, water bonding protects swimmers which should always be the highest priority.

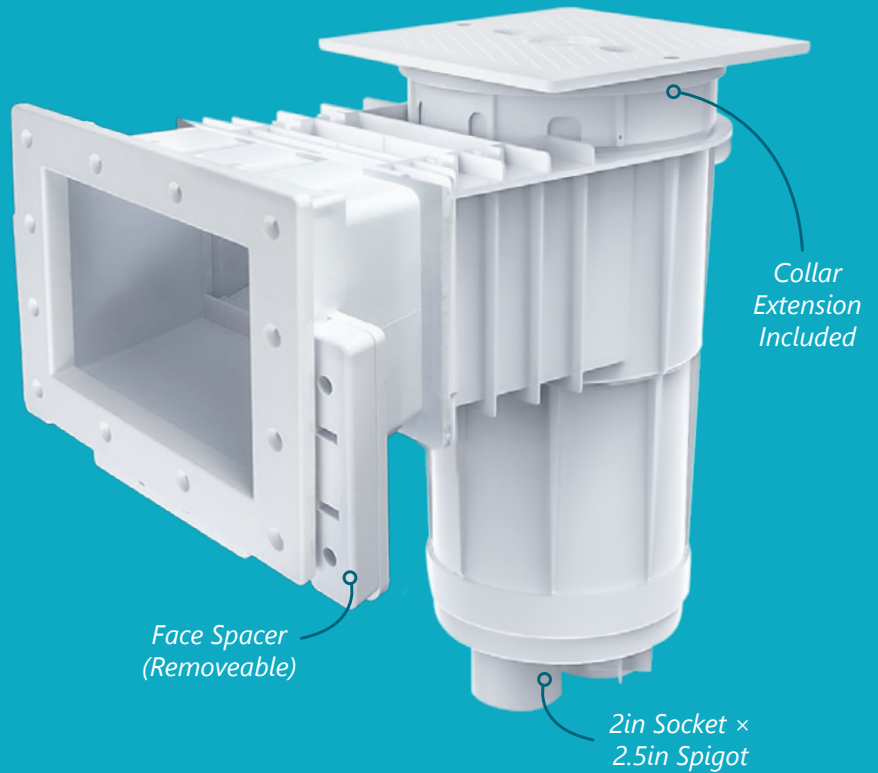
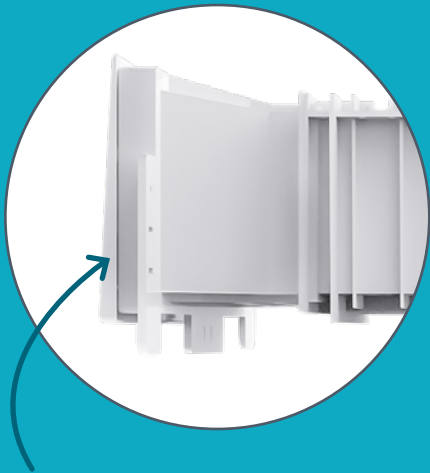
COVERED BY ONE OR MORE U.S. PATENTS OR PENDING PATENT APPLICATIONS. SEE WWW.C-M-P.COM/PATENTS FOR DETAILS.

VINYL & FIBERGLASS POOL SKIMMERS

VINYL AND FIBERGLASS SKIMMERS INCLUDE ALL UPGRADED FEATURES

DELUXE MODELS ALSO INCLUDE:

- Skimmer Vacuum Plate
- Matching Faceplate Cover



OPTIONAL FIBERGLASS LEVELING SPACER

3 Degree Leveling Spacer Shim for Angled Fiberglass Pool Walls (sold separately)

- Adjust Leveling for Angled Walls
- Each Spacer adds 3°
- Stack Multiple Shims to Increase Angle

VINYL & FIBERGLASS SKIMMER ORDERING GUIDE

WHITE	GRAY	DARK GRAY	PORTS	STYLE	COVER	DESCRIPTION
25160-010-000N	25160-011-100N	—	2	REGULAR	SQUARE	VINYL LINER SKIMMER
25160-020-000N	25160-021-100N	—	2	REGULAR	ROUND	VINYL LINER SKIMMER
25160-230-000N	25160-231-100N	—	1	REGULAR	SQUARE	VINYL LINER SKIMMER
25160-010-001N	25160-011-101N	—	2	REGULAR	SQUARE	FIBERGLASS SKIMMER
25160-110-000N	25160-111-100N	25160-117-700N	2	WIDE MOUTH	SQUARE	VINYL LINER SKIMMER
25160-110-200N	—	—	2	WIDE MOUTH	SQUARE	DELUXE VINYL LINER SKIMMER
25160-240-000N	25160-241-100N	—	1	WIDE MOUTH	SQUARE	VINYL LINER SKIMMER
25160-210-000N	—	—	2	WIDE MOUTH	SQUARE	EXTENDED THROAT VINYL LINER SKIMMER
25160-000-007	—	—	N/A	N/A	N/A	LEVELING SPACER

ACCESSORIES

SKIMMER COVERS & COLLARS

A



B



C



REF	WHITE	GRAY	BLACK	TAN	DESCRIPTION	BOX QTY
A	25538-500-000N	—	—	—	SQUARE SKIMMER COVER ONLY	—
A	25538-900-000N	25538-901-000N	—	25538-909-000N	SQUARE SKIMMER COVER & COLLAR	20
B	25544-000-000N	25544-001-000N	—	—	ROUND SKIMMER COVER ONLY	50
B	25544-900-000N	25544-901-000N	—	—	ROUND SKIMMER COVER & COLLAR	50
C	25526-200-000	25526-201-000	25526-204-000	25526-209-000	1-1/4" STACKABLE COLLAR	20

SKIMMER VAC PLATES

E



F



G



H



I



REF	CMP P/N	DESCRIPTION	HOSE PORT SIZE	COMPARE TO
E	25573-100-000	DELUXE CMP IN GROUND SKIMMER VAC PLATE	1.5" SOCKET	—
F	25573-510-000	STRAIGHT SKIMMER VAC PLATE	1.5" RIBBED BARB	SP11051
—	21093-160-000	1.5" × 1.5" RB HOSE ADAPTER ONLY	1.5" RIBBED BARB	—
G	25573-540-000	STRAIGHT SKIMMER VAC PLATE	1.5" × 1.25" SOCKET	SP11054
H	25573-520-000	90 DEGREE SKIMMER VAC PLATE	1.5" × 1.25" SOCKET	SP11052
—	21093-900-000	90 DEGREE HOSE ADAPTER ONLY	1.5" × 1.25" SOCKET	—
I	25573-410-000	90 DEGREE SKIMMER VAC PLATE, TWIST STYLE	1.5" × 1.25" SOCKET	SP11041

