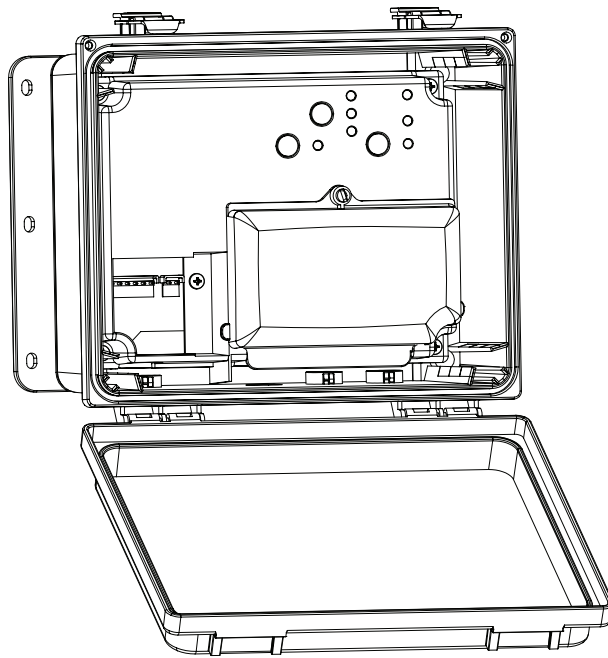




INTELLICONNECT™ CONTROL AND MONITORING SYSTEM



INSTALLATION GUIDE

IMPORTANT SAFETY INSTRUCTIONS
READ AND FOLLOW ALL INSTRUCTIONS
SAVE THESE INSTRUCTIONS



CUSTOMER SERVICE / TECHNICAL SUPPORT

If you have questions about ordering Pentair Aquatic Systems replacement parts, and pool products, please contact:

Customer Service and Technical Support, USA

(8 A.M. to 4:30 P.M. — Eastern/Pacific Times)

Phone: (800) 831-7133

Fax: (800) 284-4151

Web site

Visit www.pentairpool.com or www.staritepool.com for information about Pentair products.

Sanford, North Carolina (8 A.M. to 4:30 P.M. ET)

Phone: (919) 566-8000

Fax: (919) 566-8920

Moorpark, California (8 A.M. to 4:30 P.M. PT)

Phone: (805) 553-5000 (Ext. 5591)

Fax: (805) 553-5515

TABLE OF CONTENTS

| | | | |
|--|----------|---|----------|
| Important Warning and Safety Instructions | ii | Initial App Setup | 5 |
| Introduction | 1 | Pairing IntelliConnect with WiFi Devices | 5 |
| Enclosure Overview | 1 | App Signup and Login | 5 |
| Control Panel Overview | 1 | Device Pairing to Link ₂ O App | 6 |
| Buttons and LEDs | 1 | Enabling Device Pages | 6 |
| Pre-Installation | 2 | Technical Data | 7 |
| Enclosure Location and Installation Guidelines | 2 | Wiring Diagram | 7 |
| Testing Wireless Signal Strength | 2 | Replacement Parts | 7 |
| Installation | 3 | | |
| Mounting the Enclosure | 3 | | |
| Connecting the Enclosure to Power and Internet | 3 | | |
| Wiring the System Relays | 3 | | |
| Wiring System Components to the IntelliConnect | 4 | | |
| Connecting a Single Speed Pump | 4 | | |
| Connecting a Booster Pump | 4 | | |
| Connecting a Pool Light | 4 | | |
| Connecting an IntelliChlor or iChlor Salt Chlorine Generator | 4 | | |
| Connecting an IntelliFlo Pump | 4 | | |
| Testing the Relays | 4 | | |

IMPORTANT WARNING AND SAFETY INSTRUCTIONS

READ AND FOLLOW ALL WARNING AND SAFETY INSTRUCTIONS



SERIOUS BODILY INJURY OR DEATH CAN RESULT IF THIS PRODUCT (UNIT) IS NOT INSTALLED AND USED CORRECTLY.



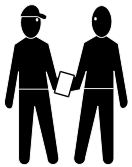
INSTALLERS, POOL OPERATORS AND POOL OWNERS MUST READ THESE WARNINGS AND ALL INSTRUCTIONS BEFORE USING THIS PRODUCT. This Guide provides installation and operation instructions for the product. Consult Pentair Water Pool and Spa, Inc. (“Pentair”) with any questions regarding this product.



This product is intended for use in swimming pool applications only.



Most states and local codes regulate the construction, installation, and operation of public pools and spas, and the construction of residential pools and spas. It is important to comply with these codes, many of which directly regulate the installation and use of this product. Consult your local building and health codes for more information.



IMPORTANT NOTICE - Attention Installer: This Installation Guide (“Guide”) contains important information about the installation, operation and safe use of this product. This Guide should be given to the owner and/or operator of this equipment.

Attention User: This Guide contains important information that will help you in operating and maintaining this product. Please retain it for future reference.



Before installing this product, read and follow all safety warning notices and instructions which are included. Failure to follow safety warnings and instructions can result in severe injury, death, or property damage. Call (800) 831-7133 for additional free copies of these instructions.

This product is designed and manufactured for safe and reliable service when installed, operated and maintained according to the information and installation codes referred to in this Guide.



This is a safety alert symbol. When you see this symbol in this manual or on the product, look for one of the following signal words; DANGER, WARNING, CAUTION and NOTICE and comply with the information. Be alert to the potential hazard. Ensure to read and comply with all of the warnings and cautions in this manual.

Risk of Electrical Shock or Electrocution!

- Always disconnect power at the circuit breaker before servicing the enclosure or equipment connected to the enclosure.
- Improper installation can create an electrical shock hazard that can result in death or serious injury.



This product must be installed by a licensed or certified electrician or a qualified pool professional in accordance with the current National Electrical Code (NEC), NFPA 70 or the Canadian Electrical Code (CEC), CSA C22.1. All applicable local installation codes and ordinances must also be adhered to. Improper installation will create an electrical hazard which could result in death or serious injury to pool users, installers or others due to electrical shock, and may also cause damage to property. Always disconnect the power to the pool light at the circuit breaker before servicing the light.

Failure to do so could result in death or serious injury to serviceman, pool users or others due to electrical shock.

IMPORTANT WARNING AND SAFETY INSTRUCTIONS

⚠ DANGER



Water temperature in excess of 100° F (37.7° C) may be hazardous to your health. Prolonged immersion in hot water may induce hyperthermia. Hyperthermia occurs when the internal temperature of the body reaches a level several degrees above normal body temperature of 98.6° F (37° C.). Effects of hyperthermia include: (1) Unawareness of impending danger. (2) Failure to perceive heat. (3) Failure to recognize the need to leave the spa. (4) Physical inability to exit the spa. (5) Fetal damage in pregnant women. (6) Unconsciousness resulting in danger of drowning. The use of alcohol, drugs, or medication can greatly increase the risk of fatal hyperthermia in hot tubs and spas.

⚠ WARNING

A pool or spa pump must be installed by a qualified pool and spa service professional in accordance with the current National Electrical Code and all applicable local codes and ordinances. Improper installation may create an electrical hazard which could result in death or serious injury to pool users, installers, or others due to electrical shock, and may also cause damage to property.

⚠ WARNING

The use of alcohol, drugs, or medication can greatly increase the risk of fatal hyperthermia in hot tubs and spas.

⚠ WARNING

Do not use this product to control an automatic pool cover. Swimmers may become entrapped underneath the cover.

⚠ WARNING

For units intended for use in other than single-family dwellings, a clearly labeled emergency switch shall be provided as part of the installation. The switch shall be readily accessible to the occupants and shall be installed at least five (5) feet (1.52 m) away, adjacent to, and within sight of, the unit.

⚠ WARNING

Except for listed spa-side remote controls, install a minimum of five (5) feet (1.52 m) from the inside wall of the pool and spa.

⚠ WARNING

The electrical supply for this product must include a suitably rated switch or circuit breaker to open all ungrounded supply conductors to comply with the current National Electrical Code (NEC), NFPA 70 or the Canadian Electrical Code (CEC), CSA C22.1. All applicable local installation codes and ordinances must also be adhered to.

⚠ WARNING

Use only copper supply conductor's rated for 60C/75C sized based on ampacity to support all loads (refer to NEC tables).

For information about the Virginia Graeme Baker Pool and Spa Safety Act, contact the Consumer Product Safety Commission at (301) 504-7908 or visit www.cpsc.gov.

NOTE: Always turn off all power to the pool pump before installing the cover or working on any suction outlet.

RF Exposure Requirements: The antenna(s) used for this device must be installed to provide a separation distance of at least 7.0 inches (20 cm) from all persons and must not be co-located or operating in conjunction with any other antenna or transmitter.

L'antenne (s) utilisé pour cet appareil doit être installé pour fournir une distance de séparation d'au moins (20 cm) à partir de toutes les personnes et ne doit pas être co-localisés ou fonctionner en conjonction avec une autre antenne ou un autre émetteur.

IMPORTANT WARNING AND SAFETY INSTRUCTIONS

FCC Standard - 47 CFR Part 15, Subpart C (Section 15.247). This version is limited to chapter 1 to chapter 11 by specified firmware controlled in the U.S.A.

Instruction to user - This equipment has been tested and found to comply with the limits for a Class B digital device, pursuant to Part 15 of the FCC Rules. These limits are designed to provide reasonable protection against harmful interference in a residential installation. This equipment generates, uses and can radiate radio frequency energy and, if not installed and used in accordance with the instructions, may cause harmful interference to radio communications. However, there is no guarantee that interference will not occur in a particular installation. If this equipment does cause harmful interference to radio or television reception, which can be determined by turning the equipment off and on, the user is encouraged to try to correct the interference by one or more of the following measures:

- Reorient or relocate the receiving antenna.
- Increase the separation between the equipment and receiver.
- Connect the equipment into an outlet on a circuit different from that to which the receiver is connected.
- Consult the dealer or an experienced radio/TV technician for help.

Note: In order to maintain compliance with FCC regulations, shielded cables must be used with this equipment. Operation with non-approved equipment or unshielded cables is likely to result in interference to radio and TV reception. The user is cautioned that changes and modifications made to the equipment without the approval of the manufacturer could void the user's authority to operate this equipment.

Canada - Industry Canada (IC) Regulatory Notice: - This device complies with RSS210 of Industry Canada. (1999).

Under Industry Canada regulations, this radio transmitter may only operate using an antenna of a type and maximum (or lesser) gain approved for the transmitter by Industry Canada. To reduce potential radio interference to other users, the antenna type and its gain should be so chosen that the equivalent isotropically radiated power (e.i.r.p.) is not more than that necessary for successful communication. This device complies with Industry Canada licence-exempt RSS standard(s). Operation is subject to the following two conditions: (1) this device may not cause interference, and (2) this device must accept any interference, including interference that may cause undesired operation of the device.

Conformément à la réglementation d'Industrie Canada, le présent émetteur radio peut fonctionner avec une antenne d'un type et d'un gain maximal (ou inférieur) approuvé pour l'émetteur par Industrie Canada. Dans le but de réduire les risques de brouillage radioélectrique à l'intention des autres utilisateurs, il faut choisir le type d'antenne et son gain de sorte que la puissance isotrope rayonnée équivalente (p.i.r.e.) ne dépasse pas l'intensité nécessaire à l'établissement d'une communication satisfaisante. Le présent appareil est conforme aux CNR d'Industrie Canada applicables aux appareils radio exempts de licence. L'exploitation est autorisée aux deux conditions suivantes : (1) l'appareil ne doit pas produire de brouillage, et (2) l'utilisateur de l'appareil doit accepter tout brouillage radioélectrique subi, même si le brouillage est susceptible d'en compromettre le fonctionnement.

IMPORTANT WARNING AND SAFETY INSTRUCTIONS

General Installation Information

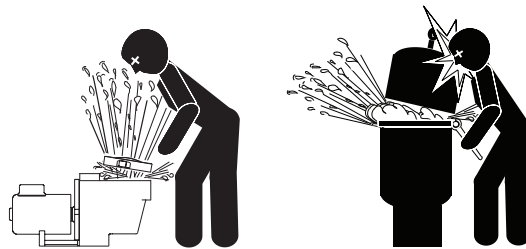
1. All work must be performed by a licensed electrician or qualified pool professional, and must conform to all national, state, and local codes.
2. Install to provide drainage of compartment for electrical components.
3. This equipment is not provided with integral Ground Fault Circuit Interruptors (GFCI) protection. When this equipment is used to power or switch an underwater luminaire, suitable GFCI protection shall be provided in the field. Luminaire circuit conductors shall not occupy the conduit, boxes or enclosures with other circuits unless the other circuits are also GFCI protected.
4. The electrical supply for this product must include a suitably rated switch or circuit breaker to open all ungrounded supply conductors to comply with in accordance with the current National Electrical Code (NEC), NFPA 70 or the Canadian Electrical Code (CEC), CSA C22.1. All applicable local installation codes and ordinances must also be adhered to. The disconnecting means must be readily accessible to the tub occupant but installed at least 10 ft. (3.05 m) from the inside wall of the pool.

For Installation of Electrical Controls at Equipment Pad (ON/OFF Switches, Timers and Automation Power Center)

⚠ CAUTION

Install all electrical controls at equipment pad, such as on/off switches, timers, and control systems, etc. to allow the operation (start-up, shut-down, or servicing) of any pump or filter so the user does not place any portion of his/her body over or near the pump strainer lid, filter lid or valve closures. This installation should allow the user enough space to stand clear of the filter and pump during system start-up, shut down or servicing of the system filter.

CAUTION! INSTALL POWER CENTER TO ALLOW USER ENOUGH SPACE TO STAND CLEAR OF PUMP AND FILTER WHEN SERVICING.



HAZARDOUS PRESSURE: STAND CLEAR OF PUMP AND FILTER DURING START-UP

INTRODUCTION

IntelliConnect™ Control and Monitoring System provides control of high voltage (120/240 VAC) equipment, pumps, lighting and chlorinators. Pool and spa operations can be controlled through a mobile device or computer, or manually controlled from the outdoor control panel housed inside the enclosure at the pool equipment pad.

Enclosure Overview

- Dimensions: 8-1/8" H x 12-1/8" W x 5-3/8" D
- Separate high voltage and low voltage wiring compartments with 1/2" conduit knockouts. One knockout for incoming power to power the unit and one knockout for each relay and a webbed low voltage cable snap bushing.
- Control, Monitoring and Scheduling via mobile device or computer
- Two 20 Amp 2HP relays
- 120/240V

Control Panel Overview

Buttons

Mode: Cycles through Auto, Service and Timeout modes

Relay 1: Activates system component that is wired to Relay 1 on the control board. When pressed, the system will enter Service Mode.

Relay 2: Activates system component that is wired to Relay 2 on the control board. When pressed, the system will enter Service Mode.

LEDs

Auto: Control via mobile devices or computer is allowed

Service: Control via mobile devices or computer is prevented

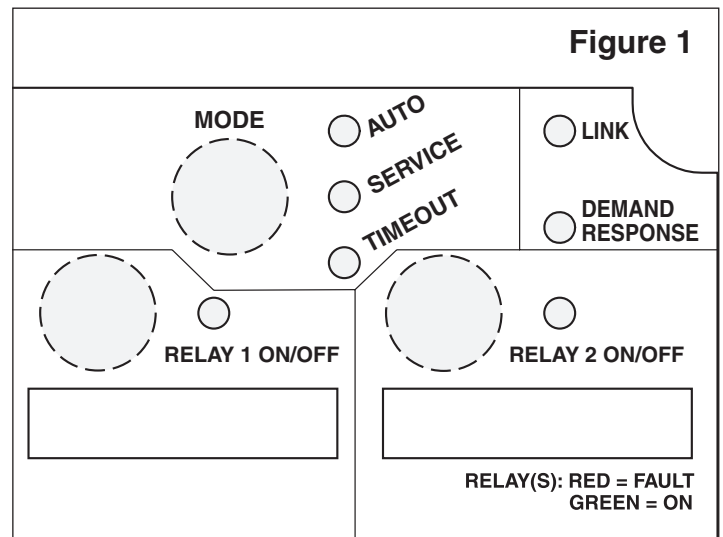
Timeout: Control via mobile devices or computer is prevented for three (3) hours

Link: Green when wireless connection is active; blinks red when a router connection can not be found; solid red when an internet connection can not be found.

Demand Response: Red when a "Demand Response" event has been activated by the electrical utility. Homeowner must contact the utility to participate.

Relay 1 On/Off: Green when Relay 1 is active; red when a fault involving Relay 1 is detected.

Relay 2 On/Off: Green when Relay 2 is active; red when a fault involving Relay 2 is detected.



PRE-INSTALLATION

Enclosure Location and Installation Guidelines

Before installing the IntelliConnect™ Control and Monitoring System enclosure, read the following guidelines carefully:

1. Before permanent installation, test the WiFi signal strength at the location where the enclosure will be installed.
2. If possible, minimize the number and volume of obstacles that may block the signal to the enclosure.
3. All electrical equipment, except for UL Listed spa-side remote switches, must be installed no fewer than five (5) feet (1.5 m), [in Canada, 3 m (9.75 ft.)] from pool and/or spa, and comply with all national, state, and local codes.
4. Install the enclosure no less than five (5) feet (1.5 m) from the inside wall of the pool, spa and/or hot tub.
5. The installation shall allow the user enough space to stand clear of the filter and pump during system start-up.
6. The TYPE 4X “Rainproof” enclosure can be mounted outside or inside of a pool equipment shed or other enclosure.
7. Before choosing the final location for the enclosure, consider the length of all of the conductors that will have to be connected to the enclosure. Make sure to consider cable lengths for the sensors to the enclosure location.
8. Mount the enclosure on a flat vertical surface so the conduit knockouts are located at the bottom of the enclosure. Side brackets are provided to mount the enclosure.
Note: DO NOT mount the enclosure horizontally. Water can enter the conduit knockouts and cause damage to the system and present an electrical shock hazard. Install with conduit knockouts facing towards the ground.
9. Motors should be listed for pool and spa applications and have built-in thermal protection.
10. Allow unobstructed access to the front of the enclosure for the owner and service personnel.
11. Grounding wires coming into the enclosure must be with appropriately sized wire nuts (not included).

Testing Wireless Signal Strength

Before permanently installing the enclosure you may wish to temporarily wire 120 volts to the unit and test the WiFi signal at the proposed installation location.

1. When the enclosure is powered, successfully paired to the homeowner's router (see *Pairing IntelliConnect to WiFi Devices*, page 5) and has a good connection, the LINK LED on the enclosure inside front panel will turn solid green. This indicates that the unit is receiving a signal.
Note: When the unit is first powered on, the LINK LED will temporarily blink green. This does not mean that the unit has connected to the router. Only a solid green LINK LED indicates a successful connection.
2. If the LINK LED is blinking red this indicates that either the signal from the router is not strong enough or the enclosure has not yet been properly paired. The signal strength may be improved by:
 - a. Moving the router to a position that minimizes the distance and obstructions between it and the enclosure.
 - b. Repositioning the enclosure so that the distance and obstructions between it and the wireless router are minimized.
 - c. Purchasing and installing a WiFi range extender to bridge the WiFi signal between the router and IntelliConnect enclosure.
3. Continue to test the signal strength until the LINK LED turns solid green.

Mounting the Enclosure

Mount the IntelliConnect™ Control and Monitoring System enclosure on a flat vertical surface, such as a wall or post at eye level.

Note: The enclosure must be at least 5 ft. (1.5 m), (in Canada, 3 m [9.75 ft]) from the inside wall of the pool, spa and/or hot tub.

1. Position the enclosure against a vertical flat surface. If wall anchors are being used, support the enclosure in position (horizontally level and square) against the surface and mark the bracket hole pattern on the wall.
2. Secure the enclosure with two (2) screws in both sides of the mounting bracket holes (see **Figure 2**). If using wall anchors, drill and set the anchors and secure the enclosure with screws.

Connecting the Enclosure to Power and Internet

Some pool equipment requires connection to ground fault circuit breakers (GFCI). Check all current local and NEC (CEC) codes to determine specific requirements. For recommended field conductor gauge usage, refer to the circuit breaker label.

Note: Wiring to Enclosure: 14 AWG minimum copper conductors for relays and other equipment sized according to the amps used.

1. Open the enclosure by unfastening the two retaining clips at the top of the enclosure. See **Figure 3**.
2. Remove the retaining screw securing the high voltage wiring compartment cover (see **Figure 3**) and remove the high voltage cover.
3. Bring 120/240V power into the high voltage wiring compartment and wire to screw terminals marked L1 and L2 (see **Figure 4**).

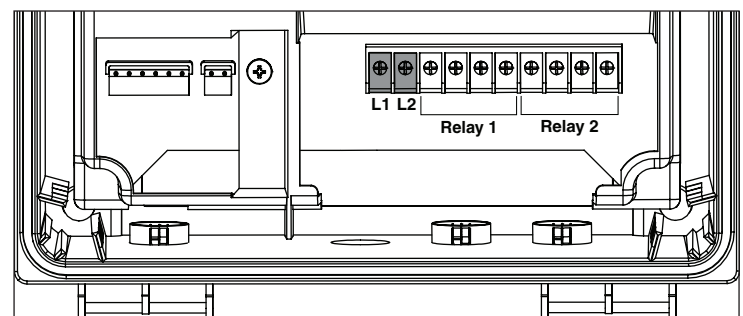
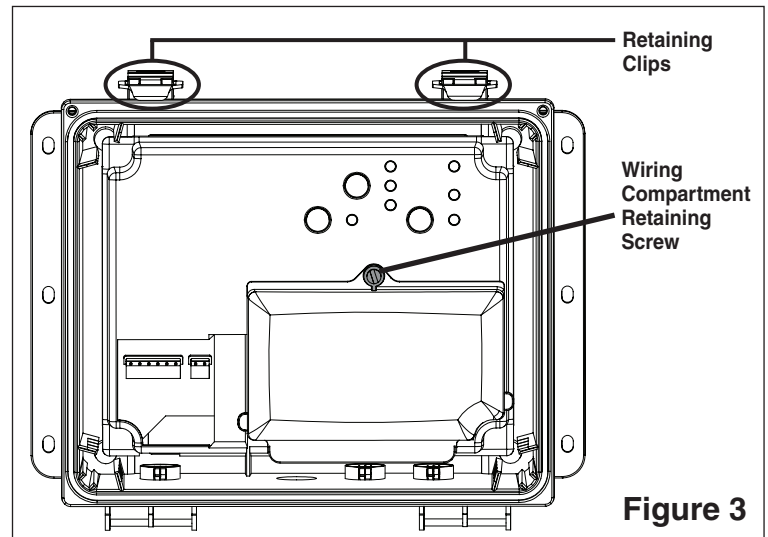
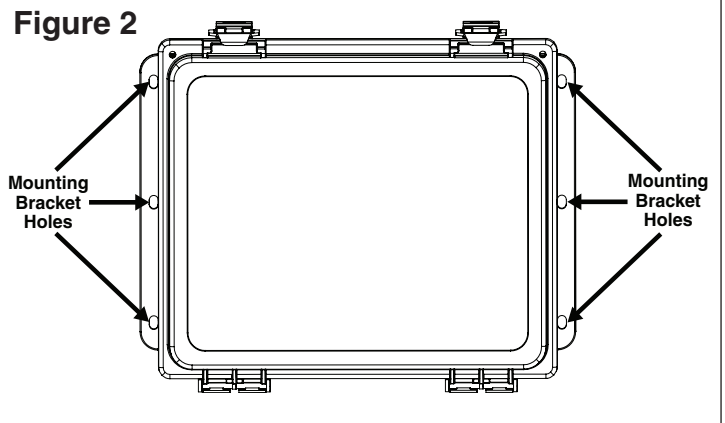
⚠ WARNING



ALWAYS ensure the high voltage cover is installed and secured to the wiring compartment before powering on this equipment. Powering on this equipment while the high voltage cover is removed can lead to electrical shock.

Wiring the System Relays

1. Bring 120/240V into the high voltage wiring compartment and wire to LINE1 and LINE2 to power Relay 1.
2. Send power out from LOAD1 and LOAD2 to the system component that you wish to have on Relay 1.
3. If needed, repeat steps 6 and 7 to connect a system component to Relay 2.
4. After electrical connections have been completed reinstall the high voltage wiring compartment cover and secure with screw. Close the enclosure's front cover and fasten the two retaining clips.



Wiring System Components to the IntelliConnect

The IntelliConnect™ Control and Monitoring System enclosure includes two pre-installed relays (Relay 1 and Relay 2) and an RS-485 terminal block. These relays and terminals support manual, scheduling and egg timer functions. They can be turned on and off via the mobile app and manually at the enclosure by placing the system in Service mode.

When a relay button is pressed inside the IntelliConnect enclosure, the system will automatically enter Service mode. The app cannot be used to remotely control the relays when the system is in Service mode.

Note: IntelliConnect must be in Auto mode for the app to be able to send commands to IntelliConnect.

Connecting a Single Speed Pump

A single speed pump will be wired to one of the two Relay terminals on the high voltage side of the enclosure (see **Figure 5**). Relay output is rated at 120 VAC, 16 AMP maximum and at 240 volts 15 AMP maximum. Check the electrical rating marked on the pump motor before connecting it to the system.

The user will identify the single speed pump in the app as the Filter Pump, if it is indeed the filtration pump.

Connecting a Booster Pump

A booster pump will be wired to one of the two Relay terminals on the high voltage side of the enclosure (see **Figure 5**). Relay output is rated at 120 VAC, 16 AMP maximum and at 240 volts 15 AMP maximum. Check the electrical rating marked on the pump motor before connecting it to the system.

The user will identify the booster pump in the app as the Booster Pump.

Connecting a Pool Light

A pool light will be wired to one of the two Relay terminals on the high voltage side of the enclosure (see **Figure 5**). Relay output is rated at 120 VAC, 16 AMP maximum and at 240 volts 15 AMP maximum. Check the electrical rating marked on the light housing before connecting it to the system.

The user will identify the pool light in the app as the Light.

Connecting an IntelliChlor® or iChlor® Salt Chlorine Generator (SCG)

A salt chlorine generator will be wired to one side of the RS-485 terminal on the low voltage side of the enclosure (see **Figure 5**).

Be sure to check each conductor color between the salt chlorine generator and the enclosure's RS-485 terminal block.

Connecting an IntelliFlo Pump

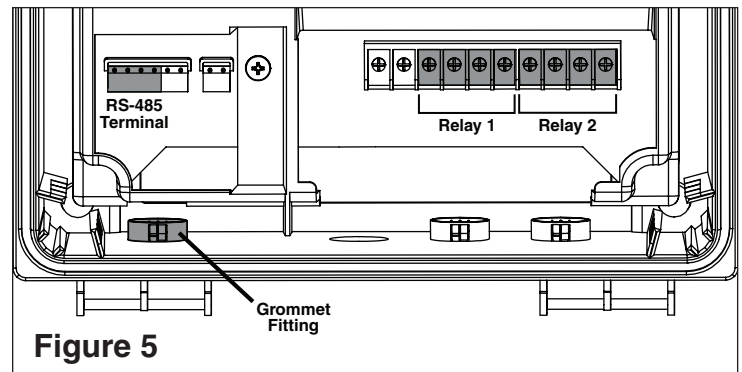
Each IntelliFlo® Variable Speed Pump is shipped with a 50 ft. (15.2m) low voltage, RS-485 communication cable. The IntelliFlo pump will be wired to one side of the RS-485 terminal (see **Figure 5**) using this cable.

Note: The IntelliFlo should be wired with constant power from a GFCI breaker.

To wire the IntelliFlo pump communication cable to IntelliConnect:

1. Switch OFF power to enclosure at the main circuit breakers.
2. Run the RS-485 communication cable from the pump to the enclosure.
3. Insert the cable conductors into the left-most grommet fitting (**Figure 5**) in the bottom of the enclosure and pull the cable into the low voltage wiring compartment.
4. Strip back the outer jacket of the communication cable by one (1) inch, exposing the two (2) conductors. Strip back each conductor ¼-inch.
5. Insert the conductors into the RS-485 terminal block (see **Figure 5**) and secure the individual wires in their corresponding slots.

Note: Multiple conductors may be inserted into a single screw terminal.



Testing the Relays

Write the component name in the space provided under the relay buttons and LEDs.

Press the Relay 1 button and the IntelliConnect system will enter service mode. Press the Relay 2 button and verify function. **Press the MODE button to set the system in "AUTO" mode when done.**

Note: In Auto Mode, if a booster pump or a flow dependent device is connected to either relay then the pump relay will be activated for two (2) minutes before the flow dependent relay turns on.

If the filter pump relay detects a low power condition, the relay LED will turn red indicating a fault, and the flow dependent relay will not activate. This helps prevent damage to the system or flow dependent device in no flow situations.



INITIAL APP SETUP

Pairing IntelliConnect with WiFi Devices

IntelliConnect™ Control and Monitoring System can be paired with, and controlled from, either a smartphone/tablet or computer.

New users can download the Link₂O™ Technology to their smartphone or tablet from the app store or access from a computer at www.MyLink2O.com.

The smartphone, tablet or computer you wish to use to pair the IntelliConnect with the homeowner's router must be within range of the enclosure during the pairing processes described below.

1. Disconnect power to the IntelliConnect enclosure for 10 seconds, and then return power to the unit to activate an access point for 15 minutes.
2. Open your smartphone or tablet WiFi settings.
To open WiFi Settings on smartphones or tablets: Go to Settings>WiFi or Settings>Connections>WiFi.
To open WiFi Settings on computers: Click on the WiFi icon [ or ] in the desktop system tray.
3. You should see an available access point titled "IntelliConnectPIFxxxxxx". Select this access point to connect to IntelliConnect.
4. Open your smartphone, tablet or computer's web browser.
5. Type **192.168.123.1** into the address bar and press enter. This will take you to the pairing page.
6. Select your home router from the drop down SSID list and enter your router password into the security key field. See **Figure 6**.
Note: Passwords are case sensitive.
Note: If your home router does not display in the SSID drop down list and the LINK LED is solid red, the router may be too far from the IntelliConnect enclosure to receive a strong enough signal. Refer to Step 2 of *Testing the Wireless Signal Strength* on page 2 for suggestions for correcting this issue.
7. Press Connect.
8. Once the IntelliConnect has successfully paired to your home router the enclosure's LINK LED will turn green.

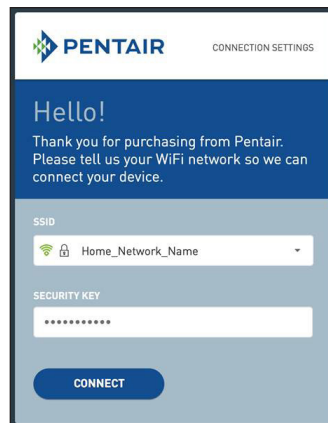


Figure 6

App Signup and Login

1. New users will need to create an account to control their pool system with IntelliConnect. This can be done through the hyperlink at the bottom of the login page. See **Figure 7**.
2. Log in as a customer via the Link₂O client. See **Figure 7**.
3. After logging in, the Home Screen and welcome message will display.

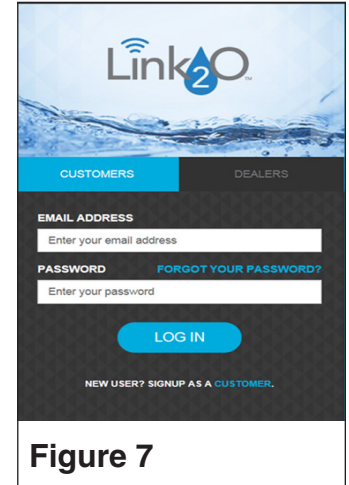


Figure 7

Device Pairing to Link₂O App

1. Access the Devices tab at the top of the screen. See **Figure 8**.
2. Press the Add New Device button at the bottom of this screen. See **Figure 8**.
3. The Product Information screen will display. This screen allows you to input your system information.

Enter all the required information for your IntelliConnect system. Your specific Device ID can be found inside the enclosure on the bottom left of the control panel overlay (see the dashed box in **Figure 9**).

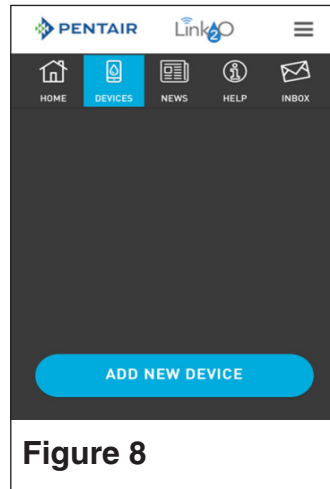


Figure 8

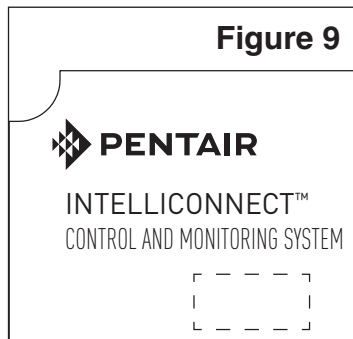


Figure 9

Enabling Device Pages

1. From the home screen, press the tab for the device you wish to set up.

In this example we will be editing "John's Pool". See **Figure 10**.

Note: If the status of the device tab you wish to edit is "OFFLINE" and the LINK LED is solid red, there is a issue with the internet connection. Ensure your router is connected to the internet and disconnect power from the IntelliConnect for 10 seconds then reconnect.

2. The Device Details screen will display.

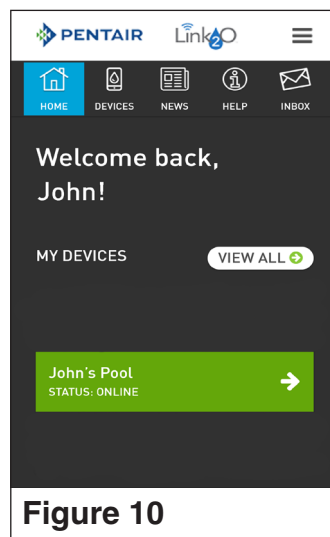


Figure 10

3. System components wired to the IntelliConnect will not initially show up on this screen. To show all wired system components, slide the "Show Disabled Devices" toggle to ON position. See **Figure 11**.
4. Press the device tab you wish to enable. In this example we will enable the IntelliFlo pump page.
5. The IntelliFlo pump page will display.
6. To activate the IntelliFlo page, slide the "Enable Page" toggle to the ON position.
7. Return to the Device Details screen by pressing the Hub Details tab at the top of the page.
8. The IntelliFlo tab will now display blue, signifying an active page. See **Figure 12**.
9. Repeat steps 4-6 as necessary to enable the pages for each system component wired to your IntelliConnect
10. You may now slide the "Show Disabled Devices" toggle back into the OFF position to hide device tabs for equipment that is not wired to the IntelliConnect.

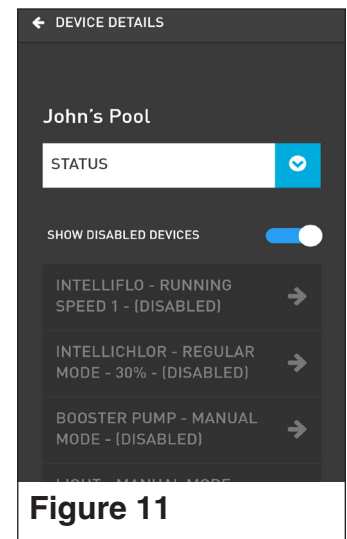


Figure 11

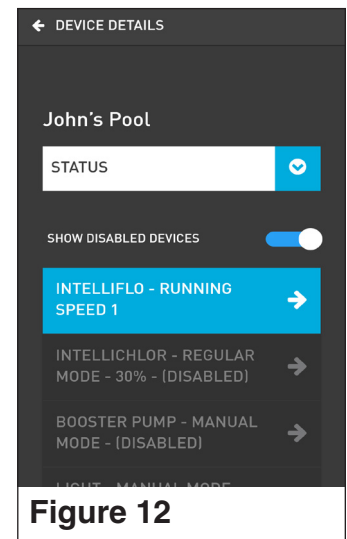
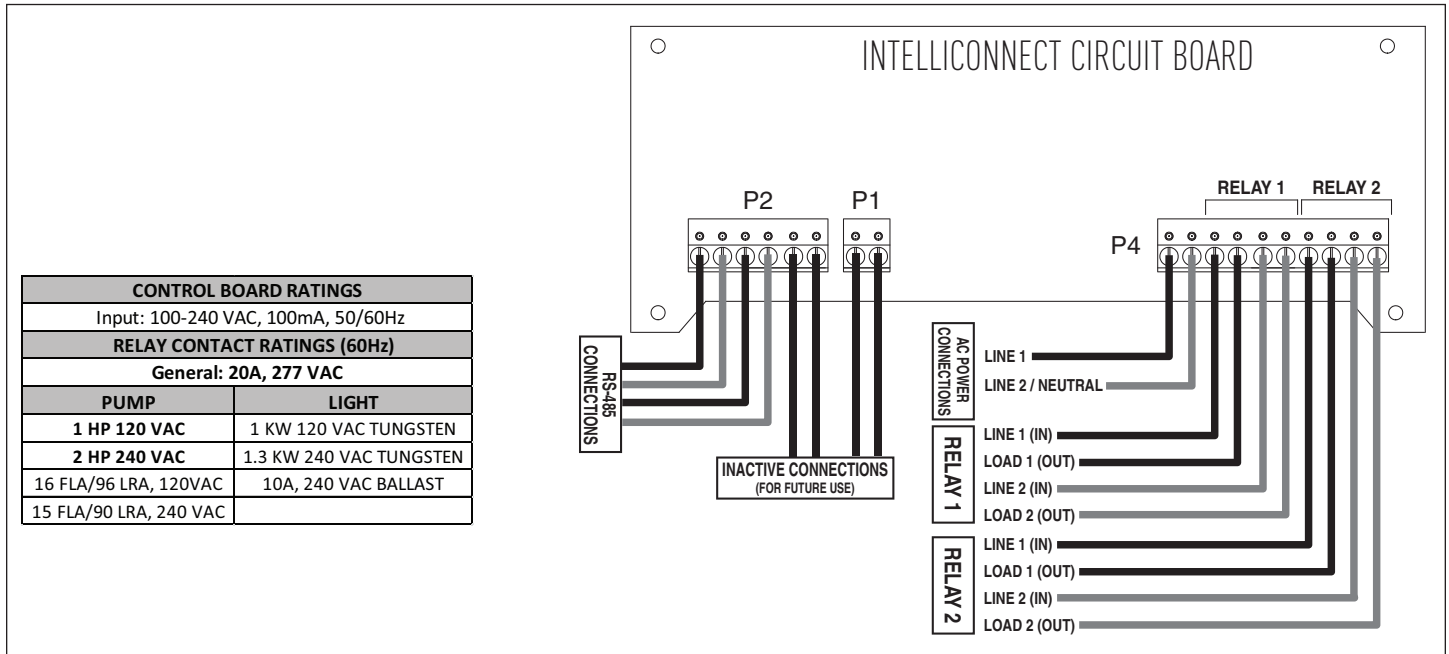


Figure 12

TECHNICAL DATA

Wiring Diagram



Replacement Parts

| P/N | Description |
|--------|--|
| 523327 | IntelliConnect Control Board Replacement Kit |

NOTES



1620 HAWKINS AVE., SANFORD, NC 27330 • (919) 566-8000
10951 WEST LOS ANGELES AVE., MOORPARK, CA 93021 • (805) 553-5000
WWW.PENTAIRPOOL.COM

All Pentair trademarks and logos are owned by Pentair or one of its global affiliates. IntelliConnect™, Link₂O™, IntelliFlo®, IntelliChlor®, iChlor® and Eco Select® are trademarks and/or registered trademarks of Pentair Water Pool and Spa, Inc. and/or its affiliated companies in the United States and/or other countries. Unless expressly noted, names and brands of third parties that may be used in this document are not used to indicate an affiliation or endorsement between the owners of these names and brands and Pentair Water Pool and Spa, Inc. Those names and brands may be the trademarks or registered trademarks of those third parties. Because we are continuously improving our products and services, Pentair reserves the right to change specifications without prior notice. Pentair is an equal opportunity employer.

© 2018 Pentair Water Pool and Spa, Inc. All rights reserved. This document is subject to change without notice.



P/N 523338 REV. A 2/23/18