



WWW.CORONALIGHTING.COM

1633 Staunton Ave
Los Angeles, CA 90021

TEL. FAX.

(800) 727-9262 (800) 727-9957
(213) 747-4500 (213) 747-3234

ARCHITECTURAL GRADE SERIES

SPECIFICATION SHEET

E-Mail: sales@coronalighting.com

PRODUCT # : CL-525B-GM

• Directional Lights

• Cast Brass

Fixture Specifications:

Housing & Shroud: Corrosion Resistant Cast Brass.

Finish: **GM- Gun Metal.** Natural toning process. GM finish will vary due to artistic process. **AB, BR,** and **SI** finishes also available.

Lens: Clear and heat resistant convex glass.

Socket: Top grade fixed ceramic bi-pin socket, with lamp retention clip to securely hold lamp in place.

Lamp: 12V, MR-16 halogen 50W max. L-BAB-C20 (20w) standard. LED lamps are also available. See lamp guide, below for more information.

Wiring: Fixture is prewired with a 3-ft 18-2 SPT2-W direct burial cord. Optionally, this fixture can be ordered with a 25-ft cord (**CL-525B-GM-25**). Universal connector (**CX-839**) or silicone filled wire nut (**CX-854**) may be ordered to Corona Lighting.

Gasket: Silicone double gasketed for water tight sealing

Knuckle: Adjustable cast brass knuckle with thumb screw and 1/2" NPT threaded male hub on bottom.

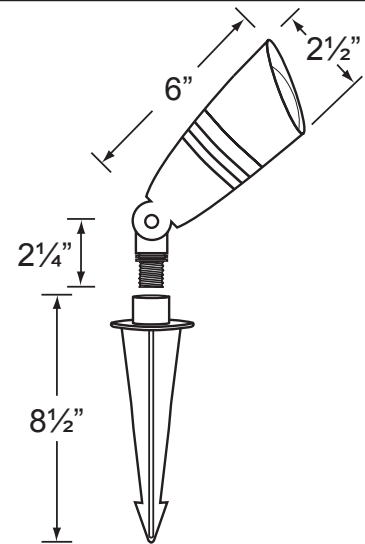
Mounting Spike: Standard injection molded spike with 1/2" NPT threaded female hub.

Electrical Notes: A remote 12V transformer required, may be ordered to Corona Lighting separately. Voltage range for 12V halogen lamps are 11V-12.5V. Voltage range for LED lamps are 9V-17V. Proper grease/lubricant is suggested on threaded parts during installation process.

Warranty: Limited lifetime warranty on fixture housing against manufacturer's defects.



3.5W and 5W



AVAILABLE LED LAMPS (Corona LED lamps have a five (5) year limited warranty against manufacturer's defects)

LAMP NUMBER	WATTS	BEAM		COLOR & TEMP.	RATED HOURS	HALOGEN EQUIVALENT
		SPREAD	LUMEN			
L-EDCOB5W-SP	5	15° Spot	450	2700K	50,000	50 Watt
L-EDCOB5W-FL	5	38° Flood	450	2700K	50,000	50 Watt
L-EDCOB5W-WF	5	60° Wide Flood	450	2700K	50,000	50 Watt
L-EDCOB5W-SP3K	5	15° Spot	470	3000K	50,000	50 Watt
L-EDCOB5W-FL3K	5	38° Flood	470	3000K	50,000	50 Watt
L-EDCOB5W-WF3K	5	60° Wide Flood	470	3000K	50,000	50 Watt
L-ED16-3W-FL	3.5	45° Flood	270	2700K	50,000	25 Watt
L-ED16-5W-FL	5	45° Flood	350	2700K	50,000	40 Watt
• COB means Chip on Board						
L-ED16-CR3W-SP	3.5	15° Spot	210	2700K	50,000	20 Watt
L-ED16-CR3W-FL	3.5	45° Flood	210	2700K	50,000	20 Watt
L-ED16-CR3W-WF	3.5	60° Wide Flood	210	2700K	50,000	20 Watt
L-ED16-CR5W-SP	5	15° Spot	270	2700K	50,000	35 Watt
L-ED16-CR5W-FL	5	45° Flood	270	2700K	50,000	35 Watt
L-ED16-CR5W-WF	5	60° Wide Flood	270	2700K	50,000	35 Watt
• CR shows CREE Brand						

JOB INFORMATION

TYPE: DATE:

JOB NAME & ADDRESS:

PRODUCT #:

TOTAL QUANTITY:

LAMP TYPE & WATTAGE:

TRANSFORMER:

CONTRACTOR:

SPECIFIER:

• When ordering LED lamp with a fixture your part number should follow the format below:

• **CL** - **product #** - **lamp** - **wattage** - **lamp angle** Example: CL-525B-GM-L-ED16-5W-FL
CL - 525B-GM - L-ED16 - 5W - FL

• Corona Lighting reserves the right to make any change and/or improvement to the design and construction of this fixture without further notification.