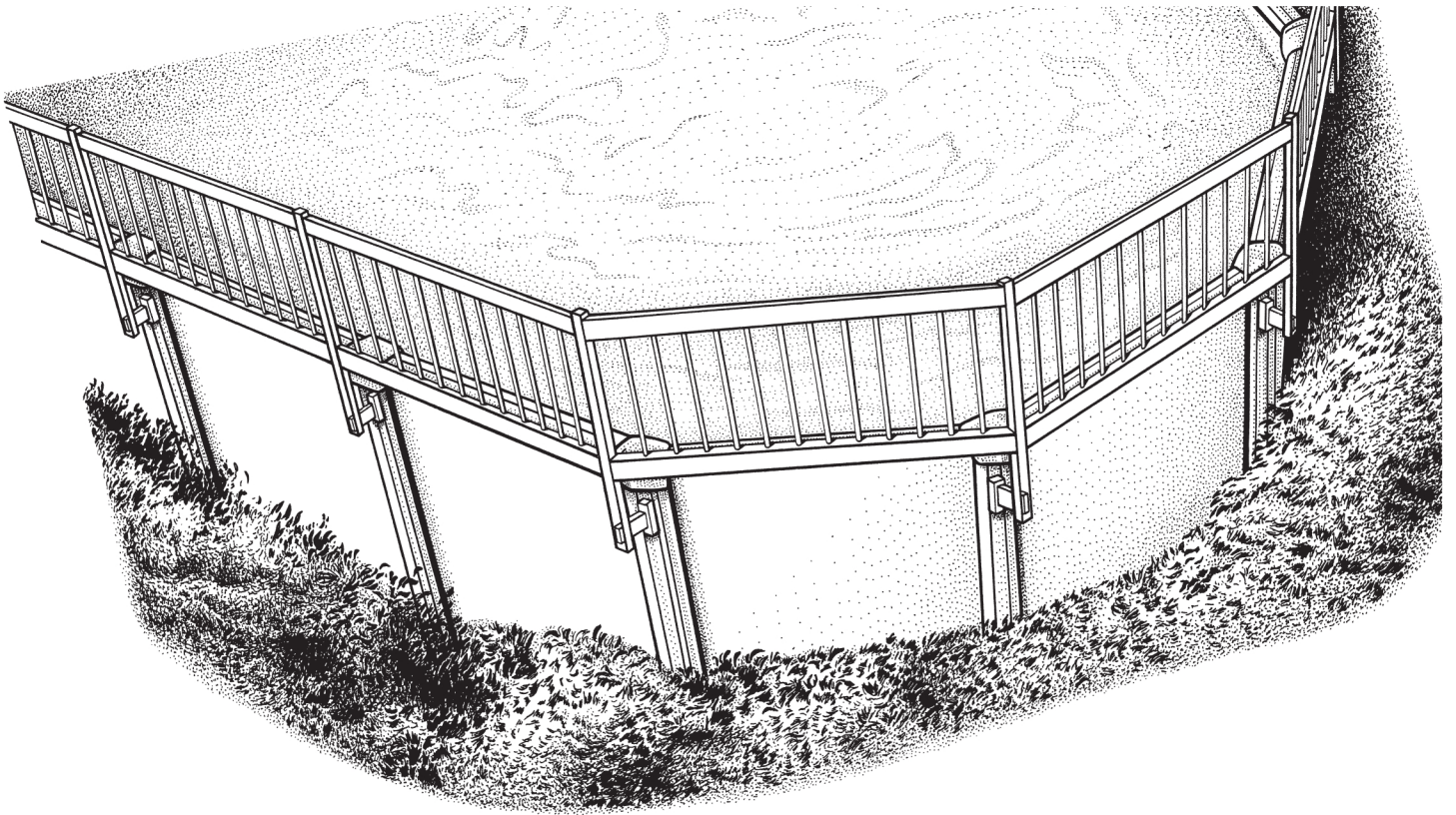


PROTECT-A-POOL[®]

ABOVE GROUND POOL FENCE

INSTALLATION INSTRUCTIONS



GLI POOL PRODUCTS 215 SINTER COURT YOUNGSTOWN, OH 44510
PH. 800-448-2343 • FAX 330-744-1228 • WWW.GLIPOOLPRODUCTS.COM

WARNING

THERE IS NO SUBSTITUTE FOR COMPETENT ADULT SUPERVISION IN THE SWIMMING POOL ENVIRONMENT! LIVES DEPEND ON YOU!

- Layers of protection such as a fence, wall or natural barrier around your pool can help reduce unauthorized use.
- Make sure pool entrance has a self-closing and self-latching gate and is properly maintained.
- Check with local building codes to be sure you are in compliance with fencing laws.

The PROTECT-A-POOL™ above ground pool fence is designed to meet the ANSI/NSPI - 1996 Model Barrier Code for Above-ground/On-ground swimming pools. The PROTECT-A-POOL™ above ground pool fence is not designed as a handrail for decking and does not meet handrail codes.

PREPARATION OF POOL

1. Inspect pool for irregularities that may interfere with the location of fence mounting brackets and posts. Locate skimmer to be sure it will not interfere with fence.
2. Recommended items need for installation: cordless or power drill with Phillips head screwdriver, saw, pencil and measuring tape.

FENCE INSTALLATION

STEP 1

Construct mounting brackets. Slide support into mounting base (DIAGRAM 1-A). Screw two #8 screws into each side of support attaching it to the mounting base (DIAGRAM 1-B). Support should be inserted flush to the backside of mounting base.

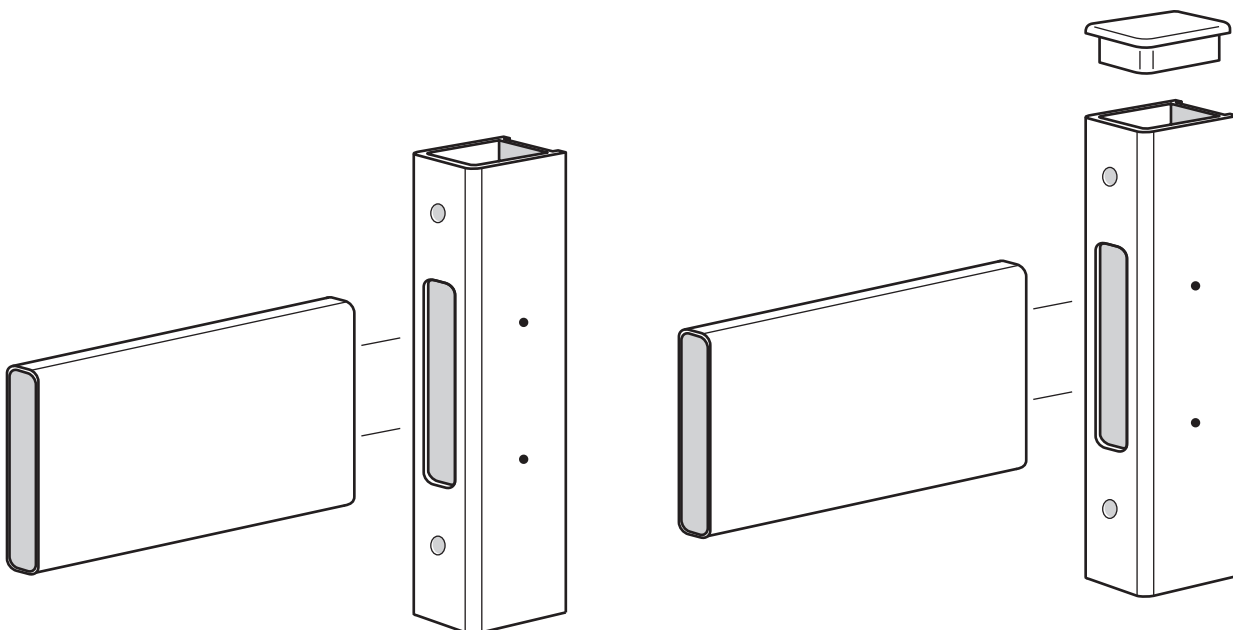


DIAGRAM 1-A

DIAGRAM 1-B

STEP 2-A

Install mounting bracket to each upright (DIAGRAM 2-A). When installing your fence, it is important that there is no more than a 4" gap between the pool's top rail and the bottom rail of fence. To determine location of mounting bracket, simply line up bracket with a fence post attached (slide fence post onto mounting bracket, but do not permanently attach fence post to mounting bracket as it will need to be removed), and measure gap between top rail of pool and bottom rail hole in the post. Anywhere between 0 and 4" gap is acceptable. Once location is determined, remove post and attach mounting bracket to upright using two #12 x 1" self-tapping screws.

Once installed, measure exact distance from the bottom of the top rail to the mounting bracket. Use that same measurement to determine location of remaining mounting brackets. It is important to take an accurate measurement as the levelness of the fence is determined by the location of the mounting bracket.

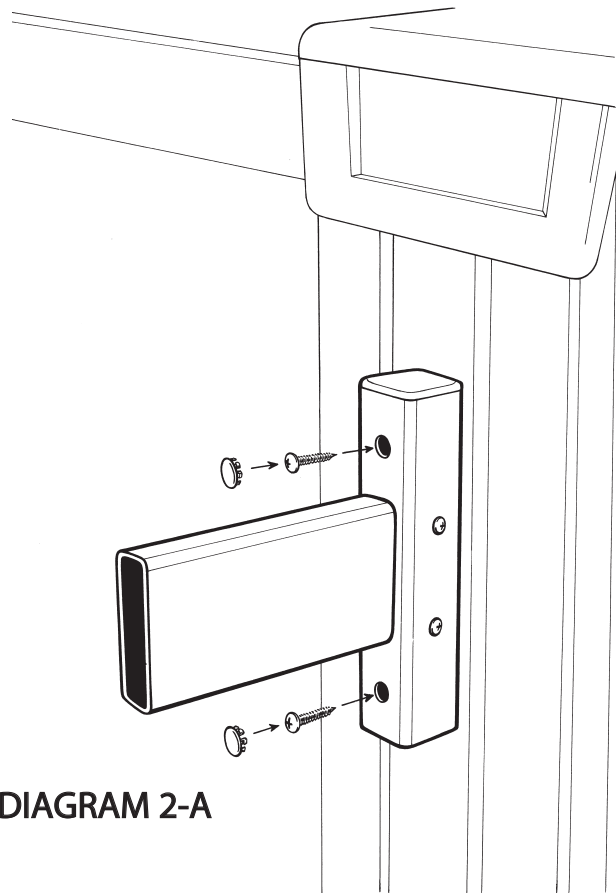


DIAGRAM 2-A

STEP 2-B

INSTALLATION OF "ARTIFICIAL UPRIGHT" TO INSTALL FENCE UP TO A-F-RAME LADDER OR DECK:

Requires one 4 x 4 wooden post and one 2" sheet-metal screw. Position ladder next to a pool upright so it can hold the fence on one side. Determine location for the "Artificial Upright" and dig a hole approximately 6" into the ground.

Measure from the bottom of hole to top of pool and cut the 4 x 4 post to fit the span. Place the 4 x 4 post into the ground so it fits snug to the pool wall. Attach the 4 x 4 to the pool structure by using one 2" sheet metal screw. Screw down through the top rail into the 4 x 4 wooden post. Fill in around the hole with remaining dirt. Continue by mounting support brackets to wooden post using instructions (2-A).

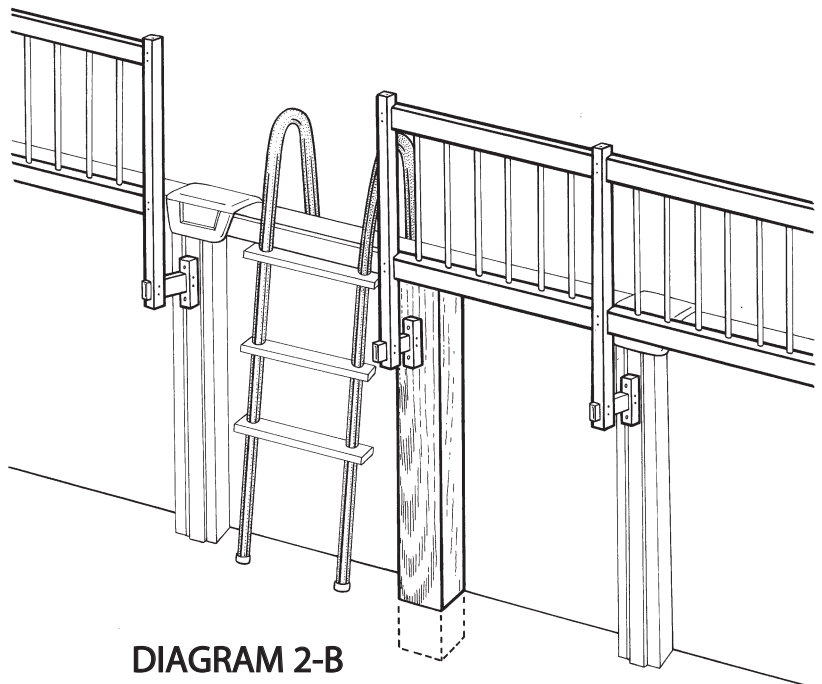


DIAGRAM 2-B

NOTE

Be sure the pool entrance has a self-closing and self-latching gate.

STEP 3

Install fence posts (DIAGRAM 3). Start by installing the two fence end-posts first. The end-posts are identifiable by having rail holes only on one side. Fence end-posts must be installed where fence will start and stop. Slide fence end-post onto the mounting bracket. Allow at least 1/2" between the post and the pool's top cap. This will allow for easy installation of winter cover. Attach fence post to mounting bracket using four #8 screws.

Continue by mounting remaining fence posts to mounting bracket.

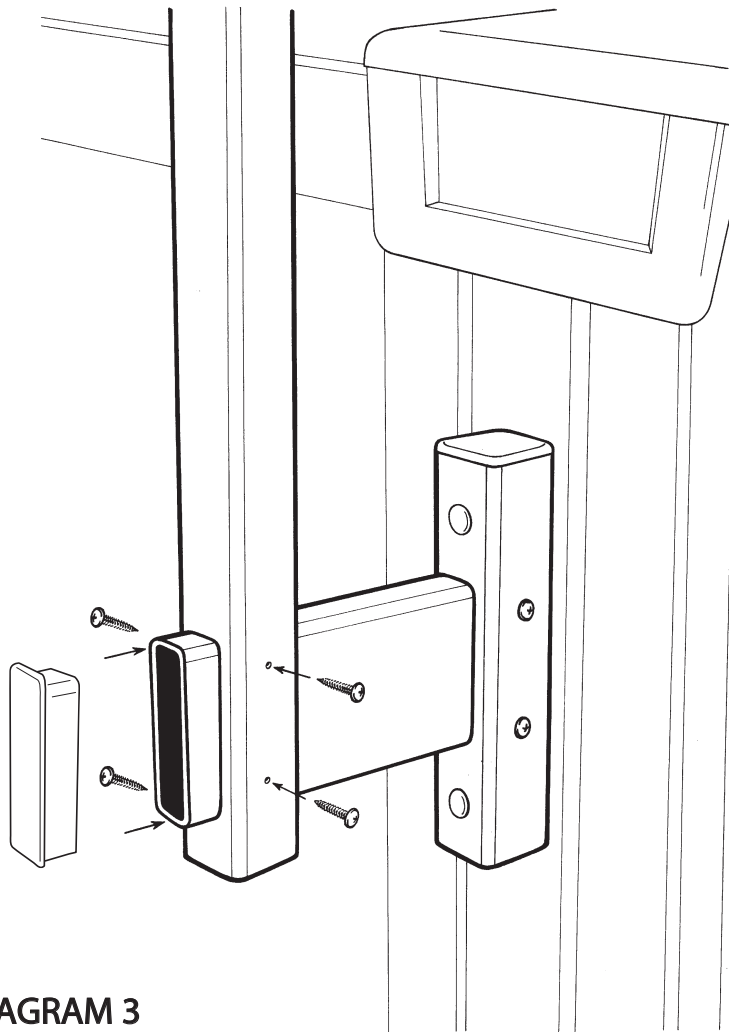


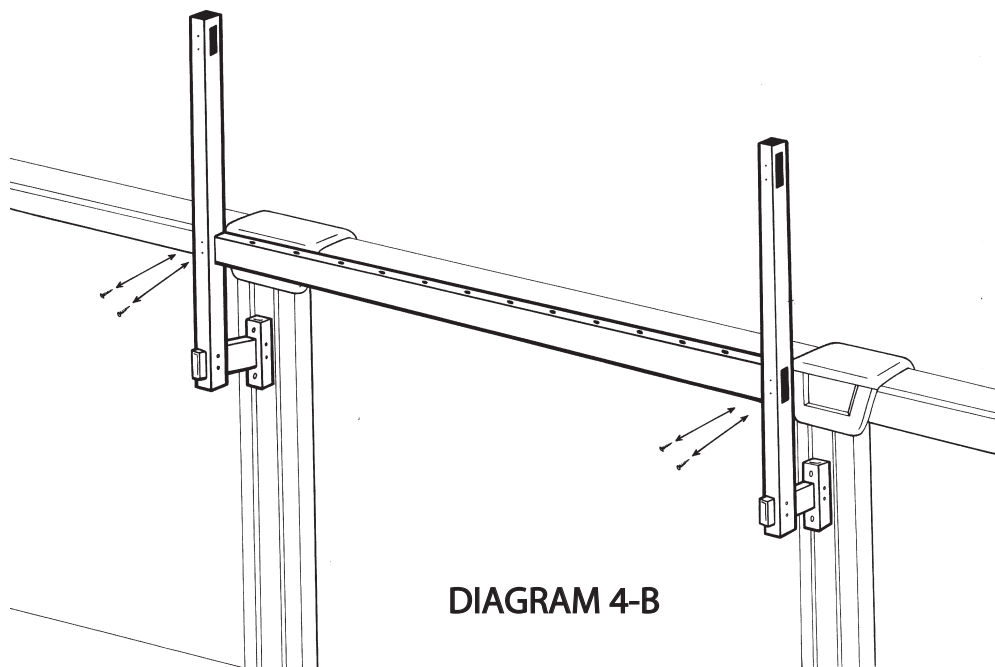
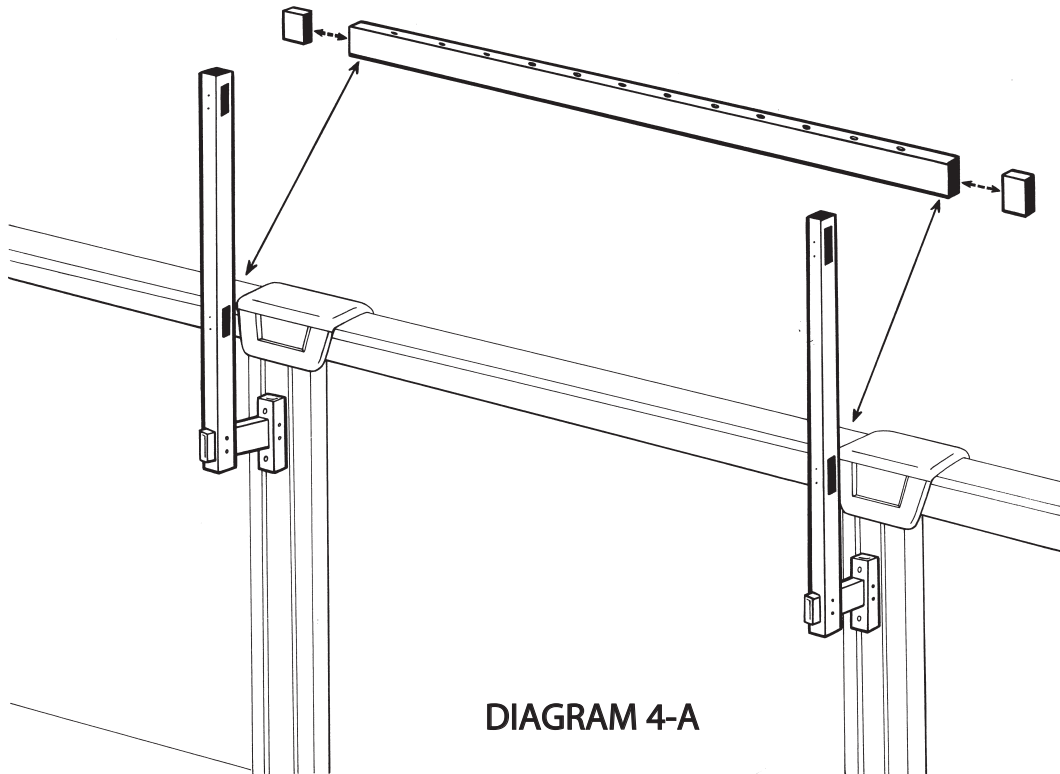
DIAGRAM 3

STEP 4

Installation of bottom horizontal rail. Measure distance between two fence posts and add 1" (DIAGRAM 4-A). Each side of bottom rail should extend 1/2" into each fence post. Cut bottom rail to this measurement. Note: cut equal amounts off each end of rail to ensure balanced spacing of spindles. **Do not install top rail yet!** Attach bottom rail to post using two #8 screws (DIAGRAM 4-B).

Do not cut more than one rail at a time. Distance between pool uprights may vary.

Continue by cutting and installing remaining bottom rails.



STEP 5

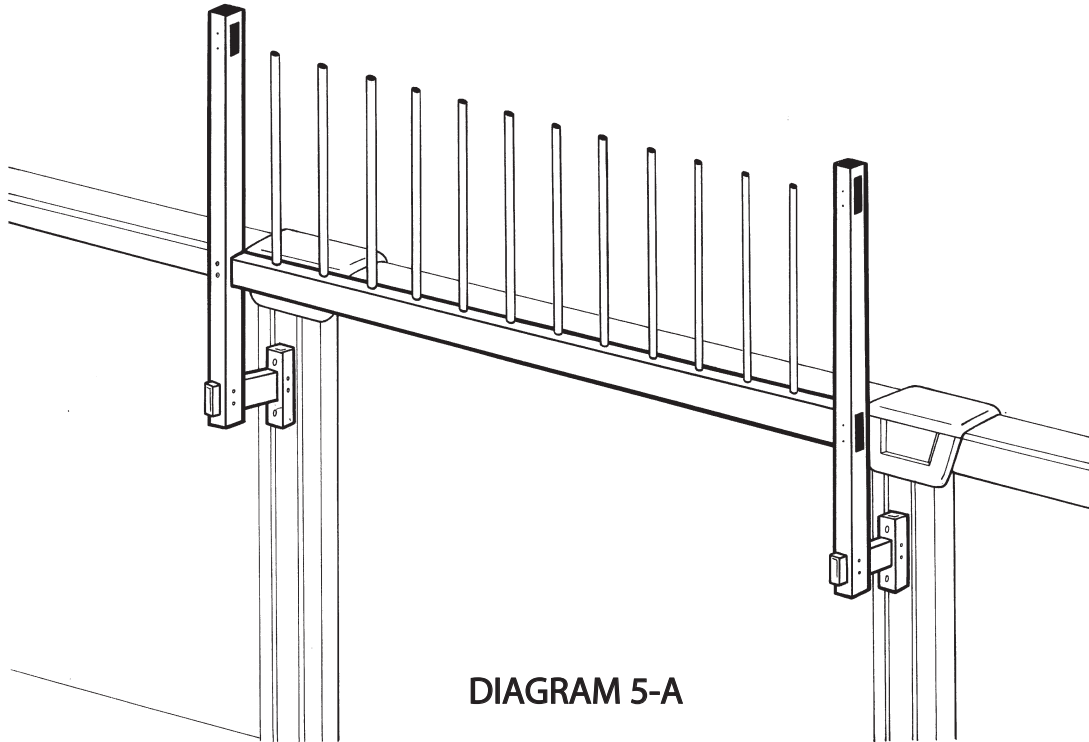


DIAGRAM 5-A

Insert spindles into the bottom rail

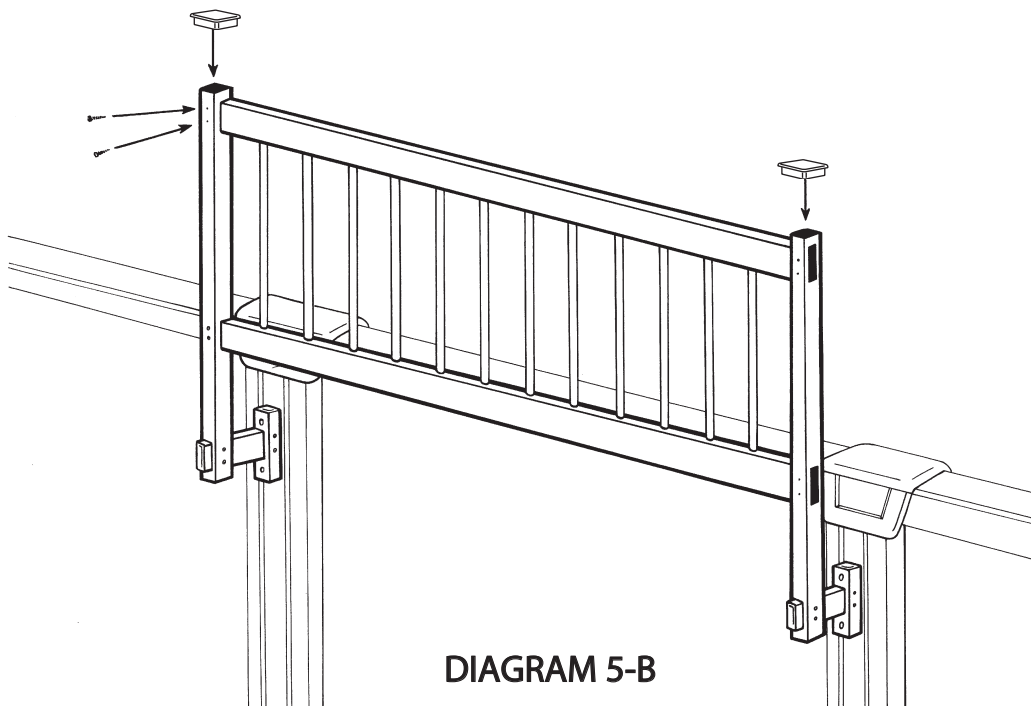


DIAGRAM 5-B

Install top rail using instruction in Step 4.

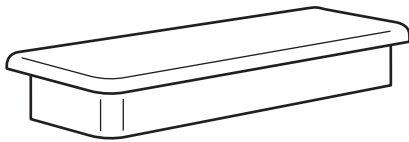
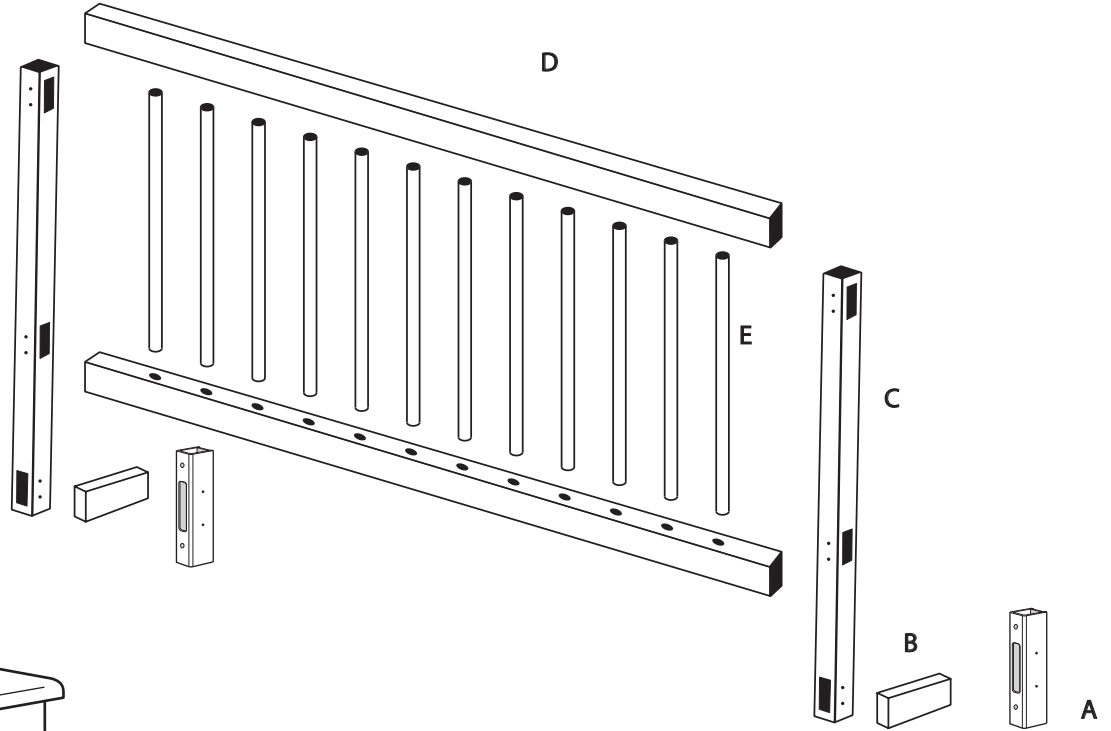
STEP 6

Insert all caps. If necessary, use adhesive such as Liquid Nails to hold caps in place.

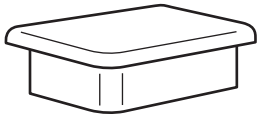
STEP 7

Check to be sure installation is secure by lightly shaking each section to be sure screws were properly installed.

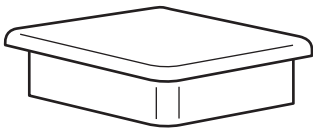
PARTS LIST



SUPPORT CAP



BASE SUPPORT CAP



POST CAP



#12 x 1" SCREW



#8 x ³/₄" SCREW



HOLE PLUG

BASE KIT "A" - 8 SECTIONS:

ITEM	DESCRIPTION	QUANTITY
	End-Posts	2
A	Support Assembly - Base	9
B	Support Assembly - Support	9
C	Posts	7
D	Rail	16
E	Spindles	96
Trim Kit	(1) Post Cap, (1) Base Support Cap, (1) Support Cap, (2) Hole Plugs	9 bags
Hardware Kit	(18) #12 X 1" Screws, (136) #8 X 3/4" Screws	1 bag

BASE KIT "B" - 8 SECTIONS:

ITEM	DESCRIPTION	QUANTITY
A	Support Assembly - Base	3
B	Support Assembly - Support	3
C	Posts	3
D	Rail	6
E	Spindles	36
Trim Kit	(1) Post Cap, (1) Base Support Cap, (1) Support Cap, (2) Hole Plugs	3 bags
Add-on Hardware Kit	(2) #12 X 1" Screws, (16) #8 X 3/4" Screws	3 bags

BASE KIT "C" - 8 SECTIONS:

ITEM	DESCRIPTION	QUANTITY
A	Support Assembly - Base	2
B	Support Assembly - Support	2
C	Posts	2
D	Rail	4
E	Spindles	24
Trim Kit	(1) Post Cap, (1) Base Support Cap, (1) Support Cap, (2) Hole Plugs	2 bags
Add-on Hardware Kit	(2) #12 X 1" Screws, (16) #8 X 3/4" Screws	2 bags